

# SHARP

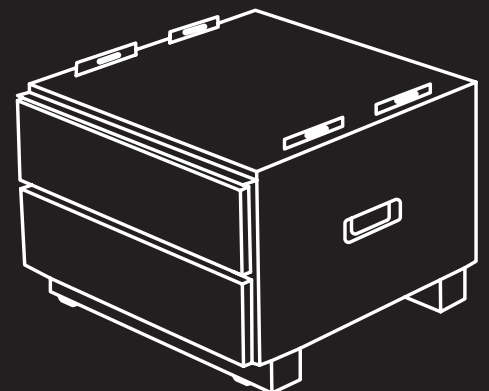
Microwave Drawer

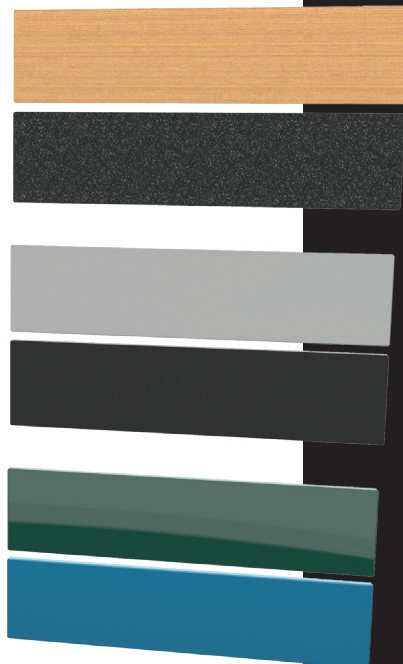
Under the Counter

Pedestal

SKMD24U0ES

SMART AND EASY KITCHEN SYSTEMS

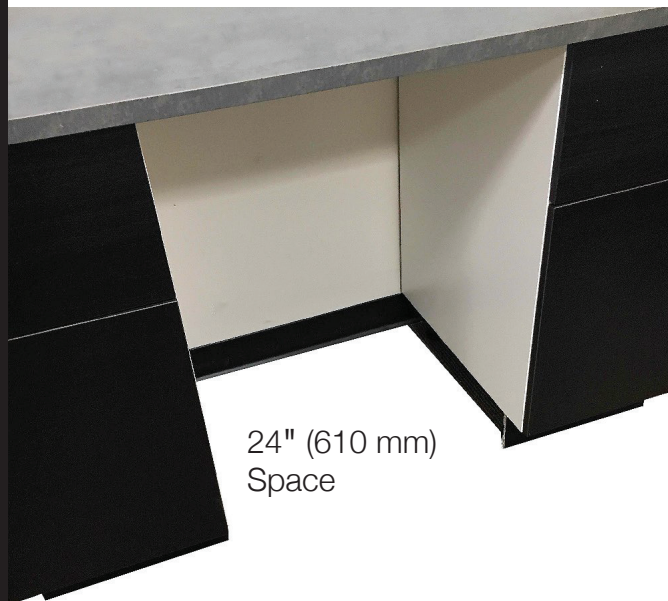




- Two Drawer Storage
- Stainless Steel  
Drawer Front
- Accepts Custom  
Front Drawer Panels
- Flexible Mounting Depth  
(including Flush)
- Push-To-Open Drawers
- 5.5" x 18.5" x 22"  
(140 mm x 470 mm x 560 mm)  
Drawer Storage
- Drawer Liners  
Included

## 1-2-3 INSTALLATION

1. Mount Microwave Drawer  
on top of pedestal.

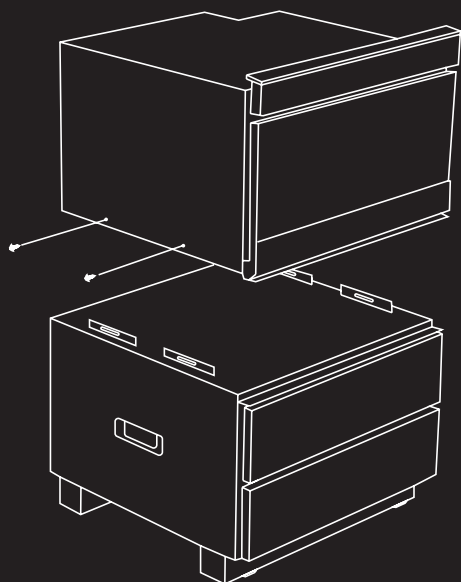


24" (610 mm)  
Space

2. Adjust height, plug in and  
push into position.



3. Secure unit with mounting  
screws and place toe kick  
into place. Enjoy!

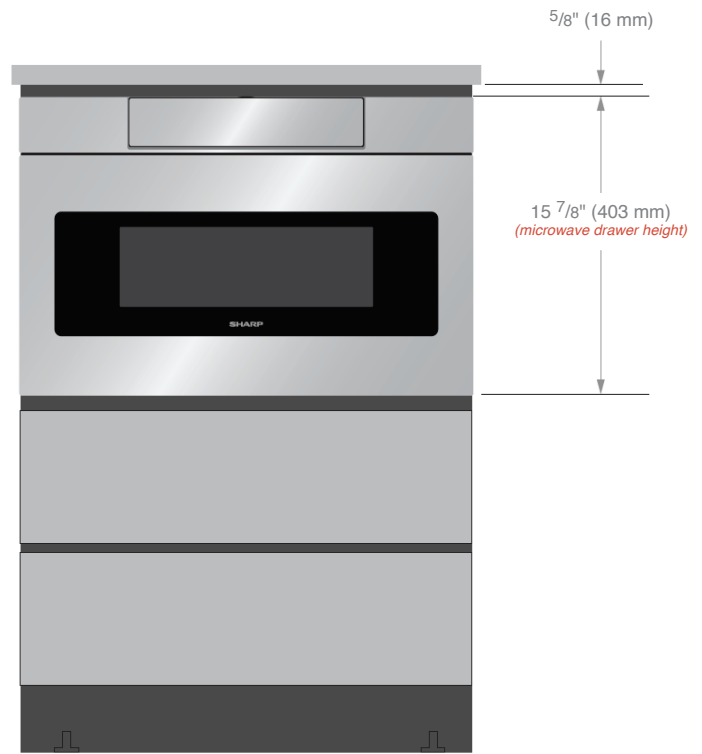




Can be paired with the following models:



SMD2480CS  
SMD2489ES



SMD2477AS  
SMD2477AH (Black Stainless Steel)\*  
\*Recommended custom drawer front panels.

## Model# SKMD24U0ES

|  |   |
|--|---|
| Description                            | Microwave Drawer Pedestal   |
| Category Size                          | 24" / 610 mm  |
| Color                                  | Stainless Steel (Drawer Front)  |
| Dimension W x D x H                    | 23 13/16" x 23 1/2" x (17 3/4" min. / 18 11/16" max.*)<br>605 mm x 597 mm x ( 451 mm min. / 474.7 mm max.*) |
| Mounting Location                      | Floor - Under the Counter   |
| Number of Drawers                      | 2   |
| Drawer Opening                         | Push to Open  |
| Inside Drawer Dimension                | 22" x 18.5" x 5.5" / 559 mm x 470 mm x 394 mm   |
| Drawer Face Custom Cabinet Replacement | Yes   |
| Drawer Liners                          | 2 - Black Mats  |
| Flush Mounting                         | Yes   |
| Additional Features                    | Adjustable Feet for Height  |

Cabinet cutout dimensions. Prepare the cabinet opening as shown below.

