

Over-the-Range Microwave Oven: SM01461GS INSTALLATION MANUAL

IMPORTANT SAFETY INSTRUCTIONS

BEFORE YOU BEGIN

Read all instructions thoroughly before installing the Over-the-Range Microwave Oven.

Note to Installer – Leave these instructions with the consumer.

- Skill level – Installation of this appliance requires basic mechanical and electrical skills. We recommend that two people install this microwave oven.
- Proper installation is the responsibility of the installer.
- Product failure due to improper installation is not covered under the warranty.
- If a new electrical outlet is required, its installation should be completed by a qualified electrician before the Over-the-Range Microwave oven is installed. See ELECTRICAL GROUNDING INSTRUCTIONS section.

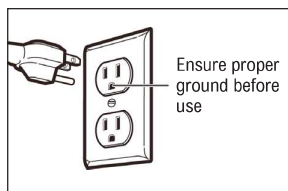
Note to Consumer – Keep these instructions for future reference.

- Save these instructions for local inspector's use.
- Observe all governing codes and ordinances.

ELECTRICAL GROUNDING INSTRUCTIONS

THIS APPLIANCE MUST BE PROPERLY GROUNDED TO AVOID SEVERE OR FATAL SHOCK. PLEASE READ CAREFULLY.

This appliance must be grounded. This oven is equipped with a cord having a grounding wire with a grounding plug. It must be plugged into a wall receptacle that is properly installed and grounded in accordance with the National Electrical Code and local codes and ordinances. In the event of an electrical short circuit, grounding reduces risk of electric shock by providing an escape wire for the electric current.



⚠ WARNING Improper use of the grounding plug can result in risk of electric shock.

The oven is equipped with a 3-prong grounding plug. **NEVER cut or remove the grounding pin from the plug.**

The Power Supply Cord and plug must be connected to a separate 120 Volt AC, 60 Hz, 15 Amp, or more branch circuit, single grounded receptacle. The receptacle should be located inside the cabinet directly above the Microwave Oven/Hood mounting location.

Note: If you have any questions about the grounding or electrical instructions, consult a qualified electrician or serviceperson. Neither Sharp nor the dealer can accept any liability for damage to the oven or personal injury resulting from failure to observe the correct electrical connection procedures.

⚠ CAUTION FOR PERSONAL SAFETY

- Remove the house fuse or open the circuit breaker before beginning installation to avoid severe or fatal shock injury.
- The mounting surface must be capable of supporting the cabinet load, in addition to the added weight of this 50-70 lb (22.6-31.7 kg) product, plus additional oven loads of up to 50 pounds (22.6 kg) for a total weight of 100-120 lb (45.2-54.3 kg).
- This product cannot be installed in cabinet arrangements such as an island or a peninsula. It must be mounted to BOTH a top cabinet AND a wall.
- For easier installation and personal safety, we recommend that two people install this microwave oven.

GENERAL INFORMATION





HOOD EXHAUST

Note: Read the next two pages only if you plan to vent your exhaust to the outside. If you plan to recirculate the air back into the room, proceed to page 6.

All ductwork must be metal. DO NOT use plastic duct. Check that all connections are made securely.

OUTSIDE TOP EXHAUST (EXAMPLE ONLY)

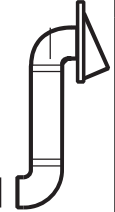
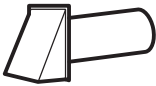


The following chart describes an example of one possible ductwork installation.

| | DUCT PIECES | EQUIVALENT LENGTH X NUMBER USED | EQUIVALENT LENGTH |
|--|---|---------------------------------|-------------------|
|  |  Roof Cap | 24 ft (7.3 m) x 1 | 24 ft (7.3 m) |
| |  12 ft. Straight Duct (6" Round) | 12 ft (3.7 m) x 1 | 12 ft (3.7 m) |
| |  Rectangular-to-Round Transition Adapter* | 5 ft (1.5 m) x 1 | 5 ft (1.5 m) |
| | Total Length | | 41 ft (12.5 m) |
| | Equivalent lengths of duct pieces are based on actual tests and reflect requirement for good venting performance with any vent hood. | | |

***IMPORTANT:** If a rectangular-to-round transition adapter is used, the bottom corners of the damper will have to be cut to fit, using the tin snips, in order to allow free movement of the damper.

OUTSIDE REAR EXHAUST (EXAMPLE ONLY)

The following chart describes an example of one possible ductwork installation.

| | DUCT PIECES | EQUIVALENT LENGTH X NUMBER USED | EQUIVALENT LENGTH |
|--|--|---------------------------------|-------------------|
|  |  Wall Cap | 40 ft (12.2 m) x 1 | 40 ft (12.2 m) |
| |  3 Ft. Straight Duct (3 1/4" x 6" Round) | 3 ft (91.4 cm) x 1 | 3 ft (91.4 cm) |
| |  90° Elbow | 10 ft (4 m) x 2 | 20 ft (6.1 m) |
| | Total Length | | 63 ft (19.2 m) |
| Equivalent lengths of duct pieces are based on actual tests and reflect requirement for good venting performance with any vent hood. | | | |

Note: Rear or horizontal exhaust is to be used. Care should be taken to align the exhaust with the space between the studs or the wall should be prepared at the time it is constructed by leaving enough space between wall studs to accommodate exhaust.

GENERAL INFORMATION

If you need to install ducts, note that the total duct length of 3 1/4" x 10" (8.3 x 25.4 cm) rectangular or 6" (15.2 cm) diameter round duct should not exceed 140 equivalent feet (42.7 m).

Outside ventilation requires a HOOD EXHAUST DUCT. Read the following carefully.

It is important that venting be installed using the most direct route and with as few elbows as possible. This ensures clear venting of exhaust and helps prevent blockages. Also, make sure dampers swing freely and nothing is blocking the ducts.

EXHAUST CONNECTION

The hood exhaust has been designed to connect with a standard 3 1/4" x 10" (8.3 x 25.4 cm) rectangular duct.

If a round duct is required, a rectangular-to-round transitioning adapter must be used. Do not use less than a 6" (15.2 cm) diameter duct.

MAXIMUM DUCT LENGTH





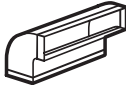
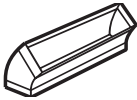


For satisfactory air movement, the total duct length of 3 1/4" x 10" (8.3 x 25.4 cm) rectangular or 6" (15.2 cm) diameter round duct should not exceed 140 equivalent feet.

ELBOWS, TRANSITIONS, WALL AND ROOF CAPS, ETC.

Elbows, adapters, wall and roof caps, etc. present additional resistance to air flow and are equivalent to a section of straight duct which is longer than their actual physical size. When calculating the total length, add the equivalent lengths of all transitions and adapters plus the length of all straight duct sections. The chart on the right shows the approximate measurement of equivalent length of some typical ductwork parts.



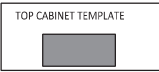
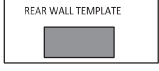


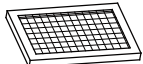
Use the values in the chart for calculating total ductwork, which should be less than 140 equivalent feet (42.7 m). Equivalent lengths of duct pieces are based on actual tests and reflect requirements for good venting performance with any vent hood.

IMPORTANT: If a rectangular-to-round transition adapter is used, the bottom corners of the damper will have to be cut to fit, using the tin snips, in order to allow free movement of the damper.



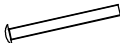




| DUCT PIECES | EQUIVALENT LENGTH X NUMBER USED | EQUIVALENT LENGTH |
|---|---------------------------------|-------------------|
| | EXAMPLE ONLY (VALUES) | |
|  Rectangular-to-Round Transition Adapter | 5 ft (1.5 m) x (1) | 5 ft (1.5 m) |
|  Wall Cap | 40 ft (12.19 m) x (1) | 40 ft (12.19 m) |
|  90° Elbow | 10 ft (3 m) x (1) | 10 ft (3 m) |
|  45° Elbow | 5 ft (1.5 m) x (1) | 5 ft (1.5 m) |
|  90° Elbow | 25 ft (7.6 m) x (1) | 25 ft (7.6 m) |
|  45° Elbow | 5 ft (1.5 m) x (1) | 5 ft (1.5 m) |
|  Roof Cap | 24 ft (7.3 m) x (1) | 24 ft (7.3 m) |
|  Straight Duct (3 1/4" x 6" Round) | 1 ft (30.5 cm) x (5) | 5 ft (1.5 m) |
| Example Total Ductwork | | 119 ft (36.3 m) |

GENERAL INFORMATION

PARTS INCLUDED

| PART NAME & PART CODE | | QTY. |
|---|--|------|
|  | Mounting Plate 9JZ213259000685 | 1 |
|  | Exhaust Adapter 9JZ213999001159 | 1 |
|  | Top Cabinet Template 9JZ525049000030 | 1 |
|  | Rear Wall Template 9JZ525049000042 | 1 |
|  | Installation Instructions TINSKB315MRR0 | 1 |
|  | Separately Packed Grease Filter 9JZ213999001028 | 2 |
|  | Charcoal Filter 9JZ213999001066 | 1 |



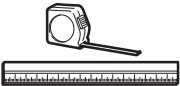


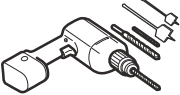




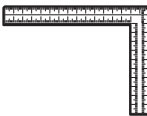


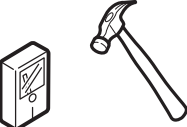
INSTALLATION ACCESSORIES

| PART NAME PART CODE 9JZ203129000066 | | QTY. |
|---|---|------|
|  | Lag Screw (1/4" x 2" / 0.63 x 5.1 cm) | 2 |
|  | Wing Nut | 2 |
|  | Toggle Bolt (3/16" x 3" / 0.5 x 7.6 cm) | 2 |
|  | Cabinet Mounting Bolt (1/4" x 3" / 0.6 x 7.6 cm) | 2 |
|  | Nylon Grommet (for metal cabinets) | 1 |
|  | Washer | 2 |
|  | Sheet Metal Screw | 2 |

You will find the installation accessories contained in a packet with the unit. Check to make sure you have all these parts.

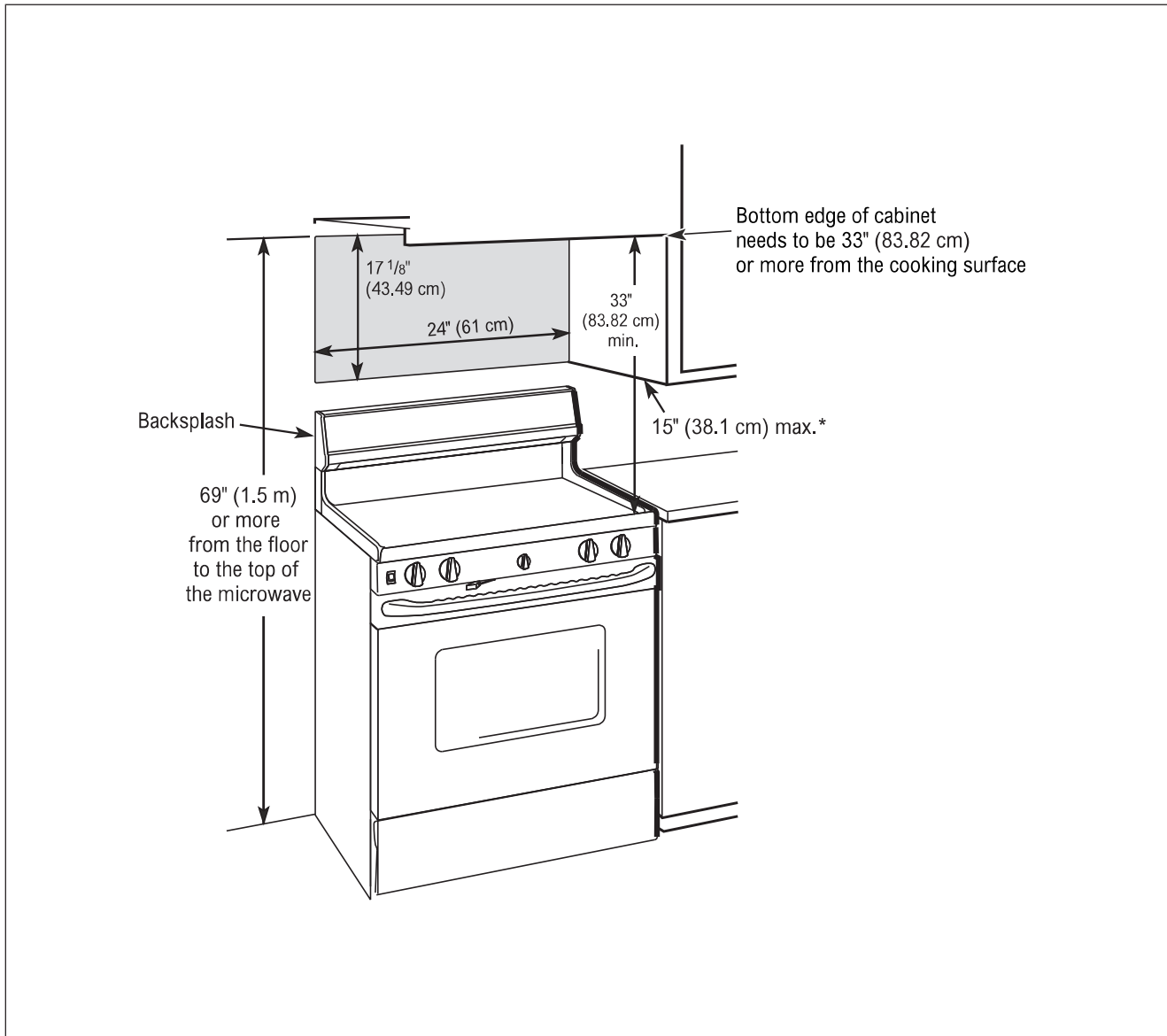
Note: Some extra parts are included.

TOOLS YOU WILL NEED

| | | |
|--|--|--|
|  |  |  |
| #1 and #2 Phillips screwdrivers | Pencil | Ruler or tape measure straight edge |
|  |  |  |
| Tin snips (to cut damper, if needed) | Scissors (to cut template, if needed) | Electric drill with 3/16", 1/2" and 5/8" bits |
|  |  |  |
| Gloves | Safety goggles | Duct and masking tape |
|  |  |  |
| Saw level (saber, hole, or keyhole) | Carpenter square (optional) | Filler blocks or scrap wood pieces (for top cabinet spacing in recessed bottom cabinet installations, if needed) |
|  | |  |
| Level | | Edge-to-edge stud finder or Hammer (optional) |

GENERAL INFORMATION

MOUNTING SPACE



Notes:

- The space between the cabinets must be 24" (61 cm) wide and free of obstructions.
- If you are going to vent your microwave oven to the outside, see Hood Exhaust Section for exhaust duct preparation.
- When installing the microwave oven beneath smooth, flat cabinets, be careful to follow the instruction for power cord clearance. Make sure that you leave enough space for the power cord clearance.

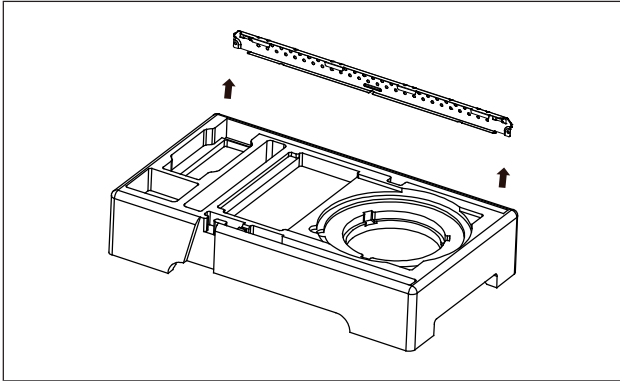
* The maximum depth of the cabinets or wall on either side of the Microwave Oven is 15" (38.1 cm). If the depth is greater than 15" (38.1 cm), the door will not open properly and the door handle opening may not be accessible.

STEP-BY-STEP INSTALLATION GUIDE

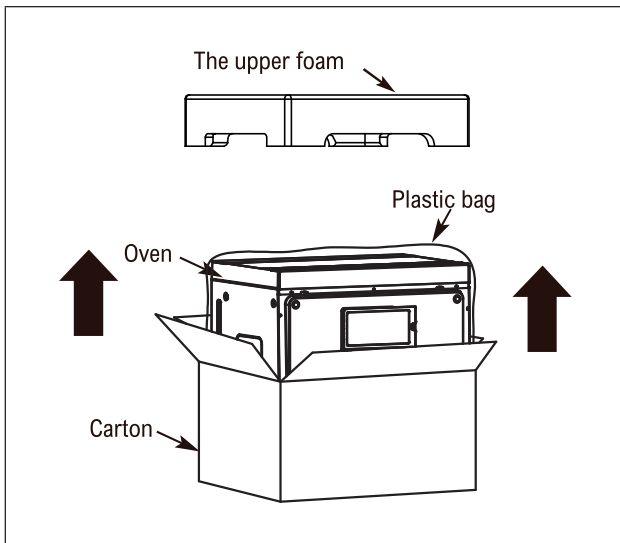
PLACEMENT OF THE MOUNTING PLATE

A. REMOVE THE MICROWAVE OVEN AND MOUNTING PLATE FROM CARTON

1. Open the carton and remove the upper foam from the box, but remember to keep the accessories.



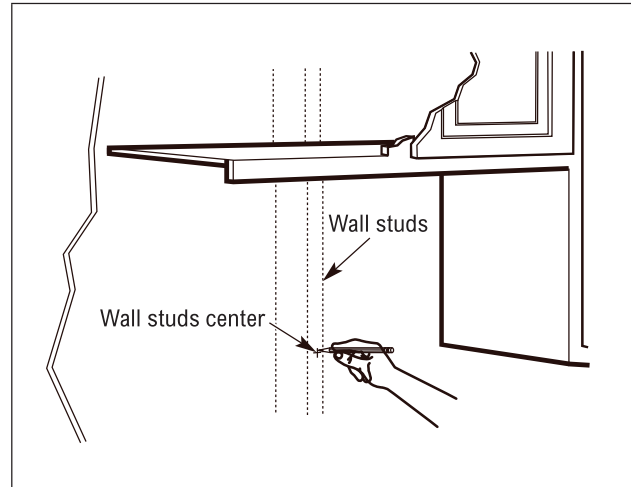
2. Pull the oven out of the carton and remove the plastic bag carefully.
3. Take the mounting bracket out from the upper foam.



B. FIND THE WALL STUDS

THE MICROWAVE MUST BE MOUNTED TO AT LEAST ONE WALL STUD.

1. Find the wall studs using either a wall stud finder (a magnetic device for locating nails) or a hammer to tap lightly across the mounting surface to find a solid sound, which indicates a wall stud location.

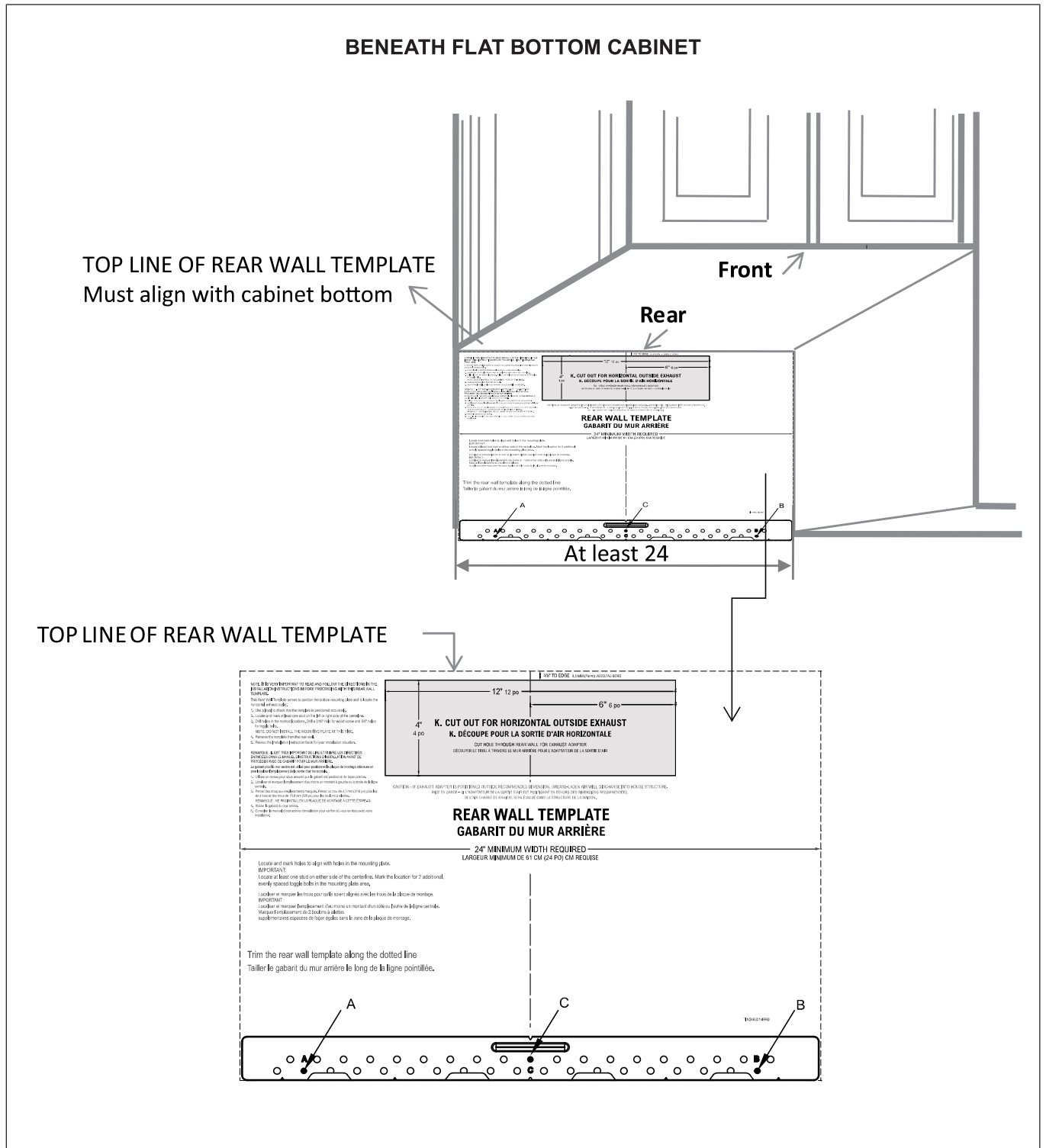


2. After locating the stud(s), find the center by probing the wall with a small nail to find the edges of the wall stud.
3. Place a mark halfway between the edges. The center of any adjacent wall studs should be 16" (40.6 cm) or 24" (61 cm) from this mark.
4. Draw a line down the center of the wall studs.

STEP-BY-STEP INSTALLATION GUIDE

C. DETERMINE TOP LINE OF REAR WALL TEMPLATE LOCATION UNDER YOUR CABINET

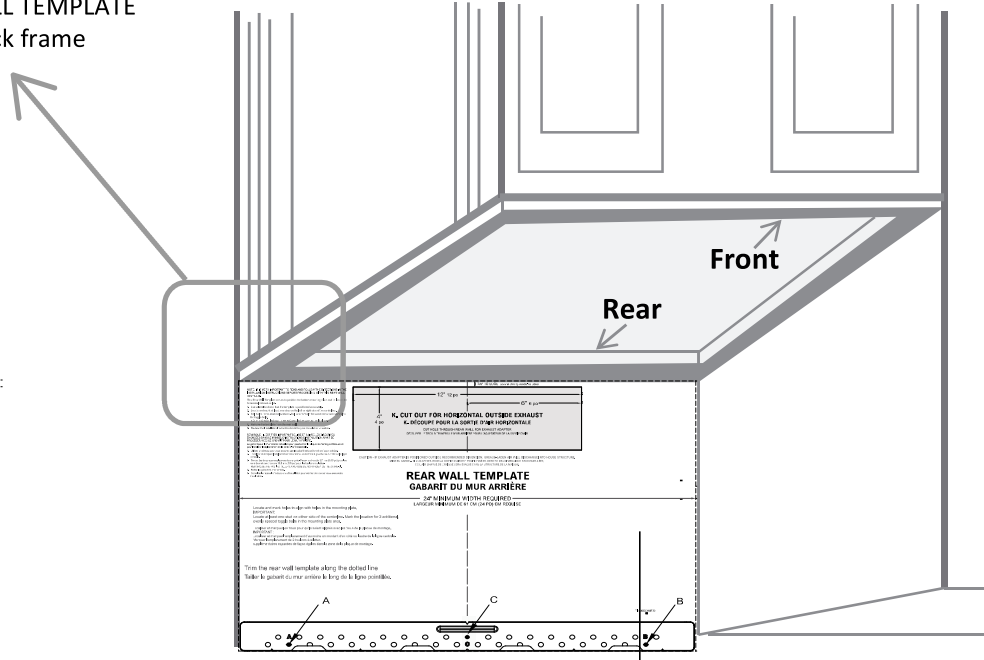
The bottom of the cabinet has three types:



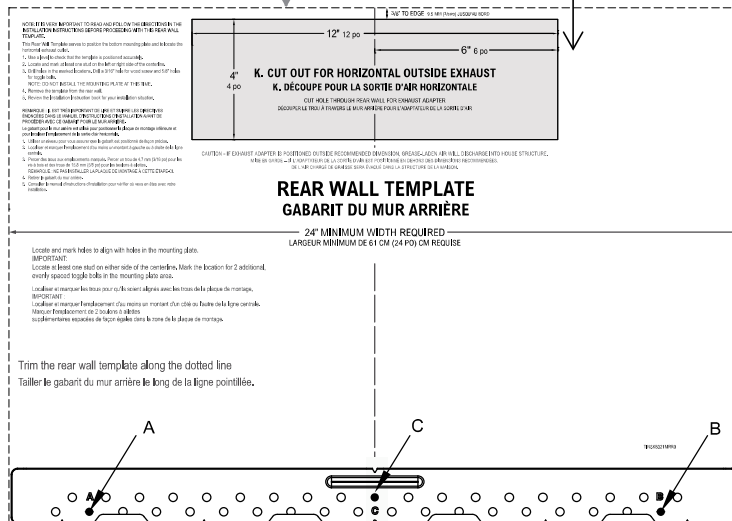
STEP-BY-STEP INSTALLATION GUIDE

BENEATH FRAMED RECESSED CABINET

TOP LINE OF REAR WALL TEMPLATE
Must align with the back frame of cabinet bottom



TOP LINE OF REAR WALL TEMPLATE



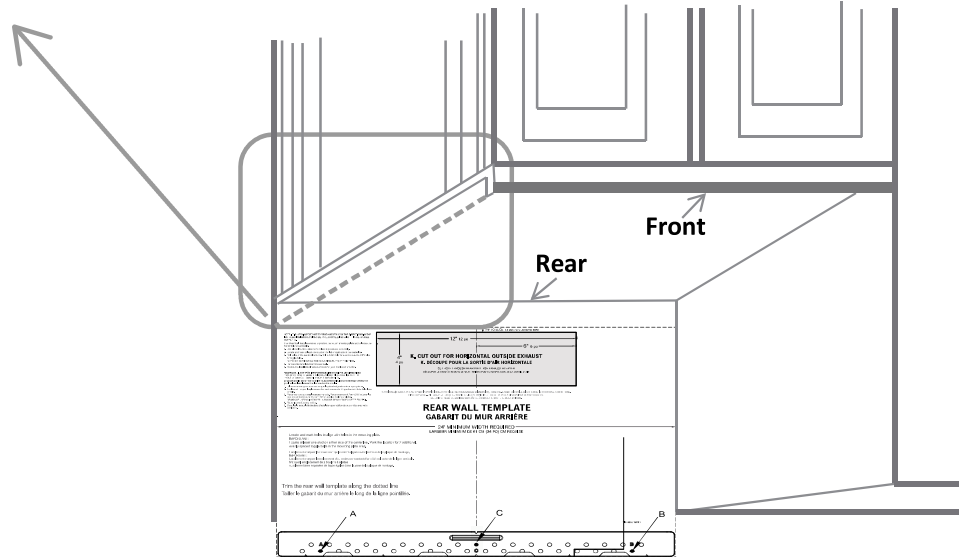
STEP-BY-STEP INSTALLATION GUIDE

BENEATH FRAMED RECESS BOTTOM CABINET WITH FRONT OVERHANG

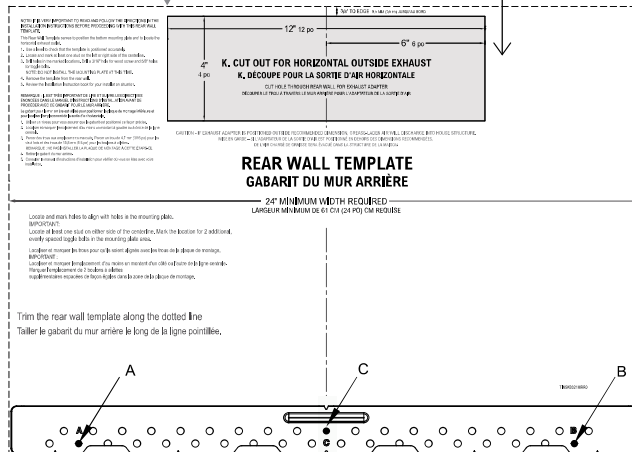
TOP LINE OF REAR WALL TEMPLATE

Must align with below cabinet bottom the same distance as the front overhang of cabinet bottom.

Below cabinet bottom the same distance as the front overhang of cabinet bottom



TOP LINE OF REAR WALL TEMPLATE



STEP-BY-STEP INSTALLATION GUIDE

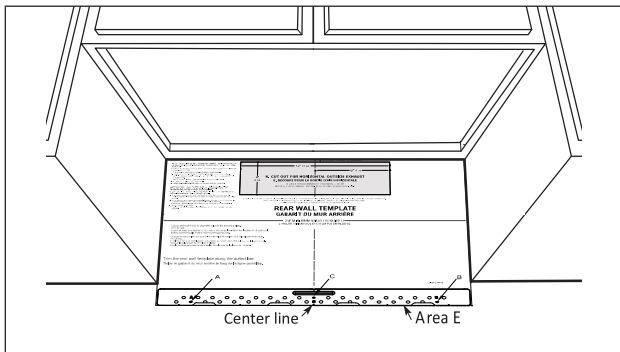
THE MICROWAVE MUST BE LEVEL

Use a level to make sure the cabinet bottom is level. If the cabinets have a front overhang only, with no back or side frame, the top line of Rear Wall Template must align with below cabinet bottom, the same distance as the front overhang depth. This will keep the microwave level.

1. Measure the inside depth of the front overhang.
2. Draw a horizontal line on the back wall, an equal distance below the cabinet bottom as the inside depth of the front overhang.
3. For this type of installation with front overhang only, align top line of Rear Wall Template with this horizontal line, not touching the cabinet bottom as described in step D.

Note: Your cabinets may have decorative trim that interferes with the microwave installation. Remove the decorative trim to install the microwave properly and to make it level.

D. ALIGN TOP LINE OF REAR WALL TEMPLATE



CAUTION Wear gloves to avoid cutting fingers on sharp edges.

1. Using tape measure, draw a vertical line on the wall at the center of the 24" (61 cm) wide space.
2. Tape the Rear Wall Template on the cabinet wall, align the center markers on the Rear Wall Template to the center line on wall, making sure it is level and that the top line of the Rear Wall Template is butted up against the bottom edge of the upper cabinet.
3. While taping the Rear Wall Template on the wall, draw circles on the wall at hole A, B, C (see illustration above/actual plate marked with arrows). **THREE HOLES MUST BE USED FOR MOUNTING.** (If there are 2 wall studs in right and left side based on center line, four holes must be used for mounting.)
4. Remove the Rear Wall Template and check the marking based on the actual mounting plate (center line, holes A, B, C).
5. Drill holes on the circle marks (A, B, C). Drill a $\frac{3}{16}$ " (4.7 mm) hole at C for lag screw and two $\frac{5}{8}$ " (15.88 mm) holes at A and B for toggle bolts.

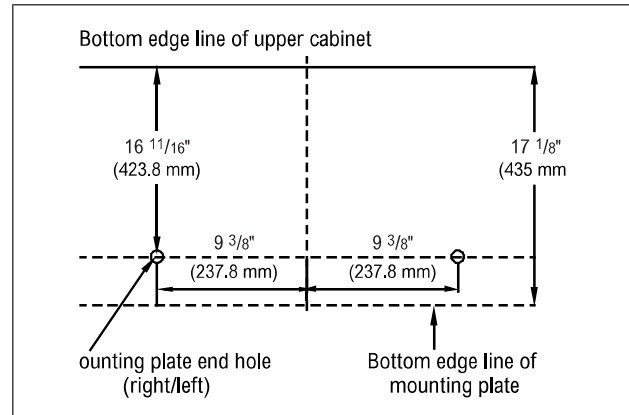
Note: DO NOT MOUNT THE PLATE AT THIS TIME.

6. If the Rear Wall Template is damaged or unusable, measure and mark the wall with the dimensions described in step E.

E. MARK REAR WALL OF THE CABINET WITHOUT REAR WALL TEMPLATE

1. The Bottom edge line of Mounting Plate must be 17 $\frac{1}{8}$ " (435 mm) from the bottom edge line of upper cabinet and must be level.

2. Mounting plate end holes must be 16 $\frac{11}{16}$ " (423.8 mm) from the bottom edge line of upper cabinet and must be on a equal line with each other. They must each be 9 $\frac{3}{8}$ " (237.8 mm) from the center line.

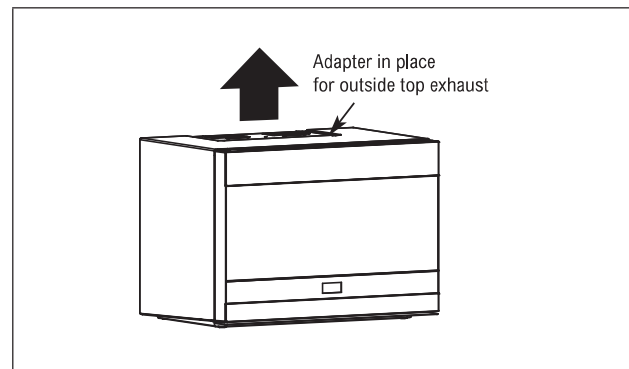


INSTALLATION TYPES (CHOOSE A, B OR C)

This microwave oven is designed for adaptation to the following three types of ventilation:

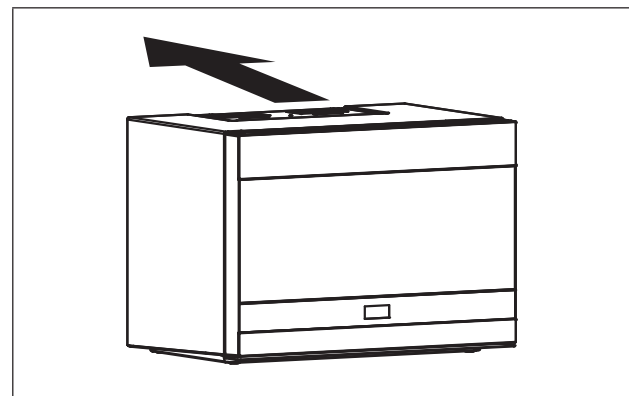
A. OUTSIDE TOP EXHAUST (VERTICAL DUCT)

See page 11.



B. OUTSIDE REAR EXHAUST (HORIZONTAL DUCT)

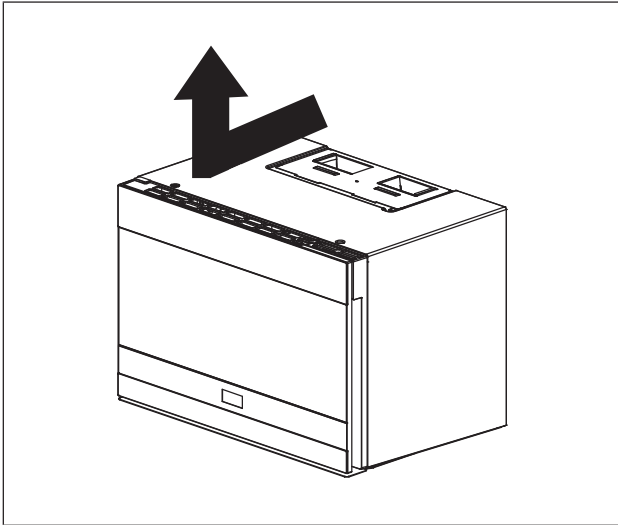
See page 13.



STEP-BY-STEP INSTALLATION GUIDE

C. RECIRCULATING (NON-VENTED DUCTLESS)

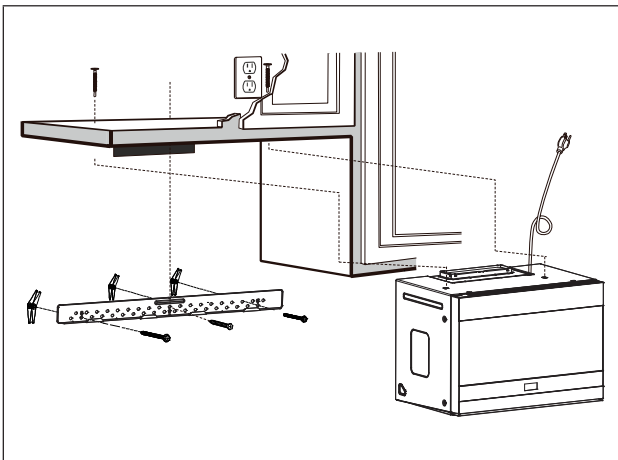
See page 17.



A. OUTSIDE TOP EXHAUST (VERTICAL DUCT) DEFAULT

Installation overview

- A1. Attach the mounting plate to the wall
- A2. Use Top Cabinet Template for preparation of top cabinet
- A3. Check for proper damper operation
- A4. Mount the microwave oven
- A5. Adjust the exhaust adapter
- A6. Connect ductwork

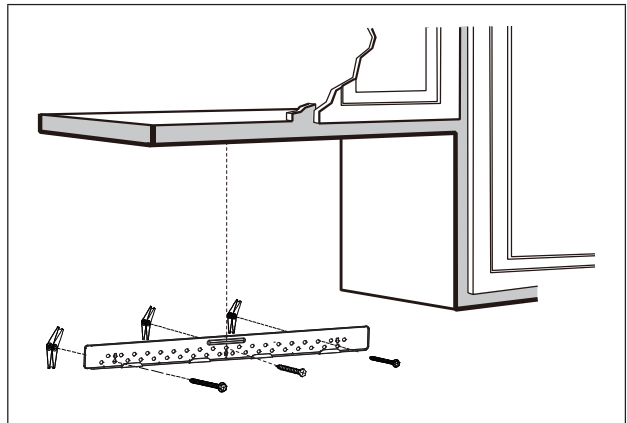


A1. ATTACH MOUNTING PLATE TO THE WALL

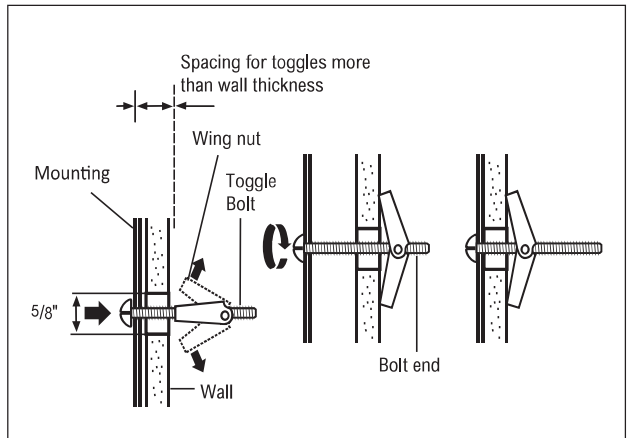
Attach the mounting plate to the wall using the wing nuts and toggle bolts ($\frac{3}{16}$ " x 3" / 0.5 x 7.6 cm). At least one lag screw must be used to attach the mounting plate to a wall stud.

1. Insert the toggle bolts ($\frac{3}{16}$ " x 3" / 0.5 x 7.6 cm) into the mounting plate through the holes designed to go into drywall and attach the wing nuts to $\frac{3}{4}$ " (1.9 cm) onto each toggle bolt ($\frac{3}{16}$ " x 3" / 0.5 x 7.6 cm).
2. Place the mounting plate against the wall and insert the wing nuts into the holes in the wall to mount the plate.

CAUTION Be careful to avoid pinching fingers between the back of the mounting plate and the wall.



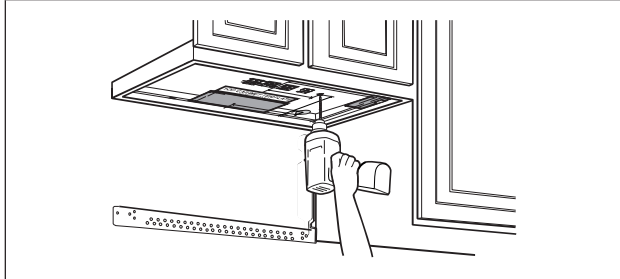
3. Tighten all bolts. Pull the mounting plate away from the wall to help tighten the bolts.



STEP-BY-STEP INSTALLATION GUIDE

A2. USE TOP CABINET TEMPLATE FOR PREPARATION OF TOP CABINET

Drill holes for the top support screws, a hole large enough for the power cord to fit through and a cutout large enough for the exhaust adapter.

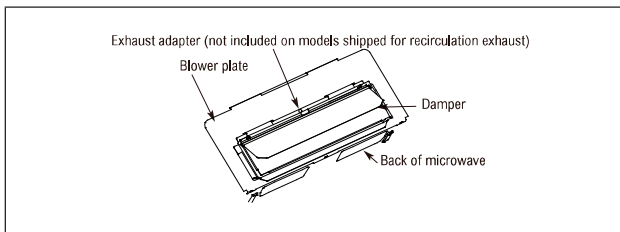


1. Read the instructions on the Top Cabinet Template.
2. Tape the template underneath the top cabinet bottom.
3. Drill the holes, following the instructions on the Top Cabinet Template.

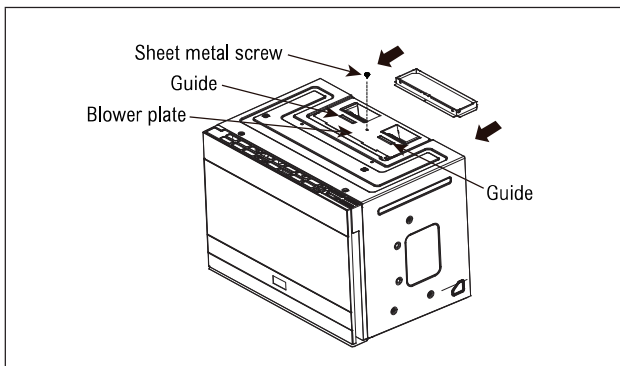
CAUTION Wear safety goggles when drilling holes in the cabinet bottom.

A3. CHECK FOR PROPER DAMPER OPERATION

1. Place the microwave in its upright position with the top of the unit facing up.
2. The exhaust adapter is only used for top exhaust and rear outside exhaust. The exhaust adapter is not used on models vented for recirculation exhaust.
3. Make sure tape securing damper is removed and damper pivots easily before mounting microwave.



4. Attach the exhaust adapter to the blower plate by sliding it into the guides. Secure the adapter with one Sheet Metal Screw provided.



5. You will need to make adjustment to ensure proper alignment with your house exhaust duct after the microwave is installed.

A4. MOUNT THE MICROWAVE OVEN

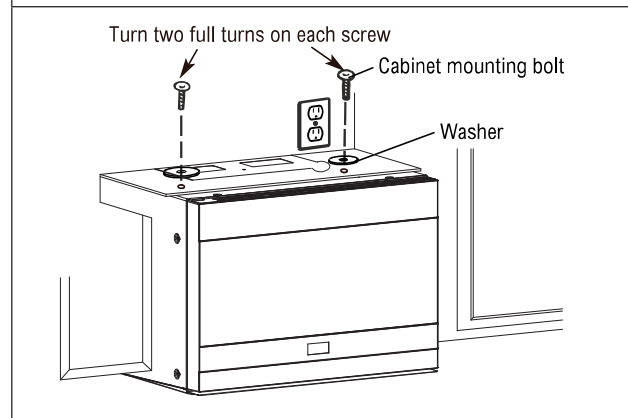
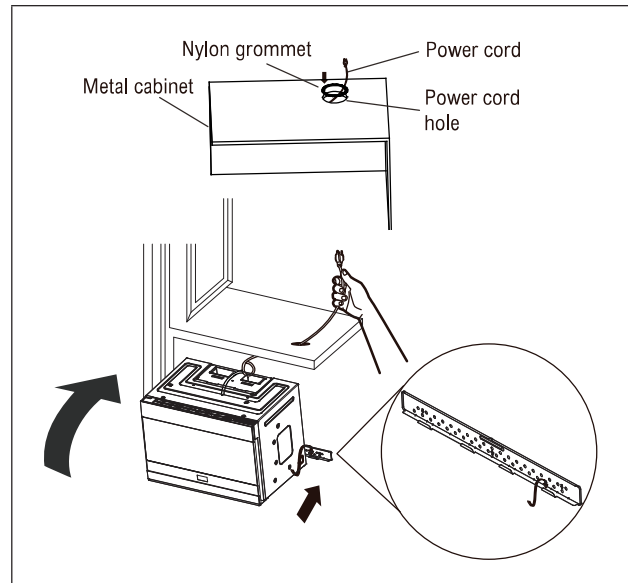
FOR EASIER INSTALLATION AND PERSONAL SAFETY, WE RECOMMEND THAT TWO PEOPLE INSTALL THIS MICROWAVE OVEN.

IMPORTANT: Do not grip or use handle during installation. If filler blocks are not used, outer case damage may occur from over tightening screws.

Note: If your cabinet is metal, use the nylon grommet around the power cord hole to prevent cutting of the cord. We recommend using filler blocks if the cabinet front hangs below the cabinet bottom shelf.

When mounting the microwave oven, thread power cord through hole in bottom of top cabinet. Keep it tight throughout steps 1-4. Do not pinch cord or lift oven by pulling cord.

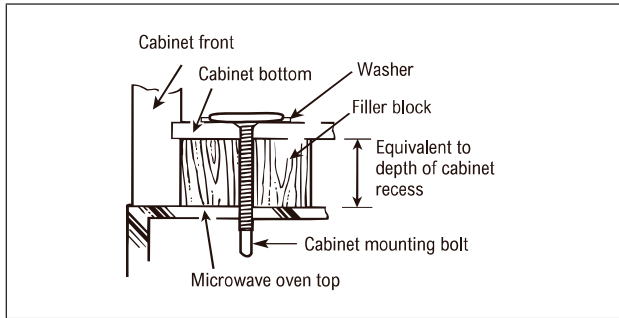
1. Lift microwave, tilt it forward and hook slots at back bottom edge onto four lower tabs of mounting plate.
2. Rotate front of oven up against cabinet bottom.
3. Attach the microwave oven to the top cabinet.
4. Insert two cabinet mounting bolts (1/4" x 3" / 0.6 x 7.6 cm) through outer top cabinet holes. Temporarily secure the oven by turning the screw at least two full turns after the threads have engaged. (It will be completely tightened later.) Be sure to keep power cord tight. Be careful not to pinch the cord, especially when mounting flush to the bottom of cabinet.



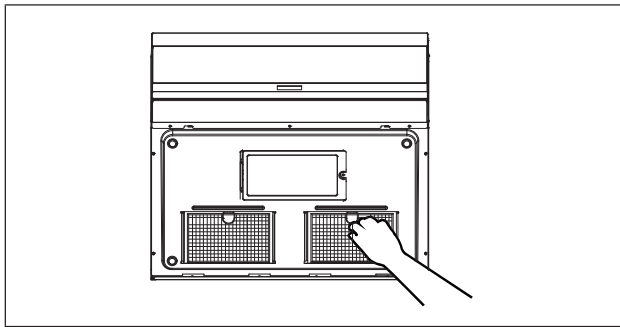
STEP-BY-STEP INSTALLATION GUIDE

The Filler Block is only used for recessed cabinet and front overhang cabinet (see the type of the cabinet on page 8 - 9). Place the Filler Block to the cabinet bottom before installing the oven.

5. Tighten the outer two screws to the top of the microwave oven. While tightening screws, hold the microwave oven in place against the wall and the top cabinet.

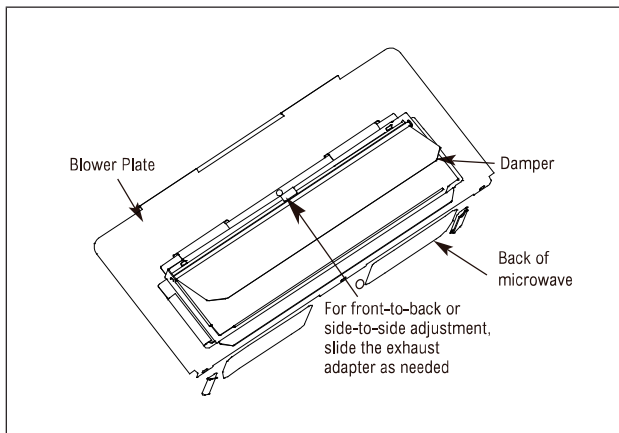


6. Install grease filters. See the Operation Manual packed with the microwave.



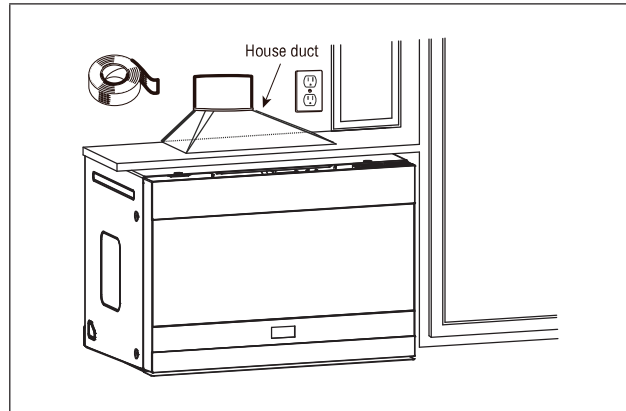
A5. ADJUST THE EXHAUST ADAPTER

Open the top cabinet and adjust the exhaust adapter to connect to the house duct.



A6. CONNECT DUCTWORK

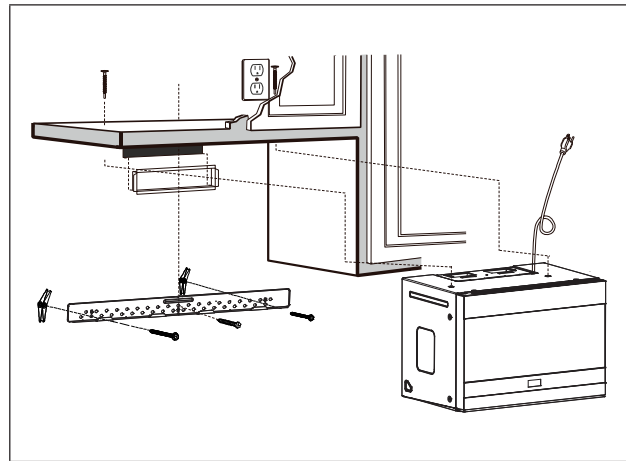
1. Extend the house duct down to connect to the exhaust adapter.
2. Seal exhaust duct joints using duct tape.



B. OUTSIDE REAR EXHAUST (HORIZONTAL DUCT)

Installation overview

- B1. Prepare the Rear Wall Template for outside back exhaust.
- B2. Attach the mounting plate to the wall.
- B3. Use Top Cabinet Template for preparation of top cabinet.
- B4. Adapt microwave blower for outside back exhaust.
- B5. Mount the microwave oven.

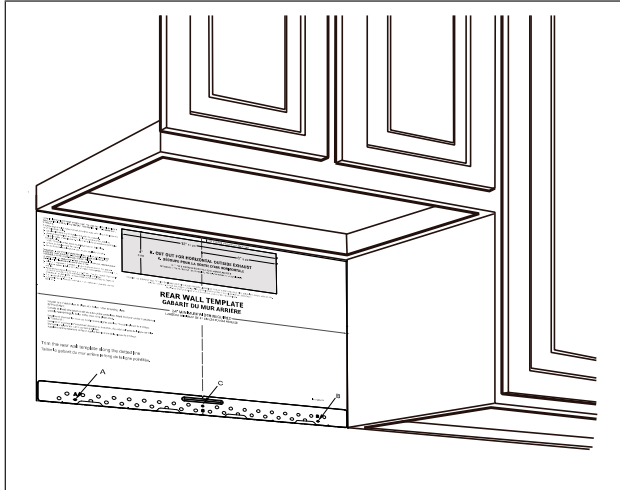


STEP-BY-STEP INSTALLATION GUIDE

B1. PREPARE THE REAR WALL TEMPLATE FOR OUTSIDE BACK EXHAUST

You need to cut an opening (12" x 4" / 30.5 x 10.2 cm rectangular hole) in the Rear Wall Template for outside exhaust.

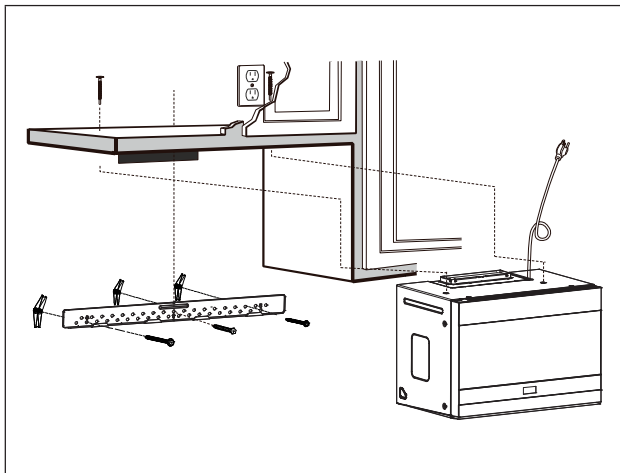
1. Read the instructions on the Rear Wall Template.
2. Tape it to the rear wall, lining up with the holes previously drilled for holes A and B in the wall plate.
3. Cut the opening, following the instructions of the Rear Wall Template.



B2. ATTACH MOUNTING PLATE TO THE WALL

Attach the mounting plate to the wall using the wing nuts and toggle bolts (3/16" x 3" / 0.5 x 7.6 cm). At least one lag screw must be used to attach the mounting plate to a wall stud.

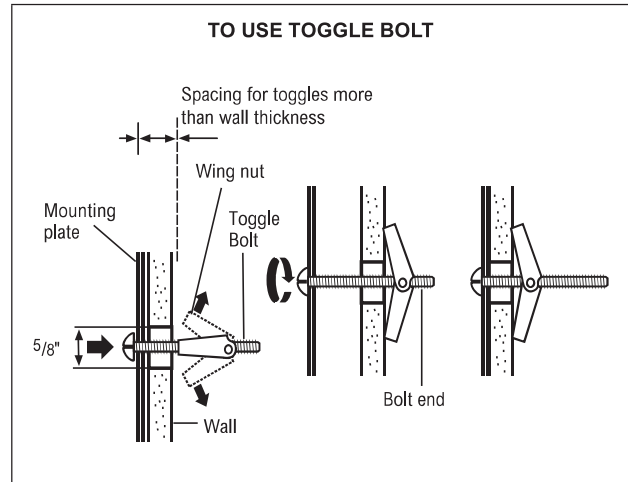
1. Insert the toggle bolts (3/16" x 3" / 0.5 x 7.6 cm) into the mounting plate through the holes designed to go into dry wall and attach the wing nuts to 3/4" (1.9 cm) onto each toggle bolt (3/16" x 3" / 0.5 x 7.6 cm).



2. Place the mounting plate against the wall and insert the wing nuts into the holes in the wall to mount the plate.

CAUTION Be careful to avoid pinching fingers between the back of the mounting plate and the wall.

3. Tighten all bolts. Pull the mounting plate away from the wall to help tighten the bolts.

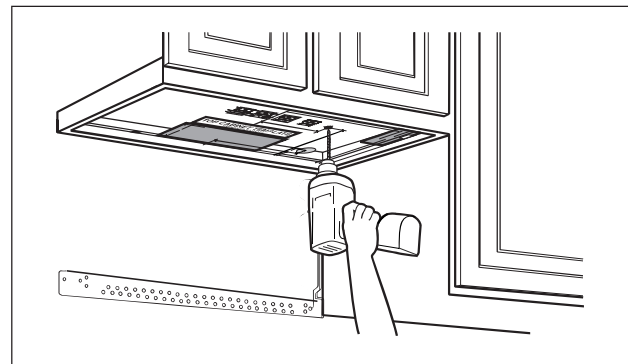


B3. USE TOP CABINET TEMPLATE FOR PREPARATION OF TOP CABINET

You need to drill holes for the top support screws and a hole large enough for the power cord to fit through.

- Read the instructions on the Top Cabinet Template.
- Tape it underneath the top cabinet bottom.
- Drill the holes, following the instructions on the Top Cabinet Template.

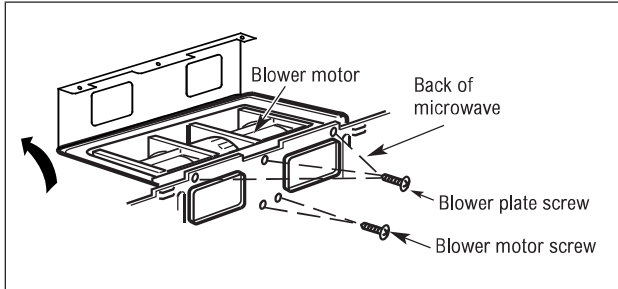
CAUTION Wear safety goggles when drilling holes in the cabinet bottom.



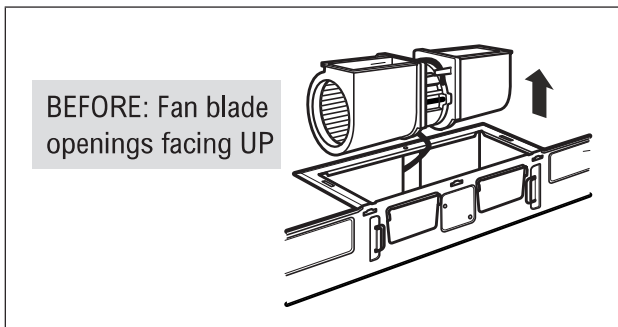
STEP-BY-STEP INSTALLATION GUIDE

B4. ADAPT MICROWAVE BLOWER FOR OUTSIDE REAR EXHAUST

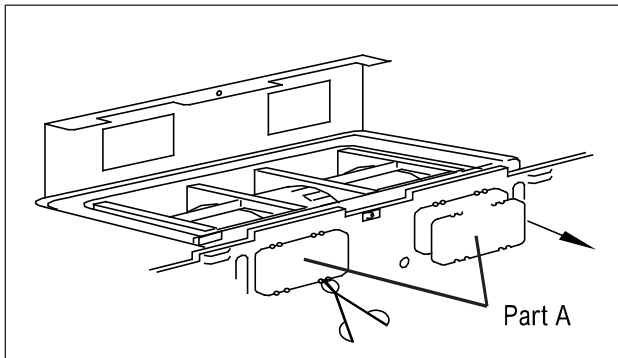
1. Remove and save screw that holds blower motor to microwave. Lift up the blower plate.



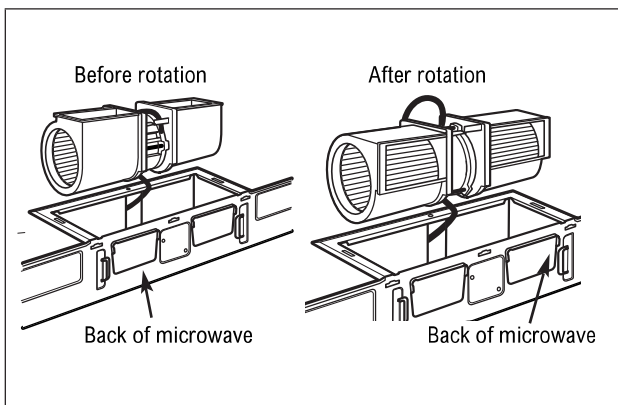
2. Carefully pull out the blower unit. The wires will extend far enough to allow you to adjust the blower unit.



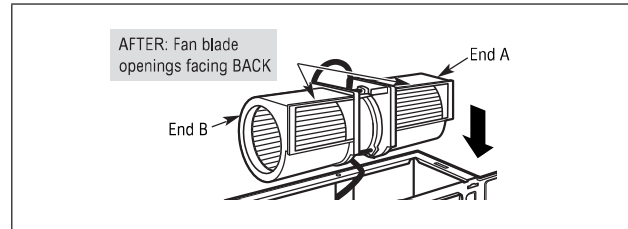
3. Remove Parts A with tin snips.



4. Rotate blower unit counterclockwise 90°.



5. Place the blower unit back into the opening.

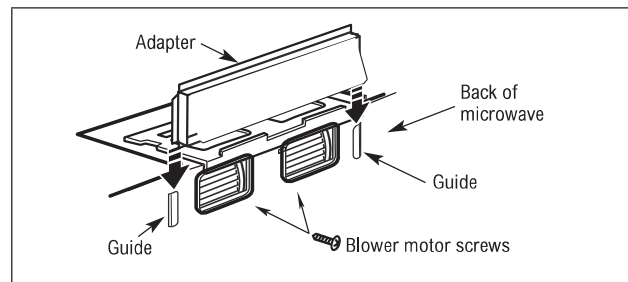


CAUTION Do not pull or stretch the blower unit wiring. Make sure the wires are not pinched.

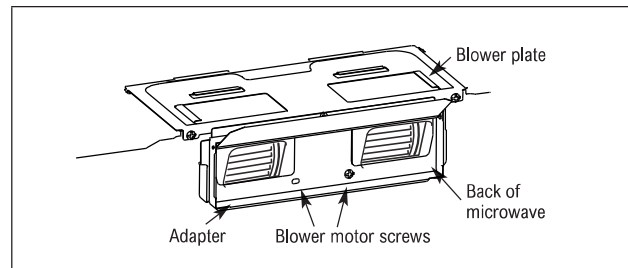
Note: The blower unit exhaust openings should match exhaust openings on rear of microwave oven.

6. Replace the blower plate in the same position.
7. Attach the exhaust adapter to the rear of the oven by sliding it into the guides at the top center of the back of the oven.

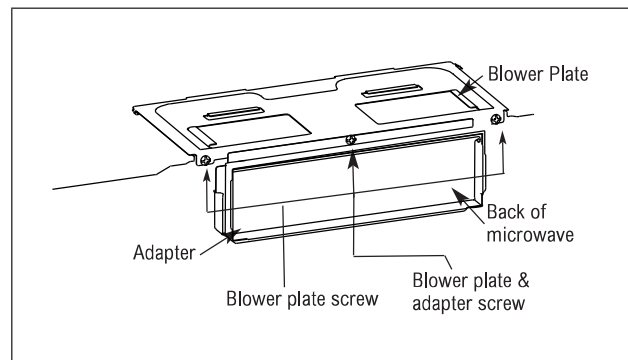
Push in securely until it is in the lower blower motor screw. Take care to assure that the damper hinge is installed so that it is at the top and that the damper swings freely.



8. Secure the blower motor unit to the microwave with screws as before.



9. Secure the blower plate to the microwave with screws. Replace the blower plate in the same position.



STEP-BY-STEP INSTALLATION GUIDE

B5. MOUNT THE MICROWAVE OVEN

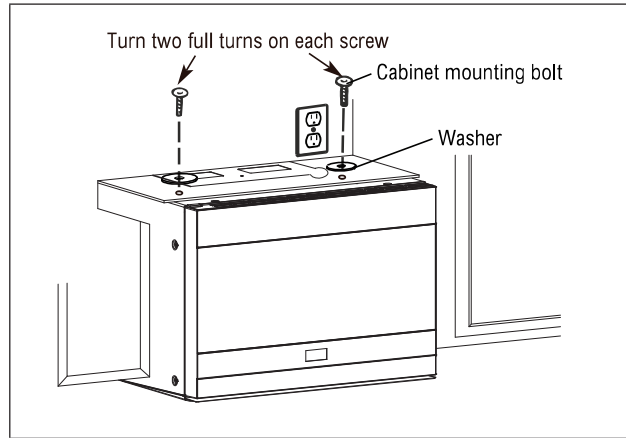
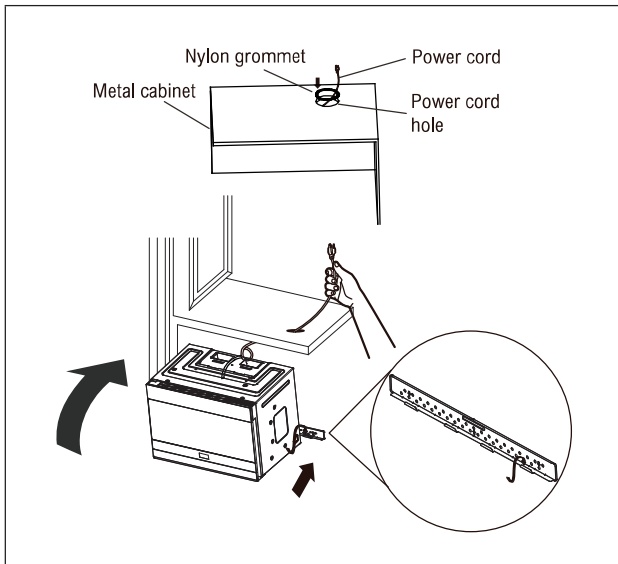
FOR EASIER INSTALLATION AND PERSONAL SAFETY, WE RECOMMEND THAT TWO PEOPLE INSTALL THIS MICROWAVE OVEN.

IMPORTANT: Do not grip or use handle during installation. If filler blocks are not used, outer case damage may occur from over tightening screws.

Note: If your cabinet is metal, use the nylon grommet around the power cord hole to prevent cutting of the cord. We recommend using filler blocks if the cabinet front hangs below the cabinet bottom shelf.

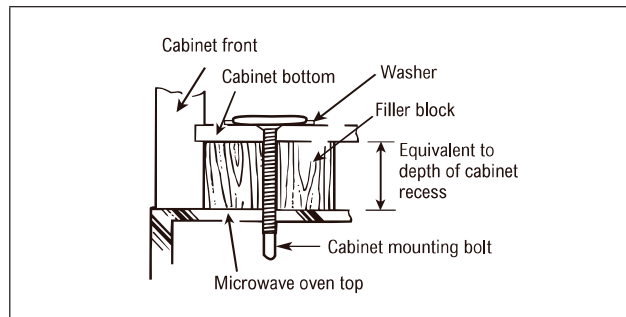
When mounting the microwave oven, thread power cord through hole in bottom of top cabinet. Keep it tight throughout steps 1 - 4. Do not pinch cord or lift oven by pulling cord.

1. Lift microwave, tilt it forward and hook slots at back bottom edge onto four lower tabs of mounting plate.
2. Rotate front of oven up against cabinet bottom.
3. Attach the microwave oven to the top cabinet.
4. Insert two cabinet mounting bolts (1/4" x 3" / 0.6 x 7.6 cm) through outer top cabinet holes. Temporarily secure the oven by turning the screw at least two full turns after the threads have engaged. (It will be completely tightened later.) Be sure to keep power cord tight. Be careful not to pinch the cord, especially when mounting flush to the bottom of cabinet.

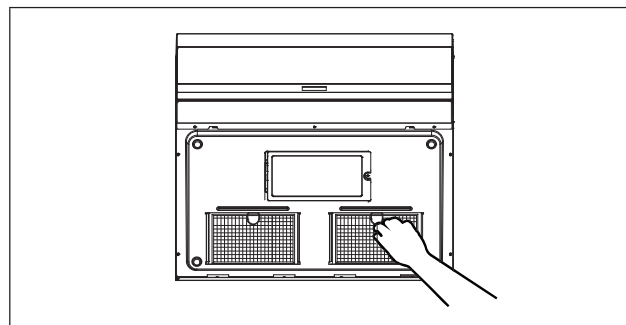


The Filler Block is only used for recessed cabinet and front overhang cabinet (see the type of the cabinet on pages 8 - 9). Place the Filler Block to the cabinet bottom before installing the oven.

5. Tighten the outer two screws to the top of the microwave oven. While tightening screws, hold the microwave oven in place against the wall and the top cabinet.



6. Install grease filters. See the Operation Manual packed with the microwave.

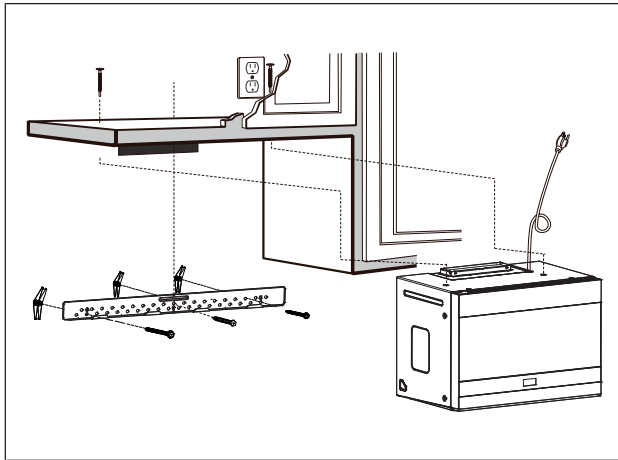


STEP-BY-STEP INSTALLATION GUIDE

C. RECIRCULATING (NON-VENTED DUCTLESS)

Installation overview

- C1. Attach the mounting plate to the wall
- C2. Use Top Cabinet Template for preparation of top cabinet
- C3. Adapt blower for recirculation
- C4. Mount the microwave oven
- C5. Change the charcoal filter

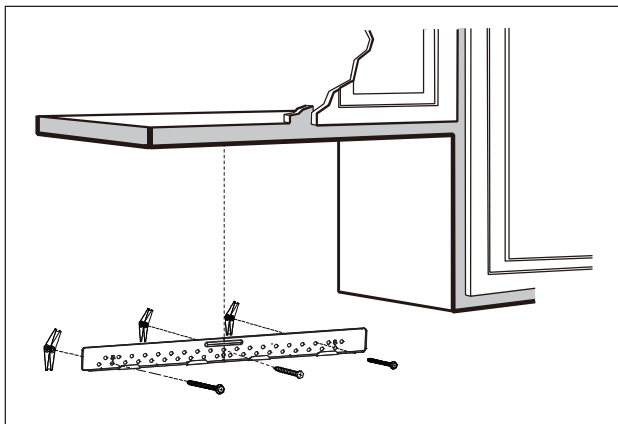


C1. ATTACH MOUNTING PLATE TO THE WALL

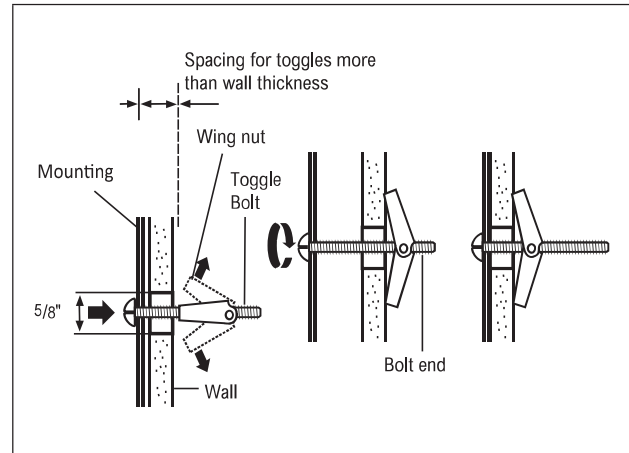
Attach the mounting plate to the wall using the wing nuts and toggle bolts ($\frac{3}{16}$ " x 3" / 0.5 x 7.6 cm). At least one lag screw must be used to attach the mounting plate to a wall stud.

1. Insert the toggle bolts ($\frac{3}{16}$ " x 3" / 0.5 x 7.6 cm) into the mounting plate through the holes designed to go into drywall and attach the wing nuts to $\frac{3}{4}$ " (1.9 cm) onto each toggle bolt ($\frac{3}{16}$ " x 3" / 0.5 x 7.6 cm).
2. Place the mounting plate against the wall and insert the wing nuts into the holes in the wall to mount the plate.

CAUTION Be careful to avoid pinching fingers between the back of the mounting plate and the wall.

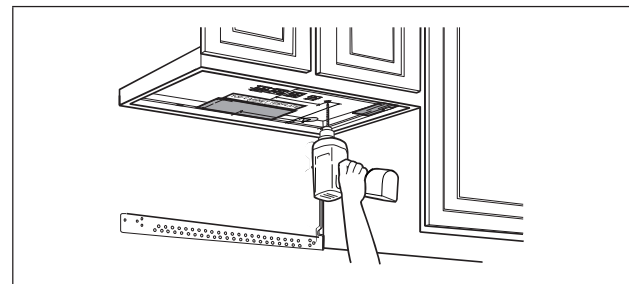


3. Tighten all bolts. Pull the mounting plate away from the wall to help tighten the bolts.



C2. USE TOP CABINET TEMPLATE FOR PREPARATION OF TOP CABINET

You need to drill holes for the top support screws, a hole large enough for the power cord to fit through.



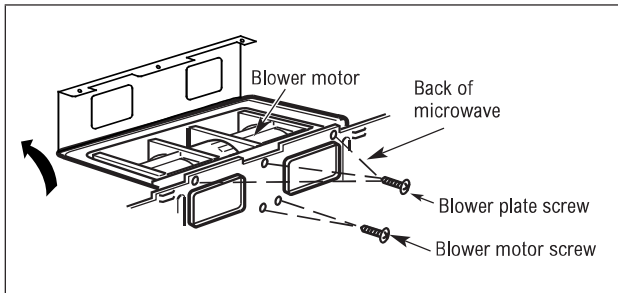
- Read the instructions on the Top Cabinet Template.
- Tape the template underneath the top cabinet bottom.
- Drill the holes, following the instructions on the Top Cabinet Template.

CAUTION Wear safety goggles when drilling holes in the cabinet bottom.

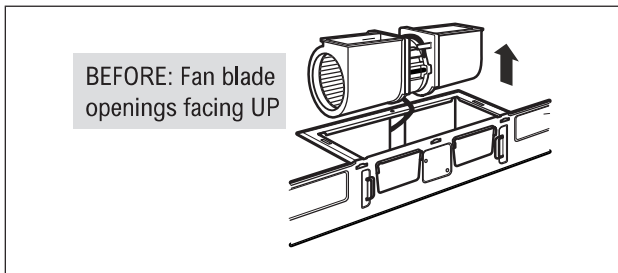
STEP-BY-STEP INSTALLATION GUIDE

C3. ADAPT BLOWER FOR RECIRCULATION

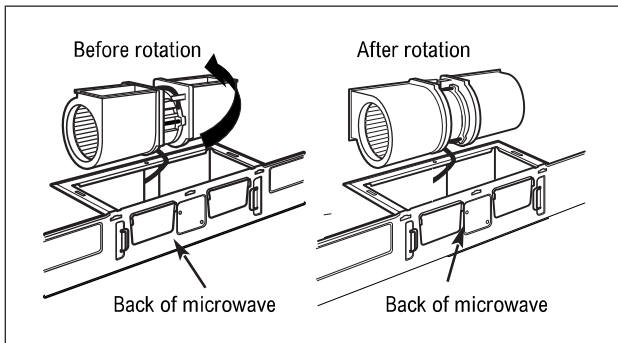
1. Remove and save screw that holds blower motor to microwave. Lift up the blower plate.



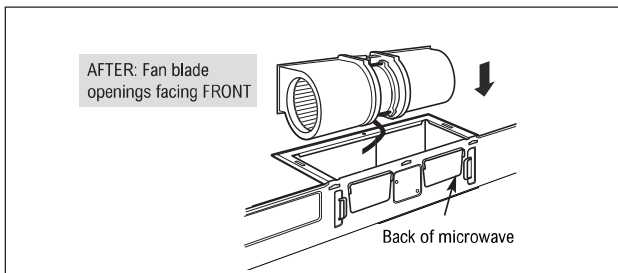
2. Carefully pull out the blower unit. The wires will extend far enough to allow you to adjust the blower unit.



3. Rotate blower unit 90°.



4. Place the blower unit back into the opening.



CAUTION Do not pull or stretch the blower unit wiring. Make sure the wires are not pinched.

Note: The blower unit exhaust openings should match exhaust openings on rear of microwave oven.

5. Replace the blower plate in the same position.

C4. MOUNT THE MICROWAVE OVEN

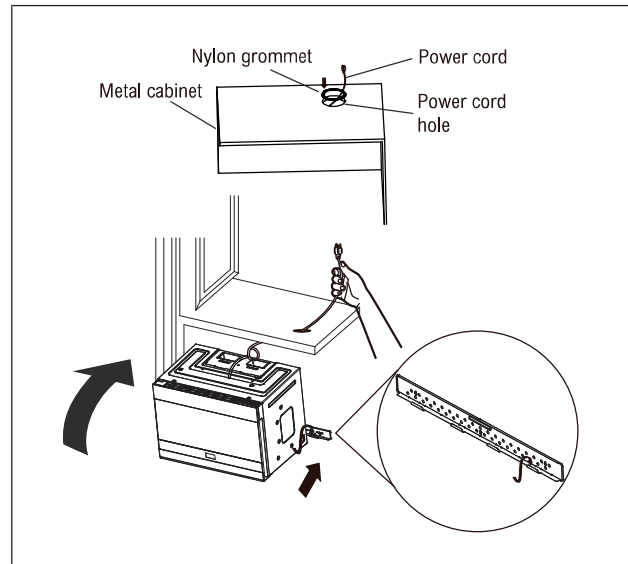
FOR EASIER INSTALLATION AND PERSONAL SAFETY, WE RECOMMEND THAT TWO PEOPLE INSTALL THIS MICROWAVE OVEN.

IMPORTANT: Do not grip or use handle during installation. If filler blocks are not used, case damage may occur from over tightening screws.

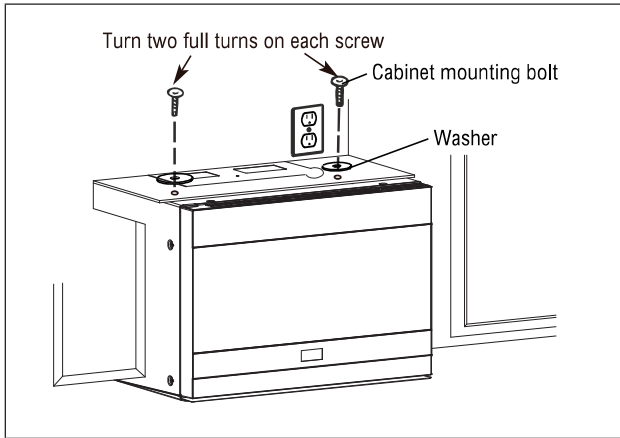
Note: If your cabinet is metal, use the nylon grommet around the power cord hole to prevent cutting of the cord. We recommend using filler blocks if the cabinet front hangs below the cabinet bottom shelf.

When mounting the microwave oven, thread power cord through hole in bottom of top cabinet. Keep it tight throughout steps 1 - 4. Do not pinch cord or lift oven by pulling cord.

1. Lift microwave, tilt it forward and hook slots at back bottom edge onto four lower tabs of mounting plate.
2. Rotate front of oven up against cabinet bottom.
3. Attach the microwave oven to the top cabinet.
4. Insert two cabinet mounting bolts (1/4" x 3" / 0.6 x 7.6 cm) through outer top cabinet holes. Temporarily secure the oven by turning the screw at least two full turns after the threads have engaged. (It will be completely tightened later.) Be sure to keep power cord tight. Be careful not to pinch the cord, especially when mounting flush to the bottom of cabinet.

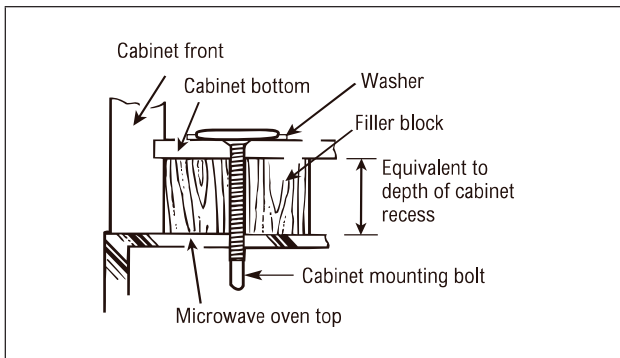


STEP-BY-STEP INSTALLATION GUIDE

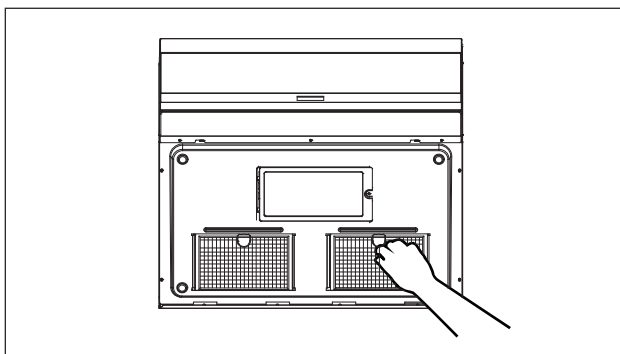


The Filler Block is only used for recessed cabinet and front overhang cabinet (see the type of the cabinet on pages 8 - 9). Place the Filler Block to the cabinet bottom before installing the oven.

5. Tighten the outer two screws to the top of the microwave oven. While tightening screws, hold the microwave oven in place against the wall and the top cabinet.



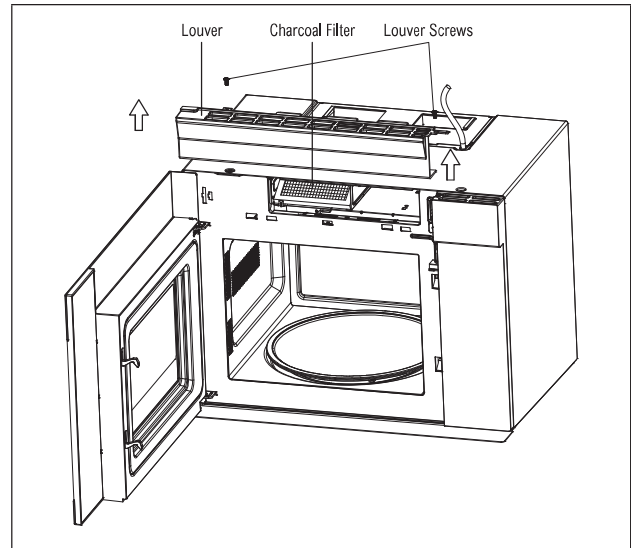
6. Install grease filters. See the Operation Manual included with the microwave.



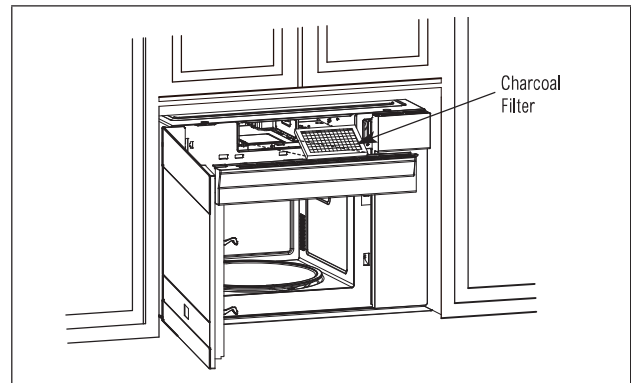
C5. CHANGE THE CHARCOAL FILTER

The charcoal filter is used for nonvented, recirculated installation. The filter should be changed every 6 to 12 months depending on use.

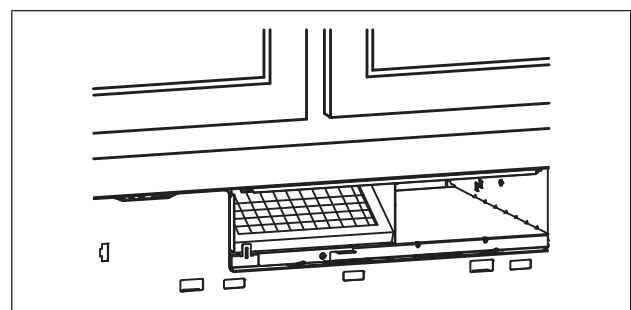
1. Remove two screws of the louver on the top of the oven by using a #1 Phillips screwdriver.



2. Open the door, remove the louver and take the used charcoal filter out.



3. Install the new charcoal filter. When properly installed, the wire mesh of the filter should be visible from the front.



4. Replace the louver and the screws.

SHARP[®]

SHARP ELECTRONICS CORPORATION • 100 Paragon Drive • Montvale, New Jersey 07645 • USA
SHARP ELECTRONICS OF CANADA LTD • 335 Britannia Road East • Mississauga, Ontario • L4Z 1W9 • Canada