



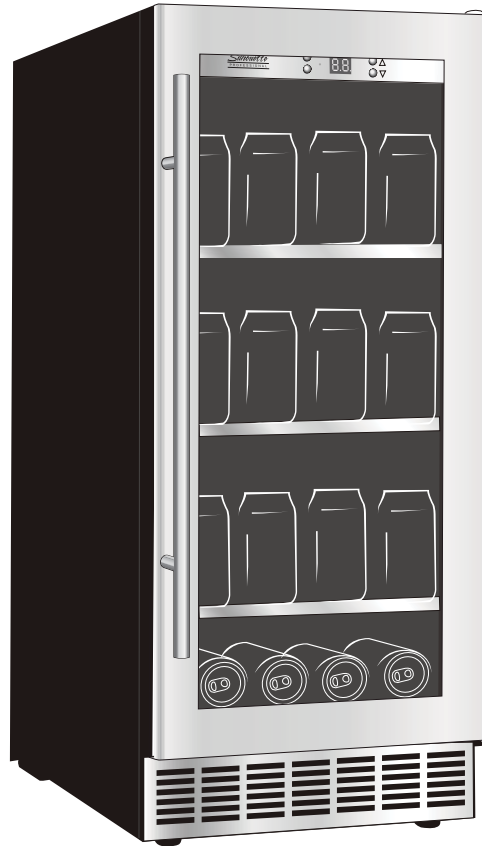
- OWNER'S MANUAL
- LE MANUEL DU PROPRIÉTAIRE
- DBC031D1BSSPR

**CAUTION**

Read and follow all safety rules and operating instructions before first use of this product.

**PRÉCAUTION**

Veillez lire attentivement les consignes de sécurité et les instructions d'utilisation avant l'utilisation initiale de ce produit.



**1-844-455-6097**

Danby Products Limited, Guelph, Ontario Canada N1H 6Z9  
Danby Products Inc., Findlay, Ohio USA 45840

V1.05.14

# TABLE OF CONTENTS

---

## Important Safety Information

3

Safety Precautions	3
Grounding Instructions	4

---

## Operating Instructions

5

Features of Your Beverage Center	5
The Controls of Your Beverage Center	6
Setting the Temperature	6
Function Instruction	6
Beverage storage	7
Shelf Instructions	7

---

## Installation Instructions

8

Tools You Will Need	8
Preparing the Enclosure	8
Door Swing Reversal	9

---

## Care and Cleaning

10

Helpfull Hints	10
How to Clean the Inside	10
How to Clean the Outside	10

---

## Trouble Shooting

11

Before Your Call For Service	11
------------------------------	----

---

## Warranty

12

# WELCOME

Welcome to the Danby family. We're proud of our quality products and we believe in dependable service.

You'll see it in this easy-to-use manual and you'll hear it in the friendly voices of our consumer service department.

**Tel: 1-844-455-6097**

Best of all, you'll experience these values each time you use your beverage center. That's important, because your new appliance will be part of your family many years to come.

## Start Here!...Before using your beverage center

Write down the model and serial numbers here. They are on a label located on the back of the unit.

Model number **DBC031D1BSSPR**

Serial number \_\_\_\_\_

Date purchased \_\_\_\_\_

Staple your receipt to the inside back cover of this manual. You will need it to obtain service under warranty.

# NEED HELP?

Before you call for service, there are a few things you can do to help us serve you better...

### Read this manual

It contains instructions to help you use and maintain your appliance properly.

**If you received a damaged appliance immediately contact the dealer (or builder) that sold you the beverage center.**

### Save time and money

Check the Trouble Shooting section before calling. This section helps you solve common problems that may occur.

If you do need service, you can relax knowing help is only a phone call away.

**Toll Free: 1-844-455-6097**

# IMPORTANT SAFETY INFORMATION

## READ ALL SAFETY INFORMATION BEFORE USING

### WARNING

#### **DANGER, RISK OF CHILD ENTRAPMENT!**

An empty Beverage center is a very dangerous attraction to children. Remove either the gasket, latches, lids, lock and/or doors from unused or discarded appliances, or take some other action to guarantee it harmless.

**DON'T WAIT, DO IT NOW!**

To reduce the risk of fire, burns, electric shock, or injury to persons when using your appliance, follow basic precautions, including the following sections;

### SAFETY PRECAUTIONS

- This appliance must be grounded. Connect only to a properly grounded outlet. See "Grounding Instructions" section on page 4.
- Do not operate this appliance if it has a damaged power cord or plug, if it is not working properly, or if the appliance has been damaged or dropped.
- Do not splice the power cord that is equipped with this appliance.
- Keep power cord away from heated surfaces.
- Do not immerse power cord, plug or the appliance itself in water.
- Do not use this product near water-for example, in a wet basement, near a swimming pool or near a sink.
- Do not use corrosive chemicals or vapors in this appliance.
- Use this appliance only for its intended use, as described in this manual.
- Do not store perishable food items such as (but not limited to) meats and dairy products in your Beverage Center.
- Store beverages in sealed containers only.
- See door surface cleaning instructions in the Care and Cleaning section(s) of this manual.
- Do not cover or block any openings on the appliance.
- This appliance is intended for household use only. Do not attempt to operate or store this appliance outdoors.
- This appliance should be serviced only by qualified service personnel. Contact nearest authorized service facility for examination, repair or adjustment.

**SAVE THESE INSTRUCTIONS**

# IMPORTANT SAFETY INFORMATION

## GROUNDING INSTRUCTIONS

This appliance must be grounded. In the event of an electrical short circuit, grounding reduces the risk of electric shock by providing an escape wire for the electric current.

## WARNING!

Improper use of the grounding plug can result in a risk of electric shock.

This appliance is equipped with a power cord having a grounding wire with a grounding plug. The plug must be plugged into an outlet that is properly installed and grounded.

Consult a qualified electrician or service technician if the grounding instructions are not completely understood, or if doubt exists as to whether the appliance is properly grounded.

If the outlet is a standard 2-prong wall outlet, it is your personal responsibility and obligation to have it replaced with a properly grounded 3-prong wall outlet.

## Leveling Instructions

## WARNING!

Extreme Weight Hazard  
Use two or more people when moving the beverage center.

Beneath the beverage center there are two leveling legs that are located on either side of the vent. It is important that your beverage center is level.

To level the beverage center:  
1. Move the beverage center to its final location.  
2. Have someone gently lean against the front of the beverage center to take some of the weight off of the leveling legs.

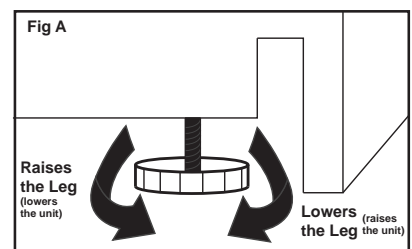
For best operation, plug this appliance into its own electrical outlet to prevent flickering of lights, blowing of fuse or tripping of circuit breaker.

**Do not** under any circumstances cut or remove the third (ground) prong from the power cord.

**Do not** use an adapter plug with this appliance.

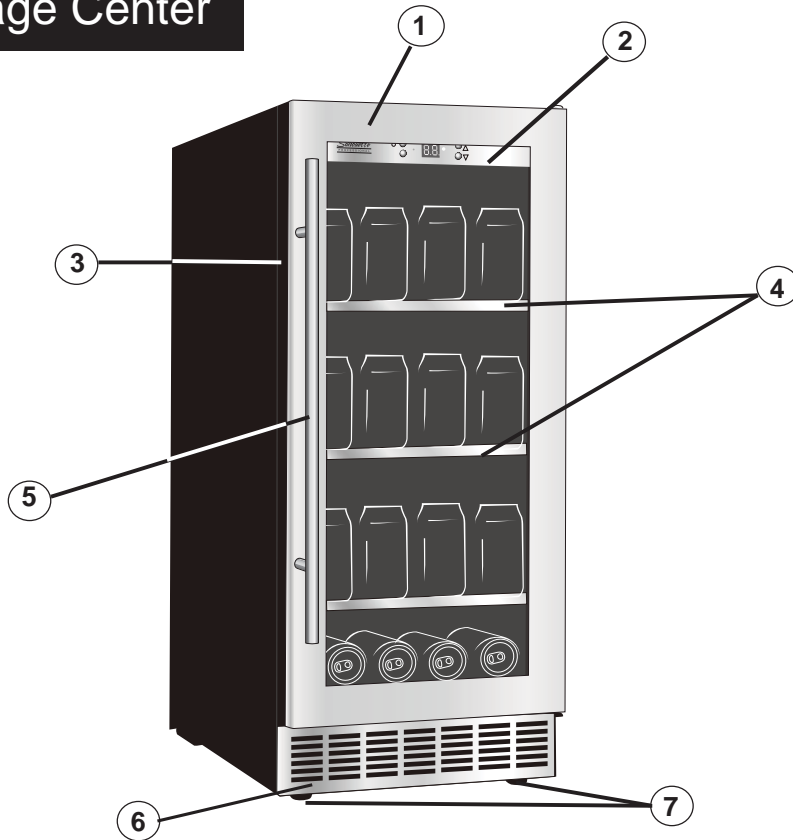
**Do not** use an extension cord with this appliance. If the power cord is too short, have a qualified electrician or service technician install an outlet near the appliance.

3. Turn the leveling legs clockwise to raise the beverage center or counter-clockwise to lower it. Continue in this manner until the beverage center is level. See Fig. A.



# Operating Instructions

## Features of your Beverage Center



### 1. Tempered Glass Door:

Low-E glass - used to reflect and absorb heat.

### 2. Electronic Display and Controls:

For viewing and regulating the temperature of the beverage center.

**3. Magnetic Door Gaskets:** Tight fitting seals retain all the cooling power and humidity levels.

### 4. Glass shelves

### 5. Vertical Towel Bar Handle




**6. Front Mounted Exhaust:** Allows for integrated (built-in) applications.

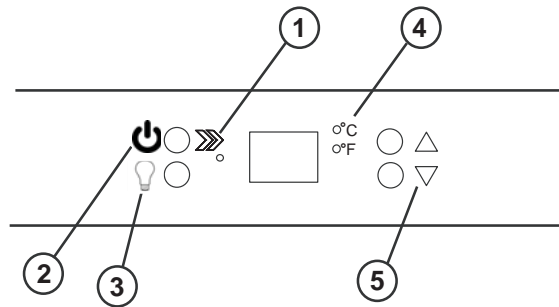
### 7. Leveling Legs

**8. Interior Light (not shown):** Cool White - LED lighting illuminates the interior without the heat of an incandescent bulb.

# Operating Instructions

## The Controls of your Beverage Center

1.  Indicator light illuminates to signify the cooling mode is currently in operation.
2.  **Button**  
To control this appliance turn ON/OFF (press and hold this buttons for approximately 3 seconds).
3.  **Button**  
To control the inner light turn ON/OFF. (If you press this button, the inner light is not controlled by the reed switch, and keep lighting.)



4. **°C / °F**  
Adjacent indicator light denotes which scale of temperature is displayed.
5. **△ Button**  
Used to raise (warmer) the temperature in 1° degree increments.  
**▽ Button**  
Used to decrease (cooler) the temperature in 1° degree decrements.

## Setting the Temperature

### NOTE

When you plug in your beverage center for the first time, the temperatures will automatically be set to 54°F (12°C) and will be displayed in the Fahrenheit scale (°F).

• The temperature range can be set as low as 36°F (2°C) or as high as 64°F (18°C) to suit your specific storage requirements. Each depression of the  $\triangle$  or  $\nabla$  button will allow you adjust the temperature in 1° degree increments within the aforementioned range.

• To switch the display between the Fahrenheit (°F) and Celsius (°C) scale, depress the  $\triangle$  and  $\nabla$  control buttons simultaneously for approximately five(5) seconds.

## Function instruction

### NOTE

If too many bottles are put in at once or the door has not been closed tightly, the unit will display the "HI" signal in the display panel. This is normal. Please wait 5 minutes after you close the door and "HI" will disappear.

It is normal that the cabinet shows "HI" or "LO" from time to time, If it occurs frequently or lasts for a long time, you can restart the unit by unplugging it. If the problem occurs once again after restart, please contact customer service.

### • Temperature Memory Function

In the event of a power interruption the Beverager Center can remember the previous temperature settings, and when the power is restored the cabinet temperature will go back to the same setting temperature as before.

### • Door Ajar Alarm Function

If the door is not closed completely the alarm will sound after 5 minutes. Please close the door completely to avoid the loss of cold energy.

### • Temperature Alarm Function

If inner temperature is higher than 73°F(23°C), "HI" is shown in the display panel, and the alarm will sound after one hour. If inner temperature is lower than 28°F(-2°C), "LO" is shown in the display panel and the alarm will sound. Refer to the trouble shooting guide on page 11 for more information.

# Operating Instructions

## Beverage Storage

### IMPORTANT!

- The maximum\* capacity of the DBC031D1BSSPR is 66 (350ml) beverage cans and 4 (750ml) bottles.

- Store beverages in sealed containers only.

- \* When stocked as per instructions.

In order to achieve the maximum storage capacity of sixty-six (66) cans and four (4) bottles, it will be necessary to position the cans alternately on the upper three glass shelves, as shown in (Fig.B) This will allow for the storage of twenty-two (22) 350 ml cans per of shelf in each of the top three shelves. The bottom can hold an additional four (4) bottles (Fig.C)

Fig B

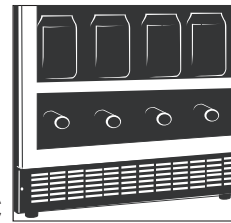
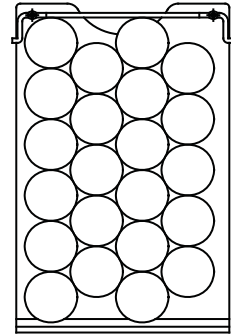


Fig C

## Shelf Instructions

### IMPORTANT!

Do not cover shelves with aluminum foil or any other material that will prevent adequate air circulation within the cabinet

To Remove Glass Shelves:

1. Lift the back of the shelf up so the shelf pegs are above the lower rail.
2. Slide the shelf out of the unit with the pegs on the upper rail. (Fig.D)

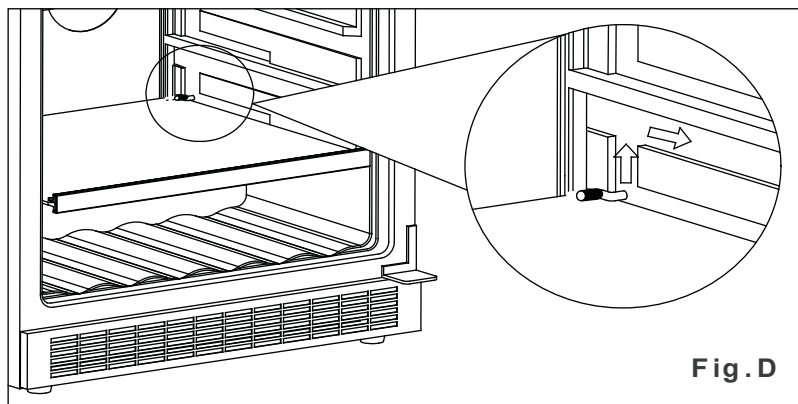
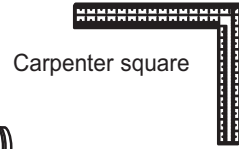
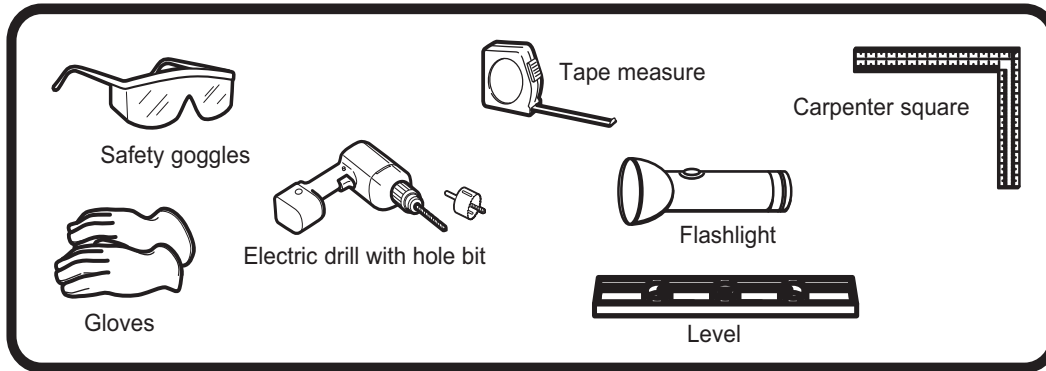


Fig. D



# Installation Instructions - Intergrated Application

## Tools You Will Need



**While performing installations described in this section, gloves, safety glasses or goggles should be worn.**

## Preparing the Enclosure

### Electrical Requirements:

**The appliance must be connected to an individual properly grounded electrical outlet, protected by a 15 or 20 ampere circuit breaker or time delay fuse.**

- It is recommended that you do not install the beverage cooler into a corner (i.e. directly beside a wall). This is to allow the door(s) to have a greater than 90° opening swing. A limited door swing will prevent the shelves from sliding out as intended, and may lead to damaging the door gasket(s).
- The rough cabinet opening must be on a level floor area and at least 23 1/16" deep (63.2cm) by 15 1/16" (38.6cm) wide. The opening should also have a height of at least 34 9/16" (86.8 cm).

- The electrical outlet may be positioned from within either side of the adjacent cabinetry, or the rear of the shaded area (as shown in Fig F).

**Important:** If the electrical outlet is surface mounted (not flush) within the enclosure, the depth requirement for the installation may be affected.

- If the electrical outlet is located inside the adjacent cabinetry, cut a 1-1/2" (3.81cm) diameter hole to admit the power cord. If the cabinet wall is metal, the hole edge must be covered with a bushing or grommet.

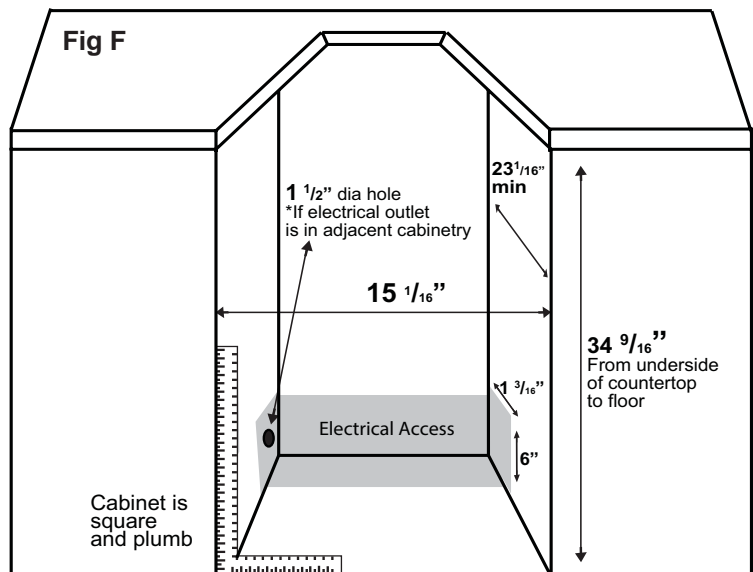


Fig E

### NOTE:

**This unit is front breathing. Do not block the front air vent. Blockage of the vent will result in high operating temperatures and system failure. (Fig.E)**

*\*The listed depth requirement for the installation is assuming that the electrical outlet is located in the adjacent cabinetry or is flush mounted in the rear wall, not surface mounted in the enclosure.*



# Installation Instructions - Door Swing Reversal

Fig 1A

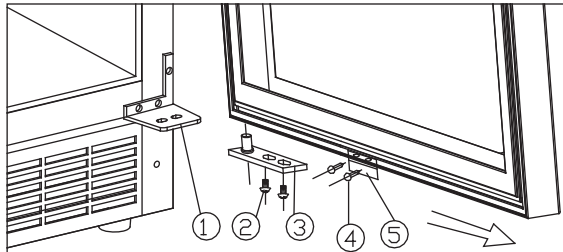


Fig 1B

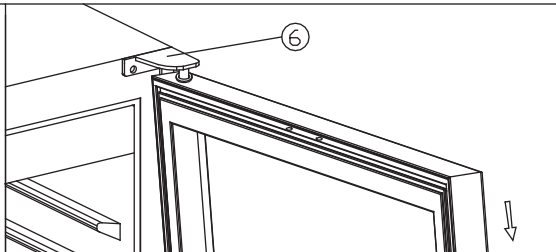


Fig 1C

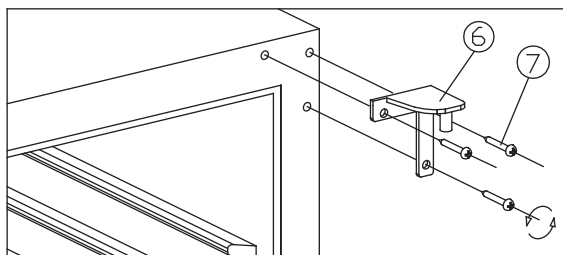


Fig 1D

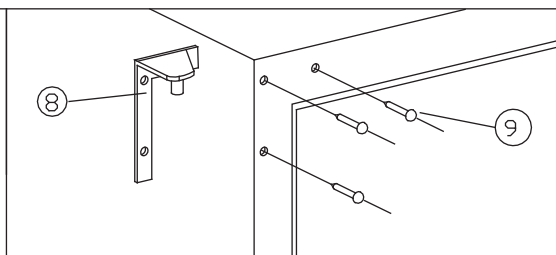
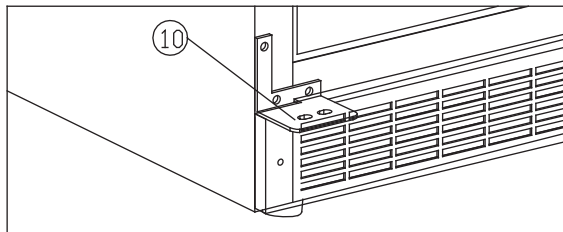


Fig 1E



- |                        |                    |                     |
|------------------------|--------------------|---------------------|
| ① Bottom hinge (Right) | ② Screws           | ③ Door axis         |
| ④ Screws               | ⑤ Reed switch      | ⑥ Top hinge (Right) |
| ⑦ Screws               | ⑧ Top hinge (Left) | ⑨ Decorative nail   |
| ⑩ Bottom hinge (Left)  |                    |                     |

1. When open the door 90 degree, take out 2 screws from lower door axis (3), remove the door refer Fig. 1A, then pull out the door and door axis (Fig. 1A).
2. Put the door safety, unscrew 2 screws (4) at bottom and remove the Reed switch (5), then install (5) at top of door frame, (Fig. 1A/1B)
3. Make out 3 screws (7) from top hinge (right) (6) and remove the right top hinge. (Fig. 1C)
4. Remove decorative nail (9) from left top of cabinet and install spare top hinge (Left) (8) at left top of cabinet with 3 screws. (Fig. 1D)
5. According above procedure, install spare lower hinge (left) (10) onto left lower cabinet. (Fig. 1E)
6. The door revolves 180 degrees, install the door with same way it was removed and fix it with door alightment.
7. Block the hole at right top of cabinet with spare decorative nail.

**Please note:** Do not lay unit on it's back.

# Care and Cleaning

## Helpful Hints

Allow the beverage center door to remain open for a few minutes after manual cleaning to air out and dry the inside of the beverage center cabinet.

**NOTE:** Be certain the power is off before cleaning any part of this appliance.

## How to Clean the Inside

**Never use any commercial or abrasive cleaners or sharp objects on any part of the beverage center.**

### Walls, Floor, Inside Window, and Shelves

Some water deposits and dust can be removed with a dry paper towel, others may require a damp cloth.

## How to Clean the Outside

**Do not use cleaners containing ammonia or alcohol on the beverage center.**

**Ammonia or alcohol can damage the appearance of the appliance.**

### Outer Case

It's important to keep the area clean where the door seals against the cabinet. Clean this area with a sudsy cloth. Rinse and then dry.

### Door surface

Use only mild, non-abrasive detergents applied with a clean sponge or soft cloth. Rinse well.

### Control Panel and Door

Wipe with a damp cloth and dry thoroughly. Do not use cleaning sprays, large amounts of soap and water, abrasive or sharp objects on the panel—they can damage it. Some paper towels may also scratch the control panel and door glass.

# Trouble Shooting

Occasionally, a problem is minor and a service call may not be necessary - use this trouble shooting guide for a possible solution. If the unit continues to operate improperly, call an authorized service depot or toll free at **1-844-455-6097**

Problem	Possible Cause	What to do
<b>No Power</b>	A fuse in your home may be blown or the circuit breaker tripped	Replace fuse or reset circuit breaker
	Power surge	Unplug the beverage center, wait a few seconds and then plug it back in
	Plug not fully inserted into wall outlet	Make sure the 3-prong plug is fully inserted into outlet
<b>Cabinet Temperature too High</b>	Temperature setting	Verify the temperature control setting Adjust if necessary
	Door not shut properly or opened excessively	Ensure that the door is fully closed and that the gasket is sealing against the cabinet. Open the doors only as needed and for short periods of time
	Exhaust vent is obstructed	Verify there is nothing blocking the front mounted exhausting vent
	Recently added a large quantity of warm beverages to the cabinet	Limit the quantity of warm beverages being introduced to the cabinet at the same time. Attempt to stagger the load introduction if possible
<b>Alarm beeping and "HI" is displayed on the control panel</b>	Recently added a large quantity of warm bottles or cant to the cabinet	Limit the quantity of warm items being introduced to the cabinet
	The door is not closed tightly	Be sure the door is closed tightly
	System leak, Evaporator fan failure, compressor fan failure	Contact service center. To stop beeping, unplug the unit.
<b>Alarm beeping and "LO" is displayed in the control panel</b>	Sensor failure, Evaporator temperature too low	Contact service center. To stop beeping, unplug the unit
<b>Condensation on the cabinet and/or doors</b>	High humidity conditions in the home	The condensation will subside once humidity conditions return to normal
	Door not shut properly or opened excessively	Ensure that the door is fully closed and that the gasket is sealing against the cabinet. Open the door only as needed and for short periods of time



## LIMITED IN-HOME APPLIANCE WARRANTY

This quality product is warranted to be free from manufacturer's defects in material and workmanship, provided that the unit is used under the normal operating conditions intended by the manufacturer.

This warranty is available only to the person to whom the unit was originally sold by Danby Products Limited (Canada) or Danby Products Inc. (U.S.A.) (hereafter "Danby") or by an authorized distributor of Danby, and is non-transferable.

### TERMS OF WARRANTY

Plastic parts, are warranted for thirty (30) days only from purchase date, with no extensions provided.

*First 24 Months* During the first twenty four (24) months, any functional parts of this product found to be defective, will be repaired or replaced, at warrantor's option, at no charge to the ORIGINAL purchaser.

*To obtain Service* Danby reserves the right to limit the boundaries of "In Home Service" to the proximity of an Authorized Service Depot. Any appliance requiring service outside the limited boundaries of "In Home Service", it will be the consumer's responsibility to transport the appliance (at their own expense) to the original retailer (point of purchase) or a service depot for repair. See "Boundaries of In Home Service" below. Contact your dealer from whom your unit was purchased, or contact your nearest authorized Danby service depot, where service must be performed by a qualified service technician.  
If service is performed on the unit by anyone other than an authorized service depot, or the unit is used for commercial application, all obligations of Danby under this warranty shall be void.

*Boundaries of In Home Service* If the appliance is installed in a location that is 100 kilometers (62 miles) or more from the nearest service center your unit must be delivered to the nearest authorized Danby Service Depot, as service must only be performed by a technician qualified and certified for warranty service by Danby. Transportation charges to and from the service location are not protected by this warranty and are the responsibility of the purchaser.

Nothing within this warranty shall imply that Danby will be responsible or liable for any spoilage or damage to food or other contents of this appliance, whether due to any defect of the appliance, or its use, whether proper or improper.

### EXCLUSIONS

Save as herein provided, Danby, there are no other warranties, conditions, representations or guarantees, express or implied, made or intended by Danby or its authorized distributors and all other warranties, conditions, representations or guarantees, including any warranties, conditions, representations or guarantees under any Sale of Goods Act or like legislation or statute is hereby expressly excluded. Save as herein provided, Danby shall not be responsible for any damages to persons or property, including the unit itself, howsoever caused or any consequential damages arising from the malfunction of the unit and by the purchase of the unit, the purchaser does hereby agree to indemnify and hold harmless Danby from any claim for damages to persons or property caused by the unit.

### GENERAL PROVISIONS

No warranty or insurance herein contained or set out shall apply when damage or repair is caused by any of the following:

- 1) Power failure.
- 2) Damage in transit or when moving the appliance.
- 3) Improper power supply such as low voltage, defective house wiring or inadequate fuses.
- 4) Accident, alteration, abuse or misuse of the appliance such as inadequate air circulation in the room or abnormal operating conditions (extremely high or low room temperature).
- 5) Use for commercial or industrial purposes (ie. If the appliance is not installed in a domestic residence).
- 6) Fire, water damage, theft, war, riot, hostility, acts of God such as hurricanes, floods etc.
- 7) Service calls resulting in customer education.
- 8) Improper Installation (ie. Building-in of a free standing appliance or using an appliance outdoors that is not approved for outdoor application).

Proof of purchase date will be required for warranty claims; so, please retain bills of sale. In the event warranty service is required, present this document to our AUTHORIZED SERVICE DEPOT.

Warranty Service  
In-home

Danby Products Limited  
PO Box 1778, Guelph, Ontario, Canada N1H 6Z9  
Telephone: (519) 837-0920 FAX: (519) 837-0449

1-844-455-6097

Danby Products Inc.  
PO Box 669, Findlay, Ohio, U.S.A. 45840  
Telephone: (419) 425-8627 FAX: (419) 425-8629

# TABLE DES MATIÈRES

---

## Informations de sécurité importantes

15

Précautions	15
Instructions de mise à la terre	16

---

## Instructions de fonctionnement

17

Caractéristiques de votre centre de breuvages	17
Commandes de votre centre de breuvages	18
Réglage de la température	18
Instruction de fonction	18
Entreposage des breuvages	19
Instruction des tablettes	19

---

## Instructions d'installation

20

Outils nécessaires	20
Préparation de l'enceinte	20
Inverse ouverture de la porte	21

---

## Soin et nettoyage

22

Conseils utiles	22
Comment nettoyer l'intérieur	22
Comment nettoyer l'extérieur	22

---

## En cas de panne

23

Avant de placer un appel de service	23
Garantie	24

## BIENVENUE

Bienvenue dans la famille Danby. Nous sommes fiers de nos produits de qualité et croyons au bien fondé de fournir une assistance fiable à nos clients.

Vous le découvrirez par ce guide facile d'utilisation et vous pourrez l'entendre en provenance des voix amicales de notre service d'assistance à la clientèle.  
**Tél.: 1-844-455-6097**

Mais, ce qui est encore mieux, vous pourrez bénéficier de ces valeurs à chaque utilisation de votre centre de breuvages. Ceci est important parce que votre nouvelle appareil fera partie de votre famille pour longtemps.

## Point de départ...AVANT d'utiliser votre Centre de Breuvages

Enregistrez ici les numéros de modèle et de série. Ces numéros se trouvent sur l'étiquette au dos de l'appareil.

Agrafez votre reçu d'achat à l'intérieur de la couverture arrière de de guide. Il sera requis pour faire une réclamation de la garantie.

Numéro de modèle **DBC031D1BSSPR**

Numéro de série \_\_\_\_\_

Date d'achat \_\_\_\_\_

## EN CAS DE BESOIN D'ASSISTANCE

Voici quelques contributions que vous pouvez effectuer avant de faire un appel de service, pour nous aider à mieux vous servir :

### Lisez ce guide

Il comprend des instructions pour vous assister à l'utilisation et l'entretien adéquats de votre centre de breuvages

### Si votre appareil neuf est avarié

Communiquez immédiatement avec le revendeur (ou le manufacturier).

### Épargnez temps et argents

Avant de faire un appel de service, révisez le chapitre intitulé "Dépannage". Ce chapitre vous aidera à solutionner des problèmes communs qui pourraient survenir. Si une réparation est requise, vous pouvez avoir l'esprit tranquille parce que de l'aide ne sera l'affaire que d'un appel téléphonique.

**Tél.: 1-844-455-6097**

# INFORMATIONS DE SÉCURITÉ IMPORTANTES

## LISEZ TOUTES LES INFORMATIONS DE SÉCURITÉ AVANT DE FAIRE FONCTIONNER L'APPAREIL

### AVERTISSEMENT

#### DANGER, RISQUE DES ENFANTS DEVIENNENT COINCER DANS L'APPAREIL

Un Centre de breuvages vide est une attraction dangereuse aux enfants. Enlever les joints étanches, les loquets, les couvercles ou les porte des appareils qui ne sont pas utiliser, ou faites de soit que l'appareil ne présente aucun danger

**N'ATTENDEZ PAS! FAITES-LE IMMEDIATEMEN!**

Pour minimiser le risque d'incendie, de brûlures, de chocs électriques ou de blessures, suivez les chapitres suivants en plus d'appliquer les précautions de base.

### PRÉCAUTIONS

- Cet appareil doit être mis à la terre. Branchez le seulement dans une prise correctement mise à la terre. Référez-vous au chapitre intitulé "Instructions de mise à la terre" à la page 16.
- Ne faites pas fonctionner cet appareil s'il a un cordon ou fiche électrique endommagé, s'il ne fonctionne pas correctement, ou si l'appareil a été endommagé ou échappé.
- N'épissez pas le cordon électrique
- Gardez le cordon électrique éloigné des sources de chaleur.
- N'immersez pas le cordon ou sa fiche dans aucun liquide.
- N'utilisez pas cet appareil près de bassins d'eau, par exemple dans un sous-sol détrempe, près d'une piscine ou d'un évier.
- N'utilisez pas de produits chimiques ou vapeurs corrosives dans/près de cet appareil.
- N'utilisez cet appareil que pour les fins auxquelles il est conçu comme indiqué dans ce guide.
- Ne placez pas les articles périssables de nourriture dans votre centre de breuvages. (Pour exemple, les viandes et les produits laitiers)
- Entreposez le vin dans des bouteilles scellées seulement.
- Référez-vous aux instructions de nettoyage du fini de la porte se trouvant au(x) chapitre(s) de Soins et nettoyage de ce guide.
- Ne recouvrez pas ou n'obstruez aucune ouverture de l'appareil.
- Cet appareil est conçu pour un usage domestique à l'intérieur seulement. N'entreposez ni n'utilisez pas cet appareil à l'extérieur.
- Cet appareil ne devrait être réparé que par du personnel qualifié. Pour tout examen, réparation ou réglage, contactez votre centre de service le plus rapproché.

**SAUVEGARDEZ CES INSTRUCTIONS**



# INFORMATIONS DE SÉCURITÉ IMPORTANTES

## INSTRUCTIONS DE MISE À LA TERRE

### AVERTISSEMENT

**Une mauvaise utilisation de la mise à la terre de la fiche constitue un danger d'électrocution.**

Cet appareil doit être mis à la terre. Dans l'éventualité d'un court-circuit, la mise à la terre procure un chemin direct de contournement du courant pour prévenir l'électrocution des manipulateurs de l'appareil.

Cet appareil est muni d'un cordon comprenant une fiche et fil de mise à la terre.

La fiche doit être branchée dans une prise correctement installée et mise à la terre.

Si les directives de mise à la terre ne sont pas tout à fait comprises ou en cas de tout doute relatif à la mise à la terre appropriée de l'appareil, faites appel à un électricien ou à un technicien qualifié.

Si la prise murale est une prise à 2 branches, c'est votre obligation, et la responsabilité vous en incombe, de la faire remplacer par une prise à trois branches adéquatement mise à la terre.

Pour un meilleur rendement et pour éviter que les ampoules d'éclairage de la résidence soient affectées d'un affaiblissement de tension, ou que le fusible ou disjoncteur du circuit ne grille ou ne se déclenche, dédiez un circuit individuel d'alimentation à la machine à glaçons (prise (double) unique sur le circuit).

**Sous aucun** prétexte il est permis de couper ou d'enlever la troisième branche (mise à la terre) de la fiche du cordon électrique.

**N'utilisez pas** d'adaptateur de fiche avec cet appareil.

**N'utilisez pas** de cordon de rallonge avec cet appareil. Si le cordon électrique de l'appareil ne rejoint pas la prise murale, faites installer une prise plus rapprochée par un électricien ou un technicien qualifié.

## Instructions de mise à niveau

### AVERTISSEMENT!

#### **Danger de poids excessif**

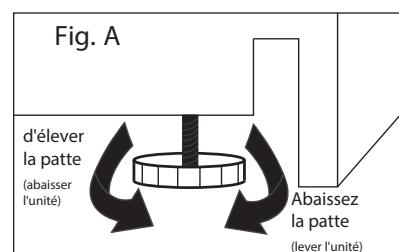
Il faut deux personnes ou plus pour déplacer le centre de brevages.

Sous le conduit de ventilation du centre de brevages, deux pattes de réglage de niveau sont situées sur chaque côté du conduit de ventilation. Il est important que votre centre de brevages soit à niveau. Pour mettre le centre de brevages à niveau :

1. Installez le centre de brevages à sa position finale.
2. Demandez à une autre personne d'appliquer une légère pression sur la partie avant supérieure du centre de brevages pour l'incliner et alléger la

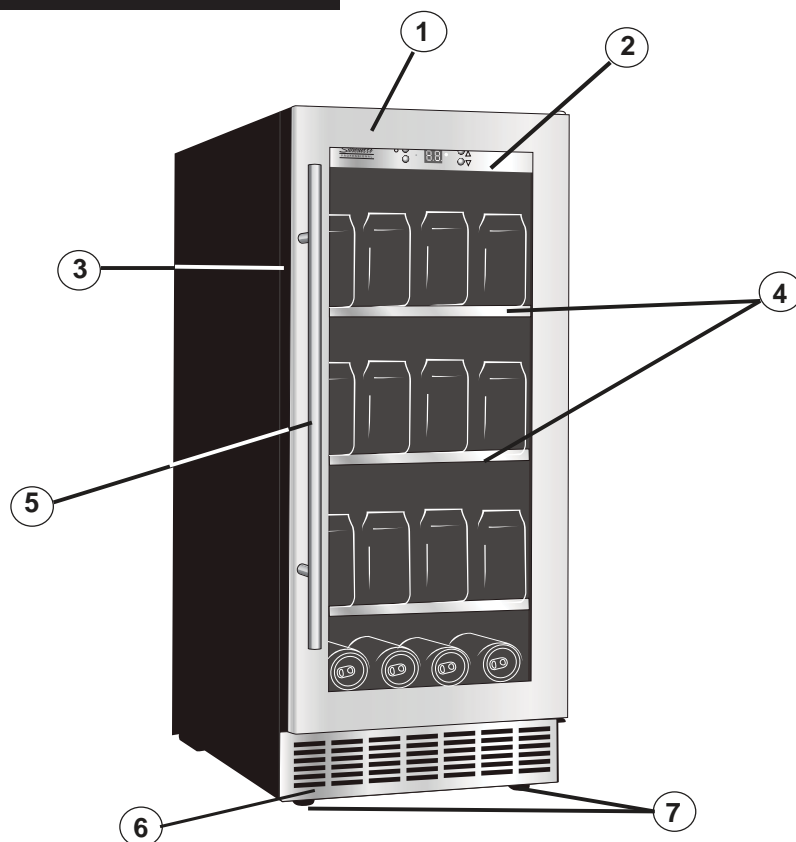
pesanteur sur les pattes de réglage de mise à niveau.

3. Pivotez les pattes de mise à niveau dans le sens des aiguilles d'une montre pour lever le centre de brevages ou dans le sens contraire pour l'abaisser. Continuez le procédé jusqu'à ce que le refroidisseur soit à niveau. Voir la Fig. A .



# Instructions de fonctionnement

## Caractéristiques de votre Centre de Breuvages



**1. Portes en Verre Trepé:**

Verre à faible émissivité - Utilisé à réfléchir et à absorber la chaleur.

**2. Contrôles Électroniques :** Contrôle de la température de l'unité

**3. Joint Étanche Magnétique :** Le joint étanche permet de conserver le niveau de température et d'humidité à l'intérieur du cabinet.

**4. Étagères en verre**

**5. Poignée**

**6. Échappement sur le Devant:** Pour des applications intégrées cabinet.

**7. Pieds de nivellement**

**8. Lumière Intérieures (non illustré):** S'allume lorsqu'on ouvre la porte du cabinet.

# Instructions de fonctionnement

## Commandes de votre Centre de Breuvages



1. Le voyant s'allume pour indiquer que le cycle de refroidissement est présentement en marche.



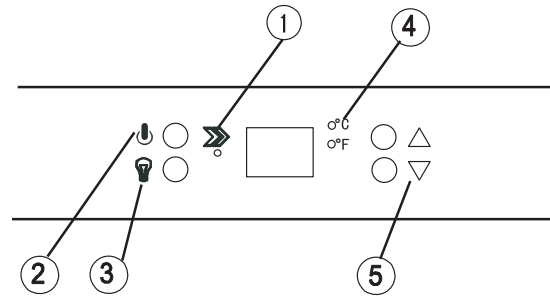
2. Pour contrôler cet appareil allumer / éteindre (Appuyez et maintenez ces bouton pour environ 3 secondes).



3. Manuellement illuminer ou éteignez les lumières intérieures.

C° / F°

4. Le voyant situés à côté, dénote quelle balance de la température est montrée.



5. '△' HAUT bouton de commande Augmenter la température (plus chaud) par intervalle de un degré

'▽' BAS bouton de commande Diminuer la température (plus froid) par intervalle de un degré.

## Réglage du température

Lorsque vous branchez votre réfrigérateur pour boissons pour la première fois, les températures seront automatiquement réglées à 54°F (12°C) et sera affichée dans l'échelle Fahrenheit (°F).

- La température pour les peut être ajustée aussi basse que 36°F (2°C) ou aussi haut que 64°F (18°C) pour satisfaire à vos besoins spécifiques pour votre entreposage de boisson. Chaque pression du bouton commande 'HAUTE' ou 'BAS' vous permettra d'ajuster la température par intervalle de un degré dans la marge mentionnée ci-dessus.

- Pour changer l'affichage entre la température en Celsius (°C) et la température en Fahrenheit (°F) appuyez sur les boutons de contrôle HAUTE et BAS en même temps pour environ 3 secondes.

## Instruction de fonction

### REMARQUE!

Si trop de bouteilles ou canettes sont mises dans le refroidisseur en même temps ou si la porte n'est pas bien fermée, il est possible que « HI » apparaisse sur l'afficheur. C'est un phénomène normal : attendez quelques minutes après avoir fermé la porte et « HI » disparaîtra.

Il est normal que le cabinet indique « HI » ou « LO » de temps à autre. Si cela se produit fréquemment ou dure longtemps, vous pouvez éteindre l'appareil, puis le rallumer, pour corriger la situation. Si le problème se reproduit après le redémarrage de l'appareil, veuillez communiquer avec le service après-vente pour obtenir de l'aide.

### • Fonction de mémorisation de la température

En cas de panne de courant, le centre de breuvages peut sauvegarder les réglages précédents de la température, et lors du rétablissement du courant, la température du cabinet retournera à la température réglée avant la panne de courant.

### • Fonction d'alarme de rappel de porte ouverte

Si vous oubliez de fermer la porte ou celle-ci n'est pas bien fermée, l'alarme retentit au bout de 5 minutes. Veuillez fermer complètement la porte et éviter que le froid s'échappe.

### • Fonction d'alarme de température

Lorsque la température intérieure est à plus de 23°C (73°F), on peut lire « HI » sur le panneau d'affichage, ou advenant cette situation, l'alarme se déclenche après une heure. Lorsque la température intérieure est à moins de -2°C (28°F), on peut lire « LO » sur le panneau d'affichage et l'alarme se déclenche. Pour de plus amples informations, veuillez consulter la page 23 du guide de l'utilisateur en cas de problèmes.

# Instructions de fonctionnement

## Entreposage des breuvages

La capacité maximale de la DBC031D1BSSPR est de 66 canettes (350ml) et (4) bouteilles de vin (750ml).

*\*Quand il est stocké en utilisant les instructions.*

Afin de réaliser la capacité d'entreposage maximum de trente-quatre (66) canettes et quatre (4) bouteilles de vin, il sera nécessaire de positionner les canettes en alternance sur les trois clayettes du haut. Cela permettra d'entrepoiser dix-sept (22) canettes de 355ml (Fig. B) par clayette sur chacune des trois clayettes supérieures. La tablette inférieure peut contenir quatre (4) boutrilles supplémentaires. (Fig.C)

Fig B

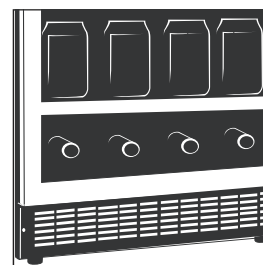
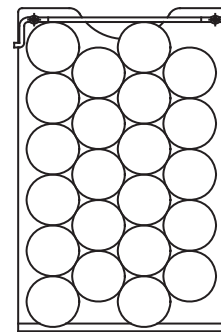


Fig C

## Instructions pour tablettes

Ne recouvrez PAS les étagères de feuilles d'aluminium ou de tout autre membrane qui préviendrait la circulation de l'air à l'intérieur du cabinet.

### Pour retirer les étagères de verre :

1. Soulever vers le haut la partie arrière de l'étagère, de manière à ce que les crochets de l'étagère soient au-dessus du rail inférieur
2. Glisser l'étagère hors de l'appareil les crochets étant sur le rail supérieur.

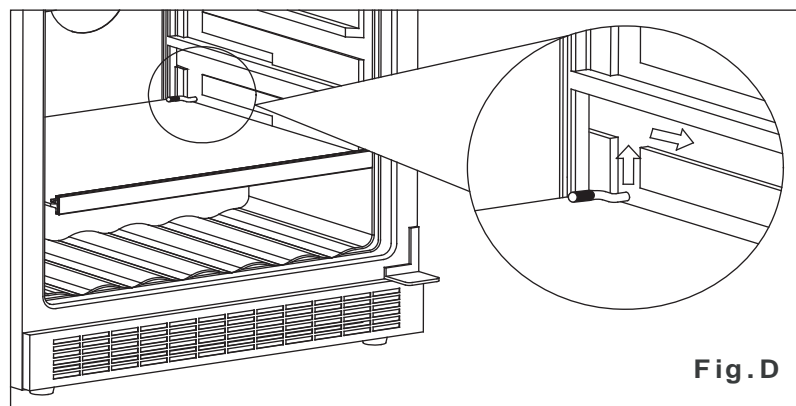
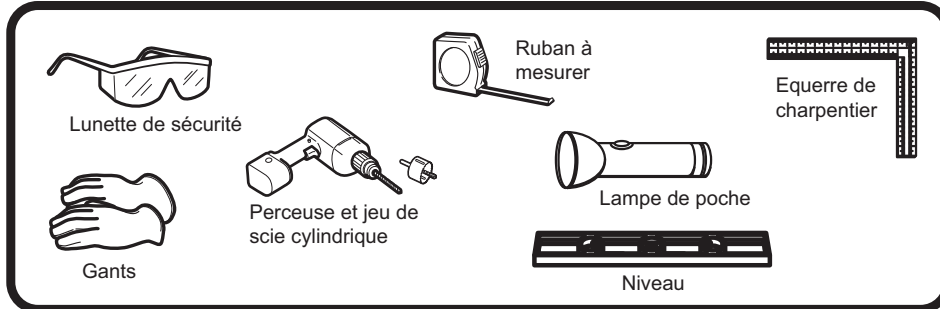


Fig.D

# Instructions d'installation - Application Intégré

## Outils nécessaires



### AVERTISSEMENT!

En faire les installations décrites dans cette section, des gants, les lunette de sûcurité devraient être portés.

## Préparation de l'enceinte

### Alimentation

Cet appareil doit être raccordé à un circuit de dérivation individuel correctement mis à la terre, protégé par un disjoncteur de 15 ou 20 ampères ou d'un fusible temporisé.

- Nous recommandons que vous n'installez pas le centre de breuvages dans un coin (directement près d'un mur). Ceci permettre les portes d'avoir une oscillation plus grande que 90°. Une oscillation d'ouverture qui est limitée, empêchera les étagères de glisser dehors comme supposé, et peut endommager la garniture de porte., empêchera les étagères de glisser dehors comme supposé, et peut endommager la garniture de porte.
- L'ouverture brute de l'armoire doit être sur une surface niveau avec le plancher et d'au moins

$23 \frac{1}{16}$  po de profondeur par  $15 \frac{1}{16}$  po largeur. L'ouverture devrait être à une hauteur maximale de  $34 \frac{9}{16}$  po.

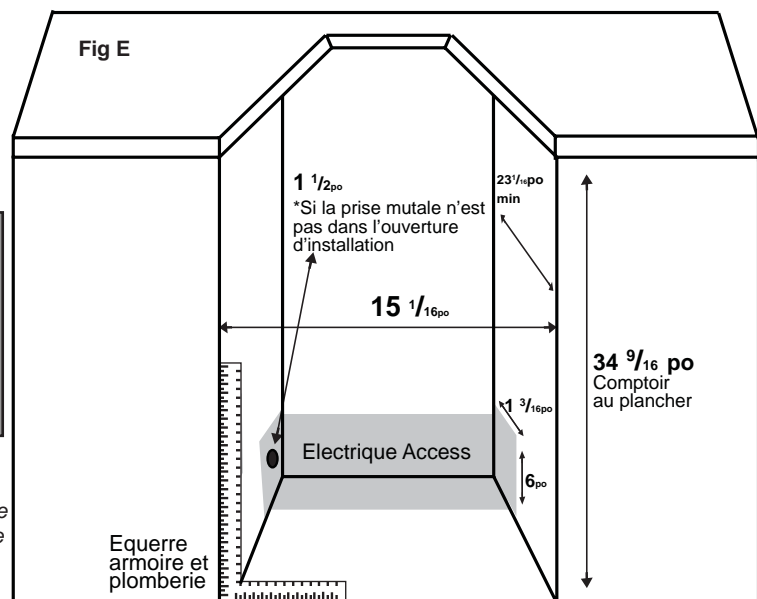
- La prise murale peut être placé de l'un ou l'autre côté si la prise murale n'est pas dans l'ouverture d'installation, ou de l'arrière du secteur ombragé (comme montré dans fig E.).
- Si la prise murale et dans l'autre armoire, percez un trou de  $1 \frac{1}{2}$  po de diamètre afin d'insérer le câb le électrique. Si l'armoire est fai te de métal, le borddu trou doit être couvert d'une bague ou d'un pass e-câble.



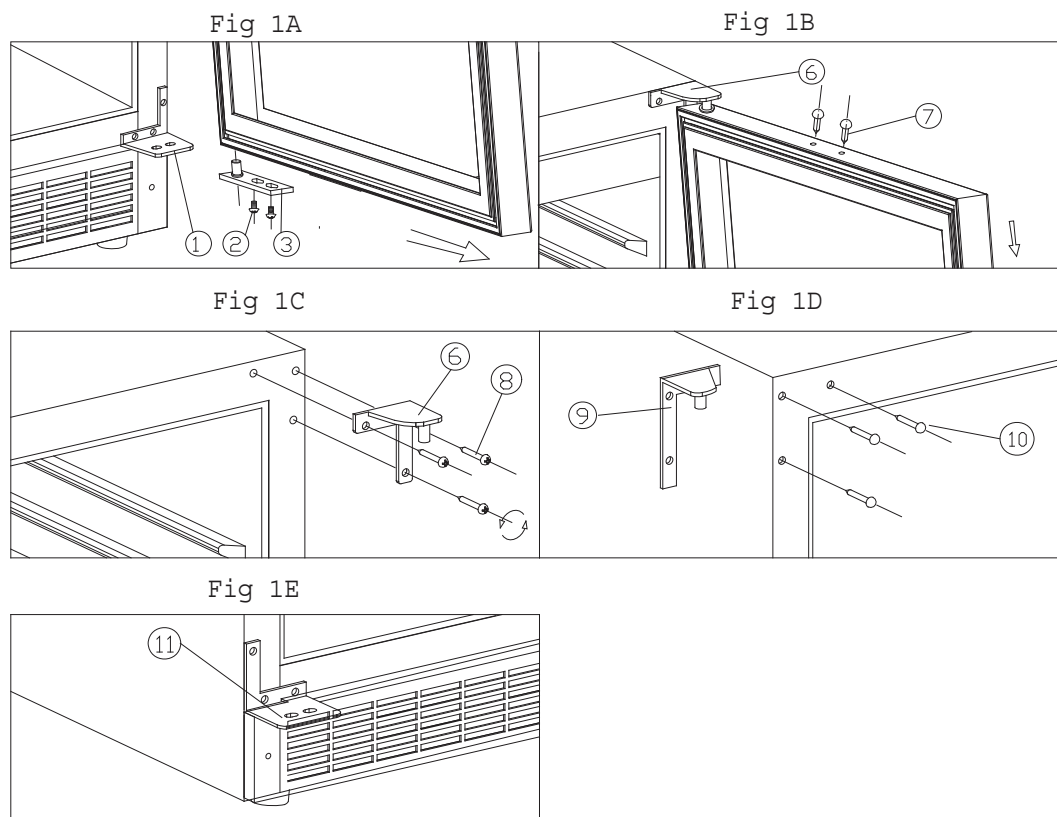
### NOTE:

Cette unité est la respiration avant. Ne bloquez pas la bouche d'aération sur la face avant de l'appareil. Le blocage de la bouche d'aération se traduira par des températures de fonctionnement élevées et de défaillance du système. (Fig.F)

\* Le requirment de profondeur pour l'installation suppose que la prise murale est localisée dans une autre armoire ou est monté dans le mur, pas monté sur la surface dedans l'ouverture



# Instructions d'installation - Renversement de la Porte



- |                                 |                                 |
|---------------------------------|---------------------------------|
| ① Charnière inférieure (droite) | ⑧ Vis                           |
| ② Vis                           | ⑨ Charnière supérieure (gauche) |
| ③ Axe de la porte               | ⑩ Clou décoratif                |
| ⑥ Top hinge (Right)             | ⑪ Charnière inférieure (gauche) |
| ⑦ Clou décoratif                |                                 |

- Ouvrez la porte à 90 degrés, puis enlevez les 2 vis de l'axe inférieur de la porte (3) et enlevez la porte 1. (fig.1A); maintenant, tirez sur la porte et l'axe de la porte (fig. 1A). pour les enlever
- Mettez la porte de côté et enlevez le clou décoratif (7) du dessus du cadre de la porte,
- Enlevez 3 vis (8) de la charnière supérieure droite (6) et enlevez la charnière supérieure droite. (fig. 1C)
- Enlevez le clou décoratif (10) du coin supérieur gauche du cabinet et installez la charnière supérieure gauche supplémentaire (9) dans le coin supérieur gauche de l'armoire au moyen de 3 vis. (fig. 1D)
- En suivant la procédure décrite ci-dessus, installez la charnière inférieure gauche supplémentaire (11) dans le coin inférieur gauche du cabinet. (Fig.1E)
- La porte pivote sur 180 degrés; installez la porte dans la même direction que lorsqu'elle a été enlevée et alignez-la correctement.

**NOTE:** Ne pas mettre l'unité sur son dos.

## Soins et entretien

### Conseils utiles

Laissez la porte de la machine ouverte durant quelques 20 minutes pour aérer et assécher l'intérieur de l'armoire après nettoyage.

**NOTE : Avant de nettoyer quelque partie que ce soit de cet appareil, assurez-vous que l'alimentation est coupée.**

### Comment nettoyer l'intérieur

**N'utilisez jamais de nettoyant industriels sur aucune partie de votre appareil.**

Parois, Plancher, Intérieur de la Visière et Tablettes

Certaines éclaboussures d'eau et poussières peuvent être essuyées avec des essuie-tout. D'autres taches peuvent nécessiter un linge humide.

### Comment nettoyer l'extérieur

**N'utilisez pas de produits nettoyants comprenant de l'ammoniaque ou de l'alcool sur l'appareil**

**L'ammoniaque ou l'alcool peuvent altérer le fini de l'appareil.**

Extérieur de l'armoire

Il est important de garder la région de scellement de la porte sur l'armoire propre. Nettoyez avec un tissu savonneux, rincez le région et puis séchez

Surface du Porte

N'utilisez que des détergents doux, non abrasifs, appliqués avec une éponge propre ou un chiffon doux. Rincez abondamment.

Panneau de commande et Porte

Essuyez avec un chiffon humide. Asséchez bien avec un chiffon sec. N'utilisez pas de nettoyants en aérosol, de grandes quantités d'eau et de savon, d'abrasifs ou d'objets acérés sur le panneau, ceci pourrait l'endommager. Certains essuie-tout peuvent aussi égratigner le panneau de commande et verre de la porte.

## En cas de panne

Il peut arriver qu'un problème mineur se produise qui ne nécessite pas d'appel de service : consultez ce guide de dépannage pour trouver une solution possible. Si l'appareil continue de mal fonctionner, appelez un atelier de réparation autorisé ou le numéro sans frais de 1-844-455-6097 pour obtenir de l'assistance.

Problème	Cause possible	Ce qu'il faut faire
<b>L'appareil n'est pas alimenté</b>	Un fusible de votre panneau de distribution peut être grillé ou le disjoncteur déclenché	Remplacez le fusible ou réarmez le disjoncteur
	Surtension	Débranchez la centre de breuvages et attendez quelques secondes, et puis rebranchez la
	La fiche n'est pas complètement insérée dans prise murale	Assurez-vous que la fiche à 3 branches de la centre de breuvages est complètement insérée dans la prise
<b>La température dans le cabinet est trop haute</b>	Réglage du température	Vérifiez que la commande est réglée à la bonne arrangement
	Le porte n'est pas fermées correctement ou ouverte trop souvent	Assurez-vous que la porte est fermées et que le joint étanche est contre le coffret. Ouvrez la porte seulement quand nécessaire
	L'échappement est obstrué	Vérifiez qu'il n'y a rien qui bloque l'échappement sur le devant
	Stocké une grande quantité de bouteilles ou canettes dans le cabinet	Limitez la quantité de bouteilles ou canettes qui sont stockées dans le cabinet en même temps
<b>L'alarme émet un bip et on peut lire « HI » sur le tableau d'affichage</b>	Une grande quantité de bouteilles à la température de la pièce a été récemment introduite dans le caisson de l'appareil	Réduisez l'introduction d'éléments à la température de la pièce dans le caisson
	La porte n'est pas fermée hermétiquement	Assurez-vous que la porte soit hermétiquement fermée
	Fuite dans le système, panne du ventilateur de l'évaporateur, panne du ventilateur du compresseur	Communiquez avec le centre de services. Pour interrompre le signal sonore de l'alarme, débranchez l'appareil
<b>L'alarme émet un bip et on peut lire « LO » sur le panneau d'affichage</b>	Panne du capteur, température de l'évaporateur trop basse	Communiquez avec le centre de services. Pour interrompre le signal sonore de l'alarme, débranchez l'appareil.
<b>L'eau de condensation sur le coffret et/ou les portes</b>	Niveau de humidité élevé dans la maison	La formation de l'eau de condensation s'arrêtera quand le niveau d'humidité retourne à normale
	La porte n'est pas fermées correctement ou son ouverte trop souvent	Assurez-vous que la porte est fermée et que le joint étanche est contre le coffret. Ouvrez la porte seulement quand nécessaire



## GARANTIE LIMITÉE SUR APPAREIL ÉLECTROMÉNAGER À DOMICILE

Cet appareil de qualité est garanti exempt de tout vice de matière première et de fabrication, s'il est utilisé dans les conditions normales recommandées par le fabricant.

Cette garantie n'est offerte qu'à l'acheteur initial de l'appareil vendu par Danby Products Limited (Canada) ou Danby Products Inc. (E.-U. d'A) (ci-après "Danby") ou par l'un de ses distributeurs agréés et elle ne peut être transférée.

### CONDITIONS

Les pièces en plastique sont garanties pour trente (30) jours seulement à partir de la date de l'achat, sans aucune prolongation prévue.

*Première 24 mois* Pendant les vingt quatre (24) mois, toutes pièces fonctionnelles de ce produit s'avèrent défectueuses, seront réparées ou remplacées, selon le choix du garant, sans frais à l'acheteur INITIAL.

*Pour bénéficiaire du Service* Le client sera responsable pour le transport et tous les frais d'expédition de tout appareil exigeant le service au dépôt de service autorisé le plus proche. S'adresser au détaillant qui a vendu l'appareil, ou à la station technique agréée de service la plus proche, où les réparations doivent être effectuées par un technicien qualifié. Si les réparations sont effectuées par quiconque autre que la station de service agréée ou à des fins commerciales, toutes les obligations de Danby en vertu de cette garantie seront annulées.

*Limites de l'entretien à domicile* Si l'appareil est installé à plus de 100 kilomètres (62 milles) du centre de service le plus proche, il doit être livré à l'atelier de réparation autorisé par Danby le plus proche, car l'entretien doit uniquement être réalisé par un technicien qualifié et certifié pour effectuer un entretien couvert par la garantie de Danby. Les frais de transport entre votre domicile et le lieu de l'entretien ne sont pas couverts par la présente garantie et doivent être acquittés par l'acheteur.

Cette garantie indique en aucun temps la responsabilité de Danby de l'avarie ou dommage de la vin ou autre contenu, soit par les vices de l'appareil, ou soit par l'utilisation convenable ou inexacte.

### EXCLUSIONS

En vertu de la présente, il n'existe aucune autre garantie, condition ou représentation, qu'elle soit exprimée ou tacite, de façon manifeste ou intentionnelle, par Danby ou ses distributeurs agréés. De même, sont exclues toutes les autres garanties, conditions ou représentations, y compris les garanties, conditions ou représentations en vertu de toute loi régissant la vente de produits ou de toute autre législation ou règlement semblables.

En vertu de la présente, Danby ne peut être tenue responsable en cas de blessures corporelles ou des dégâts matériels, y compris à l'appareil, quelle qu'en soit les causes. Danby ne peut pas être tenue responsable des dommages indirects dus au fonctionnement défectueux de l'appareil. En achetant l'appareil, l'acheteur accepte de mettre à couvert et de dégager Danby de toute responsabilité en cas de réclamation pour toute blessure corporelle ou tout dégât matériel causé par cet appareil.

### CONDITIONS GÉNÉRALES

La garantie ou assurance ci-dessus ne s'applique pas si les dégâts ou réparations sont dus aux cas suivants:

- 1) Panne de courant.
- 2) Dommages subis pendant le transport ou le déplacement de l'appareil.
- 3) Alimentation électrique incorrecte (tension faible, câblage défectueux, fusibles incorrects).
- 4) Accident, modification, emploi abusif ou incorrect de l'appareil tel qu'une circulation d'air inadéquate dans la pièce ou des conditions de fonctionnement anormales (température extrêmement élevée ou basse).
- 5) Utilisation dans un but commercial ou industriel (à savoir, si l'appareil n'est pas installé dans un domicile résidentiel).
- 6) Incendie, dommages causés par l'eau, vol, guerre, émeute, hostilités, cas de force majeure (ouragan, inondation, etc.).
- 7) Visites d'un technicien pour expliquer le fonctionnement de l'appareil au propriétaire.
- 8) Installation inappropriée (par exemple, encastrement d'un appareil autoportant, ou utilisation extérieure d'un appareil non conçu à cet effet).

Une preuve d'achat doit être présentée pour toute demande de réparation sous garantie. Prière de garder le reçu. Pour faire honorer la garantie, présenter ce document à la station technique agréée ou s'adresser à:

**Service sous-garantie**  
Service au domicile



PROFESSIONAL™/MC

**Model • Modèle**

**DBC031D1BSSPR**

For service, contact your nearest service depot or call:

**1-844-455-6097**

to recommend a depot in your area.

Pour obtenir de l'assistance, communiquez avec votre centre de service le plus rapproché ou composez le :

**1-844-455-6097**

pour localiser le dépositaire de votre région

### **Beverage Center**

The model number can be found on the serial plate located on the back panel of the unit.

All repair parts available for purchase or special order when you visit your nearest service depot. To request service and/or the location of the service depot nearest you, call the TOLL FREE NUMBER.

When requesting service or ordering parts, always provide the following information:

- Product Type
- Model Number
- Part Description

### **Centre de Breuvages**

Le numéro de modèle se trouve sur la plaque signalétique au dos de l'unité.

Vous pouvez vous procurer/commander toute pièce de rechange chez votre dépositaire le plus rapproché. Pour toute demande de service ou pour localiser le dépositaire/centre de service le plus rapproché, composez le NUMÉRO SANS FRAIS.

Pour toute demande de service ou commande de pièces, fournissez toujours l'information suivante :

- Type de produit
- Numéro de modèle
- Description de la pièce requise