



- OWNER'S USE AND CARE GUIDE
- GUIDE D'UTILISATION ET SOIN DE PROPRIÉTAIRE

• DBC047D1BSSPR

CAUTION

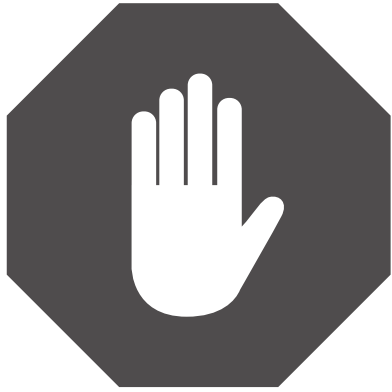
Read and follow all safety rules and operating instructions before first use of this product.

PRÉCAUTION

Veillez lire attentivement les consignes de sécurité et les instructions d'utilisation avant l'utilisation initiale de ce produit.



1-844-455-6097



1-844-455-6097

DO NOT RETURN THIS UNIT TO THE RETAILER WITHOUT FURTHER INSTRUCTIONS

Dear Valued Customer: We hope your Silhouette appliance fulfills all of your entertaining needs. Your satisfaction is our priority. Please contact our Customer Care Center toll-free via 1.844.455.6097 for any inquiries you may have about your new purchase.

NE PAS RETOURNER CET APPAREIL AU DÉTAILLANT JUSQU'À NOUVEL ORDRE

Cher client : nous espérons que votre appareil Silhouette répond adéquatement à tous vos besoins de divertissement. Notre priorité étant de vous satisfaire, si vous avez des questions ou des préoccupations relativement à votre nouvelle acquisition, veuillez communiquer avec notre Centre de service à la clientèle au numéro sans frais 1.844.455.6097.

CONTENTS

TABLE DES MATIÈRES

BEVERAGE CENTRE

Owner's Use and Care Guide.....1-11

- Safety Instructions
- Before Use
- Installation Instructions
- Features
- Operating Instructions
- Care and Maintenance
- Troubleshooting
- Warranty

CENTRE DE BREUVAGES

Guide d'utiliser et soin propriétaire.....12-22

- Consignes de sécurité
- Avant l'utilisation
- Notice d'installation
- Caractéristiques
- Consignes d'utilisation
- Soins et entretien
- Dépannage
- Garantie

CAUTION:

Read and follow all safety rules and operating instructions before first use of this product.

AVERTISSEMENT :

Veillez lire attentivement les consignes de sécurité et les instructions d'utilisation avant l'utilisation initiale de ce produit.

Welcome

We are proud of our quality products, and we believe in dependable service, like you will find in this Owner's Use and Care Guide, and like you will receive from our friendly customer service department. Best of all, you will experience these values each and every time you use your appliance. That is important, because your new appliance will be a part of your family for a long time.

**Note the information below; you will need this information to obtain service under warranty.
To receive service, you must provide the original receipt.**

Model Number:	_____
Serial Number:	_____
Date of Purchase:	_____

NEED HELP?

Before you call for service, here are a few things you can do to help us serve you better:

Read this Owner's Use and Care Guide:

It contains instructions to help you use and maintain your appliance properly.

If you received a damaged appliance:

Immediately contact the retailer (or builder) that sold you the appliance.

Save time and money:

Check the Troubleshooting section at the end of the guide before calling. This section helps you solve common problems that may occur.

If you do need service, you can relax, knowing help is only a phone call away.



1-844-455-6097



Important Safety Information

READ AND FOLLOW ALL SAFETY INSTRUCTIONS



IMPORTANT WARNING

An empty beverage centre is a very dangerous attraction to children. Remove either the gasket or lid from unused appliances, or take some other action that will guarantee it harmless.

DANGER: Risk of child entrapment. Before you throw away your old beverage centre:

- Take off doors.
- Leave the shelves in place so that children may not easily climb in.

DON'T WAIT! DO IT NOW!

This appliance must be grounded. In the event of an electrical short circuit, grounding reduces the risk of electrical shock by providing an escape wire for the electrical current.

ELECTRICAL REQUIREMENTS

WARNING

ELECTRICAL RATING: The serial rating plate indicates the voltage and frequency the appliance is designed for.

Please ensure that component parts shall be replaced with like components and that servicing shall be done by factory authorized service personnel, so as to minimize the risk of possible ignition due to incorrect parts or improper service.

To avoid installation / operation difficulties, read these instructions thoroughly.

- This appliance must be grounded. Connect only to a properly grounded outlet. See “Grounding Instructions” section.
- Do not operate this appliance if it has a damaged power cord or plug, if it is not working properly, or if the appliance has been damaged or dropped.
- Never allow children to operate, play with, or crawl inside the appliance.
- Never clean appliance parts with flammable fluids. The fumes can create a fire hazard or explosion.
- Do not store or use gasoline or any other flammable vapors or liquids in the vicinity of this or any other appliance. The fumes can create a fire hazard or explosion.
- Do not splice the power cord that is equipped with this appliance.
- Keep power cord away from heated surfaces.
- Do not immerse power cord, plug or the appliance itself in water.
- Do not use this product near water for example, in a wet basement, near a swimming pool or near a sink.
- Do not use corrosive chemicals or vapors in this appliance.
- Use this appliance only for its intended use, as described in this manual.
- Store beverages in sealed containers only.
- See door surface cleaning instructions in the Care and Maintenance section of this manual.
- Do not cover or block any openings on the appliance.
- Do not store perishable food items such as (but not limited to) meats and dairy products in your beverage centre.
- This appliance is intended for household use only. Do not attempt to operate or store this appliance outdoors.
- This appliance should be serviced only by qualified service personnel. Contact the nearest authorized service facility for examination, repair or adjustment.



Important Safety Information

READ AND FOLLOW ALL SAFETY INSTRUCTIONS

GROUNDING INSTRUCTIONS

This appliance is equipped with a cord having a grounding wire with a grounding plug. The plug must be plugged into an outlet that is properly installed and grounded.

This appliance must be grounded. In the event of an electrical short circuit, grounding reduces the risk of electric shock by providing an escape wire for the electric current.

WARNING - Improper use of the grounding plug can result in a risk of electric shock. Consult a qualified electrician or service agent if the grounding instructions are not completely understood, or if doubt exists as to whether the appliance is properly grounded.

If the outlet is a standard 2-prong wall outlet, it is your personal responsibility and obligation to have it replaced with a properly grounded 3-prong wall outlet.

For best operation, plug this appliance into its own electrical outlet to prevent flickering of lights, blowing of fuse or tripping of circuit breaker

DO NOT USE AN EXTENSION CORD

Use an exclusive 115V wall outlet. Do not connect your appliance to extension cords or together with another appliance in the same wall outlet. Do not splice the cord. Do not under any circumstances cut or remove the third (ground) prong from the power cord. Do not use an adapter plug with this appliance.

SAVE THESE INSTRUCTIONS!



Installation Instructions

FOR YOUR SAFETY

- While performing installations described in this section, gloves and goggles or safety glasses should be worn. Two people should be used when moving the beverage centre.
- Remove interior and exterior packaging prior to installation.
- Before connecting the appliance to a power source, let it stand upright for approximately 2 hours; this will reduce the possibility of a malfunction in the cooling system from handling during transportation.
- Place your beverage centre on a floor that is strong enough to support it when it is fully loaded. To level your beverage centre, adjust the front leveling leg at the bottom of the unit.
- Locate the beverage centre away from direct sunlight and sources of heat (stove, heater, radiator, etc.). Direct sunlight and heat sources may increase electrical consumption. Extreme cold ambient temperatures may also cause the unit to perform improperly.
- Avoid locating the unit in moist areas.
- Plug the beverage centre into an exclusive, properly installed-grounded wall outlet. Do not under any circumstances cut or remove the third (ground) prong from the power cord. Any questions concerning power and/or grounding should be directed toward a certified electrician or an authorized service centre.
- Do not cover shelves with aluminum foil or any other material which may prevent air circulation.
- In order for the cabinet to remain efficient do not over load it.
- Do not open the door unless necessary.
- Should the beverage centre be stored without use for long periods, it is suggested, after careful cleaning, to leave the door ajar. This will allow air to circulate inside the cabinet in order to avoid possible formations of condensation, mold and odors.



Installation Instructions

LOCATION

Selecting the proper location will ensure peak performance levels for your appliance. Choose a location where the unit will not be exposed to heat emitting sources (e.g. a fireplace or a barbeque). The beverage centre should not be exposed to direct sunlight. Do not use product near water, for example in a wet basement, near a swimming pool or sink.

NOTE: This unit is front breathing. Do not block the front air vent. Blockage of the vent will result in high operating temperatures and system failure.



PREPARING THE ENCLOSURE

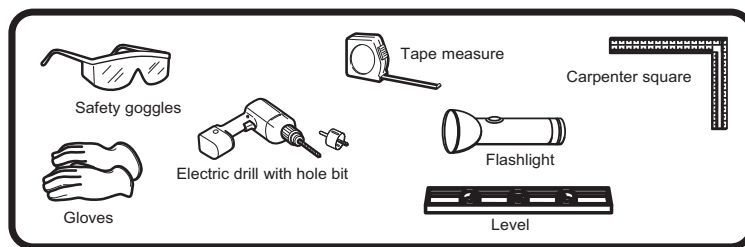
Tools you will need:

While performing installations described in this section, gloves and safety glasses or goggles should be worn.

Electrical Requirements:

The appliance must be connected to an individual, properly grounded electrical outlet, protected by a 15 or 20 ampere circuit breaker or time delay fuse.

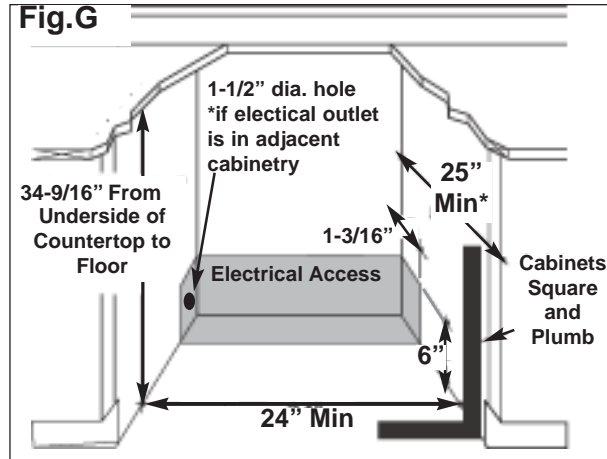
- It is recommended that you do not install the unit into a corner (i.e. directly beside a wall). This is to allow the door to have a greater than 90° opening swing. A limited door swing may lead to damaging the door gasket, however, if it is necessary to install the unit in a corner, be sure to allow 2-4 inches of clearance at each side.
- The rough cabinet opening must be on a level floor area and at least 25" (63.5 cm) deep by 24" (60.96 cm) wide (min). The opening should also have a height of at least 34 9/16" (86.8 cm).
- The electrical outlet may be positioned from within either side of the adjacent cabinetry, or the rear of the shaded area (as shown in Fig. 2).
- If the electrical outlet is located inside the adjacent cabinetry, cut a 1-1/2" (3.81 cm) diameter hole to admit the power cord. If the cabinet wall is metal, the hole edge must be covered with a bushing or grommet.





Installation Instructions

PREPARING THE ENCLOSURE (continued)

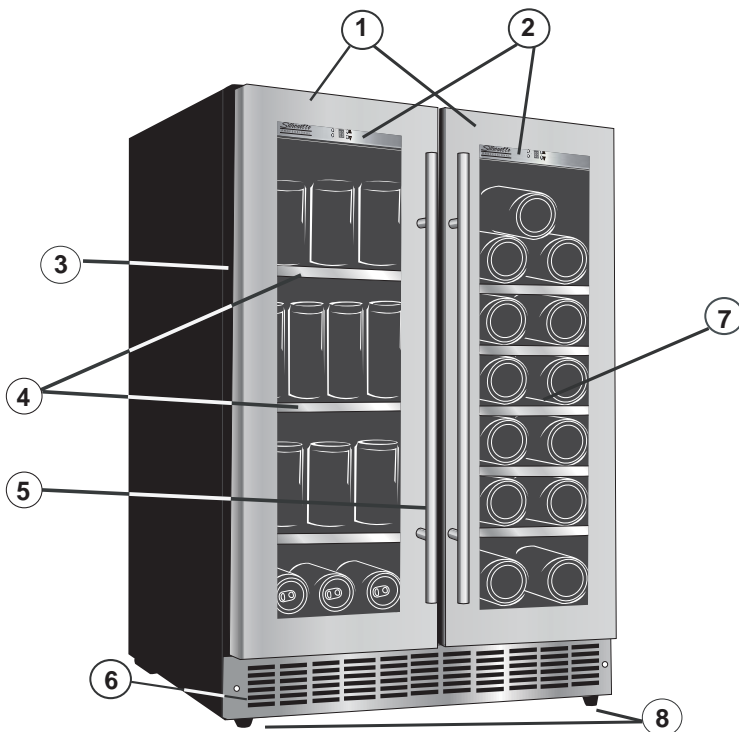


Important: The listed depth requirement for the installation is assuming that the electrical outlet is located in the adjacent cabinetry or is flush mounted in the rear wall, not surface mounted in the enclosure.



Operating Instructions

FEATURES

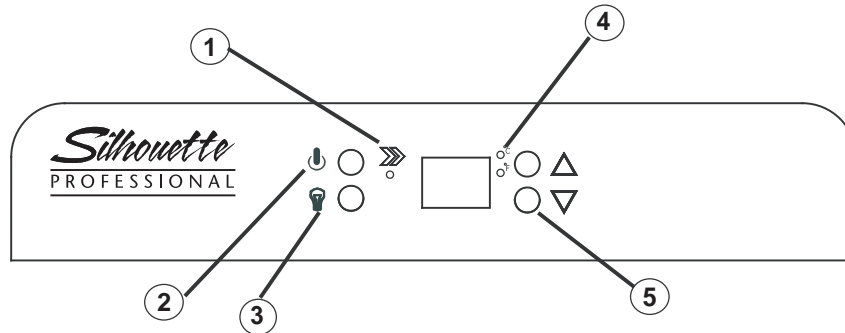


1. **Twin Door Design:** Divided compartments allow for separate storage of different types of beverages.
2. **Dual Electronic Controls:** For individually regulating the temperature for both compartments of the beverage centre.
3. **Magnetic Door Gaskets:** Tight fitting seals retain all the cooling power and humidity levels.
4. **Glass Shelves**
5. **Handles**
6. **Front Mounted Exhaust:** Allows for integrated (built-in) applications.
7. **Tempered Glass Doors:** Low-E glass used to reflect and absorb heat.
8. **Leveling Legs**
9. **Interior Light** (not shown): Cool White LED lighting illuminates the interior without the heat of an incandescent bulb.



Operating Instructions

CONTROL PANEL



1. Indicator light illuminates to signify the cooling mode is currently in operation.
2. Button: To control this appliance turn ON/OFF (press and hold this button for approximately 3 seconds).
3. Button: To control the inner light turn ON/OFF. Press this button to have the light on continuously, lighting will not be controlled by opening or closing the door.
4. °C / °F Adjacent indicator light denotes which scale of temperature is being displayed.
5. Button: Used to raise (warm) the temperature in 1° increments.
6. Button: Used to decrease (cool) the temperature in 1° increments.

Setting the Temperature Controls

When you plug in your beverage centre for the first time the temperature will automatically be set to 7°C (45°F) in the beverage compartment and 12°C (54°F) in the wine compartment. The default setting is °F.

- Each depression of the or button will allow you to adjust the temperature in 1° increments.
- To switch the display between °F and °C, depress the and simultaneously for approximately 3-5 seconds.

FUNCTION INSTRUCTION

Door Ajar Alarm Function

- If the door is not closed completely the alarm will sound after 5 minutes. Please close the door completely to avoid the loss of cold energy.

Temperature Memory Function

- In the event of a power interruption the beverage centre can remember the previous temperature settings, and when the power is restored the cabinet temperature will go back to the same setting as before.

Temperature Alarm Function

- “HI” is shown on the display panel and the alarm will sound after one hour. It is to inform you that the inner temperature is too high, please check the reason.
- “LO” is shown on the display panel and the alarm will sound and the malfunction indicator light will appear at the same time.

Note: If too many bottles/cans are put in at once or the door has not been closed tightly, the unit will display the “HI” signal in the display panel. This is normal, please wait 5 minutes after you closed the door and “HI” will disappear.

It is normal that the cabinet shows “HI” or “LO” from time to time. If it occurs frequently or lasts for a long time, you can restart the unit by unplugging it. If the problem occurs once again after restart, please contact customer service.



Operating Instructions

BEVERAGE STORAGE

IMPORTANT

- The maximum* capacity of the unit is 21 (750ml) wine bottles and 61 (355ml) cans.

*When stocked as per instructions.

In order to achieve the maximum storage capacity of 21 bottles and 61 beverage cans:

Wine Compartment (Right): It will be necessary to position the bottles alternately on the upper six shelves. This will allow for the storage of four (4) 750ml bottles on the top shelf (Fig. A) and three (3) bottles per rack on each of the four shelves (Fig. A1) and five (5) bottles on the bottom (Fig. A2) for a total storage capacity of 21 wine bottles.

Beverage Compartment (Left): It will be necessary to position the cans alternately on the upper three shelves. This will allow for the storage of seventeen (17) 355ml cans (Fig. B) per shelf in each of the top three shelves, and ten (10) cans on the bottom (Fig. B1) for a total storage capacity of 61 beverage cans.

Fig A

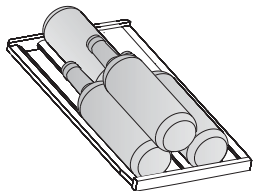


Fig A1

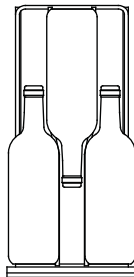


Fig A2

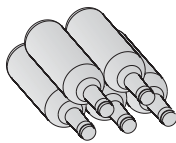


Fig B

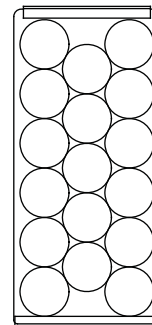


Fig B1





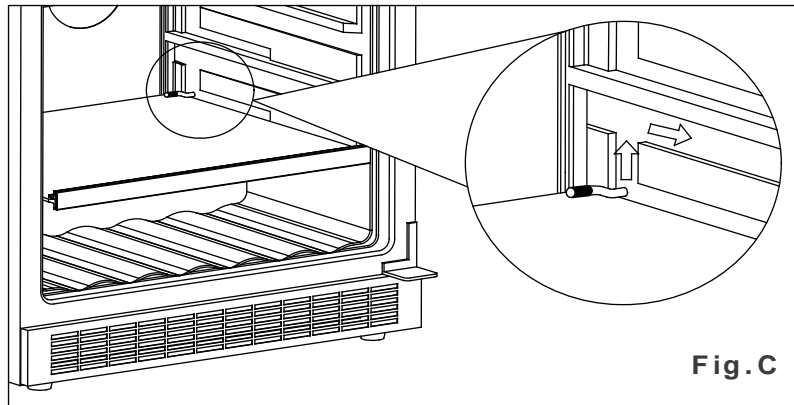
Operating Instructions

SHELVES

Important: Do not cover the gap on the shelves with aluminum foil or any other material that will prevent adequate air circulation within the cabinet.

To remove glass shelves:

1. Lift the back of the shelf up so the shelf pegs are above the lower rail.
2. Slide the shelf out of the unit with the pegs on the upper rail (Fig. C).



To remove wine shelves:

1. Fully extend the shelf you wish to remove (Fig. D).
2. Lift the front of the shelf up (Fig. E).
3. Holding the shelf track, push the shelf in, then up to release from the rear dampers (Fig. F).

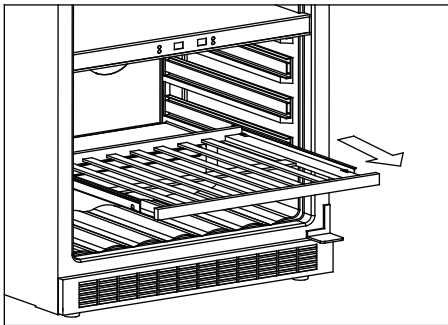


Fig. D

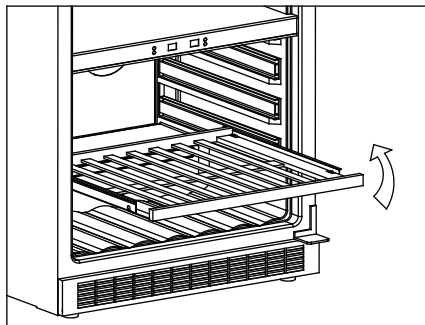


Fig. E

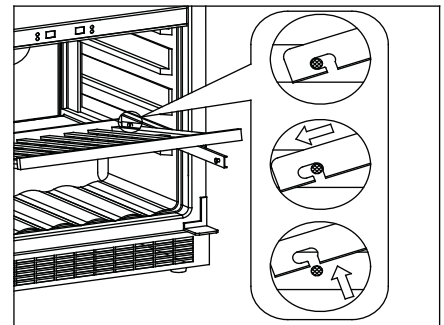


Fig. F



Care and Maintenance

CLEANING YOUR BEVERAGE CENTRE

Cleaning the Inside:

- **Walls, floor, inside window and shelves** - Some water deposits and dust can be removed with a dry paper towel, others may require a damp cloth.

Cleaning the Outside:

- **Outer Case** - It is important to keep the area clean where the door seals against the cabinet. Clean this area with a soapy cloth. Rinse with a damp cloth and let dry.
- **Control Panel and Door** - Wipe with a damp cloth and dry thoroughly. Do not use cleaning sprays, large amounts of soap and water, abrasive or sharp objects on the panel, they can damage it. Some paper towels may also scratch the control panel and glass on the door.
- **Door Surface** - Use only mild, non-abrasive detergents applied with a clean sponge or soft cloth. Rinse well with damp cloth.

NOTE: Do not use cleaners containing ammonia or alcohol on the appliance. Ammonia or alcohol can damage the appearance of the appliance.

NOTE: Never use any commercial / abrasive cleaners or sharp objects on any part of the appliance.

POWER FAILURE

- Most power failures are corrected within a few hours and should not affect the temperature of your appliance if you minimize the number of times the door is opened. If the power is going to be off for a longer period of time, you need to take the proper steps to protect your contents.

VACATION TIME

- **Short vacations:** Leave the beverage centre operating during vacations of less than three (3) weeks.
- **Long vacations:** If the appliance will not be used for several months, remove all items and turn off the appliance. Clean and dry the interior thoroughly. To prevent odor and mold growth, leave the door open slightly, blocking it open if necessary.

ENERGY SAVING TIP

- The unit should be located in the coolest area of the room, away from heat producing appliances, and out of direct sunlight.

MOVING YOUR BEVERAGE CENTRE

- Remove all items.
- Securely tape down all loose items (shelves) inside your appliance.
- Turn the adjustable leg up to the base to avoid damage.
- Tape the door shut.
- Be sure the appliance stays secure in the upright position during transportation. Also protect the outside of the appliance with a blanket or similar item.



Troubleshooting

Occasionally, a problem is minor and a service call may not be necessary- use this troubleshooting guide for a possible solution. If the unit continues to operate improperly, call an authorized service depot or **our Toll Free Number 1-844-455-6097** for assistance.

PROBLEM	POSSIBLE CAUSE	SOLUTIONS
No power	<ul style="list-style-type: none">• A fuse in your home may be blown or the circuit breaker tripped• Power surge• Plug not fully inserted into wall outlet	<ul style="list-style-type: none">• Replace fuse or reset circuit breaker• Unplug the beverage centre, wait a few seconds and then plug it back in• Make sure the 3-prong plug is fully inserted into the outlet
Cabinet temperature is too high	<ul style="list-style-type: none">• Temperature is set too high• Door is not shut properly or opened excessively• Exhaust vent is obstructed• Recently added a large quantity of warm beverages to the cabinet	<ul style="list-style-type: none">• Verify the temperature control setting, adjust if necessary• Ensure that the door is fully closed and that the gasket is sealing against the cabinet. Open the doors only as needed and for short periods of time• Verify there is nothing blocking the front mounted exhausting vent• Limit the quantity of warm beverages being introduced to the cabinet at the same time. Attempt to stagger the load introduction if possible
Alarm beeping and “HI” is displayed on the control panel	<ul style="list-style-type: none">• Recently added a large quantity of warm bottles or cans to the cabinet• The door is not closed tightly• System leak, evaporator fan failure or compressor fan failure	<ul style="list-style-type: none">• Limit the quantity of warm items being introduced to the cabinet• Be sure the door is closed tightly• Contact a service centre, to stop the beeping, unplug the unit
Alarm beeping and “LO” is displayed in the control panel	<ul style="list-style-type: none">• Sensor failure, evaporator temperature is too low	<ul style="list-style-type: none">• Contact a service centre, to stop the beeping, unplug the unit
Condensation on the cabinet and/or doors	<ul style="list-style-type: none">• High humidity conditions in the home• Door not shut properly or opened excessively	<ul style="list-style-type: none">• The condensation will subside once humidity conditions return to normal• Ensure that the door is fully closed and that the gasket is sealing against the cabinet. Open the door only as needed and for short periods of time



LIMITED IN-HOME APPLIANCE WARRANTY

This quality product is warranted to be free from manufacturer's defects in material and workmanship, provided that the unit is used under the normal operating conditions intended by the manufacturer.

This warranty is available only to the person to whom the unit was originally sold by Danby Products Limited (Canada) or Danby Products Inc. (U.S.A.) (hereafter "Danby") or by an authorized distributor of Danby, and is non-transferable.

TERMS OF WARRANTY

Plastic parts, are warranted for thirty (30) days only from purchase date, with no extensions provided.

First 24 months During the first twenty four (24) months, any functional parts of this product found to be defective, will be repaired or replaced, at warrantor's option, at no charge to the ORIGINAL purchaser.

To obtain service Danby reserves the right to limit the boundaries of "In Home Service" to the proximity of an Authorized Service Depot. Any appliance requiring service outside the limited boundaries of "In Home Service", it will be the consumer's responsibility to transport the appliance (at their own expense) to the original retailer (point of purchase) or a service depot for repair. See "Boundaries of In Home Service" below. Contact your dealer from whom your unit was purchased, or contact your nearest authorized Danby service depot, where service must be performed by a qualified service technician. If service is performed on the units by anyone other than an authorized service depot, or the unit is used for commercial application, all obligations of Danby under this warranty shall be void.

Boundaries of in-home service If the appliance is installed in a location that is 100 kilometers (62 miles) or more from the nearest service center your unit must be delivered to the nearest authorized Danby Service Depot, as service must only be performed by a technician qualified and certified for warranty service by Danby. Transportation charges to and from the service location are not protected by this warranty and are the responsibility of the purchaser.

Nothing within this warranty shall imply that Danby will be responsible or liable for any spoilage or damage to food or other contents of this appliance, whether due to any defect of the appliance, or its use, whether proper or improper.

EXCLUSIONS

Save as herein provided, by Danby, there are no other warranties, conditions, representations or guarantees, express or implied, made or intended by Danby or its authorized distributors and all other warranties, conditions, representations or guarantees, including any warranties, conditions, representations or guarantees under any Sale of Goods Act or like legislation or statute is hereby expressly excluded. Save as herein provided, Danby shall not be responsible for any damages to persons or property, including the unit itself, howsoever caused or any consequential damages arising from the malfunction of the unit and by the purchase of the unit, the purchaser does hereby agree to indemnify and hold harmless Danby from any claim for damages to persons or property caused by the unit.

GENERAL PROVISIONS

No warranty or insurance herein contained or set out shall apply when damage or repair is caused by any of the following:

- 1) Power failure.
- 2) Damage in transit or when moving the appliance.
- 3) Improper power supply such as low voltage, defective house wiring or inadequate fuses.
- 4) Accident, alteration, abuse or misuse of the appliance such as inadequate air circulation in the room or abnormal operating conditions (extremely high or low room temperature).
- 5) Use for commercial or industrial purposes (ie. If the appliance is not installed in a domestic residence).
- 6) Fire, water damage, theft, war, riot, hostility, acts of God such as hurricanes, floods etc.
- 7) Service calls resulting in customer education.
- 8) Improper Installation (ie. Building-in of a free standing appliance or using an appliance outdoors that is not approved for outdoor application). Proof of purchase date will be required for warranty claims; so, please retain bills of sale. In the event warranty service is required, present this document to our AUTHORIZED SERVICE DEPOT.

Warranty Service
In-home

Danby Products Limited
PO Box 1778, Guelph, Ontario, Canada N1H 6Z9
Telephone: (519) 837-0920 FAX: (519) 837-0449

1-844-455-6097
05/14

Danby Products Inc.
PO Box 669, Findlay, Ohio, U.S.A. 45840
Telephone: (419) 425-8627 FAX: (419) 425-8629

Bienvenue

Nous sommes fiers de la qualité de nos produits et nous croyons fermement au service par une assistance fiable. Vous le découvrirez à la lecture de ce guide facile d'utilisation et vous en aurez la confirmation par notre service d'assistance à la clientèle. Mais ce qui est encore mieux, vous pourrez bénéficier de ces avantages à chaque utilisation de votre appareil. Ceci est important parce que votre nouvel appareil fera partie de votre famille pour longtemps.

Veillez noter les informations ci-dessous; ces renseignements seront nécessaires si votre appareil a besoin d'entretien ou pour les demandes de renseignements généraux. Pour bénéficier d'une opération de maintenance ou de dépannage, le reçu original sera exigé.

Numéro de modèle : _____

Numéro de série : _____

Date d'achat : _____

BESOIN D'ASSISTANCE ?

Veillez trouver quelques conseils avant de faire appel à nos services, cela nous aidera à mieux vous servir :

Lisez ce guide :

Il comprend des instructions pour l'utilisation et l'entretien adapté de votre appareil.

Si votre nouvel appareil est endommagé :

Contactez immédiatement le revendeur (ou le fabricant).

Gagnez du temps et de l'argent :

Avant de faire appel à nos services, consultez à nouveau la section « Dépannage ». Cette section vous aidera à résoudre des problèmes courants.

Si une réparation est nécessaire, ne vous inquiétez pas, la solution est au bout du fil.



1-844-455-6097



Consignes de sécurité importantes

PRENDRE CONNAISSANCE DE TOUTES LES INFORMATIONS RELATIVES À LA SÉCURITÉ AVANT D'UTILISER LE PRODUIT



AVERTISSEMENT IMPORTANT!

Un centre de breuvages vide peut représenter un attrait dangereux aux enfants. Retirer le joint d'étanchéité, les loquets, les couvercles ou portes des appareils ménagers inutilisés, ou prenez d'autres mesures qui assureront que l'appareil ne posera aucun danger.

DANGER : Risque de piéger un enfant. Avant de mettre votre vieux centre de breuvages au rebut :

- Enlever les portes.
- Laisser les tablettes en place afin que les enfants ne puissent pas facilement y entrer.

N'ATTENDEZ PAS! FAITES-LE IMMÉDIATEMENT!

Cet appareil doit être mis à la terre. En cas de court-circuit, la mise à la terre réduit les risques de décharge électrique en fournissant un échappatoire au courant électrique. L'appareil est muni d'un cordon électrique comprenant un fil de mise à la terre et une fiche de terre.

CONDITIONS ÉLECTRIQUES

ATTENTION

ÉNERGIÉ ÉLECTRIQUE : Le voltage et la fréquence requis pour ce l'appareil sont indiqués sur la plaque d'identification.

Veillez vous assurer que les pièces de rechange sont remplacées par des pièces similaires, et que l'entretien soit effectué par un technicien agréé par l'usine, afin réduire le risque d'incendie à cause de mauvaises pièces ou d'entretien mal fait.

Pour éviter les difficultés d'installation / du fonctionnement, veuillez lire ces instructions soigneusement.

- Cet appareil doit être mis à la terre. Branchez le seulement dans une prise correctement mise à la terre. Référez-vous au chapitre "Instructions de mise à la terre" ci-dessus.
- Ne faites pas fonctionner cet appareil s'il a un cordon ou fiche électrique endommagé, s'il ne fonctionne pas correctement, ou si l'appareil a été endommagé ou échappé.
- N'épissez pas le cordon électrique.
- Ne permettez jamais à un enfant de faire fonctionner l'appareil, de jouer avec ou de ramper à l'intérieur.
- Ne nettoyez jamais de pièces de l'appareil avec un liquide inflammable. Les vapeurs peuvent constituer un risque d'incendie ou provoquer une explosion.
- N'entreposez et n'utilisez pas d'essence ou d'autres liquides ou vapeurs inflammables à proximité de cet appareil ou de tout autre appareil. Les vapeurs peuvent constituer un risque d'incendie ou provoquer une explosion. Gardez le cordon électrique éloigné des sources de chaleur.
- N'immersez pas le cordon ou sa fiche dans aucun liquide.
- N'utilisez pas cet appareil près de bassins d'eau, par exemple dans un sous-sol détrempe, près d'une piscine ou d'un évier.
- N'utilisez pas de produits chimiques ou vapeurs corrosives dans/près de cet appareil.
- N'utilisez cet appareil que pour les fins aux quelles il est conçu comme indiqué dans ce guide.
- Entreposez le vin dans des bouteilles scellées seulement.
- Référez-vous aux instructions de nettoyage du fini de la porte se trouvant au chapitre de Soins et nettoyage de ce guide.
- Ne recouvrez pas ou n'obstruez aucune ouverture de l'appareil.
- Ne placez pas les articles périssables de nourriture dans votre appareil. (Par exemple, les viandes et les produits laitiers).
- Cet appareil est conçu pour un usage domestique à l'intérieur seulement. N'entreposez ni n'utilisez pas cet appareil à l'extérieur.
- Cet appareil ne devrait être réparé que par du personnel qualifié. Pour tout examen, réparation ou réglage, contactez votre centre de service le plus rapproché.



Consignes de sécurité importantes

PRENDRE CONNAISSANCE DE TOUTES LES INFORMATIONS RELATIVES À LA SÉCURITÉ AVANT D'UTILISER LE PRODUIT

MISE À LA TERRE

Cet appareil doit être mis à la terre. Dans l'éventualité d'un court-circuit, la mise à la terre procure un chemin direct contournement du courant pour prévenir l'électrocution des manipulateurs de l'appareil.

L'appareil est muni d'un cordon électrique comprenant un fil de mise à la terre et une fiche de terre. Branchez la fiche dans une prise de courant correctement installée et mise à la terre.

AVERTISSEMENT - Une fiche de mise à la terre mal branchée peut entraîner un risque d'incendie, de choc électrique ou de blessures aux personnes qui utilisent l'appareil. Si vous n'êtes pas certain que l'appareil est correctement mis à la terre, consultez un préposé du service qualifié.

Si la prise murale est une prise à 2 branches, c'est votre obligation, et la responsabilité vous en incombe, de la faire remplacer par une prise à trois branches adéquatement mise à la terre.

Pour un meilleur rendement et pour éviter que les ampoules d'éclairage de la résidence soient affectées d'un affaiblissement de tension, ou que le fusible ou disjoncteur du circuit ne grille ou ne se déclenche, dédiez un circuit individuel d'alimentation à la machine à glaçons.

N'UTILISEZ JAMAIS DE FIL DE RALLONGE

Branchez l'appareil à son propre circuit de 115V. N'utilisez pas de rallonge électrique pour brancher votre appareil. Ne branchez pas l'appareil à une prise femelle multiple qui sera également utilisée pour d'autres appareils électriques. N'épissez pas le cordon électrique. N'utilisez pas d'adaptateur de fiche avec cet appareil. N'utilisez pas de cordon de rallonge avec cet appareil.

SAUVEGARDE CES INSTRUCTIONS!



Consignes d'installation

POUR VOTRE SÉCURITÉ

- En faire les installations décrites dans cette section, des gants, les lunettes de sécurité devraient être portés. Il faut deux personnes ou plus pour déplacer le centre de breuvages.
- Retirez les emballages intérieur et extérieur avant l'installation.
- Avant de brancher l'appareil à une prise électrique, laissez-le debout pendant approximativement 2 heures; cela permet de réduire le risque d'un mauvais fonctionnement éventuel du circuit de refroidissement en raison de sa manutention pendant le transport.
- Placez votre l'appareil sur un sol suffisamment solide pour le supporter lorsqu'il est plein. Pour mettre votre l'appareil de niveau, ajustez la patte de mise à niveau avant située au bas du l'appareil de qualité supérieure.
- Éloignez le centre de breuvages des rayons directs du soleil et de toute source de chaleur (four, appareil de chauffage, radiateur, etc.). Les rayons directs du soleil et les sources de chaleur peuvent augmenter la consommation électrique. Les températures extrêmement basses peuvent provoquer un mauvais fonctionnement de l'appareil.
- Évitez d'installer l'appareil dans une zone humide.
- Branchez le centre de breuvages à une prise murale correctement mise à la terre. Sous aucun prétexte, vous ne devez couper ou enlever la troisième branche (mise à la terre) de la fiche du cordon électrique. Pour toute question relative à l'alimentation ou à la mise à la terre, faites appel à un électricien qualifié ou à un centre de service autorisé.
- Ne recouvrez pas les tablettes d'une feuille d'aluminium ou de tout autre matériau pour tablette qui pourrait empêcher la circulation de l'air.
- N'ouvrez la porte qu'en cas de besoin.
- Lorsque la tout centre de breuvages est entreposée pour une longue période sans être utilisée, on recommande, après un nettoyage minutieux, de laisser la porte ouverte afin de faire circuler l'air à l'intérieur, de façon à éviter l'apparition de condensation, de moisissure ou d'odeurs.
- Ne pas couvrir les tablettes avec un papier d'aluminium ou tout autre matériel qui pourrait prévenir la circulation de l'air.
- Pour fonction maximale de l'appareil il est préférable de ne pas surcharger les tablettes.



Consignes d'installation

ENDROIT

Le choix du bon emplacement permettra à votre appareil d'avoir un rendement maximal. Choisissez un endroit où l'appareil ne sera pas exposé à des sources de chaleur (p.ex., une cheminée ou un barbecue). N'utilisez pas ce produit près de l'eau, par exemple dans un sous-sol humide, près d'une piscine ou d'un évier.

REMARQUE : Cette unité est la respiration avant. Ne bloquez pas la bouche d'aération sur la face avant de l'appareil. Le blocage de la bouche d'aération se traduira par des températures de fonctionnement élevées et de défaillance du système.



PRÉPARATION DE LA OUVERTURE

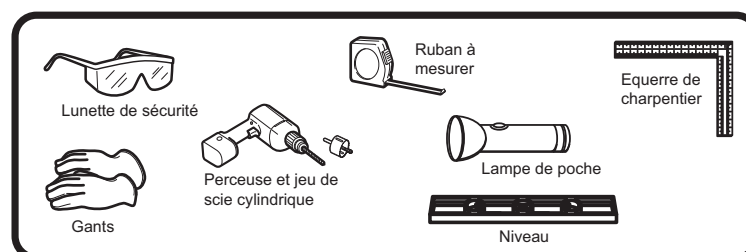
Outils nécessaires

En faire les installations décrites dans cette section, des gants, les lunettes de sécurité devraient être portés.

Conditions électriques :

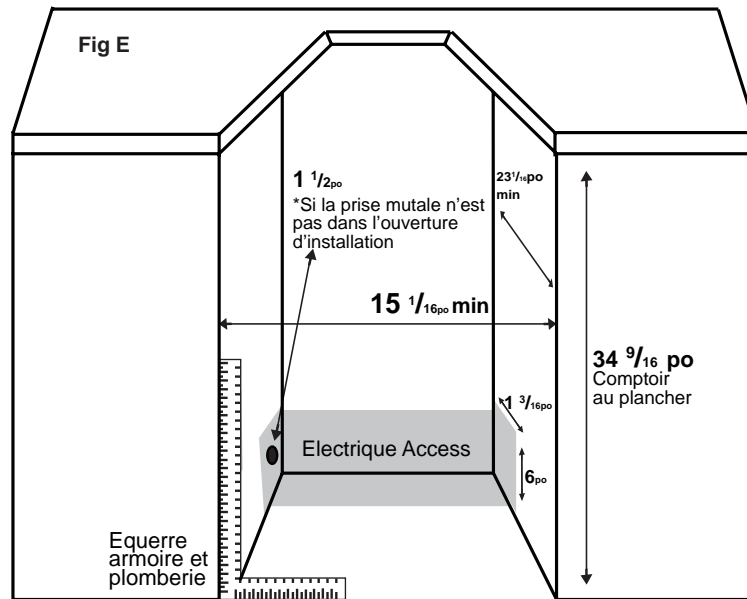
L'appareil doit être raccordé à une prise individuelle correctement installée et mise à la terre, protégée par un disjoncteur ou un fusible temporisé de 15 ou 20 ampères.

- Nous vous recommandons de ne pas installer le centre de brevages dans un coin (c.-à-d. directement contre un mur). Cela afin que l'angle d'ouverture de porte limitée empêchera les étagères de sortir comme prévu, et peut endommager le ou les joints de la porte. Toutefois, s'il est nécessaire d'installer l'appareil dans un coin, assurez-vous de laisser 2-4 pouces d'espace de chaque côté.
- L'ouverture brute de l'enceinte doit être sur une surface de plancher plane et avoir au 63,5 cm (25 po) de profondeur par 60,96 cm (24 po) min. de largeur. L'ouverture doit également avoir une hauteur d'au moins 86,8 cm (34 9/16 po).
- La prise électrique peut être placée de l'intérieur sur l'un des côtés des armoires adjacentes ou à l'arrière dans la zone en gris (tel qu'illustré sur la figure 2).
- Si la prise électrique se trouve dans l'armoire adjacente, percez un trou de 3,8 cm (1 1/2 po) de diamètre pour faire passer le cordon d'alimentation. Si la paroi de l'enceinte est métallique, le contour du trou doit être recouvert à l'aide d'un coussinet ou d'un passe câble.





Consignes d'installation

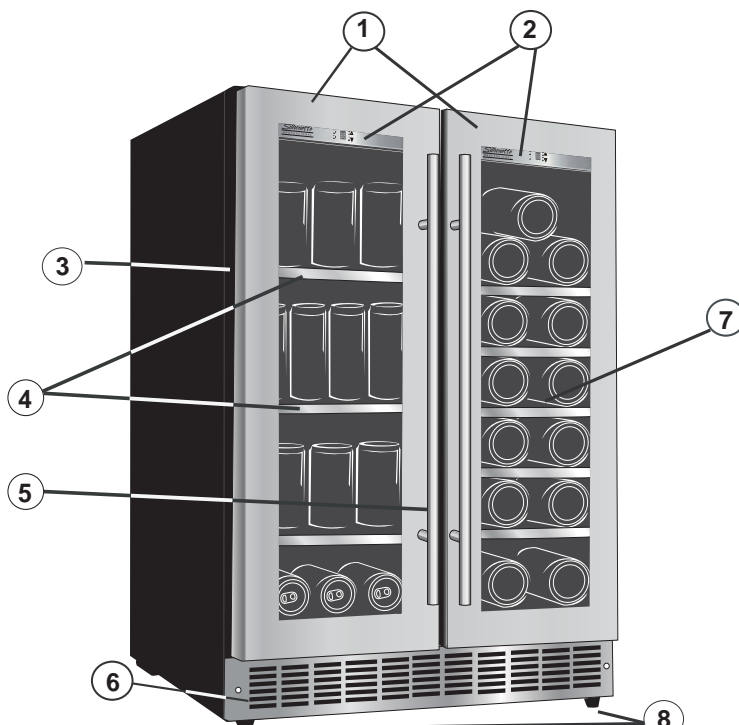


Important : Le requirement de profondeur pour l'installation suppose que la prise murale est localisée dans une autre armoire ou est monté dans le mur, pas monté sur la surface dedans l'ouverture.



Consignes d'utilisation

CARACTÉRISTIQUES

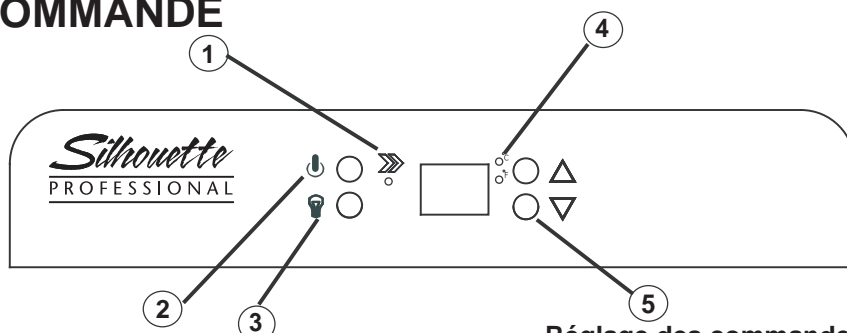


1. **Deux portes** : Les compartiments divisés permettre le entreposage séparé des boisson différents.
2. **Controls électroniques (duelles)** : Régulation indépendante de la température des deux compartiments du refroidisseur de boisson.
3. **Joint étanche magnétique** : Le joint étanche permet de conserver le niveau de température et d'humidité à l'intérieur du cabinet.
4. **Étagères en verre**
5. **Poignée**
6. **Échappement sur le devant** : Pour des applications intégrées cabinet.
7. **Portes en verre trempé** : Verre à faible émissivité, utilisé à réfléchir et absorber la chaleur.
8. **Pieds de nivellement**
9. **Lumière intérieures** (non illustré) : S'allume lorsqu'on ouvre la porte du cabinet.



Consignes d'utilisation

PANNEAU DE COMMANDE



1. Le voyant s'allume pour indiquer que le cycle de refroidissement est présentement en marche.
2. Pour contrôler cet appareil allumer / éteindre (appuyez et maintenez ces bouton pour environ 3 secondes).
3. Manuellement illuminer ou éteignez les lumières intérieures.
4. °C / °F Le voyant situés à côté, dénote quelle balance de la température est montrée.
5. HAUT bouton de commande augmenter la température (plus chaud) par intervalle de un degré.
6. BAS bouton de commande diminuer la température (plus froid) par intervalle de un degré.

Réglage des commandes de température

Lorsque vous branchez votre tout centre de breuvages pour la première fois, la température est réglée automatiquement à 12°C (54°F) dans le compartiment droits et 7°C (45°F) dans le compartiment gauche et est affichée en degrés Fahrenheit (°F).

- Chaque pression sur les boutons et vous permet de régler la température par paliers de 1°.
- Pour permuter l'affichage entre les degrés Fahrenheit (°F) et les degrés Celsius (°C), maintenez les boutons et enfoncés simultanément pendant environ 3 à 5 secondes.

INSTRUCTION DE FONCTION

Fonction d'alarme de rappel de porte ouverte

- Si vous oubliez de fermer la porte ou celle-ci n'est pas bien fermée, l'alarme retentit au bout de 5 minutes. Veuillez fermer complètement la porte et éviter que le froid s'échappe.

Fonction de mémorisation de la température

- En cas de panne de courant, le centre de breuvages peut sauvegarder les réglages précédents de la température, et lors du rétablissement du courant, la température du cabinet retournera à la température réglée avant la panne de courant.

Fonction d'alarme de température

- « HI » apparaîtra sur le panneau d'affichage et l'alarme se déclenchera une heure plus tard.
- « LO » apparaîtra sur le panneau d'affichage, l'alarme se déclenchera et l'afficheur de défaillance apparaîtra en même temps.

Si trop de bouteilles de vin sont mises dans le refroidisseur en même temps ou si la porte n'est pas bien fermée, il est possible que « HI » apparaisse sur l'afficheur. C'est un phénomène normale : attendez quelques minutes après avoir fermé la porte et « HI » disparaîtra.

Il est normale que le cabinet indique « HI » ou « LO » de temps à autre. Si cela se produit fréquemment ou dure longtemps, vous pouvez éteindre l'appareil, puis le rallumer, pour corriger la situation. Si le problème se reproduit après le redémarrage de l'appareil, veuillez communiquer avec le service après-vente pour obtenir de l'aide.



Consignes d'utilisation

ENTREPOSAGE DES BREUVAGES

ATTENTION

La capacité maximale* de l'appareil est de 21 bouteilles de vin (750ml) et de 61 canettes (355ml)

*Lorsque entreposées selon les instructions.

Afin d'atteindre une capacité de stockage maximale de 21 bouteilles et de 61 canettes :

Compartment à vin (à droite) : Il sera nécessaire de positionner les bouteilles en alternance sur les six clayettes du haut. Cela permettra de libérer de l'espace pour l'entreposage de quatre (4) bouteilles de 750ml sur la clayette du haut (Fig. A) et de trois (3) bouteilles par panier sur chacune des quatre clayettes (Fig. A1), et de cinq (5) bouteilles sur la partie inférieure (Fig. A2), pour ainsi parvenir à une capacité d'entreposage totale de 21 bouteilles de vin.

Compartment à breuvages (à gauche) : Il sera nécessaire de positionner les canettes en alternance sur les trois clayettes du haut. Cela permettra d'entreposer dix-sept (17) canettes de 355ml (Fig. B) par clayette sur chacune des trois clayettes supérieures et dix (10) canettes sur la partie inférieure (Fig. B1), pour ainsi parvenir à une capacité d'entreposage totale de 61 canettes.

Fig A

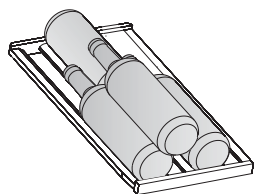


Fig A1

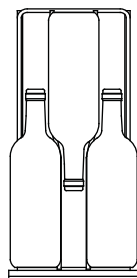


Fig A2

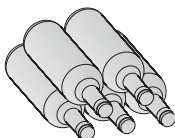


Fig B

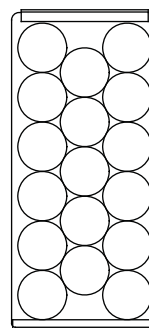


Fig B1





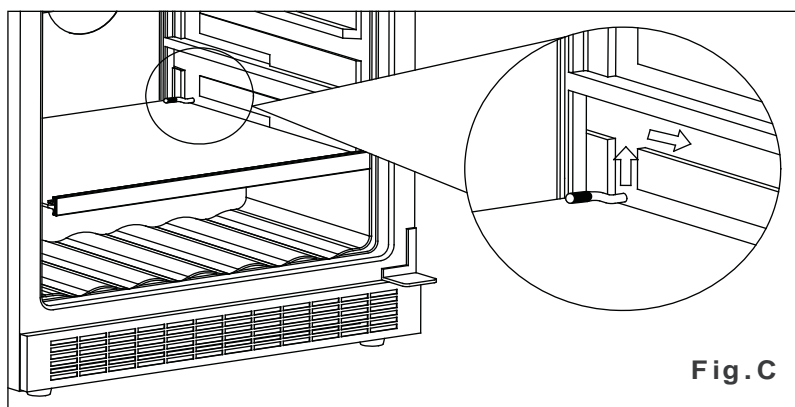
Consignes d'utilisation

INSTRUCTIONS POUR TABLETTES

Important : Ne recouvrez pas l'espace sur les tablettes d'une feuille d'aluminium ou de quelque autre matériau, cela pour ne pas nuire à la circulation adéquate de l'air dans l'enceinte.

Pour retirer les étagères de verre :

1. Soulever vers le haut la partie arrière de l'étagère, de manière à ce que les crochets de l'étagère soient au-dessus du rail inférieur.
2. Glisser l'étagère hors de l'appareil les crochets étant sur le rail supérieur.



Pour retirer les clayettes à vin :

1. Étirer complètement la clayette que vous désirez retirer (Fig. D).
2. Soulever vers le haut la partie avant de la clayette (Fig. E).
3. Tout en maintenant le rebord de la clayette, pousser la clayette en place et puis vers le haut de manière à la libérer des clapets arrière (Fig. F).

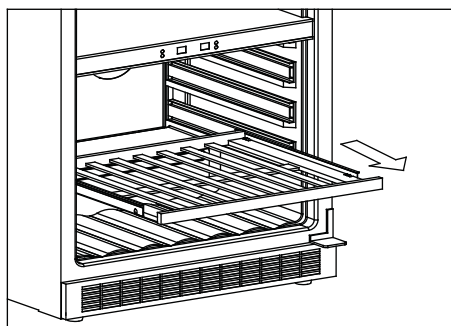


Fig. D

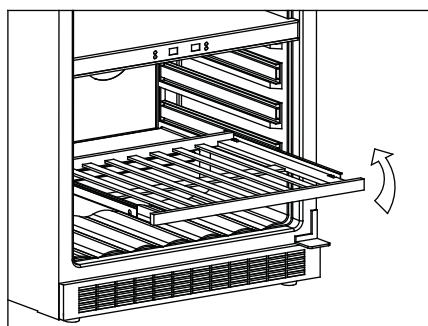


Fig. E

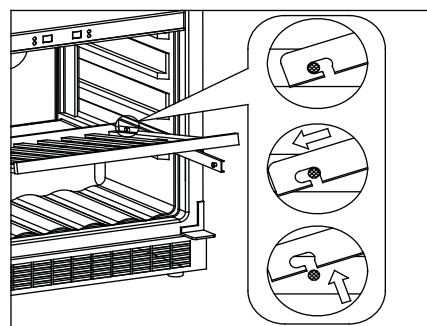


Fig. F



Soins et entretien

NETTOYAGE DE VOTRE CENTRE DE BREUVAGES

Comment nettoyer l'intérieur :

- **Parois, plancher, intérieur de la visière et tablettes** - Certaines éclaboussures d'eau et poussières peuvent être essuyées avec des essuie-tout. D'autres taches peuvent nécessiter un linge humide.

Comment nettoyer l'extérieur :

- **Extérieur de l'armoire** - Il est important de garder la région de scellement de la porte sur l'armoire propre. Nettoyez avec un tissu savonneux, rincez le région et puis séchez.
- **Panneau de commande et porte** - Essuyez avec un chiffon humide. Asséchez bien avec un chiffon sec. N'utilisez pas de nettoyants en aérosol, de grandes quantités d'eau et de savon, d'abrasifs ou d'objets acérés sur le panneau, ceci pourrait l'endommager. Certains essui-tout peuvent aussi égratigner le panneau de commande et verre de la porte.
- **Surface du porte** - N'utilisez que des détergents doux, non abrasifs, appliqués avec une éponge propre ou un chiffon doux. Rincez abondamment.

REMARQUE : N'utilisez pas de produits nettoyants comprenant de l'ammoniaque ou de l'alcool sur l'appareil. L'ammoniaque ou l'alcool peuvent altérer le fini de l'appareil.

REMARQUE : N'utilisez jamais de nettoyant industriels sur aucune partie de votre appareil.

PANNE DE COURANT

- La plupart des pannes de courant ne durent que quelques heures et ne devraient pas modifier la température de votre l'appareil si vous réduisez au maximum le nombre de fois où la porte est ouverte. Si le courant reste coupé pendant une longue période, il faut prendre des mesures de protection du contenu de l'appareil.

PÉRIODE DE VACANCES

- **Courtes vacances** : Laissez le unité fonctionner pendant les vacances durant moins de trois (3) semaines.
- **Longues vacances** : Si l'unité ne doit pas être utilisé pendant plusieurs mois, retirez tout ce qu'il contient et mettez-le hors tension. Nettoyez et asséchez à fond l'intérieur. Pour éviter les odeurs et le développement de moisissures, laissez la porte entrouverte, la coincer au besoin.

CONSEIL RELATIF AUX ÉCONOMIES D'ÉNERGIE

- Le centre de breuvages devrait être installé dans l'endroit le plus frais de la pièce, loin des sources de chauffage et des rayons directs du soleil.

DÉPLACEMENT DE VOTRE CENTRE DE BREUVAGES

- Retirez tout ce qu'il contient.
- Immobilisez avec du ruban-cache tout ce qui est mobile (tablettes) dans l'appareil.
- Tournez la patte réglable pour la relever dans la base et éviter tout dommage.
- Maintenez la porte fermée avec du ruban-cache.
- Assurez-vous que le centre de breuvages reste bien en position verticale pendant son transport. Protégez aussi l'extérieur du l'appareil avec une couverture ou l'équivalent.



Dépannage

De temps en temps, un problème est mineur et un appel de service peut ne pas être nécessaire. Utilisez ce guide de dépannage pour trouver une solution possible. Si l'unité continue de fonctionner incorrectement, appelez un dépôt de service autorisé ou le **numéro sans frais** pour obtenir de l'assistance. **Tel : 1-844-455-6097.**

PROBLÈME	CAUSE POSSIBLE	SOLUTION
L'appareil n'est pas alimenté	<ul style="list-style-type: none">• Un fusible de votre panneau de distribution peut être grillé ou le disjoncteur déclenché• Surtension• La fiche n'est pas complètement insérée dans prise murale	<ul style="list-style-type: none">• Remplacez le fusible ou réarmez le disjoncteur• Débranchez la centre de breuvages et attendez quelques secondes, et puis rebranchez• Assurez-vous que la fiches à 3 branch es de centre de breuvages est complètement insérée dans la prise
La température dans le cabinet est trop haute	<ul style="list-style-type: none">• Réglage du température• Le porte n'est pas fermées correctement ou ouverte trop souvent• L'échappement est obstrué• Stocké une grande quantité de bouteilles ou canettes dans le cabinet	<ul style="list-style-type: none">• Vérifiez que la commande est réglée à la bonne arrangement• Assurez-vous que la porte est fermées et que le joint étanche est contre le coffret. Ouvrez la porte seulement quand nécessaire• Vérifiez qu'il n'y a rien qui bloque l'échappement sur le devant• Limitez la quantité de bouteilles ou canettes qui son stockées dans le cabinet en même temps
L'alarme émet un bip et on peut lire « HI » sur le tableau d'affichage	<ul style="list-style-type: none">• Une grande quantité de bouteilles à la température de la pièce a été récemment introduite dans le caisson de l'appareil• La porte n'est pas fermée hermétiquement• Fuite dans le système, panne du ventilateur de l'évaporateur, panne du ventilateur du compresseur	<ul style="list-style-type: none">• Réduisez l'introduction d'éléments à la température de la pièce dans le caisson• Assurez-vous que la porte soit hermétiquement fermée• Communiquez avec le centre de services. Pour interrompre le signal sonore de l'alarme, débranchez l'appareil
L'alarme émet un bip et on peut lire « LO » sur le panneau d'affichage	<ul style="list-style-type: none">• Panne de capteur, température de l'évaporateur trop basse	<ul style="list-style-type: none">• Communiquez avec le centre de services. Pour interrompre le signal sonore de l'alarme, débranchez l'appareil
L'eau de condensation sur le coffret et/ou les portes	<ul style="list-style-type: none">• Niveau de humidité élevé dans la maison• La porte n'est pas fermées correctement ou son ouverte trop souvent	<ul style="list-style-type: none">• La formation de l'eau de condensation d'arrêtera quand le niveau d'humidité retours à normale• Assurez-vous que la porte est fermée et que le joint étanche est contre le coffret. Ouvrez la porte seulement quand nécessaire.

GARANTIE LIMITÉE SUR APPAREIL ÉLECTROMÉNAGER À DOMICILE

Cet appareil de qualité est garanti exempt de tout vice de matière première et de fabrication, s'il est utilisé dans les conditions normales recommandées par le fabricant.

Cette garantie n'est offerte qu'à l'acheteur initial de l'appareil vendu par Danby Products Limited (Canada) ou Danby Products Inc. (E.- U.A.) (ci-après « Danby ») ou par l'un des ses distributeurs agréés et elle ne peut être transférée.

CONDITIONS

Les pièces en plastique sont garanties pendant trente (30) jours seulement à partir de la date de l'achat, sans aucune prolongation prévue.

Premiers 24 mois Pendant les premiers vingt-quatre (24) mois, toutes les pièces fonctionnelles de ce produit qui s'avèrent défectueuses seront réparées ou remplacées, selon le choix du garant, sans frais à l'acheteur INITIAL.

Pour bénéficier du service Le client sera responsable pour le transport et tous les frais d'expédition de tout appareil exigeant le service au dépôt de service autorisé le plus proche. S'adresser au détaillant qui a vendu l'appareil, ou à la station technique agréée de service la plus proche, où les réparations doivent être effectuées par un technicien qualifié. Si les réparations sont effectuées par quiconque autre que la station de service agréée où à des fins commerciales, toutes les obligations de Danby en vertu de cette garantie seront annulées.

Limites de l'entretien à domicile Si l'appareil est installé à plus de 100 kilomètres (62 milles) du centre de service le plus proche, il doit être livré à l'atelier de réparation autorisé par Danby le plus proche, car l'entretien doit uniquement être réalisé par un technicien qualifié et certifié pour effectuer un entretien couvert par la garantie de Danby. Les frais de transport entre votre domicile et le lieu de l'entretien ne sont pas couverts par la présente garantie et doivent être acquittés par l'acheteur.

Aucune partie de la garantie ne prévoit implicitement que le fabricant sera tenu responsable des dommages subis par les aliments ou d'autres types de contenu, qu'ils soient causés par la défectuosité de l'appareil ou par son usage adéquat ou inadéquat.

EXCLUSIONS

En vertu de la présente, il n'existe aucune autre garantie, condition ou représentation, qu'elle soit exprimée ou tacite, de façon manifeste ou intentionnelle, par Danby ou ses distributeurs agréés. De même, sont exclues toutes les autres garanties, conditions ou représentations, y compris les garanties, conditions ou représentations en vertu de toute loi régissant la vente de produits ou de toute autre législation ou règlement semblables. En vertu de la présente, Danby ne peut être tenue responsable en cas de blessures corporelles ou des dégâts matériels, y compris à l'appareil, quelle qu'en soit les causes. Danby ne peut pas être tenue responsable des dommages indirects dus au fonctionnement défectueux de l'appareil. En achetant l'appareil, l'acheteur accepte de mettre à couvert et de dégager Danby de toute responsabilité en cas de réclamation pour toute blessure corporelle ou tout dégât matériel causé par cet appareil.

CONDITIONS GÉNÉRALES

La garantie ou assurance ci-dessus ne s'applique pas si les dégâts ou réparations sont dus aux cas suivants :

- 1) Panne de courant.
- 2) Dommages subis pendant le transport ou le déplacement de l'appareil.
- 3) Alimentation électrique incorrecte (tension faible, câblage défectueux, fusibles incorrects).
- 4) Accident, modification, emploi abusif ou incorrect de l'appareil tel qu'une circulation d'air inadéquate dans la pièce ou des conditions de fonctionnement anormales (température extrêmement élevée ou basse).
- 5) Utilisation dans un but commercial ou industriel (à savoir, si l'appareil n'est pas installé dans un domicile résidentiel).
- 6) Incendie, dommages causés par l'eau, vol, guerre, émeute, hostilités, cas de force majeure (ouragan, inondation, etc.).
- 7) Visites d'un technicien pour expliquer le fonctionnement de l'appareil au propriétaire.
- 8) Installation inappropriée (par exemple, encastrement d'un appareil autoportant, ou utilisation extérieure d'un appareil non conçu à cet effet). Une preuve d'achat doit être présentée pour toute demande de réparation sous garantie. Prière de garder le reçu. Pour faire honorer la garantie, présenter ce document à la station technique agréée ou s'adresser à :

Service sous garantie
Service au domicile



Model • Modèle
DBC047D1BSSPR

For service, contact your nearest service depot or call:

1-844-455-6097

to recommend a depot in your area.

Pour obtenir de l'assistance, communiquez avec votre centre de service le plus rapproché ou composez le :

1-844-455-6097

pour localiser le dépositaire de votre région

BEVERAGE CENTRE

The model number can be found on the serial plate located on the back panel of the unit.

All repair parts available for purchase or special order when you visit your nearest service depot. To request service and/or the location of the service depot nearest you, call **toll free**.

When requesting service or ordering parts, always provide the following information:

- **Product Type**
- **Model Number**
- **Part Description**
- **Part Number**

CENTRE DE BREUVAGES

Le numéro de modèle se trouve sur la plaque d'information sur la paroi arrière de l'appareil.

Toutes les pièces de recharge ou commandes spéciales sont disponibles de votre centre régional de service autorisé. Pour exiger le service et/ou le nom de votre centre de service régional, signalez le **numéro sans frais**.

Ayez les renseignements suivants à la portée de la main lors de la commande de pièce ou service :

- **Genre de produit**
- **Numéro de modèle**
- **Description de la pièce**
- **Numéro de pièce**