



- OWNER'S USE AND CARE GUIDE
- GUIDE D'UTILISATION ET SOIN DE PROPRIÉTAIRE

CAUTION

Read and follow all safety rules and operating instructions before first use of this product.

PRÉCAUTION

Veillez lire attentivement les consignes de sécurité et les instructions d'utilisation avant l'utilisation initiale de ce produit.



**MODEL • MODÈLE
DWC047D1BSSPR**



1-844-455-6097

Danby Products Limited, Guelph, Ontario Canada N1H 6Z9
Danby Products Inc., Findlay, Ohio USA 45840

CONTENTS / TABLE DES MATIÈRES

WINE COOLER

Owner's Use and Care Guide.....1 - 13

- Safety Instructions
- Before Use
- Installation Instructions
- Features
- Operating Instructions
- Care and Maintenance
- Troubleshooting
- Warranty

REFOIDISSEUR A VIN

Guide d'utiliser et soin propriétaire.....14 - 26

- Consignes de sécurité
- Avant l'utilisation
- Notice d'installation
- Caractéristiques
- Consignes d'utilisation
- Soins et entretien
- Dépannage
- Garantie

Read and follow all safety rules and operating instructions before first use of this product.

Veillez lire attentivement les consignes de sécurité et les instructions d'utilisation avant l'utilisation initiale de ce produit.

Model • Modèle
DWC047D1BSSPR

Silhouette®/MD Thank you for choosing Silhouette

We know you're excited. We are too! However, the more familiar you are with your new appliance, the better experience you will have. We therefore strongly suggest that you **read this Owner's Manual before plugging in your new appliance**. It contains important operational information that will help you make full use of the technical features available in your appliance. The manual also contains information designed to enhance operating reliability and safety, as well as tips to maintaining your new appliance so that it brings you happiness for years to come.

Please visit www.silhouetteappliances.com to access self-service tools, FAQs and more. Should you need additional assistance, please call 1-844-455-6097.

**Note: You will need the below information to obtain service under warranty.
To receive service, you must provide the original receipt.**

Model Number:	_____
Serial Number:	_____
Date of Purchase:	_____

NEED HELP?

Before you call for service, here are a few things you can do to help us serve you better:

Read this Owner's Manual:

It contains instructions to help you use and maintain your appliance properly.

If you received a damaged appliance:

Immediately contact the retailer (or builder) that sold you the appliance.

Save time and money:

Check the Troubleshooting section at the end of the guide before calling. This section helps you solve common problems that may occur.

If you do need service, you can relax, knowing help is only a phone call away.





Important Safety Information

READ AND FOLLOW ALL SAFETY INSTRUCTIONS



IMPORTANT WARNING

An empty wine cooler is a very dangerous attraction to children. Remove either the gasket or door from unused appliances, or take some other action that will guarantee it harmless.

DANGER: Risk of child entrapment. Before you throw away your old wine cooler:

- Take off doors.
- Leave the shelves in place so that children may not easily climb in.

DON'T WAIT! DO IT NOW!

ELECTRICAL REQUIREMENTS

To avoid installation or operation difficulties, read these instructions thoroughly.

- This appliance must be grounded. Connect only to a properly grounded outlet. See "Grounding Instructions" section.
- Do not operate this appliance if it has a damaged power cord or plug, if it is not working properly, or if the appliance has been damaged or dropped.
- Never allow children to operate, play with, or crawl inside the appliance.
- Never clean appliance parts with flammable fluids. The fumes can create a fire hazard or explosion.
- Do not store or use gasoline or any other flammable vapors or liquids in the vicinity of this or any other appliance. The fumes can create a fire hazard or explosion.
- Do not splice the power cord that is equipped with this appliance.
- Keep power cord away from heated surfaces.
- Do not immerse power cord, plug or the appliance itself in water.
- Do not use this product near water for example, in a wet basement, laundry room or near a sink.
- Do not use corrosive chemicals or vapors in this appliance.
- Use this appliance only for its intended use, as described in this manual.
- Store beverages in sealed containers only.
- See door surface cleaning instructions in the Care and Maintenance section of this manual.
- Do not cover or block any openings on the appliance.
- Do not store perishable food items such as (but not limited to) meats and dairy products in your wine cooler. This appliance does not get cold enough to be food safe.
- This appliance is intended for household use only. Do not operate or store this appliance outdoors.
- This appliance should be serviced only by qualified service personnel. Contact the nearest authorized service facility for examination, repair or adjustment.

SAVE THESE INSTRUCTIONS!



Important Safety Information

READ AND FOLLOW ALL SAFETY INSTRUCTIONS

GROUNDING INSTRUCTIONS

This appliance is equipped with a cord having a grounding wire with a grounding plug. The plug must be plugged into an outlet that is properly installed and grounded. This appliance must be grounded. In the event of an electrical short circuit, grounding reduces the risk of electric shock by providing an escape wire for the electric current.

WARNING - Improper use of the grounding plug can result in a risk of electric shock. Consult a qualified electrician or service agent if the grounding instructions are not completely understood, or if doubt exists as to whether the appliance is properly grounded.

If the outlet is a standard 2-prong wall outlet, it is your personal responsibility and obligation to have it replaced with a properly grounded 3-prong wall outlet.

For best operation, plug this appliance into its own electrical outlet to prevent flickering of lights, blowing of fuse or tripping of circuit breaker

DO NOT USE AN EXTENSION CORD

Use an exclusive 115V wall outlet. Do not connect your appliance to extension cords or together with another appliance in the same wall outlet. Do not splice the cord. Do not under any circumstances cut or remove the third (ground) prong from the power cord. Do not use an adapter plug with this appliance.

SAFETY REQUIREMENTS

Ensure that component parts shall be replaced with like components and that servicing shall be done by factory authorized service personnel, so as to minimize the risk of possible ignition due to incorrect parts or improper service.

This appliance must be grounded. In the event of an electrical short circuit, grounding reduces the risk of electrical shock by providing an escape wire for the electrical current. The serial rating plate indicates the voltage and frequency the appliance is designed for.

Risk of fire or explosion due to puncturing of refrigerant tubing. Do not use sharp objects to aid in defrost. Please handle with care. Keep flammable materials and vapors such as gasoline away from the refrigerator. Use nonflammable cleaner.

Disposal of this unit should be in accordance with federal and local regulations.

This appliance is not intended for use by persons (including children) whose physical, sensory or mental capabilities may be different or reduced, or who lack experience or knowledge, unless such persons receive supervision or training to operate the appliance by a person responsible for their safety.

WARNING: Keep ventilation openings, in the appliance enclosure or in the built-in structure, clear of obstruction.

WARNING: Do not use mechanical devices or other means to accelerate the defrosting process, other than those recommended by the manufacturer.

WARNING: Do not damage the refrigerant circuit.

WARNING: Do not use electrical appliances inside the food storage compartments of the appliance, unless they are of the type recommended by the manufacturer.

SAVE THESE INSTRUCTIONS!



Important Safety Information

READ AND FOLLOW ALL SAFETY INSTRUCTIONS

FOR YOUR SAFETY

- While performing installations described in this section, gloves and goggles or safety glasses should be worn. Two people should be used when moving the wine cooler.
- Remove interior and exterior packaging prior to installation.
- Before connecting the appliance to a power source, let it stand upright for approximately 4 hours; this will reduce the possibility of a malfunction in the cooling system from handling during transportation.
- Place your wine cooler on a floor that is strong enough to support it when it is fully loaded. To level your wine cooler, adjust the front leveling leg at the bottom of the unit.
- Locate the wine cooler away from direct sunlight and sources of heat (stove, heater, radiator, etc.). Direct sunlight and heat sources may increase electrical consumption. Extreme cold ambient temperatures may also cause the unit to perform improperly.
- Avoid locating the unit in moist areas.
- Plug the wine cooler into an exclusive, properly installed-grounded wall outlet. Do not under any circumstances cut or remove the third (ground) prong from the power cord. Any questions concerning power and/or grounding should be directed toward a certified electrician or an authorized service centre.
- Do not cover shelves with aluminum foil or any other material which may prevent air circulation.
- Do not open the door unless necessary.
- Should the wine cooler be stored without use for long periods, it is suggested, after careful cleaning, to leave the door ajar. This will allow air to circulate inside the cabinet in order to avoid possible formations of condensation, mold and odors.
- This appliance may tip when shelves are extended, possibly causing damage, injury or loss of contents. If this appliance is being used in a free-standing application, the anti-tip bracket must be installed.
- If the power supply cord is damaged it must be replaced by the manufacturer, its service agent or similarly qualified person in order to avoid hazard.



IMPORTANT WARNING

Risk of fire or explosion due to puncturing of refrigerant tubing. Do not use sharp objects to aid in defrost. Please handle with care. Keep flammable materials and vapors such as gasoline away from the unit. Use nonflammable cleaner.

Disposal of this unit should be in accordance with federal and local regulations.

SAVE THESE INSTRUCTIONS!

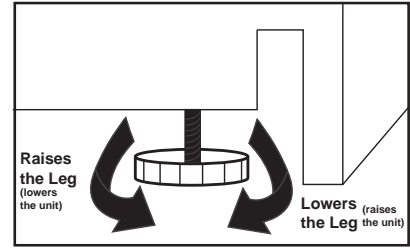


Installation Instructions

LEVELING INSTRUCTIONS

Beneath the wine cooler there are two leveling legs that are located on either side of the vent. It is important that your wine cooler is level. To level the unit:

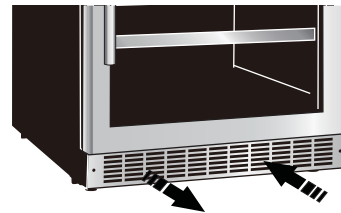
1. Have someone gently lean against the front of the wine cooler to take some weight off the leveling legs.
2. Turn the leveling legs clockwise to raise the wine cooler or counter-clockwise to lower it. Continue in this manner until the wine cooler is level.



LOCATION

Selecting the proper location will ensure peak performance levels for your appliance. Choose a location where the unit will not be exposed to heat emitting sources (e.g. a fireplace or stove). The wine cooler should not be exposed to direct sunlight. Do not use product near water, for example in a wet basement or near a sink.

NOTE: This unit is front breathing. Do not block the front air vent. Blockage of the vent will result in high operating temperatures and system failure.



PREPARING THE ENCLOSURE

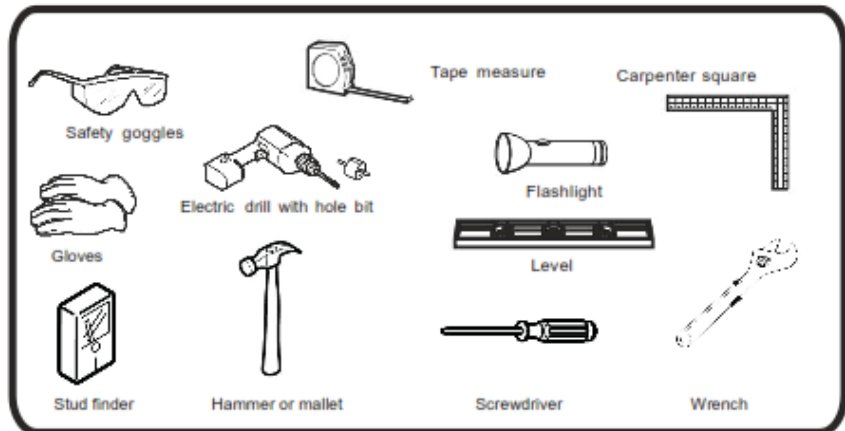
Electrical Requirements:

The appliance must be connected to an individual, properly grounded electrical outlet, protected by a 15 ampere circuit breaker or time delay fuse.

Tools you will need:

While performing installations described in this section, gloves and safety glasses or goggles should be worn. You may also require:

- tape measure
- carpenter square
- electric drill with hole bit
- flashlight
- level
- stud finder
- hammer or mallet
- screwdriver
- wrench



It is recommended that you do not install the unit into a corner (i.e. directly beside a wall). This is to allow the door to have a greater than 90° opening swing. A limited door swing may lead to damaging the door gasket. If it is necessary to install the unit in a corner, be sure to allow 2-4 inches of clearance at each side.

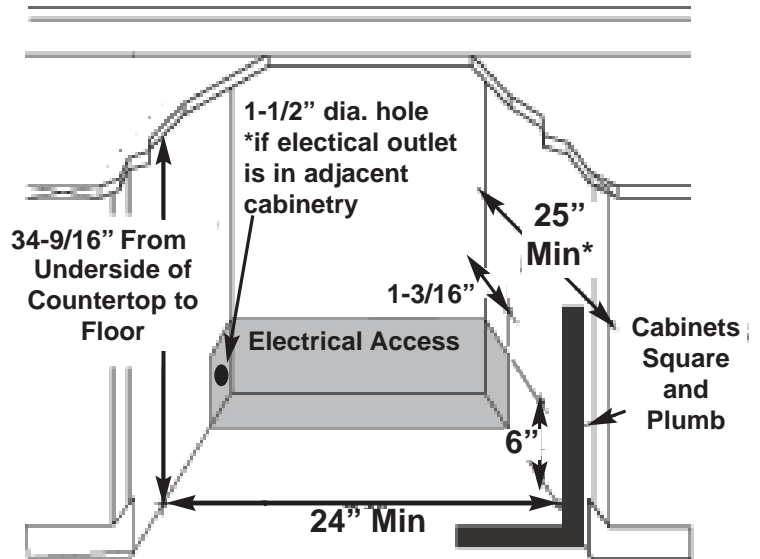


Installation Instructions

PREPARING THE ENCLOSURE

- The rough cabinet opening must be on a level floor area and a minimum 25" (63.5 cm) deep by 24" (60.96 cm) wide and at least 34 9/16" (87.8 cm) high.
- The electrical outlet may be positioned from within either side of the adjacent cabinetry, or the rear of the shaded area.
- If the electrical outlet is located inside the adjacent cabinetry, cut a 1.5" (3.81 cm) diameter hole to admit the power cord. If the cabinet wall is metal, the hole edge must be covered with a bushing or grommet.

Important: The listed depth requirement for the installation is assuming that the electrical outlet is located in the adjacent cabinetry or is flush mounted in the rear wall, not surface mounted in the enclosure.

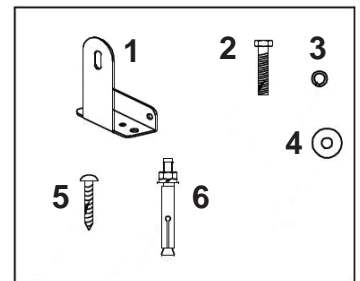


ANTI-TIP BRACKET

This appliance may tip when shelves are extended, causing damage, injury or loss of contents. If this appliance is being used in a free standing application, the anti-tip bracket must be installed on either the back left or back right side of the unit.

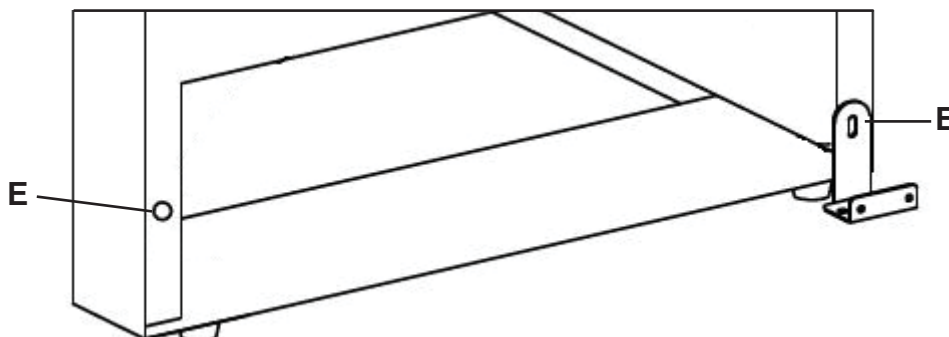
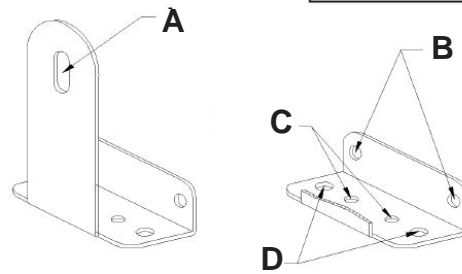
Pieces provided:

1. Anti-tip bracket
2. Bolt
3. Lock Washer
4. Flat Washer
5. Screws
6. Expansion Screws



Anti-tip bracket mounting holes:

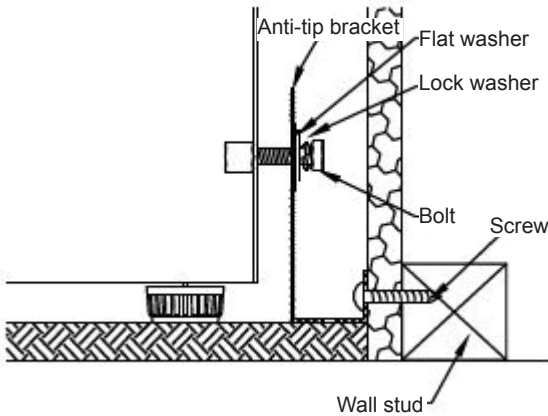
- A:** Fixed mounting hole for unit
- B:** Fixed mounting holes for drywall
- C:** Fixed mounting holes for wood floor
- D:** Fixed mounting holes for concrete floor
- E:** Mounting holes on the back of the unit





Installation Instructions

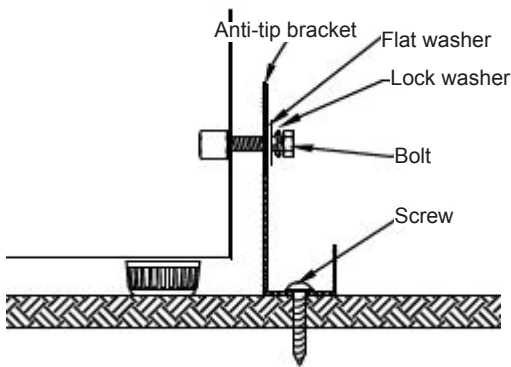
Important: Determine the final location of the appliance before attempting to install the bracket. You will need to choose one of the three installation methods below.



Drywall Installation:

1. Place the bracket on the floor with mounting hole B against the wall.
2. Use two screws to secure the bracket to the wall.
3. Ensure at least one screw is secured to a wall stud.
4. Place the unit so that the mounting hole E on the unit is lined up with mounting hole A on the bracket and secure with a bolt, a lock washer and a flat washer.

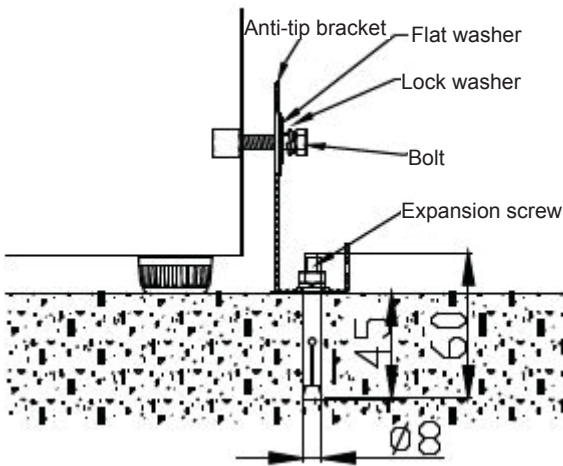
Note: At least one screw must enter a wood wall stud. If there are no wall studs available, use floor installation.



Wood Floor Installation:

1. Place the bracket on the floor and secure it with two screws.
2. Place the unit so that mounting hole E on the unit is aligned with mounting hole A on the bracket and secure with a bolt, a lock washer and a flat washer.

Concrete Floor Installation:



1. Place the bracket on the floor and mark the location of mounting hole D on the floor.
2. Using a concrete drill bit, drill an 8mm (3/8") pilot hole 45~55mm (1.7"~2") deep at the marked location.
3. Remove the nut, spring washer and washer from the expansion screw.
4. Carefully tap the expansion screw into the drilled hole using a hammer or mallet.
5. Place the floor bracket with mounting hole D over the expansion screw and secure with the nut, spring washer and washer.
6. Place the unit so that mounting hole E on the unit is aligned with mounting hold A on the bracket and secure with a bolt, lock washer and flat washer.

Important: After installing the bracket, try using light force to tip the unit. If the unit does not tip then the bracket is installed correctly. If the unit does tip, reinstall the bracket more securely.

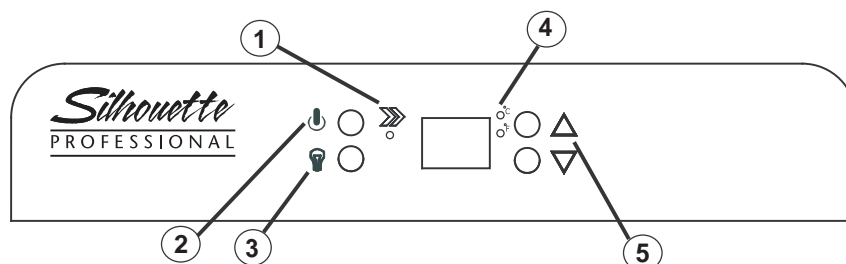
Operating Instructions

FEATURES



1. **Magnetic Door Gaskets:** Tight fitting seals retain all the cooling power and humidity levels.
2. **Twin Door Design:** Divided compartments allow for separate storage of different types of beverages.
3. **Dual Electronic Controls:** For individually regulating the temperature for both compartments of the beverage centre.
4. **Metal Wire Shelves**
5. **Handles**
6. **Tempered Glass Doors:** Low-E glass used to reflect and absorb heat.
7. **Front Mounted Exhaust:** Allows for integrated (built-in) applications.
8. **Leveling Legs**
9. **Interior Light** (not shown): Cool White LED lighting illuminates the interior without the heat of an incandescent bulb.

CONTROL PANEL



1. **Indicator Light:** illuminates to signify the cooling mode is currently in operation.
2. **Power Button:** Press once to turn unit on. Press and hold for 3 seconds to turn unit off.
3. **Light Button:** To control the inner light turn ON/OFF. Press this button to have the light continuously illuminated; lighting will not be controlled by opening or closing the door.
4. **°C / °F:** Adjacent indicator light denotes which scale of temperature is being displayed.
5. **Up and Down Buttons:** Used to raise (warm) or decrease (cool) the temperature in 1° increments.



Operating Instructions

Setting the Temperature Controls

When you plug in your wine cooler for the first time the temperature will automatically be set to 12°C (54°F). The default setting is °F.

- The temperature can be set as low as 5°C (41°F) or as high as 18°C (64°F) to suit your specific storage requirements. Each depression of the Δ or ∇ button will allow you to adjust the temperature in 1° increments within the aforementioned range.
- To switch the display between °F and °C, depress the Δ and ∇ simultaneously for approximately 3-5 seconds.

FUNCTION INSTRUCTION

Door Ajar Alarm Function

- The door ajar alarm will sound if the door is left open for more than 5 minutes. Ensure that the door is completely closed to avoid the loss of cold energy.
- If the door ajar alarm sounds and the door is completely closed, ensure that the rubber gasket on the inside of the door is making a solid seal with the cabinet all the way around.

Temperature Memory Function

- If power is lost, the set temperature will be saved by the unit. Once the power is back on the unit will return to the same set temperature.

Temperature Alarm Function

- If the inner temperature is higher than 23°C (73°F), “HI” is shown on the display panel and the alarm will sound after one hour to alert you that the inner temperature is too high.
- If the inner temperature is lower than 0°C (32°F), “LO” is shown on the display panel and the alarm will sound.

If too many bottles/cans are put in at once or if the door has not been closed tightly, the unit will display the “HI” signal in the display panel. This is normal, please wait 5 minutes after you close the door and “HI” will disappear.

It is normal that the cabinet shows “HI” or “LO” from time to time. If it occurs frequently or lasts for a long time, you can restart the unit by unplugging it. If the problem occurs once again after restart, please contact customer service.



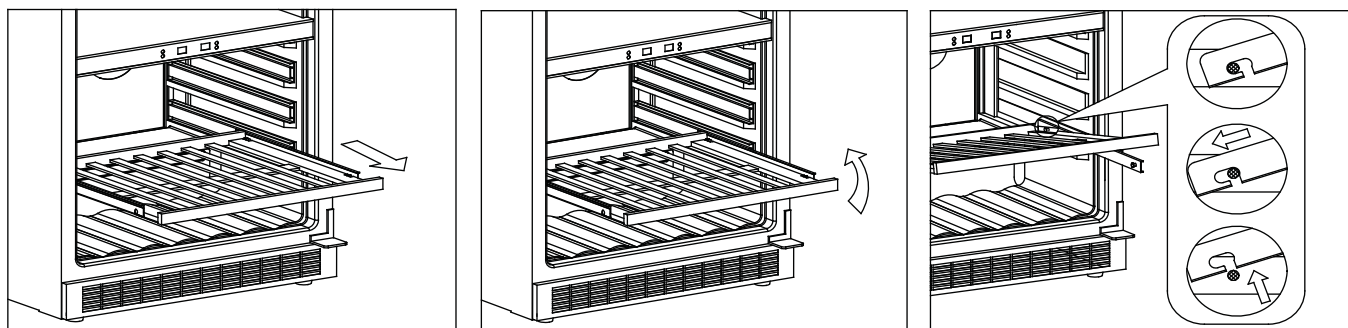
Operating Instructions

SHELVES

To remove wine shelves:

1. Fully extend the shelf you wish to remove.
2. Lift the front of the shelf up.
3. Holding the shelf track, push the shelf in, then up to release from the rear dampers.

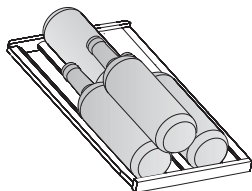
Important: Do not cover the gap on the shelves with aluminum foil or any other material that will prevent adequate air circulation within the cabinet.



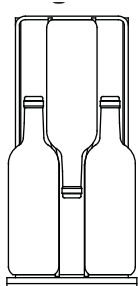
WINE STORAGE

In order to achieve the maximum storage capacity of forty-two (42) bottles, position the bottles in a “head to tail” configuration.

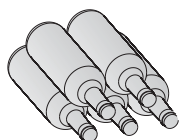
Place four 750 ml bottles on the top shelf:



Place three 750 ml bottles on each of the middle shelves:



Place five 750 ml bottles on the bottom rack:





Care and Maintenance

CLEANING YOUR WINE COOLER

Cleaning the Inside:

- **Walls, floor, inside window and shelves** - Some water deposits and dust can be removed with a dry paper towel, others may require a damp cloth.

Cleaning the Outside:

- **Outer Case** - It is important to keep the area clean where the door seals against the cabinet. Clean this area with a soapy cloth. Rinse with a damp cloth and let dry.
- **Control Panel and Door** - Wipe with a damp cloth and dry thoroughly. Do not use cleaning sprays, large amounts of soap and water, abrasive or sharp objects on the panel, they can damage it. Some paper towels may also scratch the control panel and glass on the door.
- **Door Surface** - Use only mild, non-abrasive detergents applied with a clean sponge or soft cloth. Rinse well with damp cloth.

NOTE: Do not use cleaners containing ammonia or alcohol on the wine cooler. Ammonia or alcohol can damage the appearance of the appliance.

NOTE: Never use any commercial / abrasive cleaners or sharp objects on any part of the wine cooler.

POWER FAILURE

- Most power failures are corrected within a few hours and should not affect the temperature of your appliance if you minimize the number of times the door is opened. If the power is going to be off for a longer period of time, you need to take the proper steps to protect your contents.
- In the event of a power failure, wait 3 to 5 minutes before restarting.

VACATION TIME

- **Short vacations:** Leave the wine cooler operating during vacations of less than three (3) weeks.
- **Long vacations:** If the appliance will not be used for several months, remove all items and turn off the appliance. Clean and dry the interior thoroughly. To prevent odor and mold growth, leave the door open slightly, blocking it open if necessary.

ENERGY SAVING TIP

- The unit should be located in the coolest area of the room, away from heat producing appliances, and out of direct sunlight.

MOVING YOUR WINE COOLER

- Remove all items.
- Securely tape down all loose items (shelves) inside your appliance.
- Turn the adjustable leg up to the base to avoid damage.
- Tape the door shut.
- Be sure the appliance stays secure in the upright position during transportation. Also protect the outside of the appliance with a blanket or similar item.

DISPOSING OF YOUR WINE COOLER

This product may not be treated as regular household waste, it should be taken to the appropriate waste collection point for recycling of electrical components. For information on local waste collection points, contact your local waste removal agency or government office.



Troubleshooting

Occasionally, a problem is minor and a service call may not be necessary- use this troubleshooting guide for a possible solution. If the unit continues to operate improperly, call an authorized service depot or **our Toll Free Number 1-844-455-6097** for assistance.

PROBLEM	POSSIBLE CAUSE	SOLUTIONS
No power	<ul style="list-style-type: none"> • A fuse in your home may be blown or the circuit breaker tripped • Power surge • Plug not fully inserted into wall outlet 	<ul style="list-style-type: none"> • Replace fuse or reset circuit breaker • Unplug the beverage centre, wait a few seconds and then plug it back in • Make sure the 3-prong plug is fully inserted into the outlet
Cabinet temperature is too high	<ul style="list-style-type: none"> • Temperature is set too high • Door is not shut properly or opened excessively • Exhaust vent is obstructed • Recently added a large quantity of warm beverages to the cabinet 	<ul style="list-style-type: none"> • Verify the temperature control setting, adjust if necessary • Ensure that the door is fully closed and that the gasket is sealing against the cabinet. Open the doors only as needed and for short periods of time • Verify there is nothing blocking the front mounted exhausting vent • Limit the quantity of warm beverages being introduced to the cabinet at the same time. Attempt to stagger the load introduction if possible
Alarm beeping and “HI” is displayed on the control panel	<ul style="list-style-type: none"> • Recently added a large quantity of warm bottles or cans to the cabinet • The door is not closed tightly • System leak, evaporator fan failure or compressor fan failure 	<ul style="list-style-type: none"> • Limit the quantity of warm items being introduced to the cabinet • Be sure the door is closed tightly • Contact a service centre, to stop the beeping, unplug the unit
Alarm beeping and “LO” is displayed in the control panel	<ul style="list-style-type: none"> • Sensor failure, evaporator temperature is too low 	<ul style="list-style-type: none"> • Contact a service centre, to stop the beeping, unplug the unit
Condensation on the cabinet and/or doors	<ul style="list-style-type: none"> • High humidity conditions in the home • Door not shut properly or opened excessively 	<ul style="list-style-type: none"> • The condensation will subside once humidity conditions return to normal • Ensure that the door is fully closed and that the gasket is sealing against the cabinet. Open the door only as needed and for short periods of time



LIMITED IN-HOME APPLIANCE WARRANTY

This quality product is warranted to be free from manufacturer's defects in material and workmanship, provided that the unit is used under the normal operating conditions intended by the manufacturer.

This warranty is available only to the person to whom the unit was originally sold by Danby Products Limited (Canada) or Danby Products Inc. (U.S.A.) (hereafter "Danby") or by an authorized distributor of Danby, and is non-transferable.

TERMS OF WARRANTY

Plastic parts, are warranted for thirty (30) days only from purchase date, with no extensions provided.

First 24 months During the first twenty four (24) months, any functional parts of this product found to be defective, will be repaired or replaced, at warrantor's option, at no charge to the ORIGINAL purchaser.

To obtain service Danby reserves the right to limit the boundaries of "In Home Service" to the proximity of an Authorized Service Depot. Any appliance requiring service outside the limited boundaries of "In Home Service", it will be the consumer's responsibility to transport the appliance (at their own expense) to the original retailer (point of purchase) or a service depot for repair. See "Boundaries of In Home Service" below. Contact your dealer from whom your unit was purchased, or contact your nearest authorized Danby service depot, where service must be performed by a qualified service technician. If service is performed on the units by anyone other than an authorized service depot, or the unit is used for commercial application, all obligations of Danby under this warranty shall be void.

Boundaries of in-home service If the appliance is installed in a location that is 100 kilometers (62 miles) or more from the nearest service center your unit must be delivered to the nearest authorized Danby Service Depot, as service must only be performed by a technician qualified and certified for warranty service by Danby. Transportation charges to and from the service location are not protected by this warranty and are the responsibility of the purchaser.

Nothing within this warranty shall imply that Danby will be responsible or liable for any spoilage or damage to food or other contents of this appliance, whether due to any defect of the appliance, or its use, whether proper or improper.

EXCLUSIONS

Save as herein provided, by Danby, there are no other warranties, conditions, representations or guarantees, express or implied, made or intended by Danby or its authorized distributors and all other warranties, conditions, representations or guarantees, including any warranties, conditions, representations or guarantees under any Sale of Goods Act or like legislation or statute is hereby expressly excluded. Save as herein provided, Danby shall not be responsible for any damages to persons or property, including the unit itself, howsoever caused or any consequential damages arising from the malfunction of the unit and by the purchase of the unit, the purchaser does hereby agree to indemnify and hold harmless Danby from any claim for damages to persons or property caused by the unit.

GENERAL PROVISIONS

No warranty or insurance herein contained or set out shall apply when damage or repair is caused by any of the following:

- 1) Power failure.
- 2) Damage in transit or when moving the appliance.
- 3) Improper power supply such as low voltage, defective house wiring or inadequate fuses.
- 4) Accident, alteration, abuse or misuse of the appliance such as inadequate air circulation in the room or abnormal operating conditions (extremely high or low room temperature).
- 5) Use for commercial or industrial purposes (ie. If the appliance is not installed in a domestic residence).
- 6) Fire, water damage, theft, war, riot, hostility, acts of God such as hurricanes, floods etc.
- 7) Service calls resulting in customer education.
- 8) Improper Installation (ie. Building-in of a free standing appliance or using an appliance outdoors that is not approved for outdoor application). Proof of purchase date will be required for warranty claims; so, please retain bills of sale. In the event warranty service is required, present this document to our AUTHORIZED SERVICE DEPOT.

Warranty Service
In-home

Danby Products Limited
PO Box 1778, Guelph, Ontario, Canada N1H 6Z9
Telephone: (519) 837-0920 FAX: (519) 837-0449

1-844-455-6097
05/14

Danby Products Inc.
PO Box 669, Findlay, Ohio, U.S.A. 45840
Telephone: (419) 425-8627 FAX: (419) 425-8629



Merci d'avoir choisi Silhouette

Nous savons que vous êtes excité. Nous sommes aussi! Cependant, le plus que vous vous familiarisez avec votre nouvel appareil, le mieux va être votre expérience. Nous suggérons donc de **lire ces instructions avant connecter votre nouvel appareil**. Ce manuel contient des informations opérationnel important qui vous aidera à faire un usage pleine de les caractéristiques techniques disponibles dans votre appareil. Le manuel contient également des informations conçu pour améliorer la fiabilité et la sécurité de votre appareil ainsi que des conseils pour le maintien, pour vous assurez des années de bonheur.

Se il vous plaît visitez www.silhouetteappliance.com pour accéder les outils libre-service, FAQ et plus encore. Si jamais vous avez besoin d'aide supplémentaire, s'il vous plaît appelez 1-844-455-6097. S'il vous plaît ayez votre facture d'achat, le numéro de modèle, et le numéro de série près durant l'appel.

Remarque : Ces renseignements seront nécessaires si votre appareil a besoin d'entretien ou pour les demandes de renseignements généraux. Pour bénéficier d'une opération de maintenance ou de dépannage, le reçu original sera exigé.

Numéro de modèle : _____

Numéro de serie : _____

Date d'achat : _____

BESOIN D'ASSISTANCE ?

Veillez trouver quelques conseils avant de faire appel à nos services, cela nous aidera à mieux vous servir :

Lisez ce guide :

Il comprend des instructions pour l'utilisation et l'entretien adapté de votre appareil.

Si votre nouvel appareil est endommagé :

Contactez immédiatement le revendeur (ou le fabricant).

Gagnez du temps et de l'argent :

Avant de faire appel à nos services, consultez à nouveau la section « Dépannage ». Cette section vous aidera à résoudre des problèmes courants.

Si une réparation est nécessaire, ne vous inquiétez pas, la solution est au bout du fil.



1-844-455-6097



Consignes de sécurité importantes

LIRE ET SUIVRE TOUTES LES INSTRUCTIONS DE SÉCURITÉ



AVERTISSEMENT IMPORTANT

Un refroidisseur de vin vide est une attraction très dangereuse pour les enfants. Retirez soit le joint d'étanchéité ou la porte des appareils non utilisés, ou prendre une autre action qui garantira inoffensif.

DANGER: Risque de piégeage d'enfant. Avant de jeter votre vieux refroidisseur de vin:

- **Enlever les portes.**
- **Laissez les étagères en place afin que les enfants ne grimpent pas facilement.**

N'ATTENDEZ PAS! FAIS LE MAINTENANT!

CONDITIONS ÉLECTRIQUES

Pour éviter toute difficulté d'installation ou de fonctionnement, lisez attentivement ces instructions.

- Cet appareil doit être mis à la terre. Branchez le seulement dans une prise correctement mise à la terre.
- Ne faites pas fonctionner cet appareil s'il a un cordon ou fiche électrique endommagé ou si l'appareil a été endommagé ou échappé.
- N'épissez pas le cordon électrique.
- Ne permettez jamais à un enfant de faire fonctionner l'appareil, de jouer avec ou de ramper à l'intérieur.
- Ne nettoyez jamais de pièces de l'appareil avec un liquide inflammable. Les vapeurs peuvent constituer un risque d'incendie ou provoquer une explosion.
- N'entreposez et n'utilisez pas d'essence ou d'autres liquides ou vapeurs inflammables à proximité de cet appareil ou de tout autre appareil. Les vapeurs peuvent constituer un risque d'incendie ou provoquer une explosion. Gardez le cordon électrique éloigné des sources de chaleur.
- N'immersez pas le cordon ou sa fiche dans aucun liquide.
- N'utilisez pas cet appareil près de bassins d'eau, par exemple dans un sous-sol détrempe, près d'une piscine ou d'un évier.
- N'utilisez pas de produits chimiques ou vapeurs corrosives dans/près de cet appareil.
- N'utilisez cet appareil que pour les fins aux quelles il est conçu comme indiqué dans ce guide.
- Entreposez le vin dans des bouteilles scellées seulement.
- Référez-vous aux instructions de nettoyage du fini de la porte se trouvant au chapitre de Soins et nettoyage de ce guide.
- Ne recouvrez pas ou n'obstruez aucune ouverture de l'appareil.
- Ne placez pas les articles périssables de nourriture dans votre appareil. (Par exemple, les viandes et les produits laitiers). Cet appareil n'est pas assez froid pour être sécuritaire pour les aliments.
- Cet appareil est conçu pour un usage domestique à l'intérieur seulement. N'entreposez ni n'utilisez pas cet appareil à l'extérieur.
- Cet appareil ne devrait être réparé que par du personnel qualifié. Pour tout examen, réparation ou réglage, contactez votre centre de service le plus rapproché.

SAUVE CES INSTRUCTIONS!



Consignes de sécurité importantes

LIRE ET SUIVRE TOUTES LES INSTRUCTIONS DE SÉCURITÉ

MISE À LA TERRE

Cet appareil doit être mis à la terre. Dans l'éventualité d'un court-circuit, la mise à la terre procure un chemin direct contournement du courant pour prévenir l'électrocution des manipulateurs de l'appareil. L'appareil est muni d'un cordon électrique comprenant un fil de mise à la terre et une fiche de terre. Branchez la fiche dans une prise de courant correctement installée et mise à la terre.

AVERTISSEMENT - Une fiche de mise à la terre mal branchée peut entraîner un risque d'incendie, de choc électrique ou de blessures aux personnes qui utilisent l'appareil. Si vous n'êtes pas certain que l'appareil est correctement mis à la terre, consultez un préposé du service qualifié.

Si la prise murale est une prise à 2 branches, c'est votre obligation, et la responsabilité vous en incombe, de la faire remplacer par une prise à trois branches adéquatement mise à la terre. Pour un meilleur rendement et pour éviter que les ampoules d'éclairage de la résidence soient affectées d'un affaissement de tension, ou que le fusible ou disjoncteur du circuit ne grille ou ne se déclenche, dédiez un circuit individuel d'alimentation à la machine à glaçons.

N'UTILISEZ JAMAIS DE FIL DE RALLONGE

Brancher l'appareil à son propre circuit de 115V. N'utilisez pas de rallonge électrique pour brancher votre appareil. Ne branchez pas l'appareil à une prise femelle multiple qui sera également utilisée pour d'autres appareils électriques. N'épissez pas le cordon électrique. N'utilisez pas d'adaptateur de fiche avec cet appareil. N'utilisez pas de cordon de rallonge avec cet appareil.

EXIGENCES DE SÉCURITÉ

Assurez-vous que les composants doivent être remplacés par des composants similaires et que l'entretien doit être effectué par le personnel de maintenance agréé en usine, afin de minimiser le risque d'allumage dû à des pièces incorrectes ou à un mauvais entretien.

Cet appareil doit être mis à la terre. En cas de court-circuit électrique, la mise à la terre réduit le risque de choc électrique en fournissant un fil d'échappement pour le courant électrique. La plaque signalétique en série indique la tension et la fréquence pour lesquelles l'appareil est conçu.

Risque d'incendie ou d'explosion dû à la perforation des tuyaux de réfrigérant. N'utilisez pas d'objets tranchants pour faciliter le dégivrage. Veuillez manipuler avec précaution. Garder les matériaux et les vapeurs inflammables tels que l'essence à l'écart du réfrigérateur. Utiliser un nettoyant non inflammable.

L'élimination de cet appareil doit être conforme aux règlements fédéraux et locaux.

Cet appareil n'est pas destiné à être utilisé par des personnes (y compris des enfants) dont les capacités physiques, sensorielles ou mentales peuvent être différentes ou réduites, ou qui manquent d'expérience ou de connaissances, sauf si ces personnes reçoivent une supervision ou une formation pour faire fonctionner l'appareil par une personne responsable de leur sécurité.

AVERTISSEMENT: Veillez à ce que les ouvertures de ventilation, dans l'enceinte de l'appareil ou dans la structure intégrée, ne soient pas obstruées.

AVERTISSEMENT: N'utilisez pas de dispositifs mécaniques ou d'autres moyens pour accélérer le processus de dégivrage, autres que ceux recommandés par le fabricant.

AVERTISSEMENT: Ne pas endommager le circuit frigorigène.

AVERTISSEMENT: N'utilisez pas d'appareils électriques à l'intérieur des compartiments de l'appareil, sauf s'ils sont du type recommandé par le fabricant.

SAUVE CES INSTRUCTIONS!



Consignes de sécurité importantes

LIRE ET SUIVRE TOUTES LES INSTRUCTIONS DE SÉCURITÉ

POUR VOTRE SÉCURITÉ

- Deux personnes devraient être utilisées lorsque vous déplacez le refroidisseur de vin.
- Retirer l'emballage intérieur et extérieur avant l'installation.
- Avant de brancher l'appareil à une source d'alimentation, laissez - le reposer verticalement pendant environ 4 heures; Cela réduira la possibilité d'un mauvais fonctionnement dans le système de refroidissement de la manipulation pendant le transport.
- Placez votre refroidisseur de vin sur un plancher qui est assez fort pour le soutenir quand il est complètement chargé. Pour niveler votre refroidisseur de vin, réglez la jambe de nivellement avant au bas de l'appareil.
- Localisez le refroidisseur de vin à l'abri de la lumière directe du soleil et des sources de chaleur (poêle, radiateur, etc.). La lumière directe du soleil et les sources de chaleur peuvent augmenter la consommation électrique. Des températures ambiantes extrêmes peuvent également provoquer un dysfonctionnement de l'appareil.
- Évitez de placer l'appareil dans des endroits humides.
- Branchez le refroidisseur à vin dans une prise murale exclusive, correctement installée. Ne jamais couper ou retirer la troisième broche (mise à la terre) du cordon d'alimentation. Toute question concernant l'alimentation et / ou la mise à la terre doit être adressée à un électricien agréé ou à un centre de service agréé.
- Ne couvrez pas les étagères avec du papier d'aluminium ou tout autre matériau qui pourrait empêcher la circulation d'air.
- Pour que l'armoire reste efficace, ne la surchargez pas.
- N'ouvrez pas la porte si nécessaire.
- Si le refroidisseur de vin est conservé sans utilisation pendant de longues périodes, il est suggéré, après un nettoyage soigneux, de laisser la porte entrebâillée. Cela permettra à l'air de circuler à l'intérieur de l'armoire afin d'éviter les formations possibles de la condensation, les moisissures et les odeurs.
- Si le cordon d'alimentation est endommagé, il doit être remplacé par le fabricant, son agent de service ou une personne qualifiée pour éviter tout risque.



AVERTISSEMENT IMPORTANT

Risque d'incendie ou d'explosion dû à la perforation des tuyaux de réfrigérant. N'utilisez pas d'objets opaques pour faciliter le dégivrage. Veuillez manipuler avec précaution. Gardez les matériaux et les vapeurs inflammables tels que l'essence à l'écart de l'appareil. Utiliser un nettoyeur non inflammable.

L'élimination de cet appareil doit être conforme aux règlements fédéraux et locaux.

SAUVE CES INSTRUCTIONS!

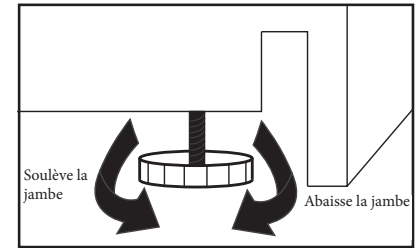


Instructions d'installation

INSTRUCTIONS DE NIVEAU

Sous le refroidisseur de vin il ya deux jambes de nivellement qui sont situ  de chaque c t  de l' vent. Il est important que votre refroidisseur de vin soit de niveau. Pour niveler l'unit :

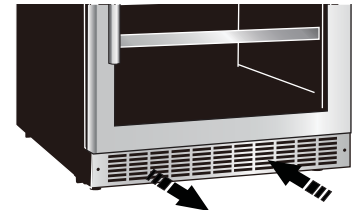
1. D placez le refroidisseur de vin   son emplacement final.
2. Demandez   quelqu'un de s'appuyer l g rement contre l'avant du refroidisseur de vin pour prendre un peu de poids sur les jambes de nivellement.
3. Tournez les pieds de nivellement dans le sens des aiguilles d'une montre pour soulever le refroidisseur de vin ou dans le sens inverse des aiguilles d'une montre pour l'abaisser. Continuez de cette mani re jusqu'  ce que le refroidisseur de vin soit   niveau.



EMPLACEMENT

Le choix de l'emplacement appropri  garantira des performances optimales pour votre appareil. Choisissez un endroit o  l'appareil ne sera pas expos    des sources d' mission de chaleur (par exemple une chemin e ou un po le). Le refroidisseur de vin ne doit pas  tre expos  aux rayons directs du soleil. Ne pas utiliser le produit pr s de l'eau, par exemple dans un sous-sol humide ou pr s d'un  vier.

REMARQUE : Cette unit  est la respiration avant. Ne bloquez pas la bouche d'a ration sur la face avant de l'appareil. Le blocage de la bouche d'a ration se traduira par des temp ratures de fonctionnement  lev es et de d faillance du syst me.



PR PARATION DU LA OUVERTURE

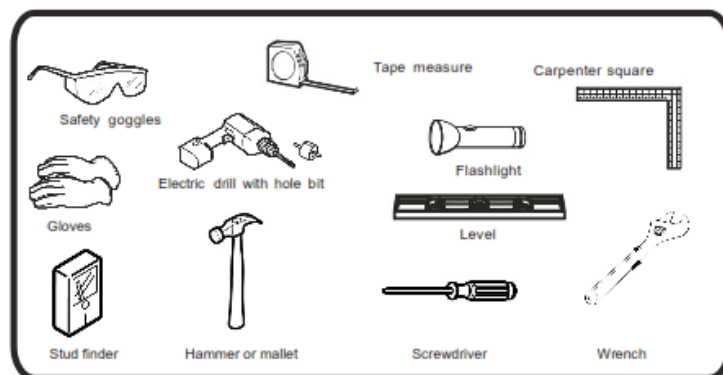
Conditions  lectriques :

L'appareil doit  tre raccord    une prise individuelle correctement install e et mise   la terre, prot g e par un disjoncteur ou un fusible temporis  de 15 amp res.

Outils n cessaires:

Lors de l'ex cution des installations d crites dans cette section, porter des gants et des lunettes ou des lunettes de s curit . Vous pouvez  galement demander:

- m tre   ruban
- carr  charpentier
- perceuse  lectrique avec trou
- lampe de poche
- niveau
- chercheur de montants
- marteau ou maillet
- tournevis
- cl  anglaise



Il est recommand  de ne pas installer l'unit  dans un coin (c'est- -dire directement   c t  d'un mur). Ceci permet   la porte d'avoir une oscillation d'ouverture sup rieure   90  . Un pivotement limit  de la porte peut endommager le joint de la porte. Si il est n cessaire d'installer l'unit  dans un coin, assurez-vous de laisser 2-4 pouces de d gagement de chaque c t .

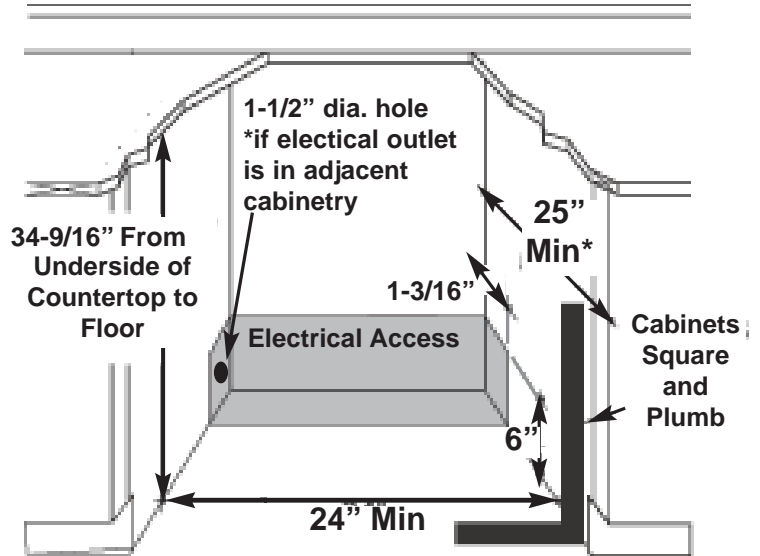


Instructions d'installation

PRÉPARATION DU LA OUVERTURE

- L'ouverture de l'armoire brute doit se trouver sur une surface plane et au minimum 25 "(63,5 cm) de profondeur par 24" (60,96 cm) de large et au moins 34 9/16" (87,8 cm) de haut.
- La prise électrique peut être positionnée de l'intérieur des deux côtés de l'armoire adjacente, ou à l'arrière de la zone ombragée.
- Si la prise de courant se trouve à l'intérieur des armoires adjacentes, découpez un trou de 1,5 "(3,81 cm) de diamètre pour recevoir le cordon d'alimentation. Si le mur de l'armoire est métallique, le bord du trou doit être recouvert d'une douille ou d'un manchon.

Important: L'exigence de profondeur indiquée pour l'installation suppose que la prise électrique se trouve dans les armoires adjacentes ou est encastrée dans la paroi arrière et non montée en surface dans l'enceinte.

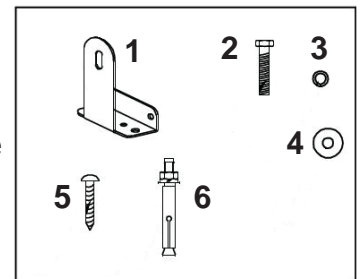


SUPPORT ANTI-TIP

Cet appareil peut basculer lorsque les étagères sont prolongées, ce qui peut causer des dommages, des blessures ou une perte de contenu. Si cet appareil est utilisé dans une application autonome, le support anti-bascule doit être installé sur l'arrière gauche ou arrière droit de l'unité.

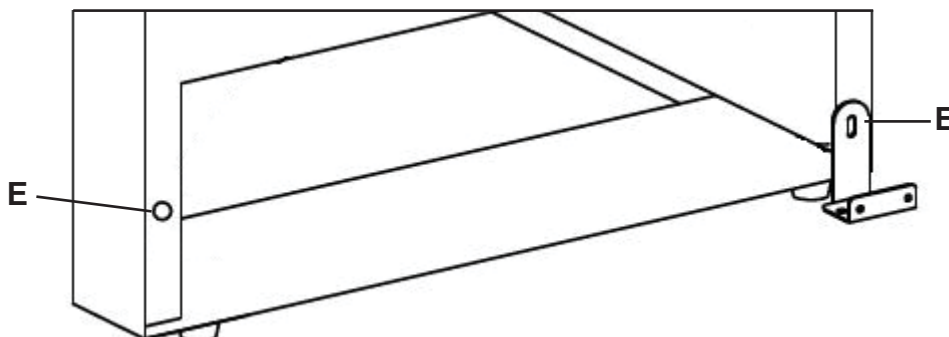
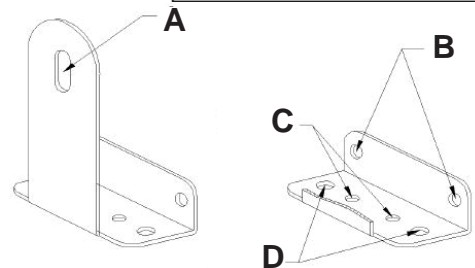
Pièces fournies:

1. Support anti-tip
2. Boulon
3. Rondelle de blocage
4. Rondelle plate
5. Vis
6. Vis d'expansion



Trou de fixation anti-tip:

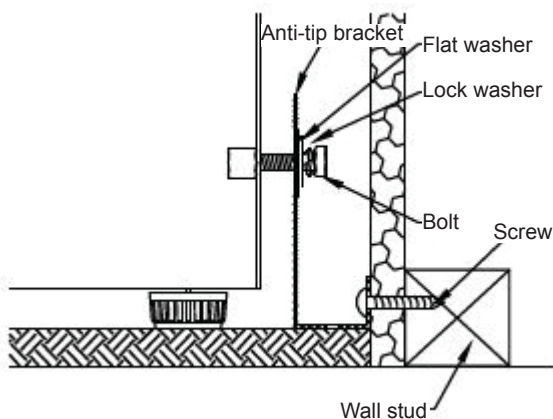
- A:** Trou de montage fixe pour unité
B: Trous de montage fixes pour cloisons sèches
C: Trous de montage fixes pour plancher de bois
D: Trous de montage fixes pour plancher en béton
E: Trou de montage à l'arrière de l'appareil





Instructions d'installation

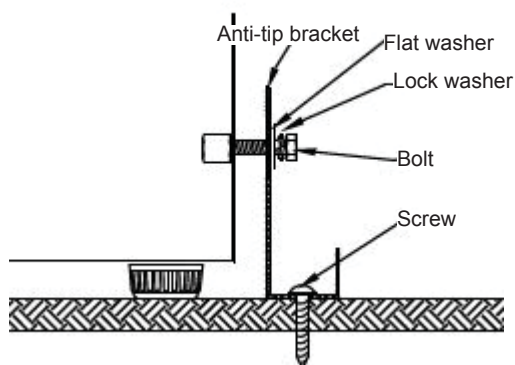
Important: Déterminez l'emplacement final de l'appareil avant d'essayer d'installer le support. Vous devrez choisir l'une des trois méthodes d'installation ci-dessous.



Installation contre la cloison sèche:

1. Placez le support sur le sol avec le trou de montage B contre le mur.
2. Utilisez deux vis pour fixer le support au mur.
3. Assurez-vous qu'au moins une vis est fixée à un poteau mural.
4. Placez l'appareil de sorte que le trou de montage E de l'appareil soit aligné avec le trou de montage A sur le support et fixez-le avec un boulon, une rondelle de blocage et une rondelle plate.

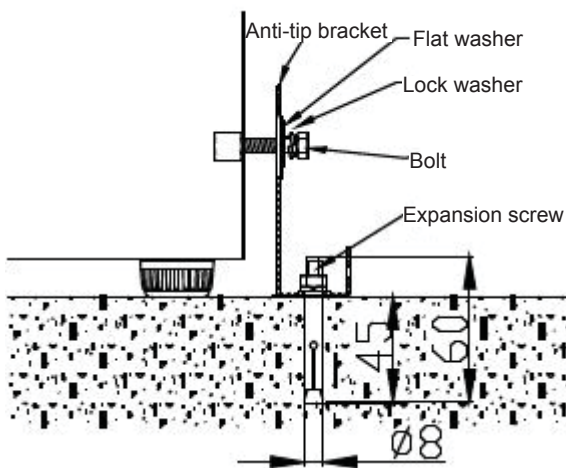
Remarque: Au moins une vis doit pénétrer dans un montant en bois. S'il n'y a pas de goujons disponibles, utilisez l'installation au sol.



Installation avec plancher en bois:

1. Placez le support sur le sol et fixez-le avec deux vis.
2. Placez l'appareil de sorte que le trou de montage E de l'appareil soit aligné avec le trou de montage A sur le support et fixez-le avec un boulon, une rondelle de blocage et une rondelle plate.

Installation au sol en béton:



1. Placez le support sur le sol et marquez l'emplacement du trou de montage D sur le plancher.
2. À l'aide d'une mèche de béton, percer un trou pilote de 8 mm (3/8 ") de 45 ~ 55 mm (1,7" ~ 2 ") de profondeur à l'emplacement marqué.
3. Retirez l'écrou, la rondelle élastique et la rondelle de la vis d'expansion.
4. Taper soigneusement la vis de dilatation dans le trou foré à l'aide d'un marteau ou d'un maillet.
5. Placez le support de sol avec le trou de montage D sur la vis de dilatation et fixez-le avec l'écrou, la rondelle élastique et la rondelle.
6. Placez l'appareil de sorte que le trou de montage E de l'appareil soit aligné sur la fixation A du support et fixez-le à l'aide d'un boulon, d'une rondelle de blocage et d'une rondelle plate.

Important: Après avoir installé le support, essayez d'utiliser une force légère pour faire basculer l'unité. Si l'appareil ne pointe pas, le support est installé correctement. Si l'appareil fait une pointe, réinstallez le support plus solidement.



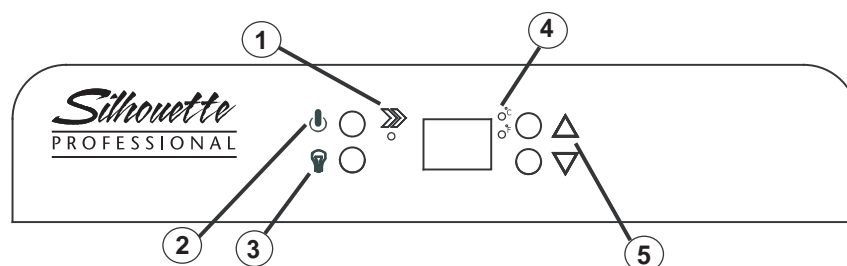
Consignes d'utilisation

CARACTÉRISTIQUES



1. **Joint étanche magnétique** : Le joint étanche permet de conserver le niveau de température et d'humidité à l'intérieur du cabinet.
2. **Deux portes** : Les compartiments divisés permettent l'entreposage séparé des boissons différents.
3. **Contrôles électroniques (duelles)** : Régulation indépendante de la température des deux compartiments du refroidisseur de boisson.
4. **Étagères en verre**
5. **Poignée**
6. **Échappement sur le devant** : Pour des applications intégrées cabinet.
7. **Portes en verre trempé** : Verre à faible émissivité, utilisé à réfléchir et absorber la chaleur.
8. **Pieds de nivellement**
9. **Lumière intérieures** (non illustré) : S'allume lorsqu'on ouvre la porte du cabinet.

PANNEAU DE CONTRÔLE



1. **Voyant**: s'allume pour indiquer que le mode de refroidissement est en cours.
2. **Bouton marche / arrêt**: Appuyer une fois pour allumer l'appareil. Maintenez la touche enfoncée pendant 3 secondes pour désactiver l'appareil.
3. **Bouton Lumière**: Pour activer / désactiver la lumière intérieure. Appuyez sur ce bouton pour que le voyant s'allume en continu; L'éclairage ne sera pas contrôlé par l'ouverture ou la fermeture de la porte.
4. **°C / °F**: Le témoin lumineux adjacent indique quelle échelle de température est affichée.
5. **Boutons Haut et Bas**: Utilisés pour augmenter (réchauffer) ou diminuer (refroidir) la température en incréments de 1°.



Consignes d'utilisation

Réglage des commandes de température

Lorsque vous branchez votre réfrigérateur à vin pour la première fois, la température sera automatiquement réglée à 12 °C (54 °F). Le réglage par défaut est °F.

- La température peut être réglée à 5 °C (41 °F) ou à 18 °C (64 °F) pour répondre à vos besoins spécifiques de stockage. Chaque pression sur le bouton Δ ou ∇ vous permet d'ajuster la température en incréments de 1 ° dans la gamme susmentionnée.
- Pour commuter l'affichage entre °F et °C, appuyez simultanément sur les touches Δ et ∇ pendant environ 3-5 secondes.

INSTRUCTION DE FONCTION

Fonction d'alarme de rappel de porte ouverte

- L'alarme porte entrouverte retentit si la porte reste ouverte pendant plus de 5 minutes. Assurez-vous que la porte est complètement fermée pour éviter la perte d'énergie froide.
- Si l'alarme de porte entrouverte retentit et que la porte est complètement fermée, assurez-vous que le joint d'étanchéité en caoutchouc à l'intérieur de la porte fait un joint solide avec le coffret tout autour.

Fonction de mémorisation de la température

- En cas de panne de courant, le centre de breuvages peut sauvegarder les réglages précédents de la température, et lors du rétablissement du courant, la température du cabinet retournera à la température réglée avant la panne de courant.

Fonction d'alarme de température

- Si la température intérieure est supérieure à 23 °C (73 °F), «HI» est affiché sur l'écran et l'alarme retentit au bout d'une heure pour vous avertir que la température intérieure est trop élevée.
- Si la température interne est inférieure à 0 °C (32 °F), «LO» est affiché sur le panneau d'affichage et l'alarme retentit.

Si trop de bouteilles de vin sont mises dans le refroidisseur en même temps ou si la porte n'est pas bien fermée, il est possible que « HI » apparaisse sur l'afficheur. C'est un phénomène normale : attendez quelques minutes après avoir fermé la porte et « HI » disparaîtra.

Il est normale que le cabinet indique « HI » ou « LO » de temps à autre. Si cela se produit fréquemment ou dure longtemps, vous pouvez éteindre l'appareil, puis le rallumer, pour corriger la situation. Si le problème se reproduit après le redémarrage de l'appareil, veuillez communiquer avec le service après-vente pour obtenir de l'aide.



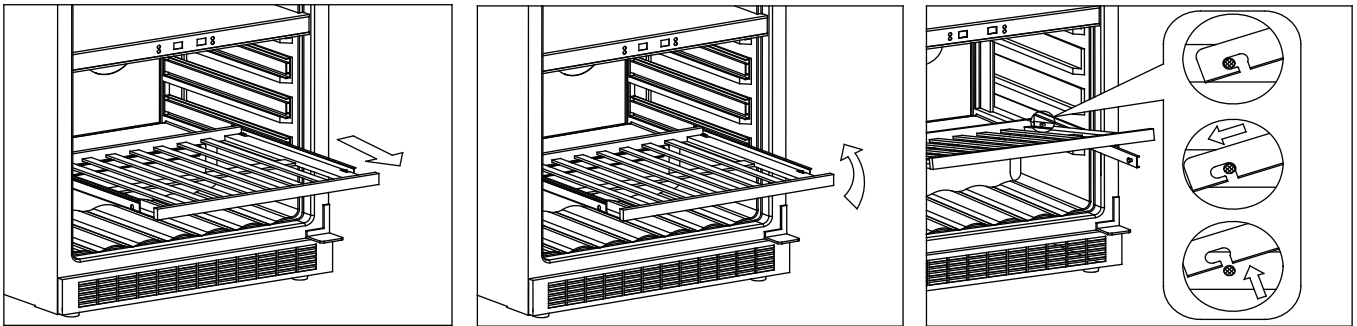
Consignes d'utilisation

ÉTAGÈRES

Pour retirer les clayettes à vin :

1. Étirer complètement la clayette que vous désirez retirer.
2. Soulever vers le haut la partie avant de la clayette.
3. Tout en maintenant le rebord de la clayette, pousser la clayette en place et puis vers le haut de manière à la libérer des clapets arrières.

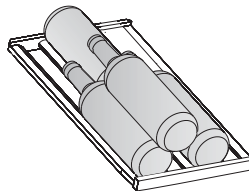
Important: Ne couvrez pas l'espace sur les étagères avec du papier d'aluminium ou tout autre matériau qui empêchera une circulation d'air adéquate dans l'armoire.



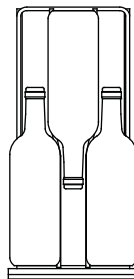
STOCKAGE DE VINS

Afin d'atteindre la capacité de stockage maximale de quarante-deux (42) bouteilles, positionner les bouteilles dans une configuration "tête à queue".

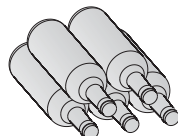
Placez quatre bouteilles de 750 ml sur l'étagère supérieure:



Placez trois bouteilles de 750 ml sur chacune des étagères du milieu:



Placez cinq bouteilles de 750 ml sur le panier inférieur:





Soins et entretien

NETTOYAGE DE VOTRE REFROIDISSEUR DE VIN

Comment nettoyer l'intérieur :

- **Parois, plancher, intérieur de la visière et tablettes** - Certaines éclaboussures d'eau et poussières peuvent être essuyées avec des essuie-tout. D'autres taches peuvent nécessiter un linge humide.

Comment nettoyer l'extérieur :

- **Extérieur de l'armoire** - Il est important de garder la région de scellement de la porte sur l'armoire propre. Nettoyez avec un tissu savonneux, rincez la région et puis séchez.
- **Panneau de commande et porte** - Essuyez avec un chiffon humide. Asséchez bien avec un chiffon sec. N'utilisez pas de nettoyeurs en aérosol, de grandes quantités d'eau et de savon, d'abrasifs ou d'objets acérés sur le panneau, ceci pourrait l'endommager. Certains essui-tout peuvent aussi égratigner le panneau de commande et verre de la porte.
- **Surface du porte** - N'utilisez que des détergents doux, non abrasifs, appliqués avec une éponge propre ou un chiffon doux. Rincez abondamment.

REMARQUE : N'utilisez pas de produits nettoyants comprenant de l'ammoniaque ou de l'alcool sur l'appareil. L'ammoniaque ou l'alcool peuvent altérer le fini de l'appareil.

REMARQUE : N'utilisez jamais de nettoyant industriels sur aucune partie de votre appareil.

PANNE DE COURANT

- La plupart des pannes de courant ne durent que quelques heures et ne devraient pas modifier la température de votre l'appareil si vous réduisez au maximum le nombre de fois où la porte est ouverte. Si le courant reste coupé pendant une longue période. il faut prendre des mesures de protection du contenu de l'appareil.

PÉRIODE DE VACANCES

- **Courtes vacances** : Laissez le unité fonctionner pendant les vacances durant moins de trois (3) semaines.
- **Longues vacances** : Si l'unité ne doit pas être utilisé pendant plusieurs mois, retirez tout ce qu'il contient et mettez-le hors tension. Nettoyez et asséchez à fond l'intérieur. Pour éviter les odeurs et le développement de moisissures, laissez la porte entrouverte, la coincer au besoin.

CONSEIL RELATIF AUX ÉCONOMIES D'ÉNERGIE

- Le refroidisseur de vin devrait être installé dans l'endroit le plus frais de la pièce, loin des sources de chauffage et des rayons directs du soleil.

DÉPLACEMENT DE VOTRE REFROIDISSEUR DE VIN

- Retirez tout ce qu'il contient.
- Immobilisez avec du ruban-cache tout ce qui est mobile (tablettes) dans l'appareil.
- Tournez la patte réglable pour la relever dans la base et éviter tout dommage.
- Maintenez la porte fermée avec du ruban-cache.
- Assurez-vous que le refroidisseur de vin reste bien en position verticale pendant son transport. Protégez aussi l'extérieur du l'appareil avec une couverture ou l'équivalent.

ÉLIMINATION DE VOTRE REFROIDISSEUR DE VIN

Ce produit ne doit pas être traité comme un déchet domestique ordinaire, il doit être transporté au point de collecte approprié pour le recyclage des composants électriques. Pour obtenir des renseignements sur les points de collecte des déchets locaux, communiquez avec votre agence locale de traitement des déchets ou avec le bureau du gouvernement.



Dépannage

De temps en temps, un problème est mineur et un appel de service peut ne pas être nécessaire. Utilisez ce guide de dépannage pour trouver une solution possible. Si l'unité continue de fonctionner incorrectement, appelez un dépôt de service autorisé ou le **numéro sans frais** pour obtenir de l'assistance. **Tel : 1-844-455-6097.**

PROBLÈME	CAUSE POSSIBLE	SOLUTION
L'appareil n'est pas alimenté	<ul style="list-style-type: none">• Un fusible de votre panneau de distribution peut être grillé ou le disjoncteur déclenché• Surtension• La fiche n'est pas complètement insérée dans prise murale	<ul style="list-style-type: none">• Remplacez le fusible ou réarmez le disjoncteur• Débranchez la centre de breuvages et attendez quelques secondes, et puis rebranchez• Assurez-vous que la fiches à 3 branch es de centre de breuvages est complètement insérée dans la prise
La température dans le cabinet est trop haute	<ul style="list-style-type: none">• Réglage du température• Le porte n'est pas fermées correctement ou ouverte trop souvent• L'échappement est obstrué• Stocké une grande quantité de bouteilles ou canettes dans le cabinet	<ul style="list-style-type: none">• Vérifiez que la commande est réglée à la bonne arrangement• Assurez-vous que la porte est fermées et que le joint étanche est contre le coffret. Ouvrez la porte seulement quand nécessaire• Vérifiez qu'il n'y a rien qui bloque l'échappement sur le devant• Limitez la quantité de bouteilles ou canettes qui son stockées dans le cabinet en même temps
L'alarme émet un bip et on peut lire « HI » sur le tableau d'affichage	<ul style="list-style-type: none">• Une grande quantité de bouteilles à la température de la pièce a été récemment introduite dans le caisson de l'appareil• La porte n'est pas fermée hermétiquement• Fuite dans le système, panne du ventilateur de l'évaporateur, panne du ventilateur du compresseur	<ul style="list-style-type: none">• Réduisez l'introduction d'éléments à la température de la pièce dans le caisson• Assurez-vous que la porte soit hermétiquement fermée• Communiquez avec le centre de services. Pour interrompre le signal sonore de l'alarme, débranchez l'appareil
L'alarme émet un bip et on peut lire « LO » sur le panneau d'affichage	<ul style="list-style-type: none">• Panne de capteur, température de l'évaporateur trop basse	<ul style="list-style-type: none">• Communiquez avec le centre de services. Pour interrompre le signal sonore de l'alarme, débranchez l'appareil
L'eau de condensation sur le coffret et/ou les portes	<ul style="list-style-type: none">• Niveau de humidité élevé dans la maison• La porte n'est pas fermées correctement ou son ouverte trop souvent	<ul style="list-style-type: none">• La formation de l'eau de condensation d'arrêtera quand le niveau d'humidité retours à normale• Assurez-vous que la porte est fermée et que le joint étanche est contre le coffret. Ouvrez la porte seulement quand nécessaire.

GARANTIE LIMITÉE SUR APPAREIL ÉLECTROMÉNAGER À DOMICILE

Cet appareil de qualité est garanti exempt de tout vice de matière première et de fabrication, s'il est utilisé dans les conditions normales recommandées par le fabricant.

Cette garantie n'est offerte qu'à l'acheteur initial de l'appareil vendu par Danby Products Limited (Canada) ou Danby Products Inc. (E.- U.A.) (ci-après « Danby ») ou par l'un des ses distributeurs agréés et elle ne peut être transférée.

CONDITIONS

Les pièces en plastique sont garanties pendant trente (30) jours seulement à partir de la date de l'achat, sans aucune prolongation prévue.

Premiers 24 mois Pendant les premiers vingt-quatre (24) mois, toutes les pièces fonctionnelles de ce produit qui s'avèrent défectueuses seront réparées ou remplacées, selon le choix du garant, sans frais à l'acheteur INITIAL.

Pour bénéficier du service Le client sera responsable pour le transport et tous les frais d'expédition de tout appareil exigeant le service au dépôt de service autorisé le plus proche. S'adresser au détaillant qui a vendu l'appareil, ou à la station technique agréée de service la plus proche, où les réparations doivent être effectuées par un technicien qualifié. Si les réparations sont effectuées par quiconque autre que la station de service agréée où à des fins commerciales, toutes les obligations de Danby en vertu de cette garantie seront annulées.

Limites de l'entretien à domicile Si l'appareil est installé à plus de 100 kilomètres (62 milles) du centre de service le plus proche, il doit être livré à l'atelier de réparation autorisé par Danby le plus proche, car l'entretien doit uniquement être réalisé par un technicien qualifié et certifié pour effectuer un entretien couvert par la garantie de Danby. Les frais de transport entre votre domicile et le lieu de l'entretien ne sont pas couverts par la présente garantie et doivent être acquittés par l'acheteur.

Aucune partie de la garantie ne prévoit implicitement que le fabricant sera tenu responsable des dommages subis par les aliments ou d'autres types de contenu, qu'ils soient causés par la défectuosité de l'appareil ou par son usage adéquat ou inadéquat.

EXCLUSIONS

En vertu de la présente, il n'existe aucune autre garantie, condition ou représentation, qu'elle soit exprimée ou tacite, de façon manifeste ou intentionnelle, par Danby ou ses distributeurs agréés. De même, sont exclues toutes les autres garanties, conditions ou représentations, y compris les garanties, conditions ou représentations en vertu de toute loi régissant la vente de produits ou de toute autre législation ou règlement semblables. En vertu de la présente, Danby ne peut être tenue responsable en cas de blessures corporelles ou des dégâts matériels, y compris à l'appareil, quelle qu'en soit les causes. Danby ne peut pas être tenue responsable des dommages indirects dus au fonctionnement défectueux de l'appareil. En achetant l'appareil, l'acheteur accepte de mettre à couvert et de dégager Danby de toute responsabilité en cas de réclamation pour toute blessure corporelle ou tout dégât matériel causé par cet appareil.

CONDITIONS GÉNÉRALES

La garantie ou assurance ci-dessus ne s'applique pas si les dégâts ou réparations sont dus aux cas suivants :

- 1) Panne de courant.
- 2) Dommages subis pendant le transport ou le déplacement de l'appareil.
- 3) Alimentation électrique incorrecte (tension faible, câblage défectueux, fusibles incorrects).
- 4) Accident, modification, emploi abusif ou incorrect de l'appareil tel qu'une circulation d'air inadéquate dans la pièce ou des conditions de fonctionnement anormales (température extrêmement élevée ou basse).
- 5) Utilisation dans un but commercial ou industriel (à savoir, si l'appareil n'est pas installé dans un domicile résidentiel).
- 6) Incendie, dommages causés par l'eau, vol, guerre, émeute, hostilités, cas de force majeure (ouragan, inondation, etc.).
- 7) Visites d'un technicien pour expliquer le fonctionnement de l'appareil au propriétaire.
- 8) Installation inappropriée (par exemple, encastrement d'un appareil autoportant, ou utilisation extérieure d'un appareil non conçu à cet effet). Une preuve d'achat doit être présentée pour toute demande de réparation sous garantie. Prière de garder le reçu. Pour faire honorer la garantie, présenter ce document à la station technique agréée ou s'adresser à :

Service sous garantie
Service au domicile



**Model • Modèle
DWC047D1BSSPR**

For service, contact your nearest service depot or call:

1-844-455-6097

to recommend a depot in your area.

Pour obtenir de l'assistance, communiquez avec votre centre de service le plus rapproché ou composez le :

1-844-455-6097

pour localiser le dépositaire de votre région

WINE COOLER

The model number can be found on the serial plate located on the back panel of the unit.

All repair parts available for purchase or special order when you visit your nearest service depot. To request service and/or the location of the service depot nearest you, call **toll free**.

When requesting service or ordering parts, always provide the following information:

- **Product Type**
- **Model Number**
- **Part Description**
- **Part Number**

REFROIDISSEUR DE VIN

Le numéro de modèle se trouve sur la plaque d'information sur la paroi arrière de l'appareil.

Toutes les pièces de recharge ou commandes spéciales sont disponibles de votre centre régional de service autorisé. Pour exiger le service et/ou le nom de votre centre de service régional, signalez le **numéro sans frais**.

Ayez les renseignements suivants à la portée de la main lors de la commande de pièce ou service :

- **Genre de produit**
- **Numéro de modèle**
- **Description de la pièce**
- **Numéro de pièce**