



|                                      |    |
|--------------------------------------|----|
| 1. IMPORTANT SAFETY INSTRUCTIONS     | 2  |
| 2. INSTALLATION AND HOOK-UP          | 10 |
| 3. DESCRIPTION OF THE CONTROLS       | 17 |
| 4. OPERATING INSTRUCTIONS            | 27 |
| 5. CLEANING AND MAINTENANCE          | 48 |
| 6. TROUBLESHOOTING. WHAT TO DO IF... | 51 |
| 7. TROUBLESHOOTING                   | 56 |

*Thank you for choosing one of our products.*

*You are advised to read this manual carefully; it contains all the information you need about the right conditions for the proper, safe use of your dishwasher.*

*The individual sections are laid out to provide you with a step-by-step guide to all your appliance's functions; the texts are easy to understand and are complete with detailed illustrations.*

*Recommendations are given for the correct use of the baskets, spray arms, containers, filters, washing programs, and for operating the controls. Following the cleaning instructions provided here will keep your dishwasher's performance at peak levels in the long term.*

*This user-friendly manual will provide answers to all your questions about use of the dishwasher.*



**INSTALLATION INSTRUCTIONS:** these are intended for the **qualified technician** who must carry out the installation, hook-up and testing of the appliance.



**USER INSTRUCTIONS:** these consist of recommendations for using the appliance, a description of its controls and of the correct cleaning and maintenance procedures.



This manual includes options, programs and features that may be present on the type of dishwasher you have purchased. For the specific characteristics of your model, please refer to the manual supplied together with the product.



---

# TRANSLATION OF THE ORIGINAL INSTRUCTIONS

## 1. IMPORTANT SAFETY INSTRUCTIONS

### SAVE THESE INSTRUCTIONS

- Before using the appliance, carefully read all the instructions contained in this manual.
- During installation, take care not to injure yourself on the sharp edges of the appliance: wear safety gloves.
- This manual is an integral part of the appliance; it must always be kept intact together with the dishwasher for future reference (even if sold).
- Use the dishwasher only for its intended function.
- This appliance is intended for indoor use in a household environment and similar such as staff kitchens of shops, offices and other workplaces, institutions, and for the use by guests at hotels, hostels, bed and breakfast and other residential facilities. The appliance is designed and manufactured to perform the following function: **washing and drying of dishes**; any other use shall be considered improper. **The manufacturer declines all responsibility for uses other than those described above.**



- Do not use appliances which have been damaged during transit! If in doubt, contact your dealer.
- Do not operate your dishwasher unless all enclosure panels are properly in place.
- Do not tamper with controls.
- The appliance must be installed and connected in accordance with the instructions provided by the manufacturer. **Installation must be performed by qualified technicians in accordance with applicable regulations.**
- **The installation and repair or servicing shall be carried out by qualified and authorised technical personnel.** Interventions by unauthorised personnel can be dangerous and cause the warranty to lapse. The installation must comply with all the directives of the country where the dishwasher is installed, and in the absence of them, in the United States the National Electric Code; in Canada the Canadian Electric Code C22.1 - Latest edition/provincial and municipal codes and/or local codes
- Under certain conditions, hydrogen gas might be produced in a hot-water system that has not been used for two weeks or more. **HYDROGEN GAS IS EXPLOSIVE.** If the hot-water system has not been used for such a period, before using the dishwasher turn on all hot-water faucets and let the water flow from each for several minutes. This will release any accumulated hydrogen gas. As the gas is



flammable, do not smoke or use an open flame during this time.

- Never leave waste packaging unattended. Do not allow children to play with packaging materials. Separate waste packaging materials by type and consign them to the nearest recycling centre.
- The plate with the technical data, serial number and marking is in a visible position on the inside edge of the door. **It must not be removed.**
- The appliance must be earthed in compliance with electrical safety regulations. **The manufacturer declines all responsibility for damage to persons or property resulting from failure to earth the appliance or from a defective earth connection.**
- During the installation the appliance must be disconnected from the network.
- Do not install the appliance in a place subject to freezing.
- Do not install the appliance near equipment with high irradiation temperature (e.g. gas burners, fireplaces, etc.).
- If the appliance is installed in a compartment above or below another equipment (e.g. gas burners, ovens, etc.), read carefully the instructions provided by the manufacturer of the equipment. If the instructions of the equipment do not contain information, contact the manufacturer of the equipment to ensure that the appliance can be installed above or below it.



- Building-in the appliance underneath a hob is absolutely forbidden. Installing a hob on top of free-standing appliance is absolutely forbidden.
- To ensure stability, install the appliance only under continuous worktop, securely fixed to adjacent cabinets. If the appliance is installed in a high cabinet, both the appliance and the cabinet must be adequately fixed.
- If the appliance is not built-in and is therefore accessible on one side, the door hinge area must be covered for safety reason (injury hazard). The covering fixtures are available as an accessory from specialist dealers or the after-sales.
- Check that the voltage and the frequency of the mains match the ratings on the name plate of the appliance.
- The plug on the supply cord and the corresponding socket outlet must be of the same type and meet the regulations in force. Do not use adaptors or shunt connections in order to avoid the possibility of overheating or burning.
- The plug of the appliance must be accessible after installation. Never disconnect the plug by pulling on the power supply lead.
- If the appliance is provided with a plugless supply cord, an omnipolar circuit breaker providing a full disconnection in overvoltage protection class III must be installed in an easily accessible position on the supply line.



- The appliance **must** be connected to the water supply by means of new hoses.
- Briefly test the appliance after installation. Run a wash cycle with a temperature of between 113°F and 158°F (45°C-70°C) with the dishwasher empty and using a specific dishwasher detergent. (It is not sufficient to run a soak cycle). If the dishwasher fails to operate correctly, disconnect it from the electrical power supply and call the nearest technical service centre. **Never attempt to repair the appliance yourself.**
- The dishwasher should only be used by adults. Use by children aged from eight years and persons with reduced physical, sensor or mental capabilities or lack of experience and knowledge is only permitted under the supervision of a person responsible for their safety.
- To reduce the risk of injury, do not allow children to play in or on a dishwasher.
- Use only detergents or wetting agents recommended for use in a dishwasher and keep them out of the reach of children
- Keep children away from the dishwasher when the door is open. Always check that the detergent distributor is empty after completion of the wash cycle.
- Cleaning and regular maintenance of the appliance by children is only permitted under the supervision of a person responsible for their safety.



- Some detergents are strongly alkaline. Avoid contact with the skin and eyes. Detergents can be extremely dangerous if swallowed. They contain substances capable of causing permanent damage to the mouth and throat, and even leading to suffocation. Observe all the safety instructions on the packaging of these products.
- Do not drink the water residues which may be present on the dishes or appliance at the end of the washing program.
- Never place solvents such as alcohol or turpentine, which are potentially explosive, inside the appliance. Never load dishes soiled with ash, wax or paint.
- Never leave the dishwasher door open; people might trip over it.
- Do not abuse, sit on, or stand on the door or dish rack of the dishwasher.
- Switch off the dishwasher after use to avoid wasting electricity.
- Locate sharp items so that they are not likely to damage the door seal.
- Load sharp knives with the handles up to reduce the risk of cut-type injuries.
- The appliance satisfies all applicable safety regulations governing electrical equipment. Any technical checks should be conducted exclusively by trained and authorised technicians: **repairs performed by unauthorised persons not only**



**void the warranty but may also put the user's safety at risk.**

- In the event of a fault, disconnect the dishwasher from the electrical power supply and shut off the water tap. In the event of damage to the supply cord, have it replaced by the manufacturer or an authorised technical service centre.
- Some components are live even with the **on/off** button in the off position. Before performing any maintenance work on the appliance, disconnect it from the electrical power supply.
- Do not clean the machine with a water jet machine, high-pressure or steam cleaners.
- Do not introduce animals into the dishwasher.
- **Models with “acquastop” device**

This device prevents flooding in case of water leak. When the “acquastop” device is tripped, contact a qualified technician to identify and repair the fault. In these models the water intake hose contains a solenoid valve. **Do not cut the hose and do not allow the solenoid valve to drop into water.** In case of damage to the water intake hose, disconnect the appliance from the electrical and water supply.

**Warning: The device only works if the dishwasher is connected to the mains.**



## **1.1 Disposal**

The appliance does not contain substances in quantities sufficient to be considered hazardous to health and the environment, in accordance with current European directives:

To dispose of the appliance:

- Remove the washing compartment door.
- Cut the power cable,
- Make the lock unusable.

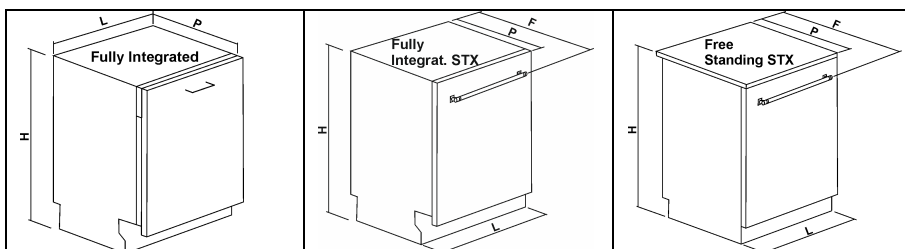
**The manufacturer declines any liability for damage or injury caused by failure to comply with the instructions indicated above or as a result of tampering with even just one part of the appliance and the use of non-original spare parts.**

## 2. INSTALLATION AND HOOK-UP

### 2.1 Technical characteristics

|   |  |
|---|--|
| <b>Water supply pressure</b>                | min. 0,05 - max. 0,9 MPa (min. 0.5 – max. 9 bar) |
| <b>Water supply temperature</b>             | max. 140°F – 60°C                                |
| <b>Capacity</b>                             | 12-13 standard place settings                    |
| <b>Class of protection against moisture</b> | IPX0   |
| <b>Protection against electric shock</b>    | class I  |
| <b>Electrical data</b>                      | see the data plate                               |

### Appliance dimensions



| Dimensions            | H                                    | L                                | P                   | F                   |
|-----------------------|--------------------------------------|----------------------------------|---------------------|---------------------|
| Fully integrated      | 32"-9/32-820 mm<br>35"-1/32-890 mm   | 23"-1/2-597 mm<br>23"-5/8-600 mm | 21"-21/32<br>550 mm | -----               |
| Fully Integrated maxi | 33"-27/32-860 mm<br>36"-5/8 - 930 mm | 23"-1/2-597 mm<br>23"-5/8-600 mm | 21"-21/32<br>550 mm | -----               |
| Fully Integrated STX  | 32"-9/32-820 mm<br>35"-1/32-890 mm   | 23"-1/2-597 mm<br>23"-5/8-600 mm | 22"-7/16<br>570 mm  | 24"-19/32<br>625 mm |
| Free Standing STX     | 33"-29/64<br>850 mm                  | 23"-5/8-600 mm                   | 23"-11/32<br>593 mm | 25"-19/32<br>650    |



## 2.2 General Information

- This appliance may be placed up against walls or other furniture units.
- If the appliance is installed near a heat source, fit a special insulating panel to prevent overheating and malfunction of the appliance.
- To facilitate the installation procedure, the intake and drain hoses can be positioned in any direction; make sure that the hoses are not kinked, crushed or pulled too tightly.
- A hole at least 8 cm (3" 5/32) in diameter is required to allow the power supply cable and hoses to pass.
- At the end of the installation, perform a short test of the appliance: open the water tap and check that there are no leaks.
- To install the dishwasher against the back wall, the hoses should be passed through the lower area where there is a dedicated space for them.



Level the appliance on the floor using the appropriate Allen key to regulate the adjustable feet. This operation is essential for ensuring correct operation of the dishwasher.



*Some models are equipped with only one adjustable foot at the rear, which can be adjusted by turning the screw on the lower front part of the appliance.*



Building-in a dishwasher underneath a hob is **absolutely forbidden**.

Moreover, dishwashers **may not** be installed directly touching appliances which are **not conventional** built-in kitchen appliances (e.g. fireplaces, stoves, etc.).

When installing the dishwasher in a compartment next to one or more other appliances, it is essential to comply with all the recommendations provided by the appliance's manufacturer (minimum distances, installation procedures, etc.).



### **For free-standing models only**

- Installing a hob on top of a free-standing dishwasher is **absolutely forbidden**.

- If the appliance is accessible from one side, the door hinge area has to be covered for safety reasons (risk of injury). The covers are available as an accessory and can be ordered through the Technical Assistance Service.

- The top surface of the dishwashers can be removed to allow installation under a worktop. The **appropriate kit** should be purchased from authorised dealers or via the Technical Assistance Service. This must be carried out by authorised personnel.

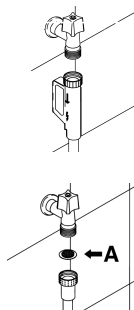


## 2.3 Water supply connection

### CONNECTING TO THE WATER SUPPLY

Connect the intake hose to a cold water supply with  $\frac{3}{4}$ " gas thread, inserting the filter **A** supplied with the dishwasher. **Take care to screw the hose firmly into place with your hands and then complete by tightening about  $\frac{1}{4}$  of a turn with pliers.**

**In dishwashers equipped with the AQUASTOP device, the filters is already fitted inside the threaded ring.**



The dishwasher can also be connected to a hot water supply **not exceeding 60°C (140°F)**. Supplying the appliance with hot water cuts down the washing time by approximately 20 minutes, but slightly reduces its effectiveness. Make the connection to the domestic hot water supply using the same procedure described for connecting to the cold water supply.

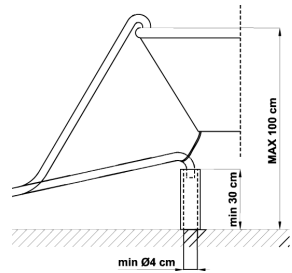


## DRAIN CONNECTION

Insert the dishwasher's drain hose into a drain pipe having a diameter of at least **4 cm (1" 37/64)**, or alternatively, place it inside the kitchen sink using the plastic support provided, taking care not to crush or excessively bend the hose. It is important to prevent the hose from coming loose and falling. For this purpose, the plastic support is equipped with a hole for tying it to the wall or water tap.

The free end should be positioned at a height of between **30 and 100 cm (11" 13/16 and 3' 3" 3/8)** , and should never be submerged in water.

If a horizontal drain extension hose is used (for a maximum 3 m - 9' 10" 7/64 ), the drain hose can be placed at a maximum height of **.85 cm (2' 9" 15/32)** from the ground.





## 2.4 *Electrical connection*



- Check that the voltage and the frequency of the mains match the ratings on the name plate of the appliance positioned on the inner edge of the door.
- This appliance must be grounded. In the event of a malfunction or breakdown, grounding will reduce the risk of electric shock by providing a path of least resistance for electric current. This appliance is equipped with a cord having an equipment-grounding conductor and a grounding plug. The plug must be plugged into an appropriate outlet that is installed and grounded in accordance with all local codes and ordinances.
  - **WARNING** – Improper connection of the equipment-grounding conductor can result in a risk of electric shock. Check with a qualified electrician or service representative if you are in doubt whether the appliance is properly grounded. Do not modify the plug provided with the appliance, if it will not fit the outlet, have a proper outlet installed by a qualified electrician.
- The plug must be accessible after installation.
- **Never disconnect the plug by pulling on the power supply lead.**
- After changing the supply cord, make sure that the bracket which secures the cord is fixed securely in place.



- **Do not use adaptors or shunt connections** in order to avoid the possibility of overheating or burning.



***The power cable must be replaced by the manufacturer or by an Authorized Service Centre.***





## 3. DESCRIPTION OF THE CONTROLS


### 3.1 Upper panel

All the dishwasher controls are grouped on the upper panel. Switch-on, programming, switch-off, etc. procedures are only possible when the door is open.



The panel shown is only a guideline example.

|          |  |
|----------|--|
| <b>1</b> | <b>ON/OFF BUTTON</b><br>Press this button to switch the dishwasher on/off.   |
| <b>2</b> | <b>SELECTED PROGRAM INDICATOR LIGHTS</b><br>Illumination of this light denotes the program selected and the occurrence of a fault (troubleshooting). |
| <b>3</b> | <b>PROGRAM SELECTION BUTTON</b><br>Press this button to select the required washing program.   |
| <b>4</b> | <b>SALT INDICATOR LIGHT</b><br>When lit, it indicates that the salt container is empty.  |
| <b>5</b> | <b>RINSE AID INDICATOR LIGHT</b><br>When lit, it indicates that the rinse aid dispenser is empty.  |
| <b>6</b> | <b>PROGRAM DELAY BUTTON</b><br>Press this button to delay the start of the program.  |
| <b>7</b> | <b>INFORMATION DISPLAY</b>   |
| <b>8</b> | <b>OPTIONS</b>   |
| <b>9</b> | <b>SANITATION INDICATOR LIGHT(Sanitized)</b><br>Shows that sanitation has been completed.  |

|             |   | Information displayed      |
|-------------|---|----------------------------|
| no          |  | Scheduled program duration |
| no          |   | Remaining program time     |
| 1 - 9 hours |   | Delayed start              |
| <b>E</b>    |   | Error message              |

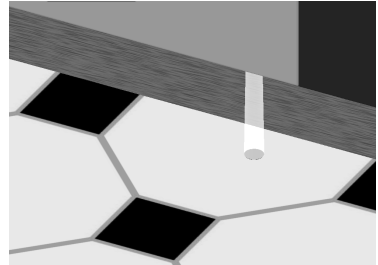
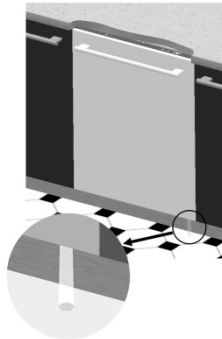
## SETTING THE WASHING PROGRAM AND SWITCHING ON

After identifying the most suitable program with the aid of the programs table:

- Press the **ON/OFF** button **(1)** and wait for the **PROGRAM INDICATOR LIGHT (2)** to illuminate;
- Keep pressing the **PROGRAM SELECTION** button **(3)** until the indicator light corresponding to the desired program illuminates;
- select the option required (if any and if the model provides options);
- close the door; after about **2"** the program will start **LIGHT** will flashing (indicating that the program is being executed).

### PROGRAM IN PROGRESS INDICATOR LIGHT (on some models only)

When a program is running, a flashing light is projected onto the floor under the right-hand corner of the door. At the end of the program, the light goes out to reduce sleep mode electricity consumption.



## Description of the programs:

The number, type and the sequence of wash programs depend on the model purchased. Refer to the instruction manual supplied together with the product.

### **SOAK**

Pans and dishes awaiting completion of the load

### **AUTO**

Normally soiled dishes including dried-on residues, for daily use.

### **DELICATE**

Wash cycle for mixed loads such as wine glasses and lightly soiled dishes.

### **CRYSTAL & CHINA**

Wash cycle for delicate items, such as wine glasses and lightly soiled fine china. Ideal when you require dazzlingly clean glassware

### **NORMAL**

Normally soiled dishes including dried-on residues, for daily use.

### **MIX**

Mixed dishes very dirty, including dried-on residues.

### **POTS & PANS ETL SANITATION LISTED**

Mixed dishes very dirty and pans dirty, including dried-on residues.

### **EXPRESS 27'**

Dishes with light dirt, washed immediately after use

### **DELICATE**

Wash cycle for mixed loads such as wine glasses and lightly soiled dishes.

### **ECO EXPRESS**

Quick wash cycle with low water and energy consumption. Suitable for normally soiled mixed loads, washed immediately after use.

### **HALF LOAD**

To wash just a few normally soiled dishes, washed immediately after use

### **EXPRESS 60'**

Quick wash cycle for normally soiled mixed loads such as dishes and pans, even with dried-on residues. Dishes are washed and dried in 60 minutes.

### **STERILIZE**

Intensive wash cycle ideal for plates, pots, pans, cutting boards, feeding bottles. Ideal for baby dishes or if there are allergy sufferers in the family in order to achieve a higher level of hygiene.



*If the dishwasher door is open or not properly closed, the washing cycle will not start.*

## AUTOMATIC DOOR OPENING – DRY ASSIST

The program ends with a drying cycle that consists of a time during which the door is closed, and a time during which the door is slightly open (just waiting, to assist drying). The duration depends on the program and model.


Any intervention (opening / closing the door, switching off etc.) during this stage will end the program early.

The program can be interrupted during the drying cycle and the dishwasher can unloaded before the cycle has completely ended, which is indicated by a visual and/or audible alarm (depending on the model), but best drying results may not be obtained.

**The complete program ends only when indicated by a visual and/or audible signal (depending on the model).**



**There must be sufficient space available for the door to open. The door must not be forced open and closed before the wash cycle has ended completely.**

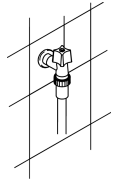
| Option |  | Description  |
|--------|--|--|
| 1      | <b>SPECIAL</b>  | Creates additional programs.   |
| 2      | <b>DRY ASSIST</b>  | Allows the dishes to be dried perfectly even at low rinse temperatures, with significant energy savings. It starts automatically if the selected program is compatible with it. If it is not required, press the button to disable it. |
| 3      | <b>EXTRA DRY</b>   | Modifies some of the parameters to ensure improved drying.   |
| 4      | <b>½ LOAD FLEXY ZONE</b>   | Ideal if just a few dishes need to be washed, allowing energy savings and a shorter wash cycle.  |
| 5      | <b>DELAY</b>   | Allows the wash cycles 1 or 3 to be delayed by up to 9, 12 or 24 hours depending on the models.  |
| 6      | <b>SELF CLEAN</b>  | Dishwasher cleaning cycle. Must be started with the machine empty, without dishes.   |

## 3.2 Washing programs



**Before starting a washing program make sure that:**

- The water supply tap is **open**.
- The softener **container** contains **regenerating salt**.
- The **correct amount of detergent** has been added to the **dispenser**.
- The baskets have been **correctly loaded**.
- The spray arms are able to **rotate freely** and without obstruction.
- The dishwasher door is **securely closed**.



### Warning:

during the initial phase of the washing program, the operation of sprayers is not perceived because they start rotating about 5 minutes after the start. This is the normal operation of the washing cycle.



## 3.3 Switching on

Press the on/off button to start the dishwasher. Then wait for one of the program indicator light to turn on.

### IMPORTANT

The door of the dishwasher must **ble closed within 4 seconds after use of the program selection button** for all functions (e.g. program selection, change, deletion, etc.). If the door is not closed within 4 seconds, **one or more program lights** (depending on the current operation) **will flash at high speed** to indicate that **the operation must be confirmed** before the door is closed.

To **confirm**, **simply press the program selection button once** and the flashes will slow down; close the door an once to start/restart the dishwasher.

The same applies if the dishwasher is opened **with the program delay option set and the cycle not started** (e.g. to add more dishes): **the program selection button must be pressed before the door is closed**, restarting the program delay countdown.

If the door of the dishwasher has not been closed or has been incorrectly closed, the washing cycle will not begin.

## OPTION SELECTION

Options are selected by pressing the relative button by the symbol of the option required; the light comes on to confirm that the option has been activated.

- **It is not possible** to select any options when the **soak program** is being used.
- All options are **disabled** at the end of the wash cycle.
- All options are disabled when a program is **CANCELLED** after it has begun.

## ½ LOAD FLEXI ZONE (if present)

Ideal if just a few dishes need to be washed, allowing energy savings. The dishes should be placed in both baskets and less detergent should be placed in the detergent dispenser compared to the amount used for a full load.

## EXTRA DRY (if present)

The option modifies the parameters to ensure improved drying. Suitable for loads that contain dishes that are difficult to dry such as pots, non-stick pans and plastic containers.

## Special (if present)

Allows you to enable additional programs when selected together with any wash cycle. After having selected the required wash cycle, press the button (the light turns on). It turns off automatically when the cycle has finished.

## Half Load (if present)

Ideal if just a few dishes need to be washed, allowing energy savings. The dishes should be placed in both baskets and less detergent should be placed in the detergent dispenser compared to the amount used for a full load.

## Dry Assist (if present)

It starts automatically if the selected program is compatible with the option. It can be disabled before starting the program.

The door opens automatically, allowing the dishes to be dried perfectly even at low rinse temperatures, and therefore resulting in significant energy savings. The first part of the drying cycle takes place with the door closed. The door then opens automatically by a few centimetres. Any intervention (opening / closing the door, switching off etc.) during the drying cycle (both when the door is closed or open) will end the program early.

The program can be interrupted during the drying cycle and the dishwasher can unloaded before the cycle has completely ended, which is indicated by a visual and/or audible alarm (depending on the model), but best drying results may not be obtained.

The complete program ends only when indicated by a visual and/or audible signal (depending on the model).



**There must be sufficient space available for the door to open. The door must not be forced open and closed before the wash cycle has ended completely.**



**Note:** some models are equipped with the dry assist function by default on one or more cycles (check the manual supplied with the product). These models are not fitted with a button to control this function. The door opens automatically at the end of the wash cycle(s).

## Delay (if present)

Allows you to program the dishwasher cycle to start during the required time period (e.g. night). Press the **DELAY** button to activate the option. A delay of **1 hour** is shown on the display. Pressing the button repeatedly will allow you to select the required delay of up to **9, 12 or 24 hours** depending on the model. To cancel the setting, press the button several times until no numbers appear on the display. **The option cannot be selected once the cycle is running.** After the door has been closed, the dishwasher will carry out a pre-wash cycle, after which the set "cycle delay" option will be activated.

## SELF CLEAN (if present)

Dishwasher cleaning cycle. The cycle should be started with the machine empty, without dishes. It is recommended to run the program every 2-3 months, using special dishwasher detergents. The light flashes during operation. At the end of the cycle it remains on and cycle lights **4 and 5** flash.

The display (if available) shows "End".



## CANCELLING THE CURRENT PROGRAM

- To cancel the currently selected program open the door and hold down the **PROGRAM SELECTION (3)** button for a few seconds until the **indicator lights** for programs **4 and 5** illuminate simultaneously (marked "end").



- Close the door.
- After approximately 1 minute the dishwasher will advance to the end of cycle.

## CHANGING THE PROGRAM

To change the program in progress, simply open the door and select a new program. When the door is closed the dishwasher will automatically select the new program.





## **TO SAVE ON ENERGY! ... AND PROTECT THE ENVIRONMENT**

- Always use the dishwasher **with a full load**.
- Do not wash the dishes in running water.
- Use the washing program that is **most appropriate** for each type of load.
- Do not carry out any preliminary rinsing.
- If available, connect the dishwasher to a hot water supply up to 60°C.



## **TO CUT DOWN ON DETERGENT CONSUMPTION! ... AND PROTECT THE ENVIRONMENT**

The phosphates contained in dishwasher detergents are harmful to the environment. To avoid using excessive amounts of detergent and to save on electricity, observe the following:

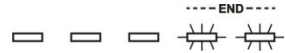
- **separate** the more delicate items from dishes that are more resistant to aggressive detergents and high temperatures;
- **do not** pour the detergent directly on the dishes.



If the door has to be opened while washing is in progress, the program will be interrupted. The relative light will keep flashing and a beeper will signal that the cycle has not been completed. You must wait about **1 minute** before closing the door to restart the program. When the door is closed the program will continue from where it was interrupted. This operation should **only be carried out if strictly necessary**, because it might cause problems in execution of the program.

## SWITCHING OFF

At the end of the program the beeper sounds briefly and the lights of programs no. **4** and **5** (marked "end") flash.



To switch off the dishwasher, open the door and press the **ON/OFF** button (1).



## ENERGY MANAGEMENT

After **5 minutes of waiting** (washing cycle completed, stopped or set but not started) the dishwasher switches to a **standby** state to reduce energy consumption.

In this state, the dishwasher indicator panel (lights or display depending on model) functions more slowly (**switch-on once every 5 seconds**).

## REMOVING THE DISHES

At the end of the washing program, wait at least **20 minutes** before removing the dishes, to allow them to cool. To ensure that any drops of water left in the top basket cannot drip onto the dishes still in the bottom basket, you are advised always to **empty the bottom basket first**.

## 4. OPERATING INSTRUCTIONS

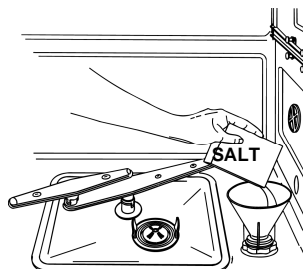
Once the dishwasher has been correctly installed, prepare for use as follows:

- Adjust the water softening system;
- Add the regenerating salt;
- Add the rinse aid and detergent.

### 4.1 Using the water softening system



The amount of scale contained in the water (water hardness index) can cause whitish staining on the dry dishes, which tend to become dull over time. The dishwasher is equipped with an automatic softening system which uses a special regenerating salt to reduce the hardness of the water.



When using water of medium hardness, the regenerating salt container should be refilled after approximately **20 washing cycles**. The salt container can hold approximately **1 Kg** of salt in grains. Some models are equipped with an optical no-salt indicator. In these models, the cap of the salt container contains a green float which descends as the salt concentration in the water drops. When the green float can no longer be seen through the transparent cap, the container must be topped up with regenerating salt. The container is situated at the bottom of the dishwasher. After removing the lower basket, unscrew the salt container cap by turning it anticlockwise and pour in the salt using the funnel supplied with the dishwasher. Before replacing the cap, remove any salt residues from around the opening.



- *When using the dishwasher for the first time, in addition to the salt it is also necessary to add **one litre of water** to the container.*
- *Each time the salt container is refilled, make sure that **the cap is securely closed**. The mixture of water and detergent must never penetrate the salt container, as this would compromise the operation of the regeneration system. In the event of this occurring, the warranty will be invalidated.*
- ***Only** use regenerating salt specially formulated for domestic dishwashers. If using salt tablets, **do not fill the container completely**.*



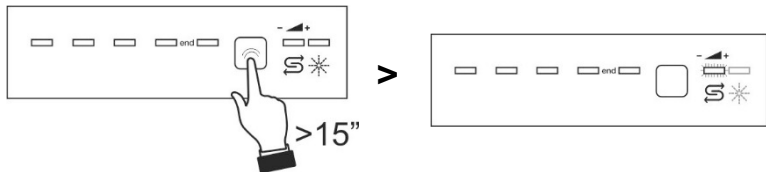
- **Do not use table salt** as it contains insoluble substances which, over time, may damage the water softening system.
- When necessary, refill the regenerating salt container **before starting the washing program**. In this way, the excess saline solution will be immediately removed by the water; the prolonged presence of salt water inside the tank may lead to **corrosion**.



**Be careful not to confuse the salt and detergent packages;** adding detergent to the salt container will **damage** the water softening system.




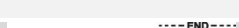


## ADJUSTING THE WATER SOFTENER

The setting can be adjusted using the **PROGRAM SELECTION BUTTON (3)**. Keep the button pressed until the **WATER HARDNESS ADJUSTMENT INDICATOR LIGHT (4)** flashes. The **SELECTED PROGRAM INDICATOR LIGHTS (2)** indicate the current setting. Each press of the button modifies the setting according to the sequence in the following table:



After carrying out the adjustment or displaying the current setting, if you do not touch the button for a few seconds the dishwasher will automatically exit from adjustment mode and return to the standard operating mode.

## WATER HARDNESS TABLE

| WATER HARDNESS       |                      | SETTINGS  |                             |  |
|----------------------|----------------------|-----------|-----------------------------|--|
| German degrees (°dH) | French degrees (°dH) |           |                             |  |
| 0 – 6                | 0 – 11               | <b>H0</b> | All lights off<br>(no salt) |  ----END---- |
| 7 – 10               | 12 – 18              | <b>H1</b> | One light on                |  ----END---- |
| 11 – 15              | 19 – 27              | <b>H2</b> | Two lights on               |  ----END---- |
| 16 – 21              | 28 – 37              | <b>H3</b> | Three lights on             |  ----END---- |
| 22 – 28              | 38 – 50              | <b>H4</b> | Four lights on              |  ----END---- |
| 29 - 50              | 51 – 90              | <b>H5</b> | Five lights on              |  ----END---- |

Contact your local water board for information on the hardness of your water supply.

Default settings: **H3 - 16-21°dH – 28-37°dF**

*In order for the water softening system to give fault-free service, the appliance performs a regeneration cycle of the system at regular intervals.*

*The regeneration process consists of several stages. It starts at the end of the last rinse cycle, after the amount of water indicated in the mains water hardness setting has been reached during the wash cycle, and finishes at the beginning of the following wash cycle.*

*The regeneration process increases the cycle time and consumption of water and electricity.*

*Below is an overview of consumption of regeneration the softening system using the Eco program with a water hardness setting of H2.*

| Water consumption according to model [refer to the programs table] (litres) | Regeneration frequency (number of cycles) | Water consumption during regeneration (litres) |  | Energy consumption during regeneration (Wh) |  | Duration of the regeneration process (min) |  |
|---|---|--|--|---|--|--|--|
|   |   | At the end of the last rinse                   | At the beginning of the following wash cycle | At the end of the last rinse                | At the beginning of the following wash cycle | At the end of the last rinse               | At the beginning of the following wash cycle |
| 7   | 8   |  | 4  |   |  |  |  |
| 8,5-9-9,5   | 6   | 0,2  | (10x0,4 litri)                               | 0,3   | 1,2  | 6  | 4  |
| 10,5-12   | 5   |  |  |   |  |  |  |



- *Each time the salt container is refilled, make sure that **the cap is securely closed**. The mixture of water and detergent must never penetrate the salt container, as this would compromise the operation of the regeneration system. In this case warranty cover will be forfeited.*
- ***Only use regeneration salt specifically for domestic dishwashers. Do not use table salt**, since it contains insoluble substances that could damage the water softener system.*
- *After having added salt, run a wash cycle to remove any excess salt. In this way, the excess saline solution will be immediately removed by the water; the prolonged presence of salt water inside the tank may lead to **corrosion**.*

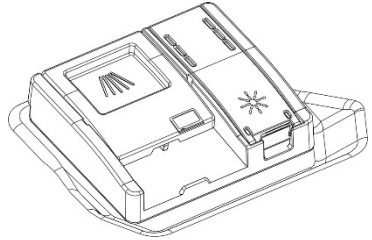


**Be careful not to confuse the salt and detergent packages;** adding detergent to the salt container will **damage** the water softening system.

## 4.2 Adding the rinse aid



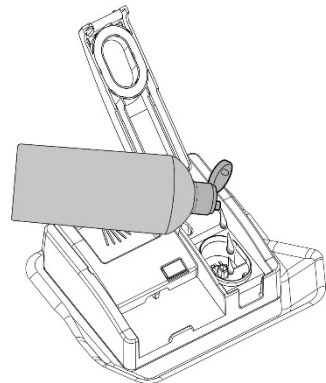
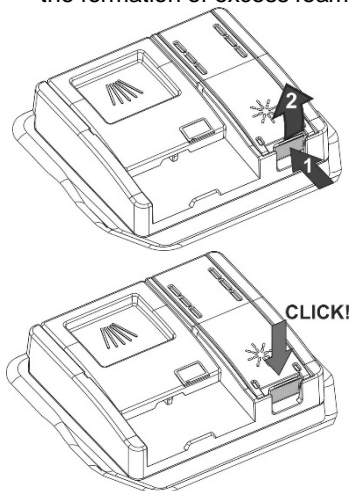
The detergent and rinse aid dispensers are situated on the inner part of the door: the **detergent dispenser** is on the left, and the **rinse aid dispenser** is on the right.



The rinse aid helps the dishes dry faster and prevents the formation of scale deposits and staining; it is automatically added to the water during the final rinse cycle, from the container situated on the inner side of the door.

To add rinse aid:

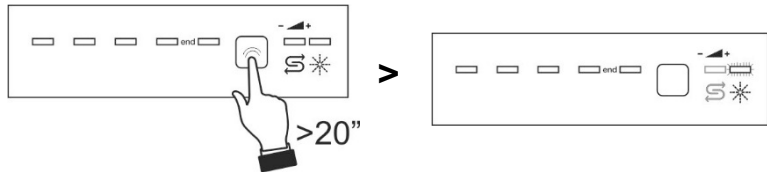
- Open the dispenser by pressing and lifting the tab on the cover.
- Top up again when the rinse aid indicator light turns on.
- Close the cover, a click indicates when it is closed.
- Use a cloth to remove any spillage of rinse aid which might lead to the formation of excess foam.



## ADJUSTING THE RINSE AID DISPENSER MODE

Press and hold the **PROGRAM SELECTION (3)** button, after approximately **15 seconds** the salt light flashes, keep it pressed until the **rinse aid light (5) flashes** and the **program indicator lights (2)** indicate the current setting.

Then press the **PROGRAM SELECTION (3)** button several times to select the required dosage according to the following table:



After carrying out the adjustment or displaying the current setting, if you do not touch the button for a few seconds the dishwasher will automatically exit from adjustment mode and return to the standard operating mode.

| RINSE AID ADJUSTMENT TABLE |           |                           |  |
|----------------------------|-----------|---------------------------|--|
| 0 – not dispensed          | <b>b0</b> | All indicator lights off  |  |
| Minimum. 2 ml              | <b>b1</b> | One indicator light on    |  |
| 3 ml                       | <b>b2</b> | Two indicator lights on   |  |
| 4 ml                       | <b>b3</b> | Three indicator lights on |  |
| 5 ml                       | <b>b4</b> | Four indicator lights on  |  |
| Maximum. 6 ml              | <b>b5</b> | Five indicator lights on  |  |

Default settings: **b4 - 5 ml**

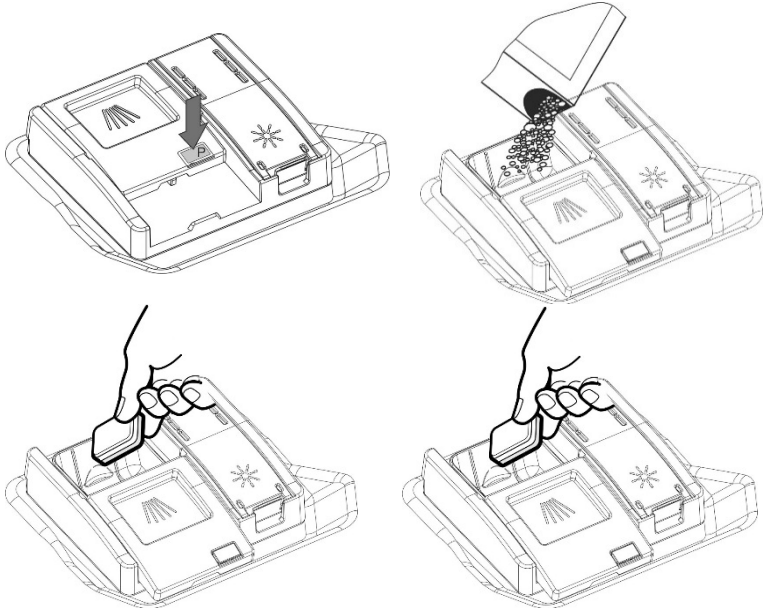


- The amount of rinse aid must be **increased** if the washed dishes appear dull or feature circular stains.
- If, on the other hand, the dishes are sticky or have white streaks, it is necessary to **reduce** the rinse aid setting.



## 4.3 Adding the detergent

- Open the detergent dispenser cover by lightly pressing the button **P**.
  - Add the detergent or tablet.
  - Close the cover by sliding it until it stops, indicated by a click.
- The dispenser will open automatically during the wash cycle.  
Only add the detergent or tablet if the dispenser is dry.



With the exception of the **SOAK** program, before every washing cycle it is necessary to add the required amount of detergent to the **detergent dispenser**. The rinse aid, on the other hand, should only be added as required.



With the exception of the **SOAK** program, before every washing cycle it is necessary to add the required amount of detergent to the **detergent dispenser**. The rinse aid, on the other hand, should only be added as required.



- When a program with a hot pre-wash is selected (see program table), extra detergent must be placed in the cavity.
- Use **only** detergents specially formulated for dishwashers.
- The detergent packs must be sealed and stored in a dry place to prevent the formation of lumps which may negatively affect washing results. Once opened the detergent packs should not be kept for too long, otherwise the detergent loses its effectiveness.
- Do not use detergents for washing dishes by hand because they may affect the operation of the dishwasher.
- Add the correct amount of detergent. An insufficient amount of detergent will result in a partial removal of dirt from the dishes, whereas an excessive amount is wasteful and does not improve the washing results.

For the safeguarding of the environment we recommend the use of **phosphate- and chlorine free** detergents.



**The introduction of detergent into the rinse aid dispenser, even in liquid form, will damage the dishwasher.**

## 4.4 General warnings and recommendations



Before using the dishwasher for the first time, it is advisable to read the following recommendations concerning dish types to be washed and their loading.

There are generally no constraints on the washing of domestic dishes, but in certain cases it is necessary to take their characteristics into account.

Before loading the dishes into the baskets it is necessary to:

- remove coarse food remains: e.g. bones, fish-bones, etc. which may clog the filter or damage the wash pump.
- soak any pots or pans with burnt-on food remains on the bottom to facilitate removal, then load them into the **lower** basket.

There is no need to pre-wash the dishes under running water before loading them into the baskets since this only wastes water.

**Correct loading of the dishes helps ensure optimal washing results.**



## **WARNING!**

- *Make sure that the dishes are securely in place so that they cannot tip over or obstruct the rotation of the spray arms during the washing cycle.*
- *Do not place very small objects in the baskets as these could fall and obstruct the spray arms or the wash pump.*
- *Containers such as cups, bowls, glasses and pots should always be loaded with the opening facing downwards and with any cavities at an angle, to allow the water to drain out.*
- *Do not stack dishes or place them in such a way that they cover one other.*
- *Do not place glasses too close together because they may knock against each other and break, or there might be staining at the point where they touch.*

**MAKE SURE that the items being washed are dishwasher-safe.**

### **Items which are not dishwasher-safe:**

- **Wooden dishes, pots or pans:** *these may be damaged by the high washing temperatures.*
- **Handcrafted items:** *these are rarely suitable for washing in a dishwasher. The relatively high water temperatures and the detergents used may damage them.*
- **Plastic dishes:** *heat resistant plastic dishes must be washed in the upper basket.*
- **Dishes and objects in copper, tin, zinc or brass:** *these tend to stain.*
- **Aluminium dishes:** *items made of anodised aluminium may lose their colour.*
- **Silverware:** *silver items may stain.*
- **Glass and crystal:** *in general, glass and crystal objects can be washed in the dishwasher. However, certain types of glass and crystal may become dull and lose their clearness after many washings. Therefore, for these items we recommend using the least aggressive program available.*
- **Decorated items:** *the decorated objects available on the market are generally able to withstand washing in the dishwasher, although the colours may fade after many washes. If in doubt as to the fastness of the colours, it is advisable to wash just a few items at a time for approximately one month.*

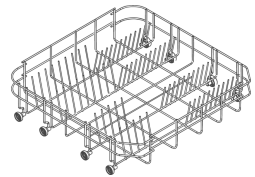
## 4.5 Using the baskets

Capacity, including serving dishes: **12 or 13 place settings depending on model** (see energy label).

### LOWER BASKET

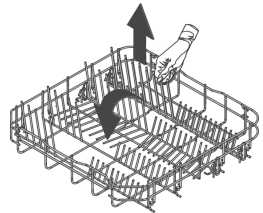
The lower basket receives the full force of the lower spray arm, and should therefore be used for the “toughest” items with a heavier degree of soiling.

All types and combinations of loads are permitted, provided that the dishes, pots and pans are arranged with all the soiled surfaces exposed to the water jets coming from the bottom.



#### With fixed supports

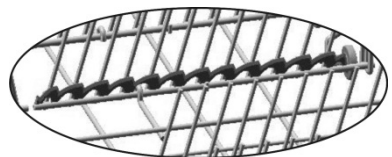
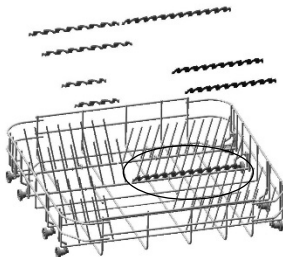
To make the most of the space inside the basket when loading large items, certain models are equipped with tip-up supports for plates in 2 or 4 sections.



#### With tip-up supports

### BOTTOM BASKET INSERTS

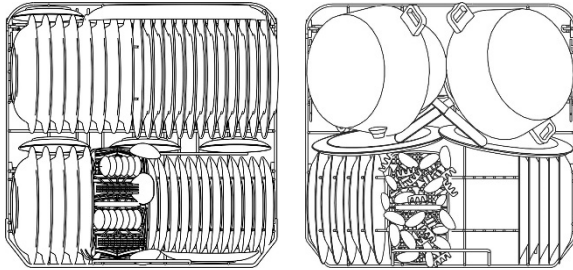
Some models are equipped with bottom basket inserts which improve the drying of dishes. The inserts are supplied in the accessories bag; to use them, simply fit them into place as shown. The inserts are supplied in the accessories bag; to use them, simply fit them into place as shown.



## LOADING THE LOWER BASKET

Carefully load flat plates, soup plates, dessert and serving dishes, positioning them vertically. Pots, pans and their covers must be loaded upside down. When loading soup plates and dessert bowls, be sure to leave a gap between them.

### Loading examples:



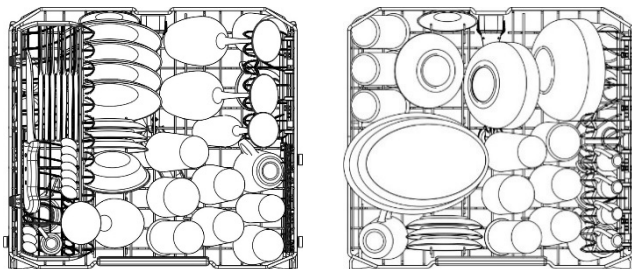
## UPPER BASKET

The upper basket should be loaded with small or medium-sized items such as glasses, small plates and saucers, tea or coffee cups, shallow bowls and light objects. If the upper basket is used in the lowermost position, it can also be loaded with serving dishes, provided they are only lightly soiled.

## LOADING THE UPPER BASKET

Load plates facing forward; cups, bowls etc. must always be facing downwards. The left side of the basket can be loaded with cups and glasses on two levels. In the centre section, plates and saucers can be loaded vertically into the supports provided.

### Loading examples:

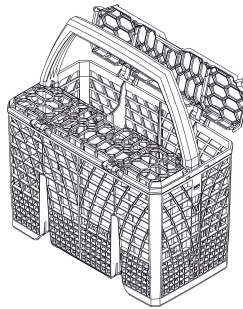


## CUTLERY BASKET (on some models only)

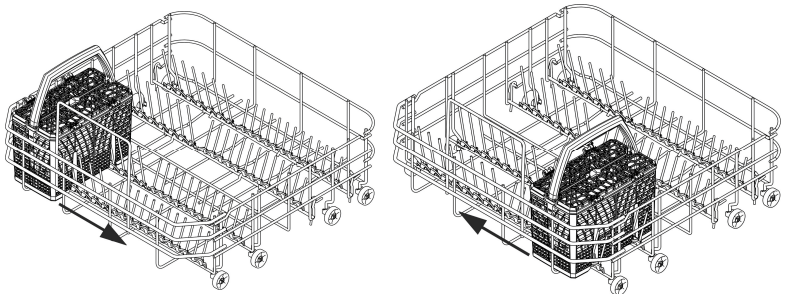
The basket is suitable for all types of cutlery, except long items that may **interfere** with the upper spray arm. The cutlery should be arranged in the spaces in the upper racks to allow the water to pass effectively between the items.

**Forks and spoons** should be positioned with the **handle facing downwards**, taking care not to injure yourself with the prongs of the forks. **Knives** should be placed in the tray on the upper rack or in the cutlery drawer, if present (depending on the model), otherwise position them with the **handles facing upwards**.

Ladles, wooden spoons and kitchen knives can be placed on the upper rack, **making sure that the blades of the knives do not protrude from the basket**. The upper racks can be opened in order to insert, for example, small items.



The cutlery basket slides across the dishwasher and can be **placed in any position** to allow optimal use of the space in the bottom basket.

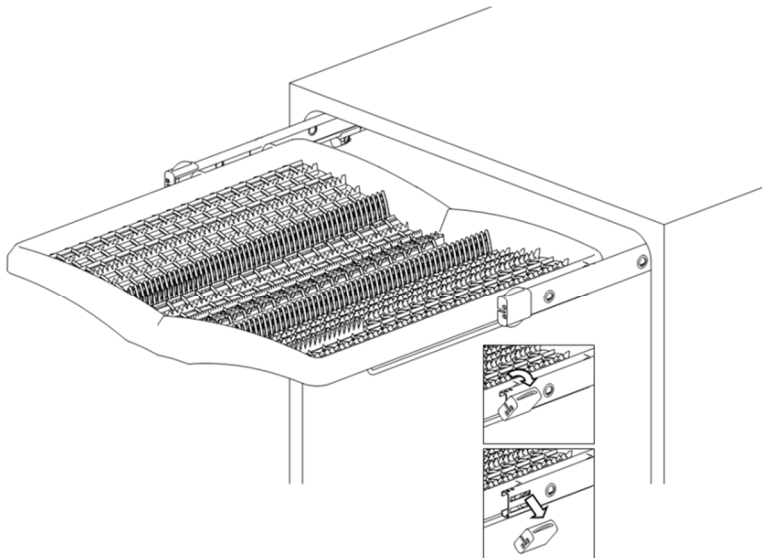


## **TOP CUTLERY BASKET (on some models only)**

The basket is designed to take cutlery, placed in the spaces provided, and long utensils, positioned lengthwise.

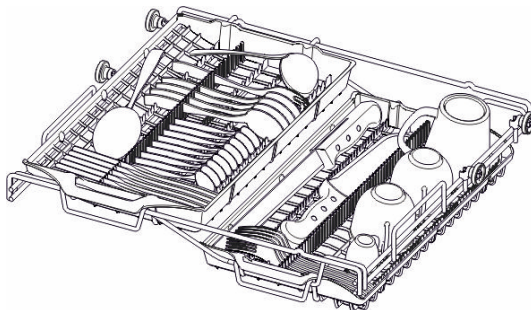
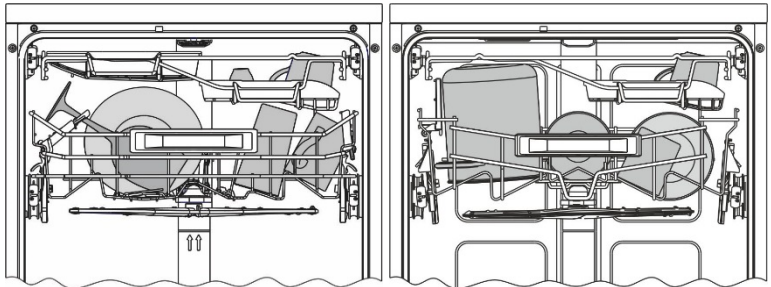
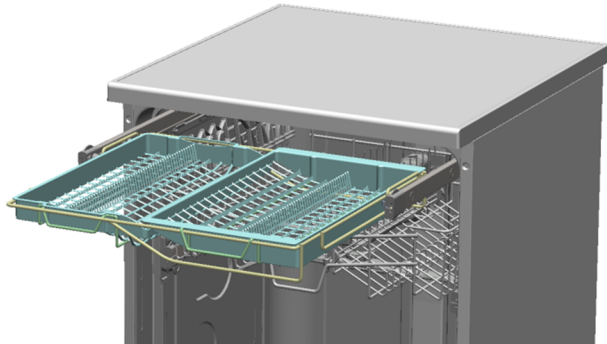
The “drawer” extraction system makes the basket easier to load, but it can also be taken completely off its runners by removing the retainers (as shown here).

Take great care to replace the retainers to ensure that the basket does not come off the runners accidentally.



## **FLEXIDUO TOP CUTLERY BASKET (on some models only)**

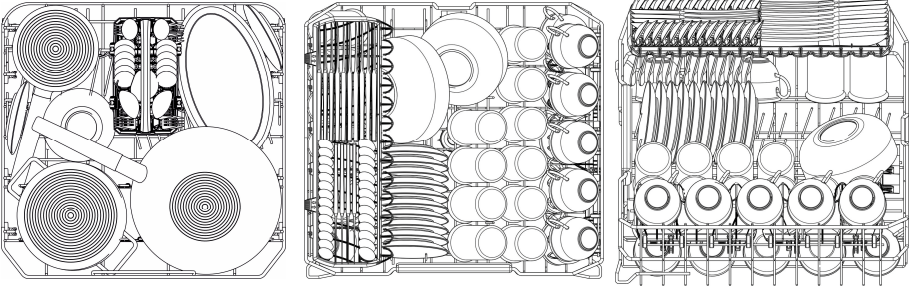
This comprises **two independent** sliding, pull-out tray racks for easier loading/unloading of cutlery. Various loading systems and configurations are possible. For example, **tea cups** can be loaded with the **right-hand** rack set in the **low position**, while the left-hand rack or both can be removed to allow **large dishes** to be put in the **top basket**.





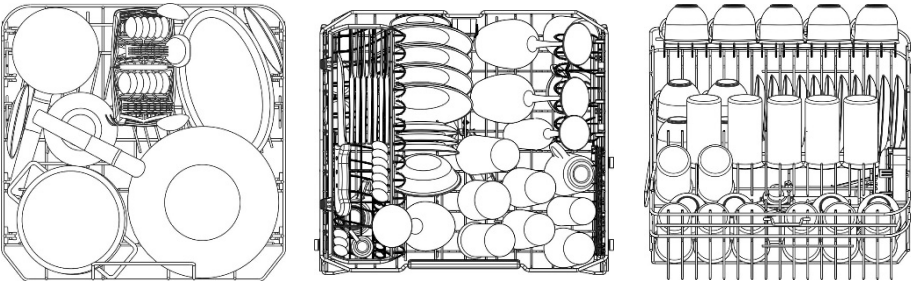
## EXAMPLES OF LOADING FOR INTENSIVE DIRT

### 12 standard place setting



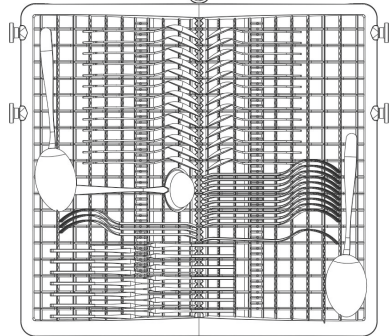
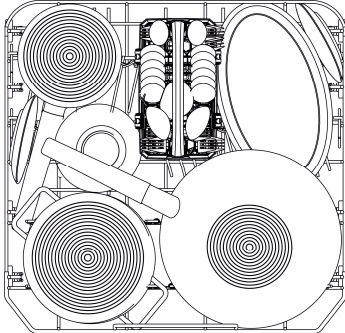
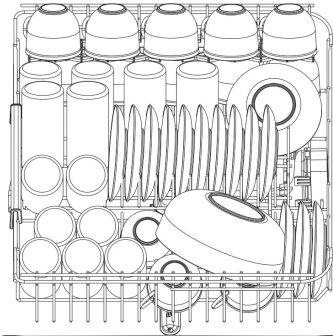
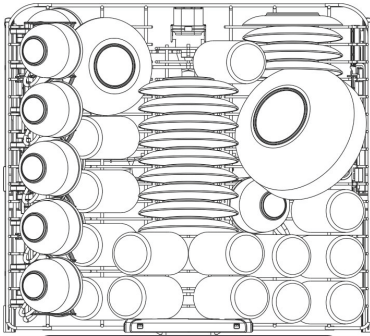
If the bottom basket inserts are of the fold-down type, they should be laid flat for easier loading.

### 13 standard place setting



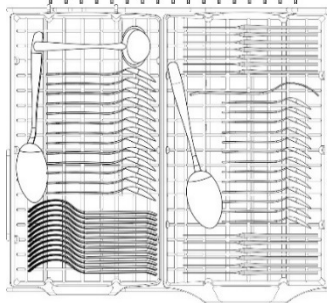
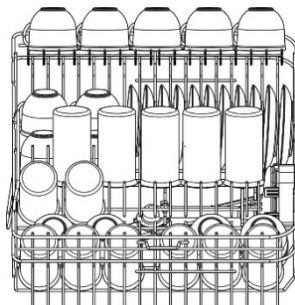
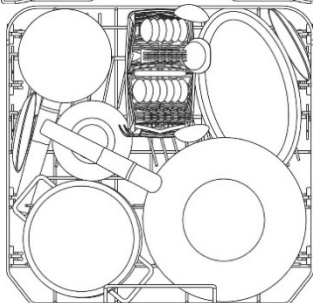
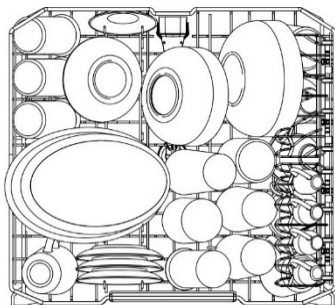
If the bottom basket inserts are of the fold-down type, they should be laid flat for easier loading.

## 13 standard place setting TOP CUTLERY BASKET (on some models only)



**If the bottom basket inserts are of the fold-down type,  
they should be laid flat for easier loading.**

**13 standard place setting  
FLEXIDUO TOP CUTLERY BASKET (on some models only)**



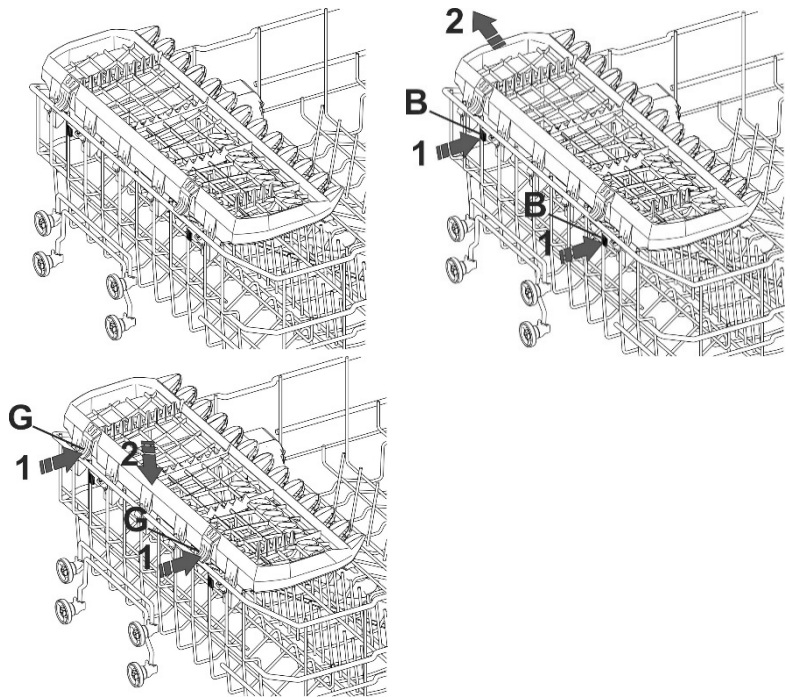
**If the bottom basket inserts are of the fold-down type,  
they should be laid flat for easier loading.**

## UPPER BASKET EQUIPMENT (depending on the model)

### Cutlery tray

For knives, spoons (tea and dessert) and long objects. The ends are designed to hold long stemmed glasses.

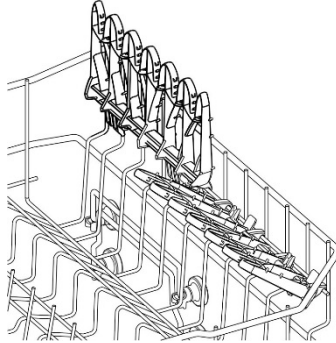
- It can be removed by pressing and pushing the release levers **(B)** at the same time.
- It has to be lowered if the upper basket is in the topmost position. Press the catches **(G)** simultaneously.



## Fold-down shelves

For mugs, cups and long objects. The ends are designed to hold long stemmed glasses

When not used they can be moved to a vertical position (until a click is heard).

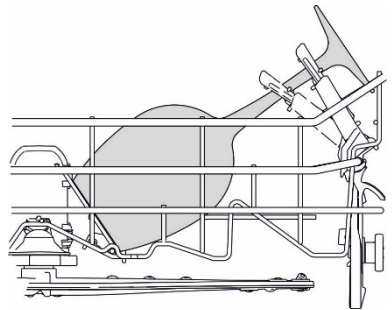
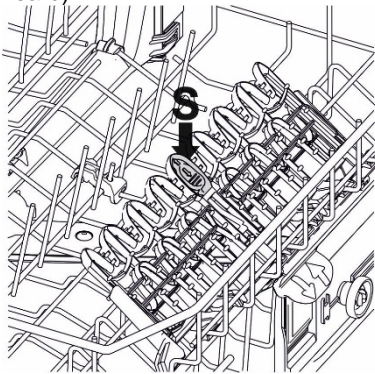


## Shelves with expandable wings

For small objects, mugs and cups.

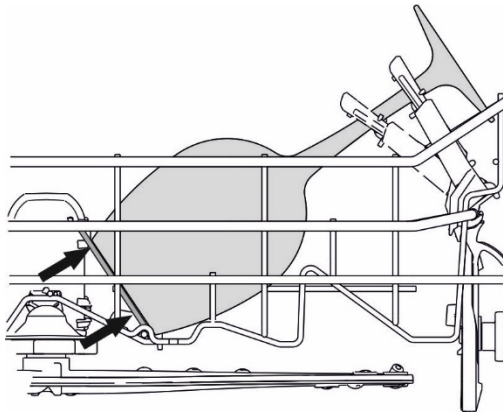
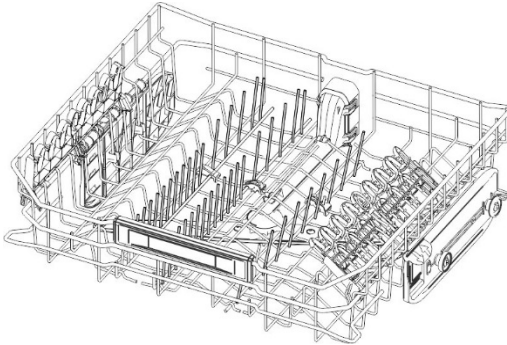
They can be used either closed or open (pull the upper, sliding part). To close them, press the release device (S) and slide them downwards.

The ends are designed to hold long stemmed glasses (even when closed). When not used they can be moved to a vertical position (until a click is heard).



## Fold-down tines

These can be secured in a vertical position, resting on the bottom of the basket if unused, or placed in an intermediate position, as required. The single tine on the right is ideal for supporting long stemmed glasses.



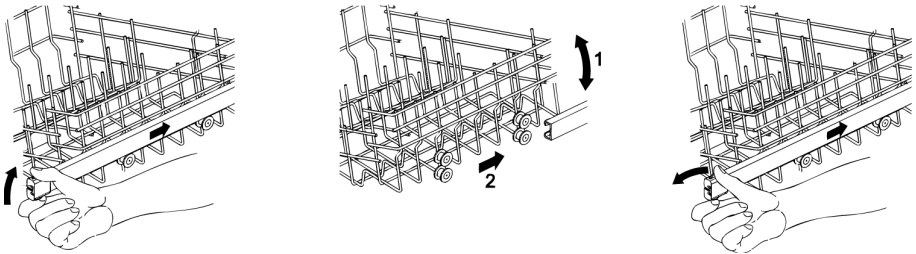
## ADJUSTING THE UPPER BASKET

The height of the top basket can be adjusted to allow large dishes or pans to be placed in the bottom basket. The adjustment procedure may be type **A** or **B**, depending on the dishwasher model purchased.

### Version A: pull-out with adjustment in two positions.

- Pull out both the basket guides.
- Remove the stops, first releasing them as shown in the diagram.
- Pull out the basket.
- Fit the upper or lower pair of wheels into the guide, depending on the setting required;
- Return the stops to their original position.

The left hand and right hand sides of the basket **must always be set at the same height**.

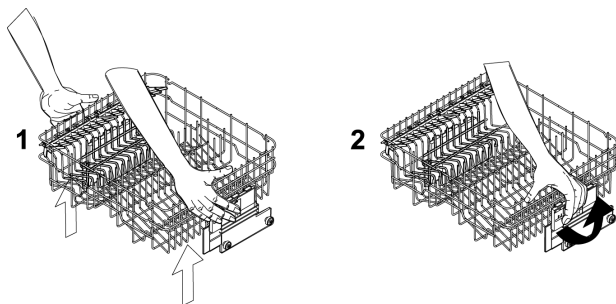


### Version B: with adjustment in three positions on both sides.

The sides of the basket **must always be set at the same height**.

- Raise the basket by pulling on the top edge **(1)**, to the first or second catch depending on the height required.
- To lower the basket, first release it by pulling the release lever **(2)**.

Adjustment is also possible with the basket loaded, but in this case when lowering the basket it should be held steady with one hand to avoid knocking the dishes.



## 5. CLEANING AND MAINTENANCE



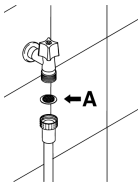
**Before carrying out any work, always unplug the appliance from the electrical supply or switch off the omnipolar circuit breaker.**

### 5.1 General warnings and recommendations

#### Avoid the use of acidic or abrasive detergents.

Clean the outer surfaces and door-lining of the dishwasher regularly using a soft cloth moistened with water or with a normal detergent suitable for painted surfaces. Clean the door gaskets with a damp sponge. Periodically (once or twice a year) it is advisable to clean the tank gaskets using a soft cloth and water to remove any deposits.

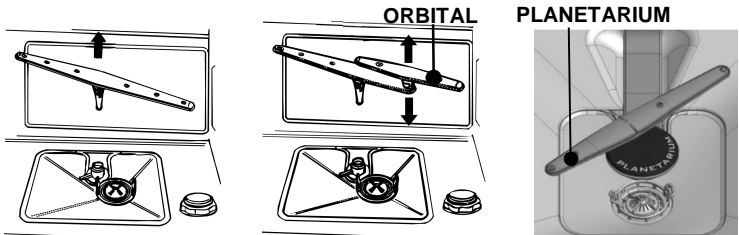
If the dishwasher is used every day, we recommend cleaning the chamber and the water circuit monthly using a product that is specific for domestic dishwashers.



#### CLEANING THE WATER INTAKE FILTER

The water intake filter **A** located at the outlet of the water supply tap needs to be cleaned periodically. After having closed the water supply tap, unscrew the end of the water intake hose, remove the filter **A** and clean it delicately under running water. Reassemble filter **A** in its seat and carefully screw the water intake hose back into position. We recommend that you check and clean it, if necessary, at least once a year.

- To remove the **lower** spray arm, simply lift it up, pulling by the central part.
- To remove the **orbital** spray arm assembly, take hold of the longer arm and pull the orbital unit upward. Wash the arms under a jet of running water and return them carefully to their seat. **After reassembly, check that the spray arms turn freely.** Otherwise, check that they have been installed correctly.
- To remove and clean the **planetarium** sprayer follow the instructions provided.

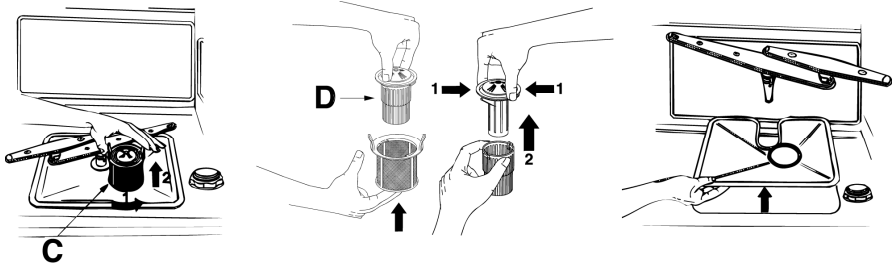




## CLEANING THE FILTER UNIT

If the dishwasher is used every day, we recommend that you clean it once a week.

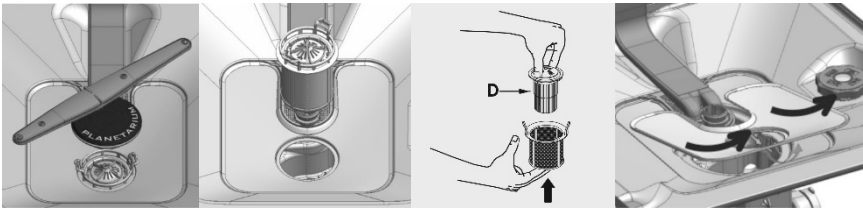
- It is advisable to periodically inspect the centre filter **C** and, if necessary, to clean it. To remove the filter, grip the tabs, turn them anticlockwise and lift upwards;
- push the centre filter **D** from the underside to remove it from the micro-filter;
- separate the two parts which make up the plastic filter by pressing the body of the filter in the zone shown by the arrows;
- remove the centre filter by lifting it upwards.



## CLEANING THE FILTER UNIT (models with planetarium sprayer)

If the dishwasher is used every day, we recommend that you clean it once a week.

- It is advisable to periodically inspect the centre filter and, if necessary, to clean it.
- remove the planetarium sprayer follow the instructions provided.
- push the centre filter **D** from the underside to remove it from the micro-filter:
- separate the two parts which make up the plastic filter by pressing the body of the filter in the zone shown by the arrows;
- remove the centre filter by lifting it upwards.



## GENERAL WARNINGS AND RECOMMENDATIONS FOR CORRECT MAINTENANCE:

- The filters should be cleaned **under running water** using a stiff brush.
- **When removing the filter**, take care that there are no food residues on it. If any residues fall into the washing pit they might block hydraulic components, or foul the spray arm nozzles.
- It is essential to **thoroughly clean the filters** according to the above instructions: the dishwasher cannot function if the filters are clogged.
- **Carefully replace** the filters in their seats, to avoid damaging the wash pump.

## 6. TROUBLESHOOTING. WHAT TO DO IF...

| <b>Fault</b>   | <b>Possible cause</b>  | <b>Solution</b>   |
|--|--|---|
| The salt light does not turn on                          | There is still enough salt   | Check the fill level  |
| The rinse aid light does not turn on                     | There is still enough rinse aid  | Check the fill level  |
| Water collects at the bottom of the dishwasher           | The water inlet hose is kinked or crushed  | Check the route of the hose   |
|  | The drain siphon is clogged  | Make sure that the siphon is not clogged or partially clogged   |
|  | The filter unit is clogged   | Clean the filters as indicated in the manual  |
| Cutlery not dry  | Water in the bowls of spoons or ladles   | Cutlery (e.g. serving spoons) in the cutlery drawer (if present), on the bottom of the basket or on the fold down shelves at the side must be arranged with their bowls facing downwards. |
| Tea or lipstick residues on the dishes                   | Wash temperature too low   | Check the fill level  |
|  | Detergent insufficient or unsuitable   | Check the fill level  |
|  | Cutlery arranged incorrectly in the cutlery basket   | Do not place items of cutlery on top of one another or allow them to touch one another  |
| The inside of the dishwasher is wet                      | Condensation   | The appliance is not faulty, it is normal for there to be condensation on the inside walls  |
| Change in colour of the plastic parts inside the chamber | The colour of plastic parts inside the dishwasher can fade with use  | This is normal and does not affect the effectiveness of the dishwasher  |
| The salt and/or rinse aid light is on                    | No salt  | Add salt  |
|  | No rinse aid   | Add rinse aid   |
| Detergent residues or dishes not perfectly clean         | Dishes are preventing the cover of the detergent dispenser from opening completely                         | The dishes should not protrude from the basket  |
|  | The detergent dispenser cover is blocked by the tablet   | The tablet should be inserted transversely, not vertically  |
|  | Tablets used in a short program; the detergent does not have time to dissolve                              | Use a powder detergent or a more intensive program  |
|  | Detergent stored in an open box in a damp environment. It has lost its effectiveness, aged or become lumpy | Replace detergent   |
|  | Dishes arranged incorrectly  | Water cannot pass correctly if the dishes are arranged incorrectly. Take greater care when arranging the dishes.  |
| Traces of rust on cutlery                                | Cutlery not oxidation resistant. Knife blades are particularly subject to this.                            | Use only stainless cutlery.   |

Cutlery becomes oxidized even if washed together with other items that are subject to oxidation (pot handles, damaged knives, etc.)

Avoid washing parts that can become oxidized

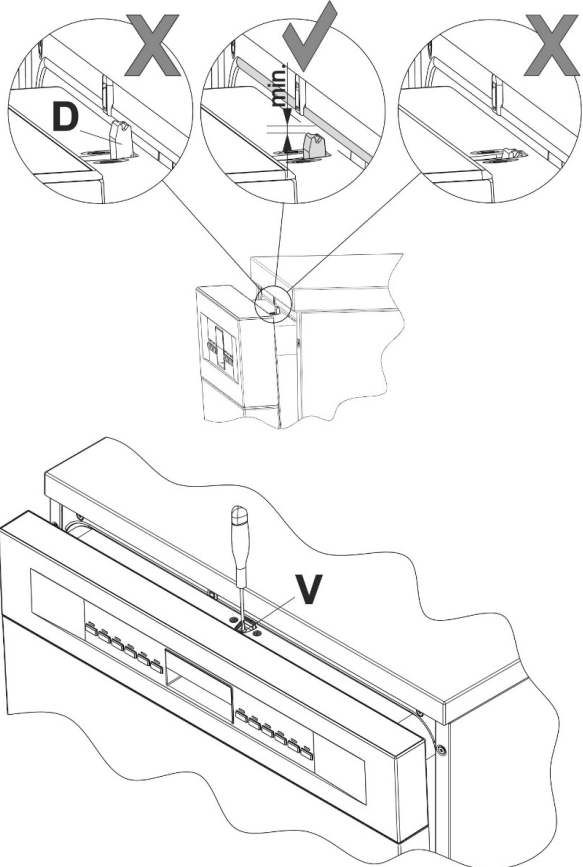
Too much salt in the washing water

Tighten the cap of the water softener container properly

The dishwasher does not start

The door does not close

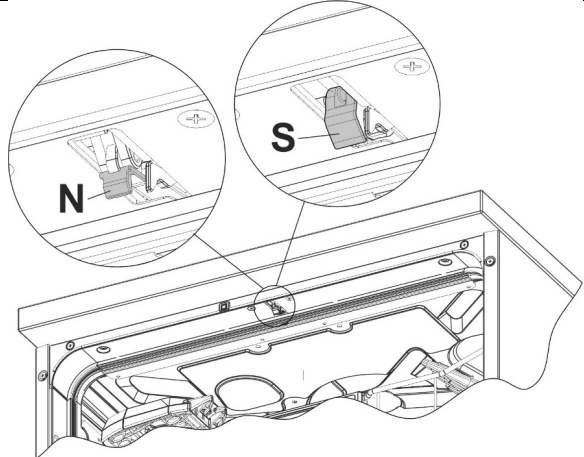
Check the position of the door lock catch **(D)**. If necessary, raise it by adjusting the plastic screw **(V)** next to the catch



The door does not close

Check the condition of the door lock catch:

- if it has not triggered (N), the door opens and closes normally
- if it has triggered (S), close the door with force (without slamming it) until it rearms; then open and close the door again



|   |  |
|---|--|
| Door does not close properly                  | Make sure that there are no obstacles that prevent it from closing (e.g. objects protruding from the baskets)              |
| Failure                                       | Contact technical assistance   |
| No power                                      | Check the power supply.<br>Check the power cable   |
| It is not clear if the spray arms are working | The spray arms start turning approximately 5 minutes after the dishwasher starts. This is normal during the washing cycle. |
| No water is taken in                          | Make sure that the water tap is open   |

|   |   |  |
|---|---|--|
| Dishes not dry  | No rinse aid  | Add rinse aid  |
|   | A program has been used that does not involve a final drying cycle                                      | See program table  |
|   | Water in dishes or pans   | When loading the dishwasher, make sure that you place dishes and pans at an angle  |
|   | The dishes were taken out too soon  | Wait at least 20 minutes after the end of the program  |
|   | Use of ecological rinse aids  | Ecological products may be less effective than traditional products  |
|   | Plastic dishes  | Plastic has a lower heat storage capacity and is therefore harder to dry   |
|   | The combined detergent used does not produce good drying results  | Use a different combined detergent. Using traditional rinse aids improves drying.  |
| Clouding of glassware                                 | Glass not dishwasher safe   | Only use glassware that is dishwasher safe. Check the water softener setting (reduce if necessary). Use a detergent that contains additives for protecting glass |
| Water marks on some items or on plastic dishes        | The formation of drops on the plastic parts is inevitable; stains may therefore be visible after drying | Use a more intense program   |
|   |   | Arrange dishes at an angle so that the water can drain off easily  |
|   |   | Use a traditional rinse aid or increase the dosage   |
|   |   | Increase the water softener setting  |
| Removable streaks on glasses, metal items and cutlery | Too much rinse aid  | Reduce the amount of rinse aid   |
|   | No rinse aid or setting too low   | Add rinse aid or increase supply   |
|   | Detergent not very effective  | Packets of detergent should not be kept open for too long. The detergent loses effectiveness   |

|   |  |  |
|---|--|--|
| Food residues on the dishes   | Dishes too close together, baskets too full                | There must always be enough space between the dishes to allow water jets to pass. Avoid contact points |
|   | The spray arms do not rotate                               | Take care not to prevent the spray arms from rotating when loading the dishwasher                      |
|   | Clogged spray arm nozzles                                  | Clean the spray arms as indicated in the manual  |
|   | Dirty filters  | Clean the filters as indicated in the manual   |
|   | Filters inserted incorrectly or not fastened in place      | Check and correct  |
|   | Wash program unsuitable for the type of soil               | Find the suitable washing program in the program table   |
|   | Combined detergent used with programs that are too short   | Use a powder detergent or a more intensive program   |
|   | Not enough detergent (if you are using a powder detergent) | Increase the amount of detergent used  |
|   | Upper basket not horizontal                                | The left and right sides of the upper basket must be at the same level                                 |
|   | White film in the chamber or on the door                   | The substances contained in the detergent has settled out  |
| Incorrect water hardness setting (too low or too high)                        |  | Adjust the water softener setting<br>Change detergent  |
| Salt container cap not tightened (saline solution mixing with the wash water) |  | Tighten the salt container cap properly  |
| Combined detergent or bio/eco detergent not very effective                    |  | Adjust the water softener system<br>Use separate products  |









*If after following the above troubleshooting instructions the problem persists, call the nearest After-Sales Centre.*





**WARNING: any operations performed on the appliance by unauthorised persons are not covered by the warranty and shall be paid for by the user.**

## 7. TROUBLESHOOTING

The dishwasher is capable of signalling a number of faults through the simultaneous illumination of several indicator lights, with the following meanings:

| FAULT   | DESCRIPTION  |
|---|--|
| <b>E1</b>    | <b>Acquastop failure</b><br>The anti-flooding system has been activated (for the relevant models only). The system is tripped in case of water leaks. Contact the after-sales service.   |
| <b>E2</b>    | <b>Safety level</b><br>The system which limits the water level inside the dishwasher has been tripped. Interrupt the program and switch off the dishwasher. Switch the dishwasher back on, program it again and start the washing cycle. If the problem persists, contact the after-sales service. |
| <b>E3</b>    | <b>Water heating malfunction</b><br>The water is not heated or the heating parameters are not correct. Repeat the washing program; if the problem persists, contact the after-sales service.   |
| <b>E4</b>    | <b>Water temperature monitoring malfunction</b><br>Interrupt the program and switch off the dishwasher. Switch the dishwasher back on, program it again and start the washing cycle. If the problem persists, contact the after-sales service.   |
| <b>E5</b>  | <b>Water intake malfunction</b><br>The appliance does not take in water or does not do so correctly. Check that the water connections are correct, the water intake tap is turned on and the filter is not fouled. If the problem persists, contact the after-sales service.                       |
| <b>E6</b>  | <b>Water pump-out malfunction</b><br>The appliance does not pump out the water or does not do so correctly. Check that the drain hose is not kinked or crushed and that the siphon and filter are not fouled. If the problem persists, contact the after-sales service.                            |



| FAULT      |   | DESCRIPTION  |
|------------|---|--|
| <b>E7</b>  |  | <b>Turbine flow-regulator malfunction</b><br>(for the relevant models only)<br>The appliance is not able to "measure" the amount of water loaded accurately. Interrupt the program and switch off the dishwasher. Switch the dishwasher back on, program it again and start the washing cycle. If the problem persists, contact the after-sales service. |
| <b>E8</b>  |  | <b>Alternate washing system malfunction</b><br>Interrupt the program and switch off the dishwasher. Switch the dishwasher back on, program it again and start the washing cycle. If the problem persists, contact the after-sales service.   |
| <b>E9</b>  |  | <b>Water intake system malfunction</b><br>Contact the after-sales service.   |
| <b>E11</b> |  | Wash motor pump does not work  |

 Light off

 Light on

 Light flashing

If an alarm occurs the appliance interrupts the program in progress and signals a fault.

- Alarms **E1**, **E2**, **E3**, **E4**, **E8** and **E9** interrupt the current program immediately.
- The **E5**, **E6** alarms interrupts the running program once the cause is resolved, it will bring back the execution of the program.
- The alarm **E7** is visualized at the end of the cycle that comes, however, brought to the end since the operation of the dishwasher is not harmed.
- **E11**: Contact the after-sales service.

To "reset" an alarm is necessary:

- Open and close the door, or turn off and on the machine. At this point is possible to program the dishwasher again.



*If the malfunction persists, contact your authorised Service Centre.*