

FAB28UGL

50's Retro style

50'S Style Refrigerator with ice compartment,
Yellow, Left hand hinge

EAN13: 8017709193676

Capacity 9.22 Cu. Ft.

REFRIGERATOR

Interior light

3 adjustable glass shelves

1 bottle storage shelf

1 fixed glass shelf

1 fruit and vegetable container

1 dairy box

DOOR

2 adjustable covered bins

2 bottle storage bins

4 adjustable bins

2 egg bins

FREEZER COMPARTMENT:

1 Ice cube tray

Energy consumption: 305 kWh/ year

Voltage: 120 V

Current: 10 A

Frequency: 60 Hz

Noise level: 42 dB(A) RE 1 pW

Dimensions (h x w x d) 57½ x 23⅝ x 27½ inches

Gross weight: 181.4 lbs

Net weight: 156.5 lbs

When positioning these appliances adjacent to kitchen unit a gap of 6 7/8" must be left on the hinged side of the product to allow the door to open. When positioning next to a wall it is recommended to leave a larger gap of 12 1/2".



Versions

- **FAB28UGR** - Yellow, hinges on the right

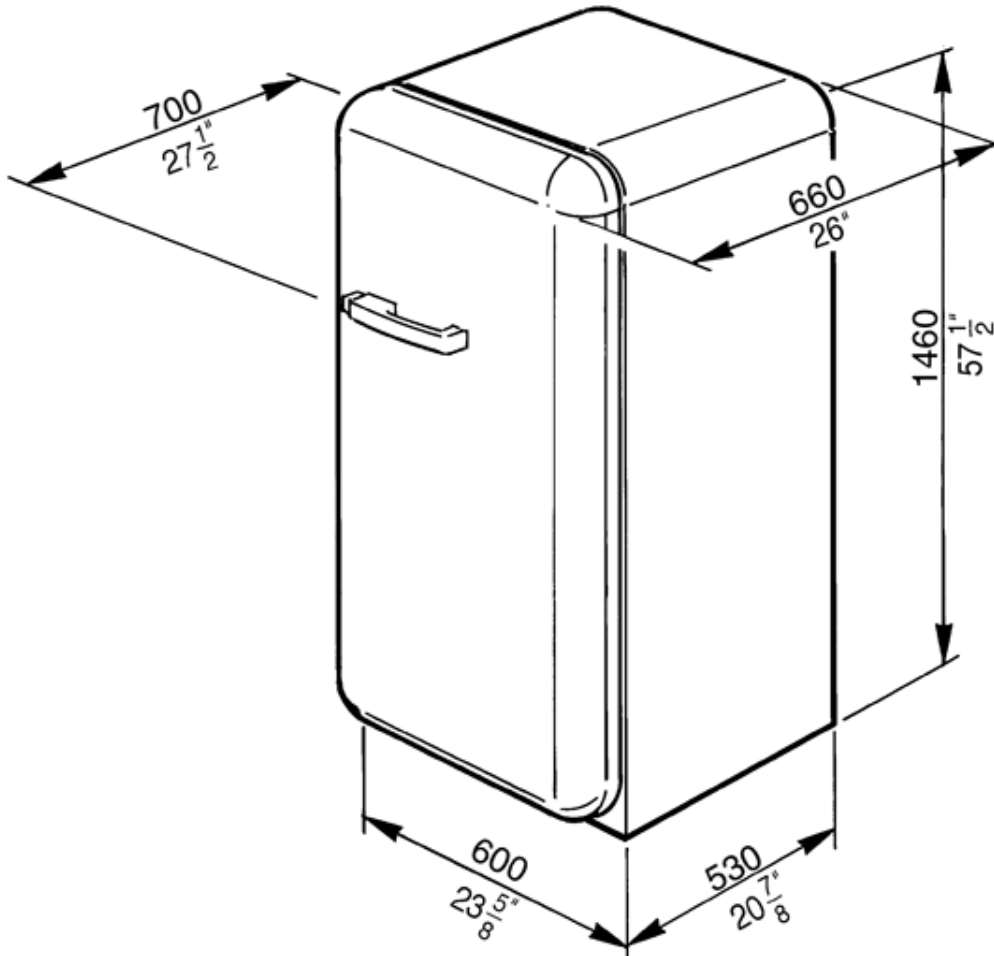
- **FAB28UOR** - Orange, hinges on the right
- **FAB28UOL** - Orange, hinges on the left
- **FAB28UVER** - Lime green, hinges on the right
- **FAB28UVEL** - Lime green, hinges on the left
- **FAB28UNER** - Black, hinges on the right
- **FAB28UNEL** - Black, hinges on the left
- **FAB28UROR** - Pink, hinges on the right
- **FAB28UROL** - Pink, hinges on the left
- **FAB28URR** - Red, hinges on the right
- **FAB28URL** - Red, hinges on the left
- **FAB28UBLR** - Blue, hinges on the right
- **FAB28UBLL** - Blue, hinges on the left
- **FAB28UPR** - Cream, hinges on the right
- **FAB28UPL** - Cream, hinges on the left
- **FAB28UAZR** - Pastel blue, hinges on the right
- **FAB28UAZL** - Pastel blue, hinges on the left
- **FAB28UVR** - Pastel green, hinges on the right
- **FAB28UVL** - Pastel green, hinges on the left
- **FAB28UXR** - Silver, hinges on the right
- **FAB28UXL** - Silver, hinges on the left
- **FAB28UBR** - White, hinges on the right
- **FAB28UBL** - White, hinges on the left
- **FAB28UUJR** - Union Jack, hinges on the right
- **FAB28UUJL** - Union Jack, hinges on the left

SMEG U.S.A. INC.
A&D BUILDING
150 EAST 58th STREET, 7th FLOOR
NEW YORK, NY, 10155
Tel. +1 212 265 5378
Fax +1 212 265 5945



FAB28UGL

50's Retro style
fridge
free standing
50's style
yellow
24"



SMEG U.S.A. INC.
A&D BUILDING
150 EAST 58th STREET, 7th FLOOR
NEW YORK, NY, 10155
Tel. +1 212 265 5378
Fax +1 212 265 5945