

FAB28UOL

50's Retro style

50'S Style Refrigerator with ice compartment,
Orange, Left hand hinge

EAN13: 8017709096533

- Capacity 9.22 Cu. Ft.

REFRIGERATOR

- Interior light
- 3 adjustable glass shelves
- 1 bottle storage shelf
- 1 fixed glass shelf
- 1 fruit and vegetable container
- 1 dairy box

DOOR

- 2 adjustable covered bins
- 2 bottle storage bins
- 4 adjustable bins
- 2 egg bins

FREEZER COMPARTMENT:

- 1 Ice cube tray
- Climatic class: T
- Energy consumption: 305 kWh/ year
- Voltage: 120 V
- Current: 10 A
- Frequency: 60 Hz
- Dimensions (h x w x d) 57½ x 23⅝ x 27½ inches
- Gross weight: 181.4 lbs
- Net weight: 156.5 lbs

A gap of 12 ½" inches must be left on the hinged side
of the product to allow the door to open



Versions

- **FAB28UOR** - Orange, hinges on the right
- **FAB28UVER** - Lime green, hinges on the right
- **FAB28UVEL** - Lime green, hinges on the left

- **FAB28UNER** - Black, hinges on the right
- **FAB28UNEL** - Black, hinges on the left
- **FAB28UROR** - Pink, hinges on the right
- **FAB28UROL** - Pink, hinges on the left
- **FAB28URR** - Red, hinges on the right
- **FAB28URL** - Red, hinges on the left
- **FAB28UBLR** - Blue, hinges on the right
- **FAB28UBLL** - Blue, hinges on the left
- **FAB28UPR** - Cream, hinges on the right
- **FAB28UPL** - Cream, hinges on the left
- **FAB28UAZR** - Pastel blue, hinges on the right
- **FAB28UAZL** - Pastel blue, hinges on the left
- **FAB28UVR** - Pastel green, hinges on the right
- **FAB28UVL** - Pastel green, hinges on the left
- **FAB28UXR** - Silver, hinges on the right
- **FAB28UXL** - Silver, hinges on the left

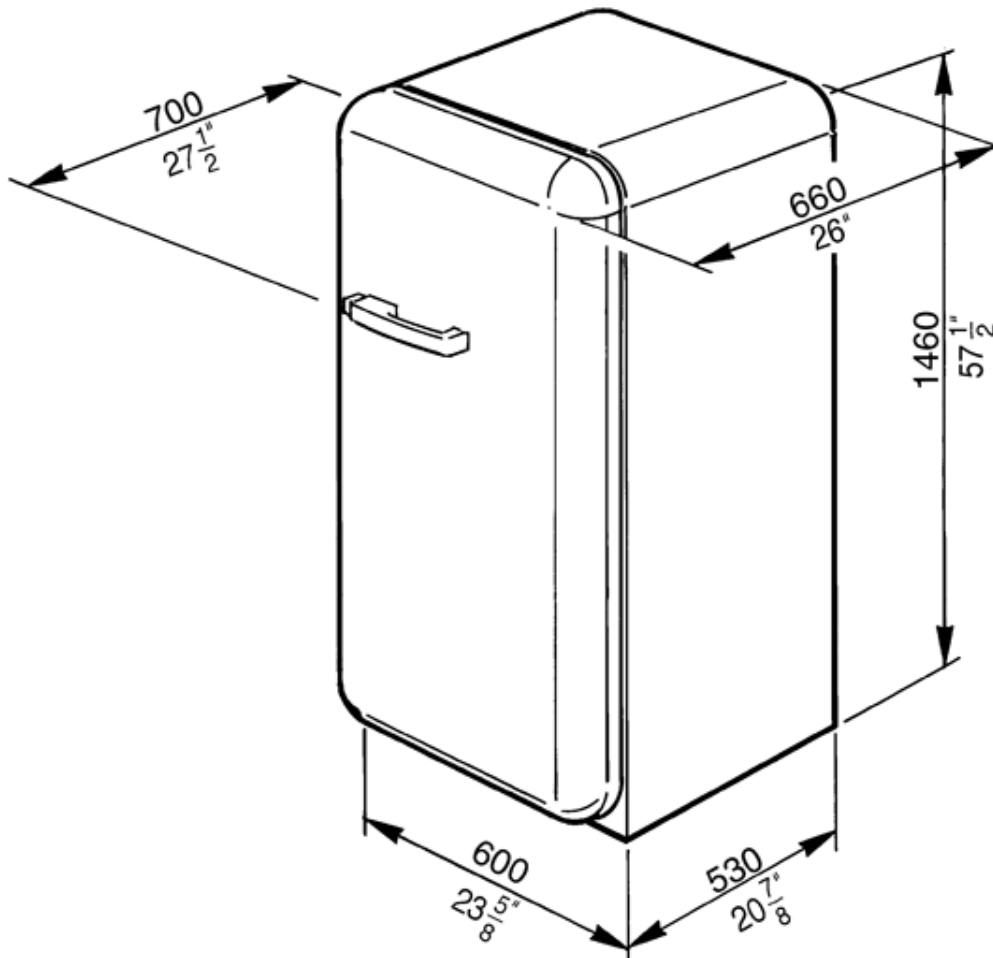
SMEG U.S.A. INC.
A&D BUILDING
150 EAST 58th STREET, 7th FLOOR
NEW YORK, NY, 10155
Tel. +1 212 265 5378
Fax +1 212 265 5945



FAB28UOL

50's Retro style

fridge
free standing
50's style
orange
24"



SMEG U.S.A. INC.
A&D BUILDING
150 EAST 58th STREET, 7th FLOOR
NEW YORK, NY, 10155
Tel. +1 212 265 5378
Fax +1 212 265 5945