

FAB32URWH3 New product

50's Retro style

'50s Style 'No Frost' Fridge-Freezer, White,
Right Hand Hinge, 60 cm (Approx 24")

EAN13: 8017709272104

REFRIGERATOR

Multiflow Cooling System

Fresh food capacity: 8.26 cu ft

Life plus zone 28 - 37°F with electronic control

LED internal light

Digital display with independent double temperature control
(refrigerator and freezer)

Special function: Holiday, Fast freezing, Fast cooling,
Temperature alarm

3 adjustable glass shelves

Glass crisper cover

Fruit and vegetables drawer on telescopic guides

FREEZER

3 drawers

Frozen food capacity: 3.43 cu ft

DOOR

1 bin with transparent cover

1 bottle storage bin

2 adjustable bins

TECHNICAL FEATURES

Energy consumption: 378 kWh/year

Voltage: 120V

Frequency: 60Hz



Functions



Versions

- **FAB32ULWH3** - White, Left Hand Hinge



FAB32URWH3

50's Retro style

fridge
free standing
combined
white
24"



Energy Star and ISO14001 Certified:

The Smeg production process is carefully managed in order to keep the impact upon the environment as low as possible. The process is checked and certified by Independent International bodies IQNET and CISQ (Smeg complies with the standard ISO14001). All Smeg dishwashers are ENERGY STAR qualified. Energy efficiency is important to Smeg and our technicians are constantly working to keep the energy, and water, consumption of each dishwasher as low as possible. ENERGY STAR certified products use less water than conventional dishwashers, and approximately 40% less energy than the federal minimum standard for energy consumption. By choosing an ENERGY STAR certified product you are helping to preserve the environment without compromising on product quality or performance.



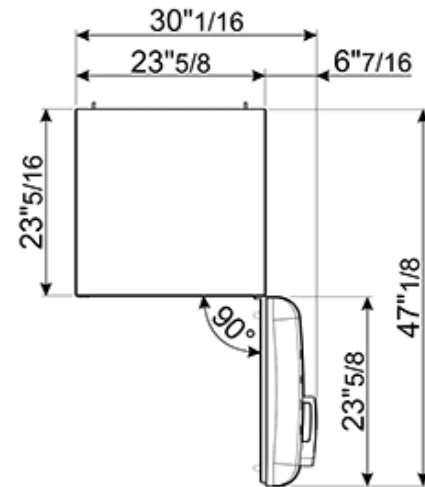
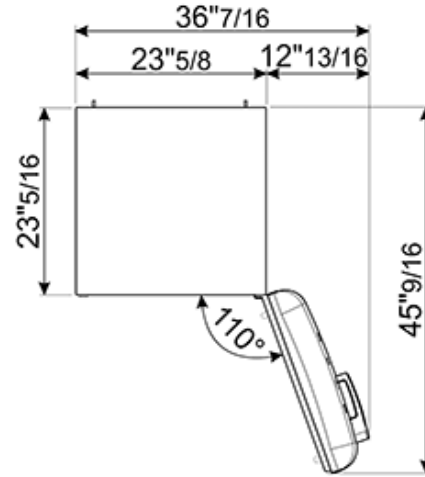
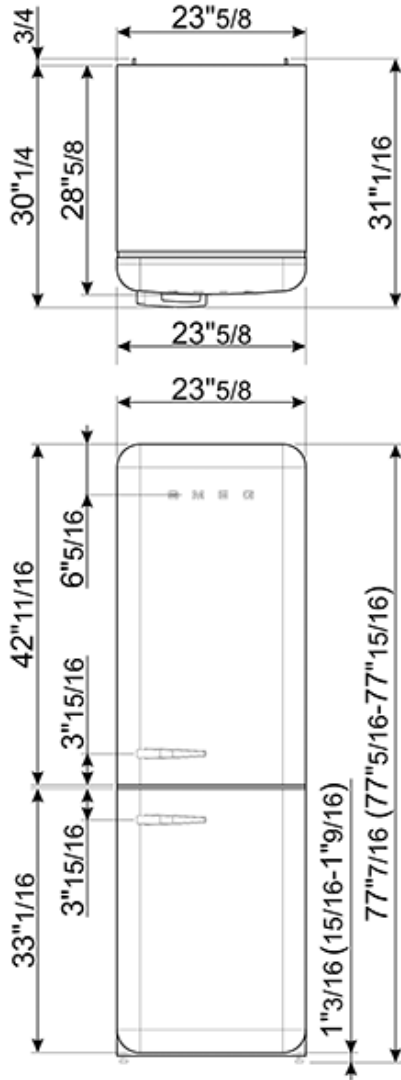
**SMEG U.S.A. INC.
A&D BUILDING
150 EAST 58th STREET, 7th FLOOR
NEW YORK, NY, 10155
Tel. +1 212 265 5378
Fax +1 212 265 5945**



FAB32URWH3

50's Retro style

fridge
free standing
combined
white
24'''



SMEG U.S.A. INC.
A&D BUILDING
150 EAST 58th STREET, 7th FLOOR
NEW YORK, NY, 10155
Tel. +1 212 265 5378
Fax +1 212 265 5945