

## FAB32UWHRN

### 50's Retro style

50'S Retro Style refrigerator with automatic freezer, White, Right hand hinge

EAN13: 8017709219406

Frost-free

2 adjustable thermostats

#### Refrigerator

8.2 cu. ft. capacity

Interior light

3 adjustable glass shelves

1 fruit and vegetable container

1 bottle storage shelf

#### Door

3 adjustable balconies

1 balcony shelf with transparent cover

Egg holder

#### Freezer

3.5 cu. ft. capacity

2 drawers

1 compartment with pull-down flap

Fast-freezing compartment

Ice tray

Dimensions (h x w x d) 75 17/20" x 23 2/3" x 26 2/3"



## Versions

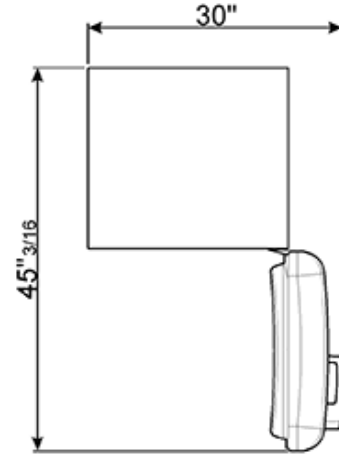
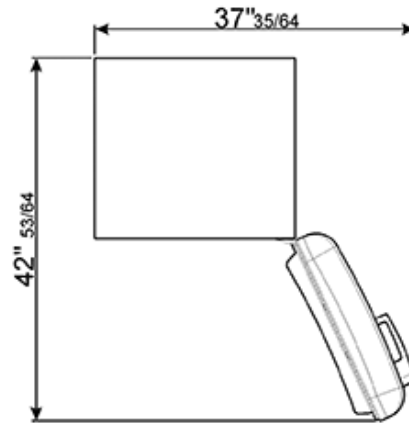
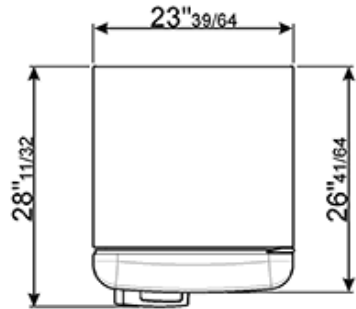
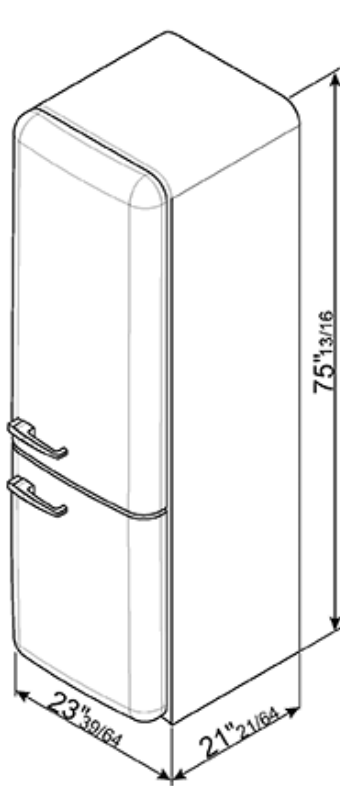
- **FAB32UWHLN** - White, left hand hinge



# FAB32UWHRN

50's Retro style

fridge  
free standing  
combined  
white  
24"



SMEG U.S.A. INC.  
A&D BUILDING  
150 EAST 58th STREET, 7th FLOOR  
NEW YORK, NY, 10155  
Tel. +1 212 265 5378  
Fax +1 212 265 5945