

SEU244ETB

60CM (24") Ceramic Cooktop
Black Glass

EAN13: 8017709240998

Built-in type: Ultra-low profile

Power supply: Electric

Glass type: Ceramic

Glass edge: Beveled

Type of control setting: Touch controls

Control knobs position: Front

Serigraphy colour: Grey

Programs / Functions

Total cook zones: 4

Total electric plates cook zones: 4

Total booster cook zones: 4

Power levels: 9

Options

End cooking timer: 1

End of cooking alarm

Limited Power Consumption Mode

Limited Power Consumption Mode - Steps: 4000 W

Showroom Demo Option

Controls Lock / Child Safety

Technical Features

Front left - Ceramic - single - 1200 W - Ø 5.83"

Rear left - Ceramic - single - 1800 W - Ø 7.24"

Rear right - Ceramic - double - 750 - 1800 W - Ø 4.88" - Ø 7.24"

Front right - Ceramic - single - 1200 W - Ø 5.83"

Accessories Included

Scraper: 1

Electrical Connection

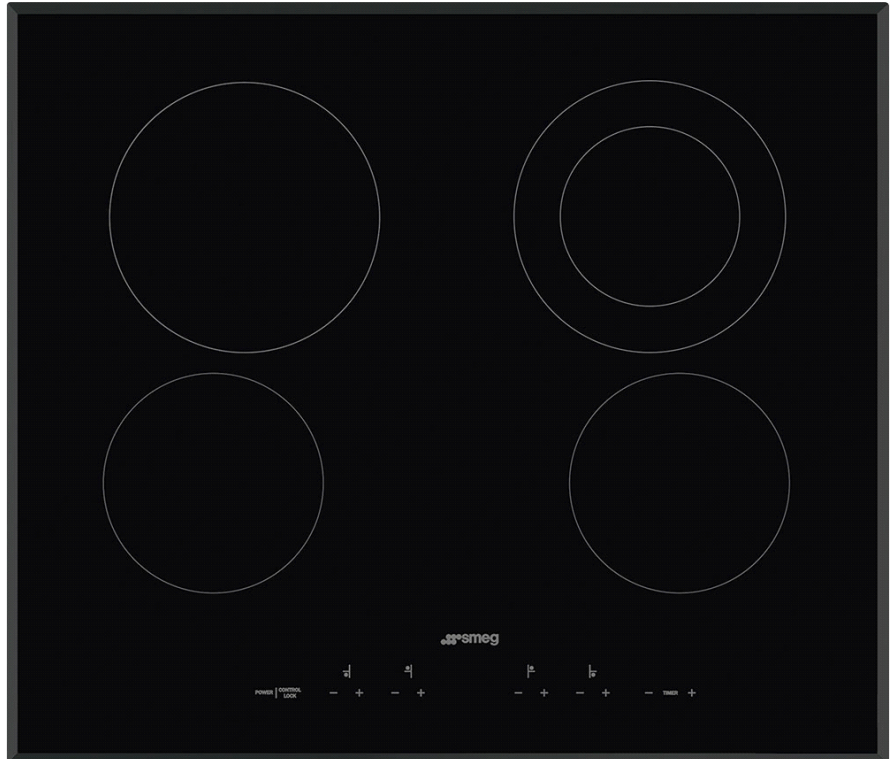
Electrical connection rating (W): 6000 W

Voltage (V): 240 V

Voltage 2 (V): 208 V

Cord type: Single phase

Frequency (Hz): 60 Hz



Length of electrical supply cord (cm): 47.25"

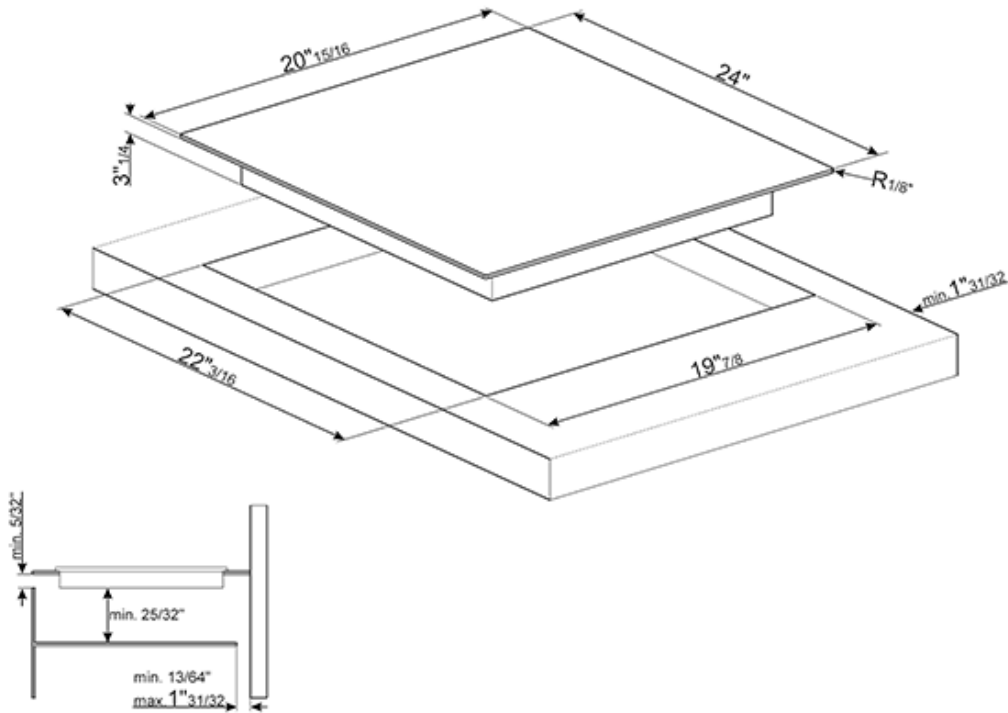
Terminal box: 6 poles

**SMEG U.S.A. INC.
A&D BUILDING
150 EAST 58th STREET, 7th FLOOR
NEW YORK, NY, 10155
Tel. +1 212 265 5378
Fax +1 212 265 5945**



SEU244ETB

ceramic cooktop
24"
black
touch control



SMEG U.S.A. INC.
A&D BUILDING
150 EAST 58th STREET, 7th FLOOR
NEW YORK, NY, 10155
Tel. +1 212 265 5378
Fax +1 212 265 5945