



## C30GGXU1

Free-Standing Gas Range, 30",  
Stainless Steel

EAN13: 8017709179236

Exclusive Professional Style

AISI 304 Stainless Steel

Sturdy American style control knobs

4" Polished stainless steel backsplash

### Gas Oven

3 Cooking modes

Gas Convection mode

Broil mode

Defrost mode

Timer with alarm

Adjustable thermostat 302°F-530°F

Air cooled triple glazed removable door

"Ever-clean" enamelled oven interior

4 Shelf positions

Oven capacity: 3.55 cu.ft

Gas bake power: 16500 BTU

Gas broil power: 12500 BTU

### Gas Rangetop

Heavy duty cast iron grates

Full width grates

Sealed burners

Automatic electronic ignition incorporated in  
the control knobs

LP Gas conversion kit included

Deep range-top base to contain spillage

### 5 Gas Burners:

Including 4 Burners Min-Max with real Simmer feature

Front right: 10,100 BTU burner

Back right: 10,100 BTU burner

Center: 17,000 BTU burner

Front left: 10,100 BTU burner

Back left: 10,100 BTU burner

### Safety

Automatic re-ignition when flame is accidentally  
extinguished

Valved gas oven

Ventilated door with cooling system to prevent  
overheating

Anti-tilting norms satisfied

Suitable for building-in

Connected load nominal power 120V

Amp supply required @ 120V: 1.2 Amp

Voltage rating: 120V 60Hz

Gas inlet location: back top right

### Accessories Included:

1 Baking tray

1 Chrome shelf

1 Wok ring

1 Moka ring

### Optional Accessories:

\*Classic" control knob kit



## Options

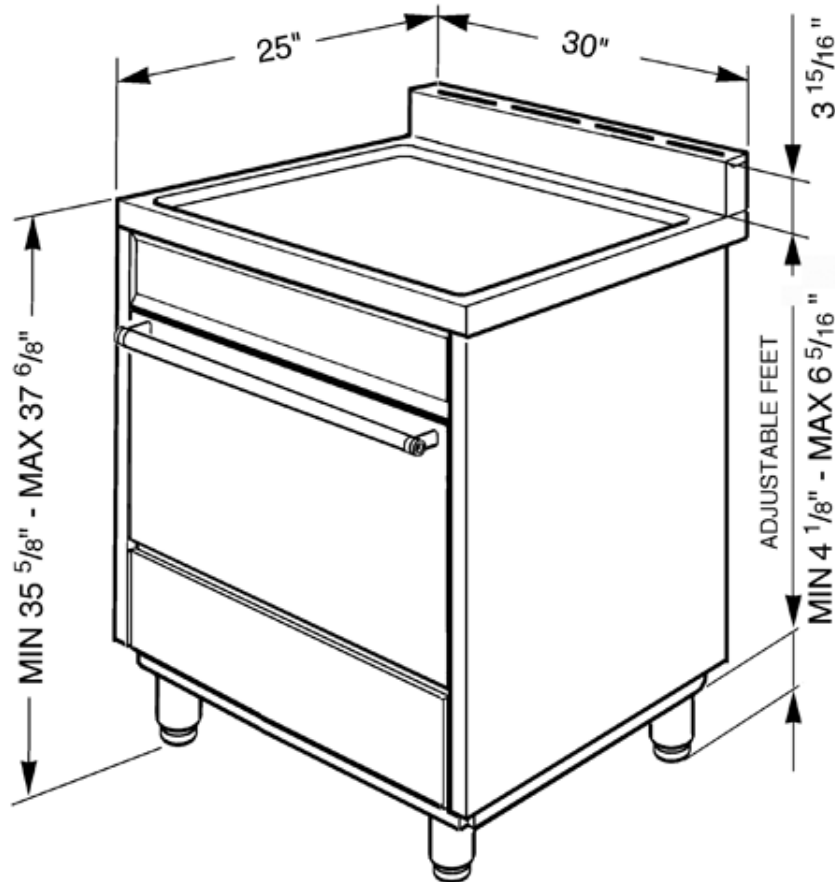
- **KTI130XU** - Island trim

**SMEG U.S.A. INC.**  
**A&D BUILDING**  
**150 EAST 58th STREET, 7th FLOOR**  
**NEW YORK, NY, 10155**  
**Tel. +1 212 265 5378**  
**Fax +1 212 265 5945**



C30GGXU1

30"  
stainless steel  
cooktops type: gas  
oven type: gas



SMEG U.S.A. INC.  
A&D BUILDING  
150 EAST 58th STREET, 7th FLOOR  
NEW YORK, NY, 10155  
Tel. +1 212 265 5378  
Fax +1 212 265 5945