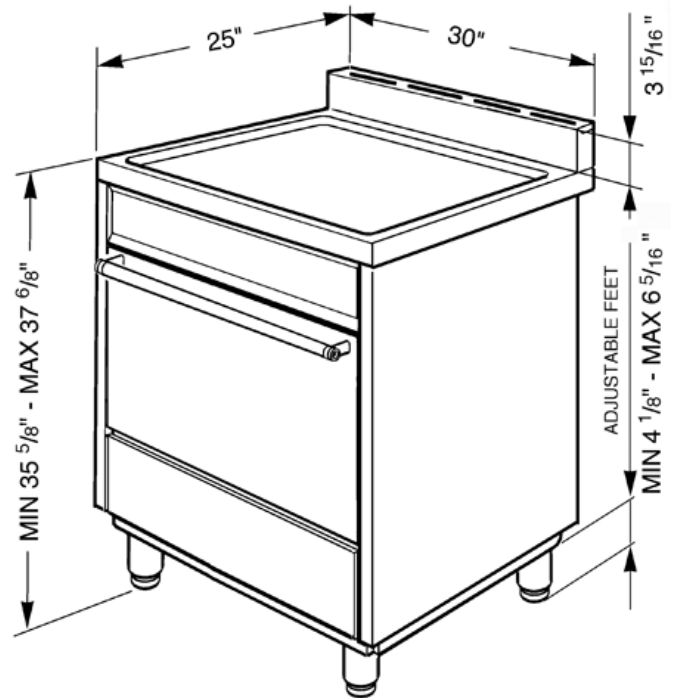




C30GGXU1

Free-Standing Gas Range, 30",
Stainless Steel
EAN13: 8017709179236



• Exclusive Professional Style • AISI 304 Stainless Steel • Sturdy American style control knobs • 4" Polished stainless steel backsplash
• **Gas Oven** • 3 Cooking modes • Gas Convection mode • Broil mode • Defrost mode • Timer with alarm • Adjustable thermostat 302° F-530°F • Air cooled triple glazed removable door • "Ever-clean" enamelled oven interior • 4 Shelf positions • Oven capacity: 3.55 cu.ft • Gas bake power: 16500 BTU • Gas broil power: 12500 BTU • **Gas Rangetop** • Heavy duty cast iron grates • Full width grates • Sealed burners • Automatic electronic ignition incorporated in the control knobs • LP Gas conversion kit included • Deep range-top base to contain spillage • **5 Gas Burners:** • **Including 4 Burners Min-Max with real Simmer feature** • Front right: 10,100 BTU burner • Back right: 10,100 BTU burner • Center: 17,000 BTU burner • Front left: 10,100 BTU burner • Back left: 10,100 BTU burner • **Safety** • Automatic re-ignition when flame is accidentally extinguished • Valved gas oven • Ventilated door with cooling system to prevent overheating • Anti-tilting norms satisfied • Suitable for building-in • Connected load nominal power 120V • Amp supply required @120V: 1.2 Amp • Voltage rating: 120V 60Hz • Gas inlet location: back top right • **Accessories Included:** • 1 Baking tray • 1 Chrome shelf • 1 Wok ring • 1 Moka ring • **Optional Accessories:** • "Classic" control knob kit

Options

- KIT130XU - Island trim