



## CPF30UGMBL New product

### Portofino

Portofino Pro-Style Dual Fuel Range,  
Black, 30" x 25"

EAN13: 8017709256661

#### PORTOFINO STYLE

Stainless steel control knobs

#### Soft close oven door

Full-width continuous grates

Push-pull stainless steel storage compartment

#### MULTIFUNCTION ELECTRIC OVEN:

10 cooking modes including Pizza Function

Programmable timer with touch display

Adjustable thermostat 120° - 500°F

Air-cooled triple-glazed removable door

#### True European triple convection

Oven capacity: 3.6 cu. ft.

#### Ever Clean enameled interior cavity

4 shelf positions

2 x halogen oven lights

Bake element 1.7kW

Broil element 2.9kW

Convection element 2.7Kw

#### GAS RANGETOP:

4 gas burners

Diamond con guration burner layout

Center-rear 3500 BTU

Center-front 6500 BTU

Right super burner 17000 BTU

#### Left double-inset super burner 18000 BTU

Heavy-duty cast iron grates

Automatic electric ignition

LP gas conversion kit included

#### SAFETY:

Gas safety valves

Air-cooled door to prevent overheating

Connected nominal power: 240/120V

Voltage rating: @ 240/120V 60Hz

#### ACCESSORIES INCLUDED:

1 wok ring

1 deep oven tray

1 partial-extraction telescopic guide

2 chrome shelves



## Functions

---



## Options

---

- **BGTR9** - Grill Plate
- **GT91P** - 1-Level Telescopic Shelf – Partial Extraction
- **PPR9** - Pizza Stone

## Versions

---

- **CPF30UGMR** - Red
- **CPF30UGMX** - Stainless Steel
- **CPF30UGMYW** - Yellow
- **CPF30UGMWH** - White
- **CPF30UGMOR** - Orange
- **CPF30UGMOG** - Olive Green
- **CPF30UGMAN** - Matte black



**Main Oven**



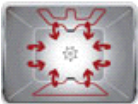
**Convection:**

This combination completes cooking more quickly of foods that are ready on the surface, but require more cooking inside, without further browning. For Gas Oven: Convection with lower elements: The fan is added to the gas burner to distribute the heat quickly and evenly throughout the oven cavity, avoiding flavour transfer when cooking a number of different dishes at the same time.



**Bake:**

Ideal for slow baked cakes and casseroles. This traditional static heat will ensure food remains moist when cooked for longer periods of time.



**Convection Bake:**

The elements combined with the fan aim to provide more uniform heat, a similar method to conventional cooking, so pre-heat is required. Most suitable for items requiring slow cooking methods.



**European convection:**

Hot air fan cooking that provides quick, multi layered cooking with excellent browning results. Due to the effective circulation of hot air, there is no flavour transfer between foods. Delicate and strongly fragranced foods can be cooked at the same time.



**Convection broil:**

The fan reduces the fierce heat from the broiler, providing an excellent method of grilling various foods, chops, steaks, sausages etc. giving even browning and heat distribution, without drying out the food. The top two levels recommended for use, and the lower part of the oven can be used to keep items warm at the same time, an excellent facility when cooking a grilled breakfast.



**Broiler:**

For rapid cooking and browning of foods. Best results can be obtained by using the top shelf for small items, the lower shelves for larger ones, such as chops or sausages. For half grill heat is generated only at the centre of the element, so is ideal for smaller quantities.



**Pizza function:**

The simultaneous operation of these three elements ensures an optimum cooking facility, ideal not only for pizza but also for cookies, quiches and flans.



**Rotisserie with broil:**

The rotisserie (where installed) works in combination with the broil element to brown foods to perfection.



**Defrost at time:**

Defrost at time



**Vapor Clean:**

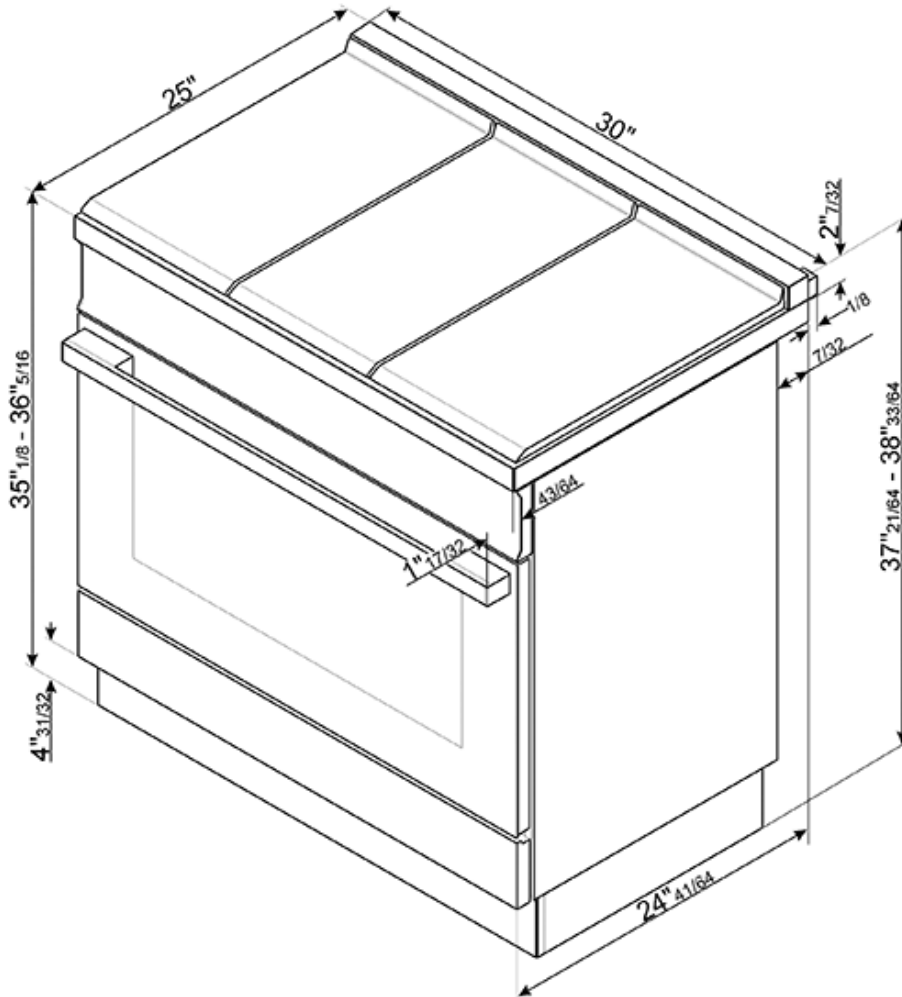
a simple cleaning function using steam to loosen deposits in the oven cavity.



CPF30UGMBL

Portofino

30"  
black  
cooktops type: gas  
oven type: electric multifunction



SMEG U.S.A. INC.  
A&D BUILDING  
150 EAST 58th STREET, 7th FLOOR  
NEW YORK, NY, 10155  
Tel. +1 212 265 5378  
Fax +1 212 265 5945