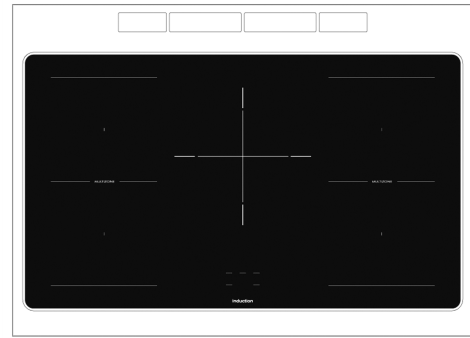


SPR36UIMX



Cooktop technical features

Cooking zones	5
Cooking zones with Booster	5
Number of Flexible zones	1
Front-left - 1300 W - Booster 1400 W	
Rear-left - 2300 W - Booster 3000 W	
Center - 2300 W - Booster 3000 W	
Rear-right - 1300 W - Booster 1400 W	
Front-right - 2300 W - Booster 3000 W	
Automatic switch-off in case of over-heating	Yes
Automatic switch-off in case of overflow	Yes
Automatic pan detection	Yes
Minimum pan diameter indicator	Yes
Selected zone indicator	Yes
Residual heat indicator	Yes

Compact-design cooker with electric oven and induction or ceramic glass hob: the perfect mix of style, quality and technology thanks to homogeneous and instantaneous heat, maximum safety and attention to consumption.

Features

Induction hob - Induction offers fast cooking and precise temperature control

Vapor Clean - By inserting water into a recess at the bottom of the cavity, steam is generated, which softens the residue and facilitates its removal

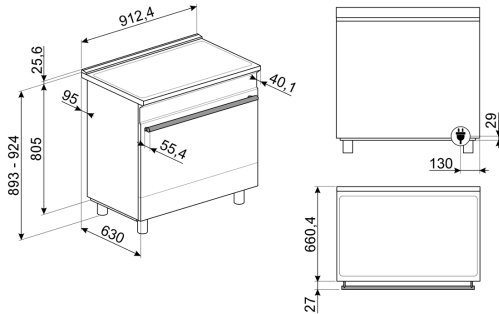
Touch control - Easy and intuitive timer setting with a single touch

True-convection - The best cooking performances guaranteed by ventilated circular flow.

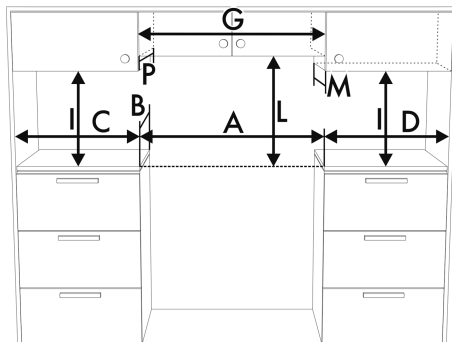
Tangential cooling - New cooling system with tangential fan and airflow from the door to the splashback

Soft close - The door is equipped with a specific system for silent closing

Product dimension drawing



Product installation drawing



A	24"	610 mm
B	25"	630 mm
C ¹	see user manual	
D ¹	see user manual	
G ²	24"	610 mm
I ³	18"	457 mm
L	see user manual	
M ⁴	13"	330 mm
P ⁴	13"	330 mm

Accessories



GT3T
 Total-extraction telescopic guides



KITTKSPR36
 Plinth, 3 sides, 900mm, SPR cookers 30", black



PALPZ
 Pizza shovel with fold away handle



PPR9
 Refractory pizza stone without handles

Color option



SPR36UIMAN
 Color: Matt Black



SPR36UIMMW
 Color: Matte white