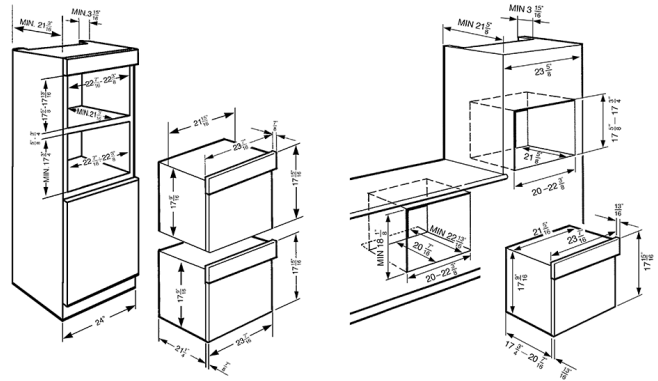


60CM (Approx. 24") Built-in Steam
Combination Oven, Stainless Steel
EAN13: 8017709219765



- **Modern Linea Design** • 10 cooking modes • Fingerprint-proof stainless steel finish • Ergonomic control knobs • Stainless steel cavity • Digital LED display • True European convection (combinable with steam oven) • Pizza cooking function • Steam cooking (combinable with convection oven) • Steam stops when door is open • Adjustable temperature: 105–430 °F • Child-safe control lock • 1x 25 W incandescent bulb • Oven capacity: 1.34 cu. ft. • Water tank capacity: 0.32 gal. • Voltage rating: 220V/60Hz • Connected load (nominal power): 2.7kW • Amps 240V: 12.3Amps • **Accessories Included:** • 1 steel tray • 1 large grid • 1 deep perforated steel tray • 1 sponge/descaler

Functions



Main Oven