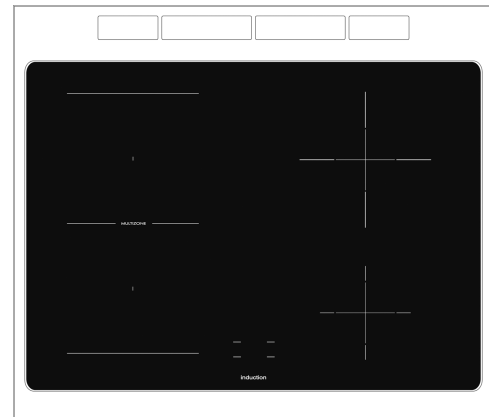


SPR30UIMX



Cooktop technical features

Cooking zones	4
Cooking zones with Booster	4
Number of Flexible zones	1
Front-left - 1300 W - Booster 1400 W	
Rear-left - 2300 W - Booster 3000 W	
Front-right - 2300 W - Booster 3000 W	
Rear-right - 1300 W - Booster 1400 W	
Automatic switch-off in case of over-heating	Yes
Automatic pan detection	Yes
Selected zone indicator	Yes
Residual heat indicator	Yes

Compact-design cooker with electric oven and induction or ceramic glass hob: the perfect mix of style, quality and technology thanks to homogeneous and instantaneous heat, maximum safety and attention to consumption.

Features

Induction hob - Induction offers fast cooking and precise temperature control

Vapor Clean - By inserting water into a recess at the bottom of the cavity, steam is generated, which softens the residue and facilitates its removal

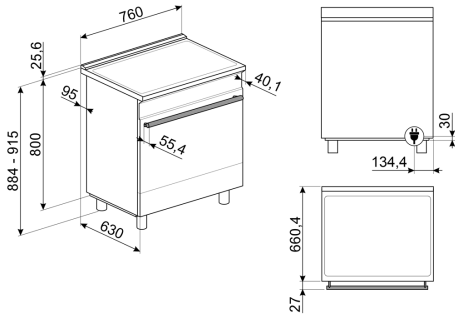
Touch control - Easy and intuitive timer setting with a single touch

True-convection - The best cooking performances guaranteed by ventilated circular flow.

Tangential cooling - New cooling system with tangential fan and airflow from the door to the splashback

Soft close - The door is equipped with a specific system for silent closing

Product dimension drawing



Accessories



GT3T
Total-extraction telescopic guides

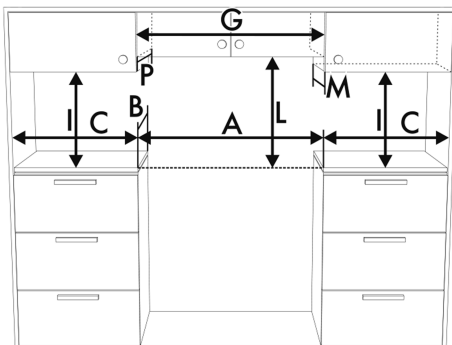


KITTKSPR30
Plinth, 3 sides, 900mm, SPR cookers 30", black



PALPZ
Pizza shovel with fold away handle

Product installation drawing



A	24"	610 mm
B	25"	630 mm
C¹	5 ⁷ / ₈ "	150 mm
G²	24"	610 mm
l³	18"	457 mm
L	see user manual	
M⁴	13"	330 mm
P⁴	13"	330 mm