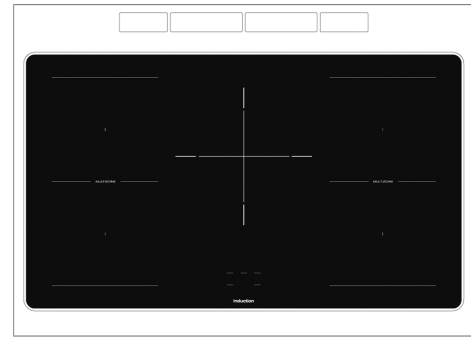


SPR36UIMMW



## Cooktop technical features

Cooking zones	5
Cooking zones with Booster	5
Number of Flexible zones	1
Front-left - 1300 W - Booster 1400 W	
Rear-left - 2300 W - Booster 3000 W	
Center - 2300 W - Booster 3000 W	
Rear-right - 1300 W - Booster 1400 W	
Front-right - 2300 W - Booster 3000 W	
Automatic switch-off in case of over-heating	Yes
Automatic switch-off in case of overflow	Yes
Automatic pan detection	Yes
Minimum pan diameter indicator	Yes
Selected zone indicator	Yes
Residual heat indicator	Yes

Compact-design cooker with electric oven and induction or ceramic glass hob: the perfect mix of style, quality and technology thanks to homogeneous and instantaneous heat, maximum safety and attention to consumption.

## Features

**Induction hob** - Induction offers fast cooking and precise temperature control

**Vapor Clean** - By inserting water into a recess at the bottom of the cavity, steam is generated, which softens the residue and facilitates its removal

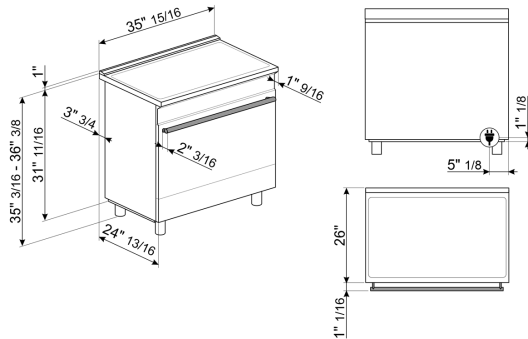
**Touch control** - Easy and intuitive timer setting with a single touch

**True-convection** - The best cooking performances guaranteed by ventilated circular flow.

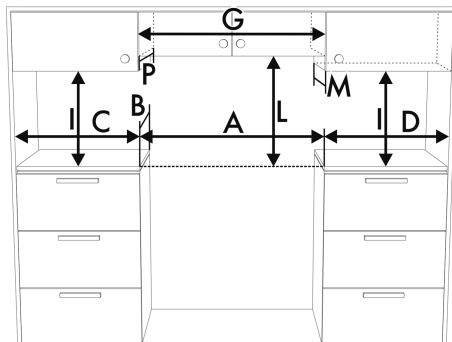
**Tangential cooling** - New cooling system with tangential fan and airflow from the door to the splashback

**Soft close** - The door is equipped with a specific system for silent closing

### Product dimension drawing



### Product installation drawing



A	24"	610 mm
B	25"	630 mm
C <sup>1</sup>	see user manual	
D <sup>1</sup>	see user manual	
G <sup>2</sup>	24"	610 mm
I <sup>3</sup>	18"	457 mm
L	see user manual	
M <sup>4</sup>	13"	330 mm
P <sup>4</sup>	13"	330 mm

### Accessories



**GT3T**  
Total-extraction telescopic guides



**KITTKSPR36**  
Plinth, 3 sides, 900mm, SPR cookers 30", black



**PALPZ**  
Pizza shovel with fold away handle



**PPR9**  
Refractory pizza stone without handles

### Color option



**SPR36UIMAN**  
Color: Matt Black



**SPR36UIMX**  
Color: Stainless steel