



## CPF36UGGR New product

### Portofino

Portofino Pro-Style Gas Range,  
Red, 36" x 25"

EAN13: 8017709265229

#### PORTOFINO STYLE

Stainless steel control knobs

#### Triple Convection

#### Soft close oven door

Full-width continuous grates

Push-pull stainless steel storage compartment

#### GAS OVEN:

4 cooking modes

Programmable Timer with Touch display

Adjustable thermostat 120° - 500°F

Air-cooled triple-glazed removable door

#### Triple Convection

Oven capacity: 4.5 cu. ft.

#### Ever Clean enameled interior cavity

5 shelf positions

2 x halogen oven lights

#### GAS RANGETOP:

5 gas burners

Center-rear 4500 BTU

Center-front 10500 BTU

Right-rear 12000 BTU

Right-front 8000 BTU

#### Left double-inset super burner 20000 BTU

Heavy-duty cast iron grates

Automatic electric ignition

LP gas conversion kit included

#### SAFETY:

Gas safety valves

Air-cooled door to prevent overheating

Connected nominal power: 2 A - 200W

Voltage rating: 120V 60Hz

#### ACCESSORIES INCLUDED:

1 wok ring

1 deep oven tray

1 total-extraction telescopic guide

2 chrome shelves



## Options

- **BGTR9** - Grill Plate
- **TPKTR9** - Teppanyaki Grill Plate
- **GT1T-2** - 1-Level Telescopic Shelf - Total Extraction

## Versions

---

- **CPF36UGGX** - Stainless Steel
- **CPF36UGGYW** - Yellow
- **CPF36UGGWH** - White
- **CPF36UGGOR** - Orange
- **CPF36UGGBL** - Black
- **CPF36UGGOG** - Olive green
- **CPF36UGGAN** - Matte Black

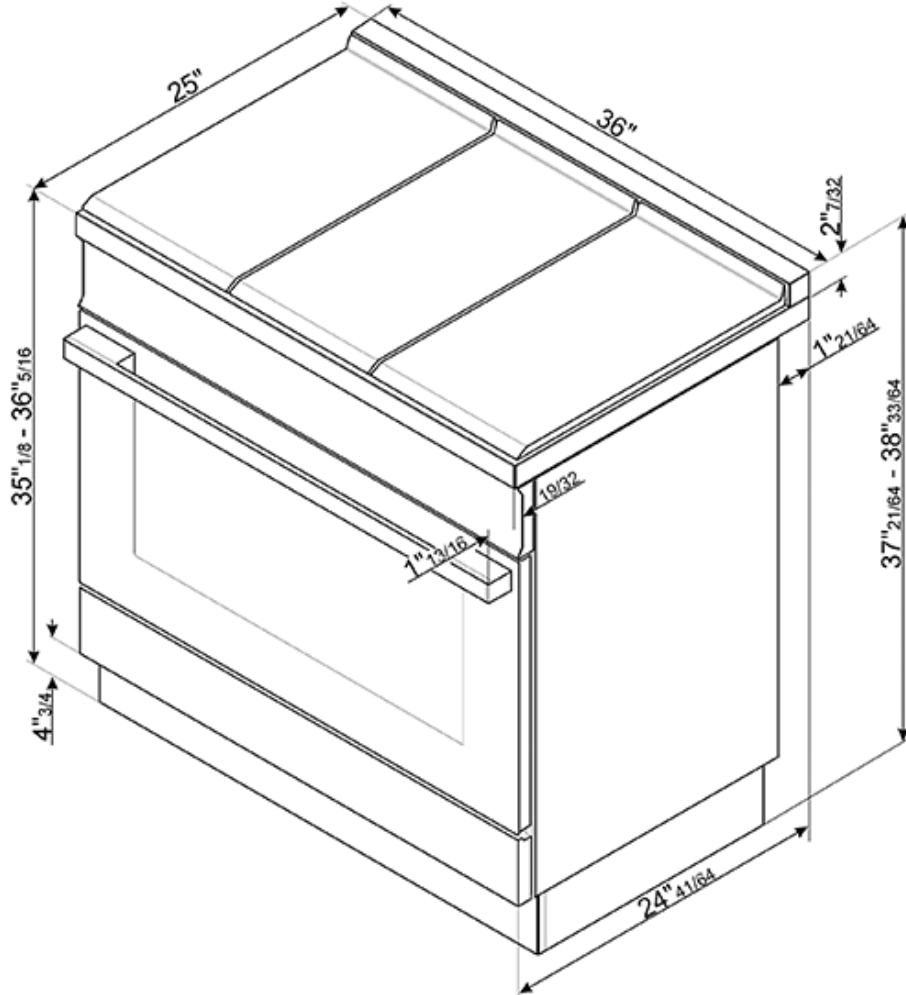
**SMEG U.S.A. INC.**  
**A&D BUILDING**  
**150 EAST 58th STREET, 7th FLOOR**  
**NEW YORK, NY, 10155**  
**Tel. +1 212 265 5378**  
**Fax +1 212 265 5945**



# CPF36UGGR

Portofino

36"  
red  
cooktops type: gas  
oven type: gas



SMEG U.S.A. INC.  
A&D BUILDING  
150 EAST 58th STREET, 7th FLOOR  
NEW YORK, NY, 10155  
Tel. +1 212 265 5378  
Fax +1 212 265 5945