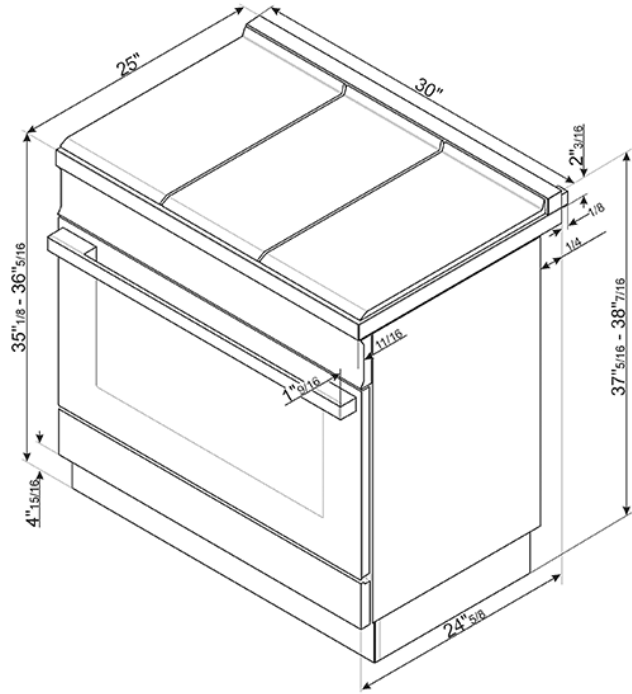




CPF30UGGOG

Portofino Pro-Style All-Gas Range, Olive Green,  
30" X 25"  
EAN13: 8017709270308



- **PORTOFINO STYLE** • Stainless steel control knobs • **Soft Close oven door** • Full-width continuous grates • Storage compartment • **GAS OVEN:** • 3 cooking modes • Programmable timer with touch display • Adjustable thermostat 120° - 500° F • Air-cooled triple-glazed removable door • **Removable inner glass for easy cleaning** • Oven capacity: 3.6 cu ft • **EverClean enameled interior cavity** • 4 shelf positions • 2 halogen oven lights • **GAS RANGETOP:** • 4 gas burners • Diamond configuration burner layout • Center-rear: 4,500 BTUs • Center-front: 8,000 BTUs • Right super burner: 20,000 BTUs • **Left double-inset super burner: 20,000 BTUs** • Heavy-duty cast-iron grates • Automatic electric ignition • LP gas conversion kit included • **SAFETY:** • Gas safety valves • Air-cooled door to prevent overheating • Connected load nominal power: 200W - 2 Amps • Voltage rating: 120V 60Hz • **ACCESSORIES INCLUDED:** • 1 wok ring • 1 deep oven tray • 1 partial-extraction telescopic guide • 2 chrome shelves • 1 black toe kick

## Functions



Main Oven

## Options

- BGCPF30 - Grill Plate • BGTR9 - Grill Plate • GT91P - 1-Level Telescopic Shelf – Partial Extraction • TPKCPF30 - Teppanyaki Grill Plate

## Versions

- CPF30UGGR - Red • CPF30UGGYW - Yellow • CPF30UGGWH - White • CPF30UGGOR - Orange • CPF30UGGBL - Black • CPF30UGGX - Stainless Steel • CPF30UGGAN - Matte Black