

**ARWL129NA**

32.88" x 23.38" x 22.0" (H x W x D)

Front-loading 110V washer built for SUMMIT by Ariston in Italy

**Highlights:**

- ENERGY STAR qualified for water and energy savings
- 16 wash cycles offer the appropriate care for every fabric
- Super silent operation with a unique tri-phase motor
- Made for SUMMIT in Italy by Ariston

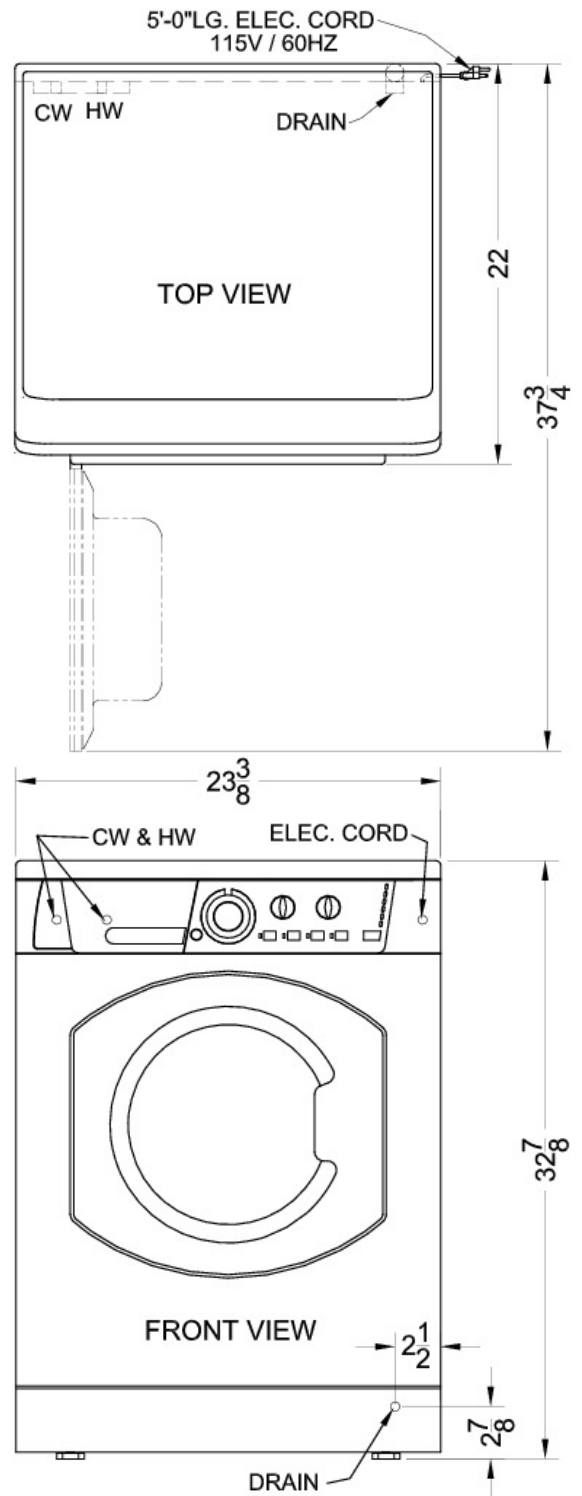


Slim undercounter dimensions	Just under 24" wide for an easy fit
Built-in capable	Unit can be built-in for recessed installation with zero clearance
ENERGY STAR Qualified	Low energy consumption offers water and electricity savings
Front-loading design	Easy to load with a glass door for a clear view
16 wash settings	Get the proper fabric care with settings for regular and colored cottons, permanent press, quick wash, mixed load, bright white, jeans, active wear, infant wear, lightly soiled, delicates, wool, silk curtains, and three partial wash cycles
Super silent operation	Special tri-phase motor ensures low noise operation
Stainless steel drum	Durable interior holds up load after load
Delay start option	Allows you to pre-set your laundry for the ideal finish time

Start/pause function	Lets you pause the wash cycle to add or remove fabric
Detergent dispenser	Pull-out compartment for prewash, regular detergent and fabric softener

## Specifications:

Height	32.88"
Width	23.38"
Depth	22.0"
Shipping Weight	158.0 lbs.
Weight	148.0 lbs.
Amps	4.0
Energy Usage/Year	105.0 kWh/year
Canadian Electrical Safety	ULC
US Electrical Safety	UL
Voltage/Frequency	115 V AC/60 Hz
Modified Energy Factor	2.16
Depth with door at 90°	37.75"
Style	Front Loading
Door Window	true
Control Type	Dial
Water Factor	4.96
Number of Dispensers	3
Max Drum Spin Speed	1200.0
Max Clothes Weight per Wash	15.0 lbs.
Dispenser Compartment	true
Leveling Legs	true
Parts/Labor Warranty	1 Year



Summit Appliance Division, Felix Storch, Inc.  
 770 Garrison Ave • Bronx, NY 10474  
 Phone: 718-893-3900 • Fax: 718-842-3093  
 Email: info@summitappliance.com