

# T30BB915SS

## 30-INCH STAINLESS STEEL BUILT-IN 2-DOOR BOTTOM FREEZER, PRE-ASSEMBLED

FREEDOM® COLLECTION, MASTERPIECE® SERIES HANDLES



Also Available In:  
T30BB925SS – Professional Series Handles

### FEATURES & BENEFITS

- Full Stainless Steel Inner Liner
- Freedom® Hinge enables true flush design
- Auto Door Opening provides the opening of the door with just a slight push or pull
- ThermaFresh System, Humidity and Temperature controlled drawers
- SoftClose® Drawers for easy and controlled storage
- Sleek clean design for the perfect symmetry when paired with additional columns
- TFT control panel managing all your columns functions

### TEMPERATURE RANGES

Refrigerator	36°F (2°C) to 46°F (8°C)
SuperCool	36°F (2°C) for approximately 6 hours
Energy Saving (Economy) Mode	Refrigerator: 45°F (7°C) Freezer: 3°F (-16°C)
Freezer	-11°F (-24°C) to 7°F (-14°C)
SuperFreeze®	-22°F (-30°C) for approximately 52 hours

### GENERAL PROPERTIES

Home Connect™ (Wi-Fi Enabled)	Yes
Reversible Door Swing	Yes
SoftClose® Door	Yes*
SoftClose® Drawers	Yes
Carbon Air Filter	Yes
Lighting	LED Sidewall and Theater Lighting
Refrigerator Shelves	3
Adjustable Shelves – Refrigerator	2
Shelf Material	Glass w/Aluminum Profile
Full Extension Drawers @ 115° Door Opening Angle	Yes
Full Extension Drawers @ 90° Door Opening Angle	Yes
Adjustable Temperature Drawer	1
Humidity Managed Drawer	1
Door Bins – Refrigerator	2
Gallon Door Bins – Refrigerator	1
Defrost Process – Freezer	Frost-Free
Freezer Baskets	2
Ice Maker with Diamond Ice System	Yes
Door Open Alarms	Yes
Open Door Assist	Yes
SuperCool	Yes
SuperFreeze®	Yes
Special Modes	Sabbath, Economy, Vacation

### CAPACITY

Total Capacity (cu. ft.)	16.0 cu. ft.
Refrigerator Capacity (cu. ft.)	11.5 cu. ft.
Freezer Capacity (cu. ft.)	4.5 cu. ft.

### TECHNICAL DETAILS

Watts (W)	350 W
Current (A)	15 A
Volts (V)	110-120 V
Frequency (Hz)	60 Hz
Power Cord Length (in.)	118
Plug Type	120V-3 Prong

### DIMENSIONS & WEIGHT

Appliance Dimensions (H x W x D) (in.)	83 3/4"*** x 29 3/4" x 24 3/4"
Required Cutout Size (H x W x D) (in.)	84" x 30" x 25"
Net / Gross Weight (lbs)	481 / 523 lbs

### EFFICIENCY

ENERGY STAR® Qualified	Yes
Annual Energy Consumption	470 kWh

\*To verify if you have a refrigeration unit with Soft-Close capability please contact our customer team by calling 1-800-735-4328.

\*\*Height adjustable + / -1/2" (+ / -13 mm)

# T30BB915SS

## 30-INCH STAINLESS STEEL BUILT-IN 2-DOOR BOTTOM FREEZER, PRE-ASSEMBLED

FREEDOM® COLLECTION, MASTERPIECE® SERIES HANDLES

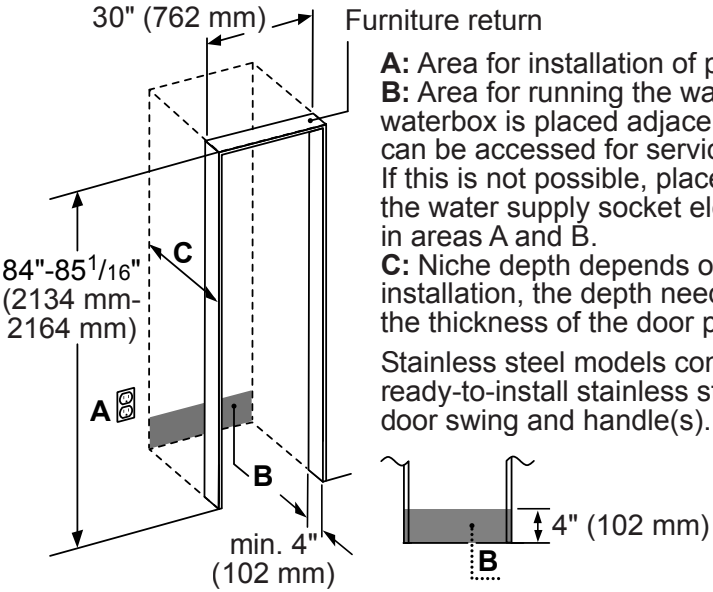


### WARRANTY

Limited, Entire Appliance, Parts and Labor on Any Part of the Refrigerator that Fails Because of a Manufacturing Defect	2 Year
Limited Warranty for Sealed Refrigeration System*; Parts and Labor	3rd to 6th Year
Limited Warranty for Sealed Refrigeration System*; Parts Only	7th to 12th Year
Limited Warranty for Stainless Steel Rust-Through	Lifetime

\*Sealed refrigeration system includes compressor, evaporator, condenser, dryer / strainer and connection tubing

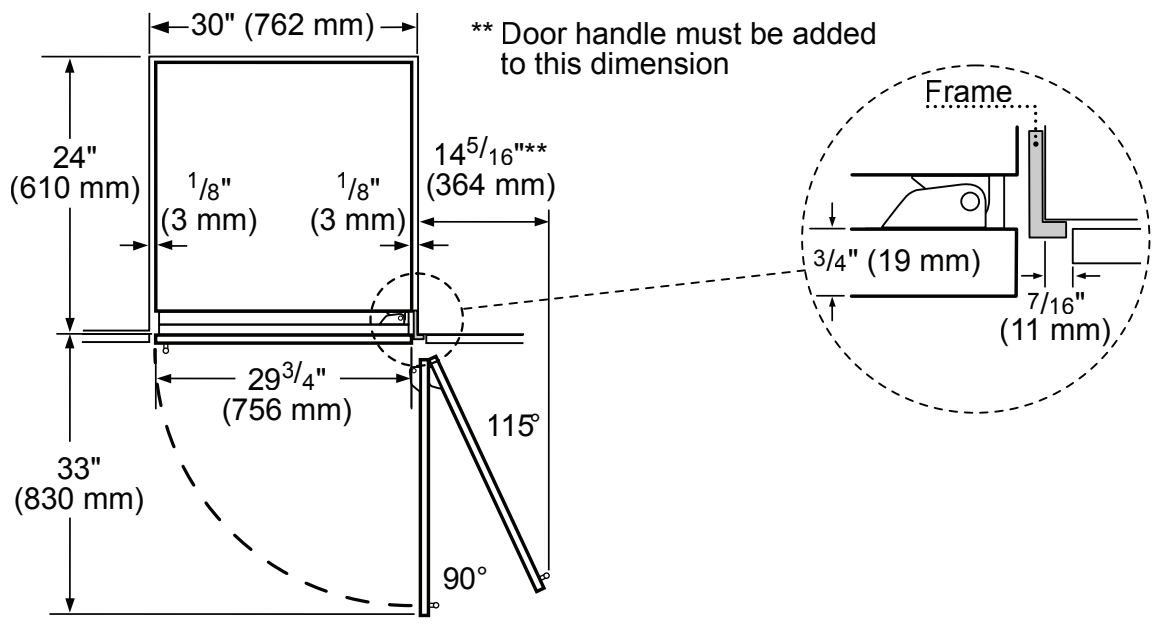
### CUTOUT DIMENSIONS



**A:** Area for installation of power connection.  
**B:** Area for running the water line. It is recommended that the waterbox is placed adjacent to the installation cavity, so that it can be accessed for service without uninstalling the appliance. If this is not possible, place the recessed waterbox adjacent to the water supply socket elevated at the heights as referenced in areas A and B.  
**C:** Niche depth depends on kitchen design. For a flush installation, the depth needs to be at least 24 inches plus the thickness of the door panel.

Stainless steel models contain a panel-ready base unit, ready-to-install stainless steel door(s) with a right or left door swing and handle(s).

### TOP VIEW CLEARANCE



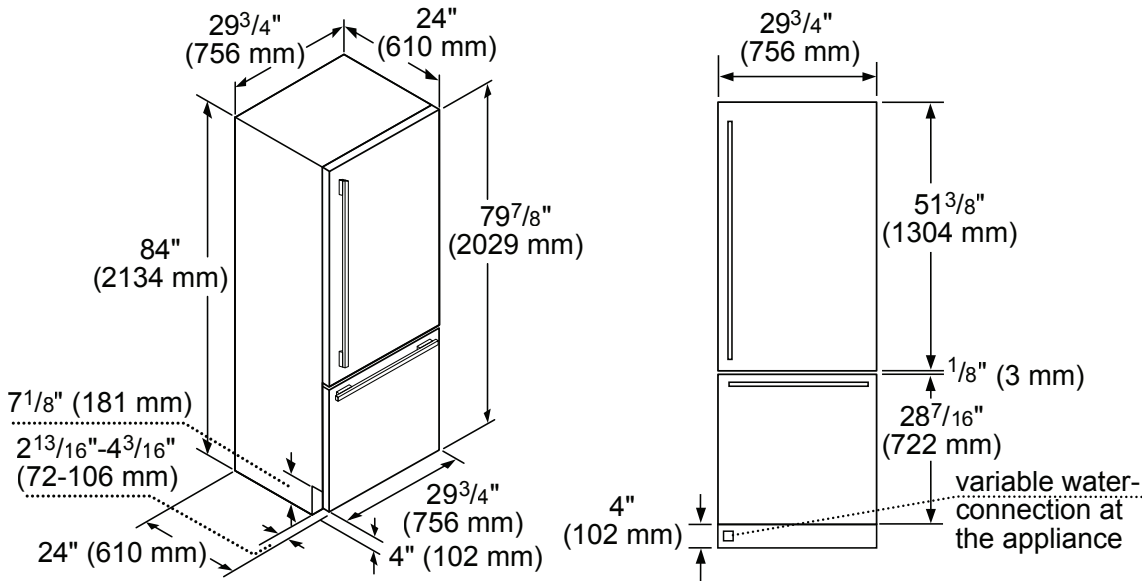
# T30BB915SS

## 30-INCH STAINLESS STEEL BUILT-IN 2-DOOR BOTTOM FREEZER, PRE-ASSEMBLED

FREEDOM® COLLECTION, MASTERPIECE® SERIES HANDLES



### PRODUCT AND PANEL DIMENSIONS



### ACCESSORIES (OPTIONAL)

#### STORAGE



**30HFGALBIN**  
30-Inch Half Gallon Bin



**LPRODBIN10**  
Large Produce Bin



**30PRODRAIL**  
30-Inch Produce Railing

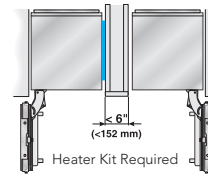
#### FILTERS



**REPLFLTR55**  
Freedom® Water Filter  
Replacement water filter  
for use in all freezer and  
bottom freezer models

#### FRAMEKIT10

Freedom® Frame Kit  
For any custom column installation  
in 24-inch deep cutouts. With two  
metal side trims whose placement  
between the interior cutout wall and  
the appliance helps overcome the  
challenge of unfinished cabinet returns.



#### HEATRKIT20 – 13W @ 120V

Freedom® Heater Kit  
When two appliances are installed side-by-side  
a sealing kit must be used. For combinations  
that involve a freezer column, this sealing  
kit is included. For all other (non-traditional,  
i.e. two wine columns, two bottom freezers,  
etc.) side-by-side combinations or instances  
where any appliances are installed less than  
6-inches (152 mm) apart from one another  
but not connected side-by-side, purchase  
this kit. This kit is recommended for use with  
any installation in areas that are subject to  
humidity, or located next to an outside wall.

These warranties give you specific legal rights and you may have other rights that vary from state to state. Limited warranty from date of purchase. For complete warranty details, refer to your Use & Care manual, or ask your dealer.

Specifications are for planning purposes only. Refer to installation instructions and consult your countertop supplier prior to making counter opening. Consult with a heating and ventilation engineer for your specific ventilation requirements. For the most detailed information, refer to installation instructions accompanying product or write to Thermador indicating the model number. Specifications are correct at time of printing. Thermador reserves the right to change product specifications or design without notice. Some models are certified for use in Canada. Thermador is not responsible for products that are transported from the U.S. for use in Canada.