

### **DWHD650JFP Stainless steel**

- Professional Handle and Fully Flush Stainless Steel Panel
- Sapphire 24"
- 6 Programs and 5 options
- DWHD650JFP

#### **Quality**

- Sapphire Glow™ internal light illuminates glassware
- Blue PowerBeam® operating indicator lets you know when the unit is running
- Flexible 3rd Rack delivers added loading capacity as well as adjustability to accommodate larger items, wider ends and utensil handles
- Flexible Folding Tines fold down to accommodate larger pots, pans and dishes and add flexibility to hold items twice as wide as standard models and significantly wider than competitors
- Dosage Assist optimizes break down of detergent tablets

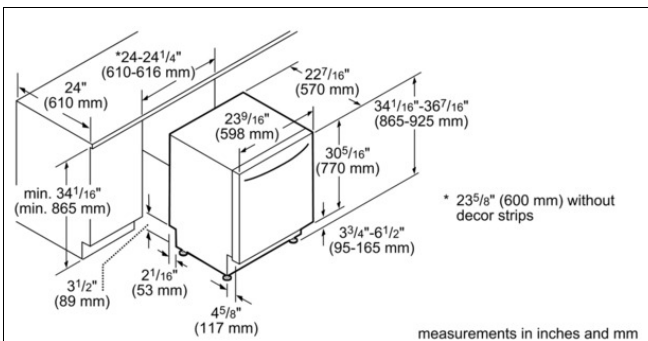
#### **Performance**

- Crystal Protection™ System ensures perfect results for fine crystal
- PowerBoost® option increases temperature and pressure in the lower rack for the ultimate in heavy-duty cleaning
- Sens-A-Wash® ensures superior washing and drying guaranteed
- Extra Dry option ensures perfectly dry dishes
- Hand Wash allows you to delicately wash fine items and wine glasses
- Powerfully Quiet® - 42 dBA for peaceful kitchen experience
- ENERGY STAR® Qualified - uses only 260kWh/Yr
- Extra-Tall-Item™ Sprinkler allows large items (22" high) to be washed

#### **Design**

- Professional Handle
- Stainless Steel Control Panel
- Sleek charcoal-grey racks with height-adjustment ability for added flexibility
- Blue LED Display
- 18/10 high-grade stainless steel interior offers long-lasting reliability, never rusts and resists nicks and chips
- Silver Painted Toe Kick

#### **Optional accessories**



measurements in inches and mm

Drain hose:  
63" / 160 cm  
(141 1/2" / 360 cm)

Water inlet hose:  
55" / 140 cm  
(141 1/2" / 360 cm)

Electrical junction box:  
47 1/2" / 120 cm



All connections in the rear of the appliance.  
( ) values with extension kit.

Drain hose:  
59" / 150 cm  
(137 1/2" / 350 cm)

Water inlet hose:  
47" / 120 cm  
(133 1/2" / 340 cm)

Electrical junction box:  
63" / 160 cm

### Product Features

- Upper Rack: mid
- Adjustable upper rack: Rackmatic 3-stage
- Upper rack cup shelf: 2
- Lower Rack: high
- Lower rack cup shelf: 2
- 3rd Rack: 3rd Rack 2.0
- Silverware Basket: Standard
- Accessories Parts: baking-sheet spray head grey
- Optional accessories: SGZ1010UC, SGZ9091UC, SMZ5000, SMZ5002UC

### Consumption and connection features

- UPC code: 825225900269
- Variant color: Stainless steel
- Panel ready: No
- Alternative colors available:
- Silence level (dBA): 42
- Watts (W): 1300
- Current (A): 12
- Volts (V): 120
- Frequency (Hz): 60
- Energy Consumption (kWh/yr): 260
- Energy Star® qualified: Yes
- Plug type: 120V-3 prong
- Required cutout size (HxWxD) (in): 34 1/16" x 24 " x 24 "
- Required cutout size (HxWxD) (mm): 865 x 610 x 610
- Overall appliance dimensions (HxWxD) (in): 34 1/16 " x 23 9/16 " x 22 7/16 "
- Power cord length (in): 47 1/4"
- Power cord length (cm): 120.0
- Length outlet hose (in): 55 1/8 "
- Length outlet hose (cm): 170
- Length inlet hose (in): 55 1/8"
- Length inlet hose (cm): 140
- Product packaging dimensions (HxWxD) (in): 36 13/16" x 26" x 28"
- Tube material: Stainless steel
- Tube type: TallTub
- ADA Compliant: No
- Number of place settings: 14

2013-07-12