

MB30WS

30-INCH BUILT-IN MICROWAVE

MASTERPIECE® SERIES



FEATURES & BENEFITS

- Built-in microwave is the perfect companion for any Thermador wall oven
- Specially crafted gray glass on stainless steel for a luxurious look and finish
- 950 watts microwave power and 10 microwave power level
- Sensor cooking programs measure humidity and adjust cooking level and cooking time
- Designed for flexibility – standard or flush installation into kitchen cabinets



GENERAL PROPERTIES

Cavity Color	Stainless Steel
Microwave Power (W)	950 W

Modes

(10) Baked Potato, Sweet Potato, Fresh Vegetable, Frozen Vegetable, Ground Meat, Fish/Seafood, Brown Rice, White Rice, Frozen Entrées, Reheat

CAPACITY

Cavity Capacity (cu. ft.)	1.6 cu. ft.
---------------------------	-------------

TECHNICAL DETAILS

Watts (W)	1,650 W
Circuit Breaker (A)	15 A
Volts (V)	120V
Frequency (Hz)	60 Hz
Plug Type	NEMA 5-15 – 3 prong
Power Cord Length (in.)	59"

DIMENSIONS & WEIGHT

Overall Appliance Dimensions (HxWxD) (in.)	19 5/8" x 29 3/4" x 19 5/8"
Required Cutout Size (HxWxD) (in) – Standard Install	19 1/4" x 28 1/2" x 19 1/4"
Required Cutout Size (HxWxD) (in) – Flush Install	20 1/8" x 30" x 20 3/4"
Oven Overall Interior Dimensions (HxWxD) (in.)	9 7/8" x 16 1/2" x 16 1/2"
Turntable Diameter (in.)	14 1/8"
Net Weight (lbs)	75 lbs.

ACCESSORIES (INCLUDED)

Glass turntable, square rack

WARRANTY

Limited Warranty, Entire Appliance, Parts and Labor	2 Year
---	--------

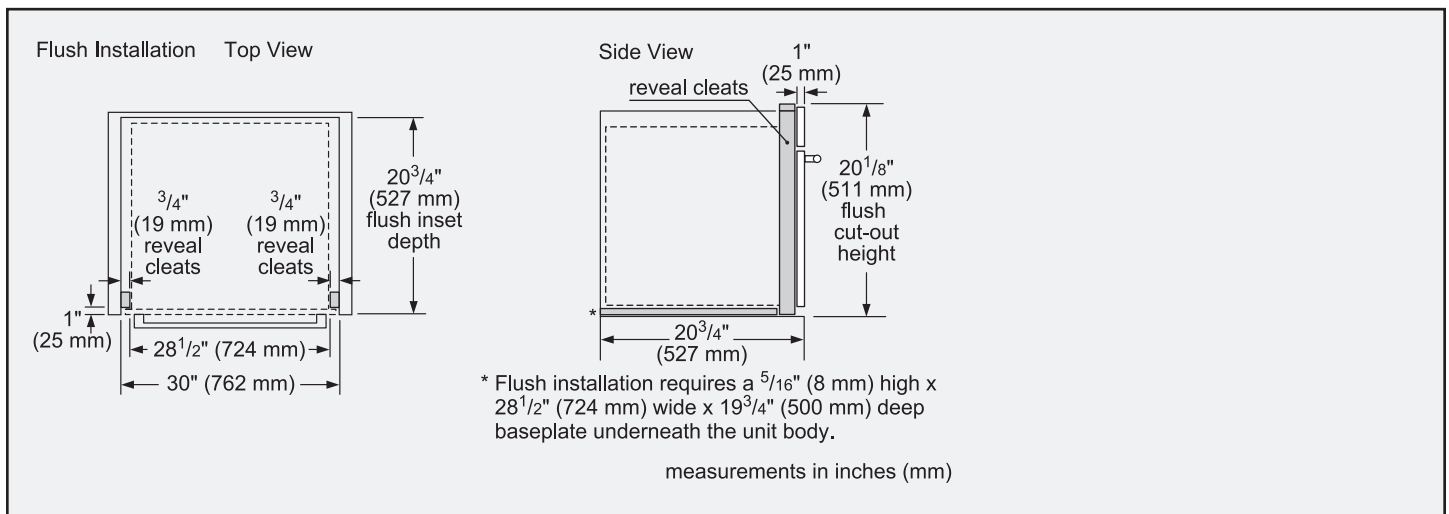
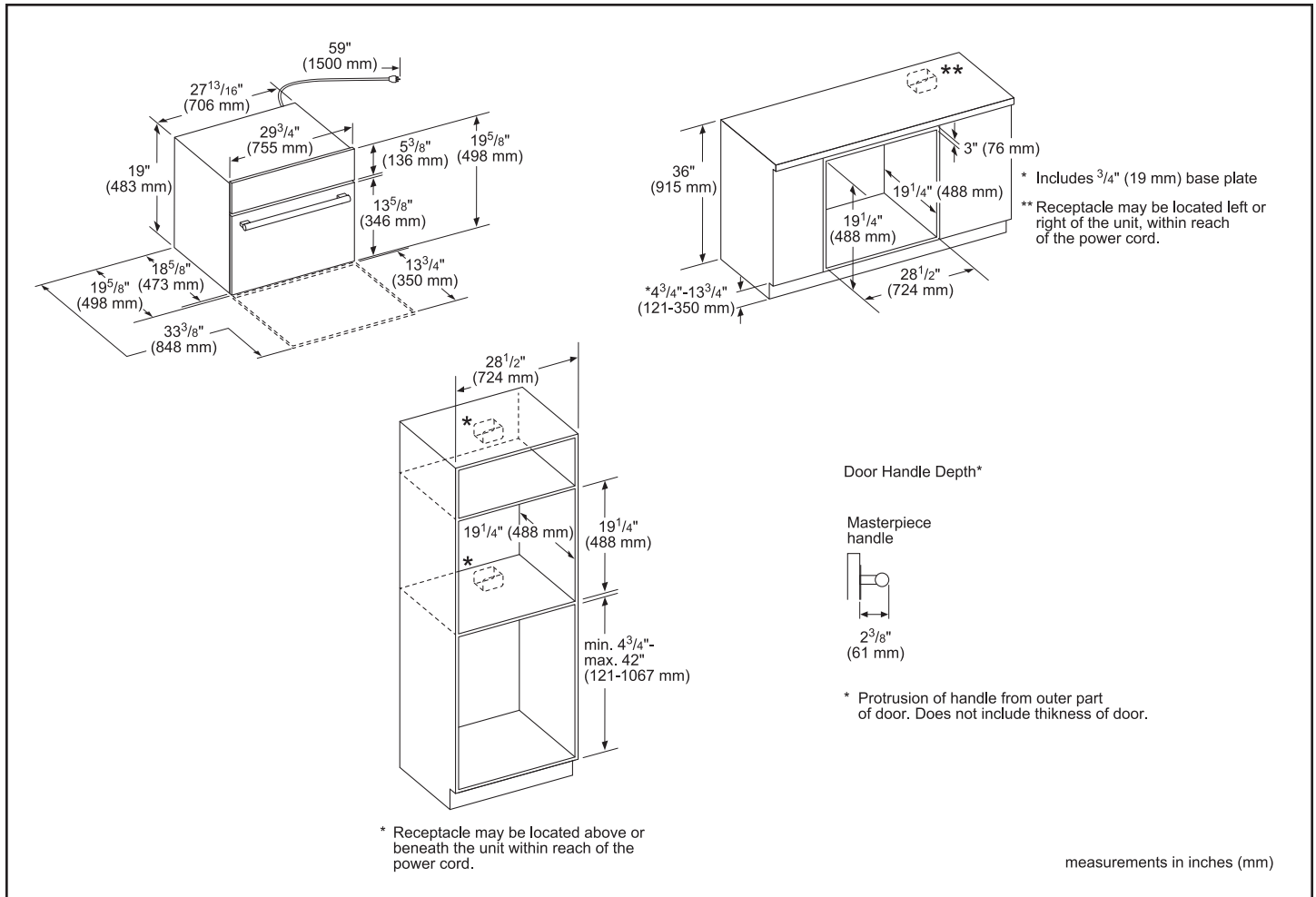
MB30WS

30-INCH BUILT-IN MICROWAVE

MASTERPIECE® SERIES



INSTALLATION DETAILS



MB30WS

30-INCH BUILT-IN MICROWAVE

MASTERPIECE® SERIES



INSTALLATION DETAILS

Standard Side-by-Side Installation

measurements in inches (mm)

Flush Side-by-Side Installation

Combination Type	A Left reveal cleat	B Right reveal cleat	C cut-out width	D cut-out width
Flush Bottom hinge	3/4" (19 mm)	3/4" (19 mm)	29 1/4" (743 mm)	29 1/4" (743 mm)
Flush Side Hinge (Left)	1 1/2" (38 mm)	N/A*	30" (762 mm)	N/A*
Flush Side Hinge (Right)	N/A*	1 1/2" (38 mm)	N/A*	30" (762 mm)

*Installation not recommended

measurements in inches (mm)

Standard Installation Over Single Oven

- * Junction box may be located above or next to the unit within the reach of the power cable.
- ** Junction box may be located below (depending on space) or next to the unit within the reach of the power cable.
- *** Most combinations available as combo oven (one cut-out, one electrical hook-up).

Minimum dimension between cut-out:

- 1" (25 mm) for wall oven cut-out height of 28 5/8" (727 mm)
- 2 5/8" (67 mm) for wall oven cut-out height of 27" (686 mm).

min. 4 3/4" (121 mm) max. 18" (456 mm)

measurements in inches (mm)

Flush Installation Over Single Oven

Side View

***Flush installation requires a base plate underneath the body: 30" products—Dimensions: H 5/16" (8 mm) x W 28 1/2" (724 mm) x D 22 1/2" (571 mm)

minimum 1/2" (13 mm) required between cut-out*

*IMPORTANT: Base has to be able to support the weight of the oven. Please check oven manual for minimum weight requirements.

**Most combinations available as combo oven (one cut-out, one electrical hook-up).

measurements in inches (mm)

These warranties give you specific legal rights and you may have other rights that vary from state to state. Full warranty and limited warranty from date of installation. For complete warranty details, refer to your Use & Care manual, or ask your dealer.

Specifications are for planning purposes only. Refer to installation instructions and consult your countertop supplier prior to making counter opening. Consult with a heating and ventilation engineer for your specific ventilation requirements. For the most detailed information, refer to installation instructions accompanying product or write to Thermador indicating the model number. Specifications are correct at time of printing. Thermador reserves the right to change product specifications or design without notice. Some models are certified for use in Canada. Thermador is not responsible for products that are transported from the U.S. for use in Canada.