

INSTALLATION INSTRUCTIONS



Built-in MicroDrawer® Microwave Oven

INSTALLATION INSTRUCTIONS

Built-In MicroDrawer® Microwave Oven
Four à micro-ondes MicroDrawer® encastré
Horno MicroDrawer® Incorporado

Models / Modèles / Modelos:
MD24JS
MD30RS

Table of Contents

SAFETY DEFINITIONS..... 2

IMPORTANT SAFETY INSTRUCTIONS 3-5

SAFETY CODES AND STANDARDS 3

GROUNDING INSTRUCTIONS 3

CLEARANCES AND DIMENSIONS 3

UNPACKING YOUR MICRODRAWER®

MICROWAVE OVEN 6

IMPORTANT NOTES TO THE INSTALLER 6

IMPORTANT NOTES TO THE CONSUMER 6

MICRODRAWER® MICROWAVE OVEN

MEASUREMENTS..... 7-8

ANTI-TIP BLOCK..... 9

ELECTRICAL REQUIREMENTS..... 9

DRAWER INSTALLATION..... 10

BSH HOME APPLIANCES CORPORATION SUPPORT... 10

▲ WARNING

- Installation must be performed by a qualified installer.
 - **INSTALLER:** Leave these instructions with the appliance after installation.
 - **IMPORTANT:** Save this installation manual for local electrical inspector's use.
 - **HOMEOWNER:** Please read and save these instructions for future reference.
-

▲ WARNING

If the information in this manual is not followed exactly, fire or shock may result causing property damage or personal injury.

Safety Definitions

▲ WARNING

This indicates that death or serious injuries may occur as a result of non-observance of this warning.

▲ CAUTION

This indicates that minor or moderate injuries may occur as a result of non-observance of this warning.

NOTICE: This indicates that damage to the appliance or property may occur as a result of non-compliance with this advisory.

Note: This alerts you to important information and/or tips.

IMPORTANT SAFETY INSTRUCTIONS

READ ALL INSTRUCTIONS BEFORE USING THE APPLIANCE

Safety Codes and Standards

This appliance complies with the latest version of one or more of the following standards:

- CAN/CSA C22.2 No. 61 - Household Cooking Ranges
- UL 858 - Household Electric Ranges
- CAN/CSA C22.2 No. 150 - Microwave Ovens
- UL 923 - Microwave Cooking Appliances
- UL 507 - Electric Fans
- CAN/CSA C22.2 No. 113 - Fans and Ventilators
- CSA C22.2 No. 64 - Household Cooking and Liquid-Heating Appliances
- UL 1026 - Electric Household Cooking and Food Serving Appliances

It is the responsibility of the owner and the installer to determine if additional requirements and/or standards apply to specific installations.

Grounding Instructions

This appliance must be grounded. In the event of an electrical short circuit, grounding reduces the risk of electric shock by providing an escape wire for the electric current. This appliance is equipped with a cord having a grounding wire with grounding plug. The plug must be plugged into a outlet that is properly installed and grounded.

WARNING

Improper grounding can result in a risk of electric shock.

Consult a qualified electrician if the grounding instructions are not completely understood, or if doubt exists as to whether the appliance is properly grounded.

Do not use an extension cord. If the power supply cord is too short, have a qualified electrician install an outlet near the appliance.

The installer must perform a ground continuity check on the power outlet box before beginning the installation to insure that the outlet box is properly grounded. If not properly grounded, or if the outlet box does not meet Electrical Requirements, a qualified electrician should be employed to correct any deficiencies.

Clearances and Dimensions

- For safety considerations do not install drawer in any combustible cabinetry which is not in accord with the stated clearances and dimensions in the "MicroDrawer® Microwave Oven Measurements" section following. See Figure 3 (standard installation) or Figure 4 (flush installation).
- Dimensions that are shown in Figure 3 (standard installation) or Figure 4 (flush installation) must be used. Given dimensions provide minimum clearance. Locate electrical outlet in the shaded area in the upper left-hand corner of the cutout. See Figure 6.
- Supporting surface must be solid and level. Pay special attention to the floor of the cabinet opening on which the MicroDrawer® microwave oven will sit. The floor of the opening should be constructed of plywood strong enough to support the weight of the oven (approximately 100 pounds).
- Check the location where the MicroDrawer® microwave oven will be installed for proper electrical supply.
- Your oven can be built into a cabinet or wall as a stand-alone unit or under a built-in gas or electric wall oven and the followings:

GAS COOKTOPS	ELECTRIC COOKTOPS	INDUCTION COOKTOPS
SGSX365FS SGSX305FS PCG304G	CES365FS CET304FS	CIT365KBB CIT304KB

- Check to be sure that there is a clearance of 2 inches or greater between the top of the MicroDrawer® microwave oven unit and the bottom of a built-in wall oven above it.
- The microwave interior will accommodate a 9" x 13" oblong dish or a bag of microwave popcorn.

IMPORTANT SAFETY INSTRUCTIONS

READ ALL INSTRUCTIONS BEFORE USING THE APPLIANCE

INSTALLER: LEAVE THESE INSTRUCTIONS WITH THE APPLIANCE AFTER INSTALLATION IS COMPLETE.

IMPORTANT: SAVE THESE INSTRUCTIONS FOR THE LOCAL ELECTRICAL INSPECTOR'S USE.

WARNING

If the information in this manual is not followed exactly, fire or shock may result causing property damage or personal injury.

WARNING

Do not repair, replace or remove any part of the appliance unless specifically recommended in the manuals. Improper installation, service or maintenance can cause injury or property damage. Refer to this manual for guidance. All other servicing should be done by a qualified technician.

Appliance Handling Safety

Unit is heavy and requires at least two people or proper equipment to move.

Do not lift appliance by door handle.

Hidden surfaces may have sharp edges. Use caution when reaching behind or under appliance.

State of California Proposition 65

WARNING

This product contains chemicals known to the State of California to cause cancer, birth defects or other reproductive harm.

Electric Safety

WARNING

Before you plug in an electrical cord or turn on power supply, make sure all controls are in the OFF position.

WARNING

The appliance must be disconnected from the source of supply before attempting the installation.

For appliances equipped with a cord and plug, do not cut or

remove the ground prong. It must be plugged into a matching grounding type receptacle to avoid electrical shock. If there is any doubt as to whether the wall receptacle is properly grounded, the customer should have it checked by a qualified electrician.

If required by the National Electrical Code (or Canadian Electrical Code), this appliance must be installed on a separate branch circuit.

Installer – show the owner the location of the circuit breaker or fuse. Mark it for easy reference.

Before installing, turn power OFF at the service panel. Lock service panel to prevent power from being turned ON accidentally.

Be sure your appliance is properly installed and grounded by a qualified technician. Installation, electrical connections and grounding must comply with all applicable codes.

Microwave Safety

PRECAUTIONS TO BE OBSERVED BEFORE AND DURING SERVICING TO AVOID POSSIBLE EXPOSURE TO EXCESSIVE MICROWAVE ENERGY

- Do not operate or allow the oven to be operated with the door open.
- Make the following safety checks on all ovens to be serviced before activating the magnetron or other microwave source, and make repairs as necessary:
 1. Interlock operation
 2. Proper door closing
 3. Seal and sealing surfaces (arcing, wear, and other damage)
 4. Damage to or loosening of hinges and latches
 5. Evidence of dropping or abuse
- Before turning on microwave power for any service test or inspection within the microwave generating compartments, check the magnetron, wave guide or transmission line, and cavity for proper alignment, integrity, and connection.
- Any defective or misadjusted components in the interlock, monitor, door seal, and microwave generation and transmission systems shall be repaired, replaced, or adjusted by procedures described in this manual before the oven is released to the owner.
- A microwave leakage check to verify compliance with the Federal Performance Standard should be performed on each oven prior to release to the owner.

IMPORTANT SAFETY INSTRUCTIONS

READ ALL INSTRUCTIONS BEFORE USING THE APPLIANCE

Related Equipment Safety

Remove all tape and packaging before using the appliance. Destroy the packaging after unpacking the appliance. Never allow children to play with packaging material.

Never modify or alter the construction of the appliance. For example, do not remove leveling legs, panels, wire covers or anti-tip brackets/screws.

WARNING

To reduce the risk of fire, use only metal ductwork.

CAUTION

For general ventilating use only. Do not use to exhaust hazardous or explosive materials and vapors.

Unpacking Your MicroDrawer® Microwave Oven

- Remove all packing materials from inside the MicroDrawer® microwave oven. **DO NOT REMOVE THE WAVEGUIDE COVER.** The Waveguide cover is a cardboard-like dark grey sheet about 9x10 inches that is attached to the MicroDrawer® microwave oven ceiling.
- Check the drawer for any damage, such as misaligned or bent drawer, damaged drawer seals and sealing surfaces, broken or loose drawer guides and dents inside the cavity or on the front side of the drawer. If there is any damage, do not operate the MicroDrawer® microwave oven and contact your dealer or a THERMADOR® AUTHORIZED SERVICER.

Important Notes To The Installer

- Read and understand the contents of this Installation Manual before installing the MicroDrawer® microwave oven.
- Remove all packing material before connecting the electrical supply.
- It is the responsibility of the owner and the installer to assure compliance with all applicable safety codes and standards. See UL 923, The Microwave Cooking Appliances.
- The unit may be installed using a standard or flush (inset) installation per the following instructions.
- Be sure to leave these instructions with the consumer.

Important Notes To The Consumer

Keep this manual with your Use and Care Guide for future reference.

- As when using any microwave oven generating heat, there are certain safety precautions you should follow. These are listed in the Use and Care Guide. Read all and follow carefully.

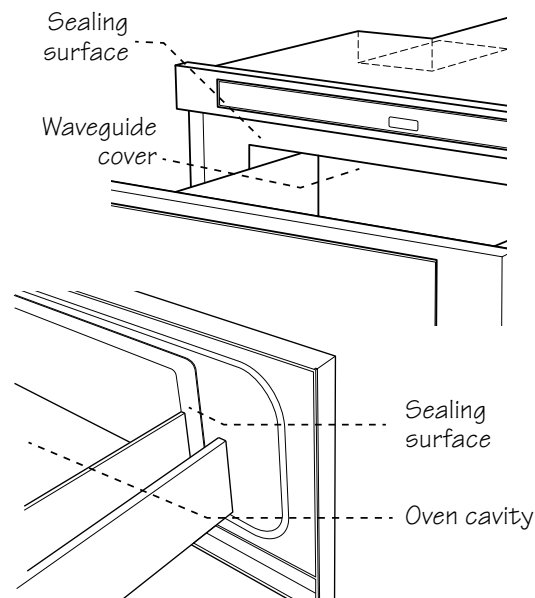


Figure 1

▲ WARNING

The appliance should only be installed by a licensed electrician or a qualified technician.

MicroDrawer® Microwave Oven Measurements

FLUSH INSTALLATION DIMENSIONS AND CLEARANCES

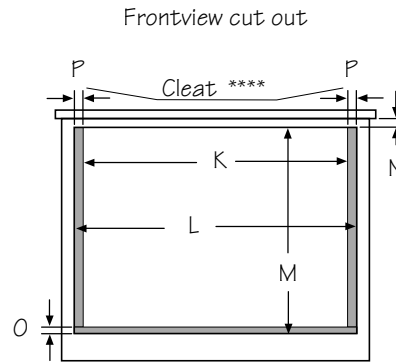
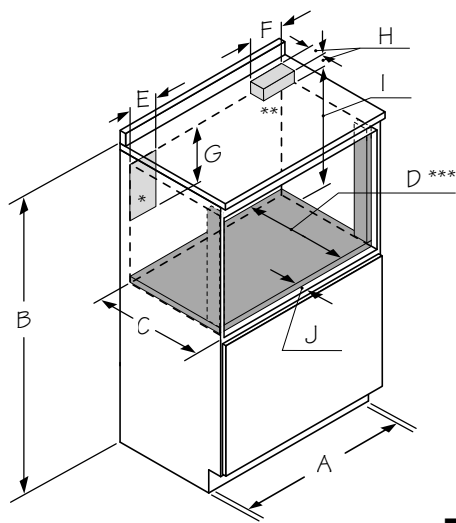


Figure 4

- * Suggested location of electrical outlet
- ** Anti-Tip Block
- *** Base should support up to 100 lbs
- **** Sides should be finished and extend back to cleat. Cleats should also be finished, as they may be visible after installation. (Cleats are not included with unit.)

A. MD24JS (24")	27" (686 mm)
MD30RS (30")	30 5/16" (770 mm)
B. 36" (914 mm)	
C. 23 1/2" (597 mm)	
D. 21 7/8" (555 mm)	base min. depth
E. 4" (102 mm)	
F. 6" (152 mm)	
G. 5" (127 mm)	
H. 3 1/2" (89 mm)	
I. 14 5/8" (371 mm)	
J. 1 5/8" (41 mm)	

K. MD24JS (24")	22 1/8" (562 mm)
MD30RS (30")	28 5/16" (719 mm)
L. MD24JS (24")	24 3/16" (614 mm)
MD30RS (30")	30 5/16" (770 mm)
M. 16 5/8" (422 mm)	cutout
N. 1/2" (13 mm)	visible area
O. 1/4" (6 mm)	base thickness
P. 1" (25 mm)	

Figures 2, 3 and 4 contain many MicroDrawer® microwave oven measurements for reference when planning the drawer's location.

This MicroDrawer® microwave oven can be installed below any electric or gas wall oven.

NOTICE: Always allow sufficient power cord length to the electrical outlet to prevent tension.

Always check electrical codes for requirements.

Anti-Tip Block

NORMAL INSTALLATION STEPS

Anti-Tip Block Installation Instructions

The 6-inch Anti-Tip wooden block must be provided by the installer. The anti-tip block reduces the risk of drawer tipping when installed properly. Install the anti-tip block 14 13/16 inches above the installation opening floor (where the unit will sit) for a standard installation or 14 5/8 inches for a flush installation. See Figure 3 (standard installation) or Figure 4 (flush installation) and Figure 5. The Anti-Tip block prevents serious injury that might result from spilled hot liquids.

If the MicroDrawer® microwave oven is ever moved to a different location, the Anti-Tip block must also be moved and installed. If the anti-tip block is to be anchored to the wall make certain that the screws holding it penetrate into the structural members (studs) behind any covering such as drywall.

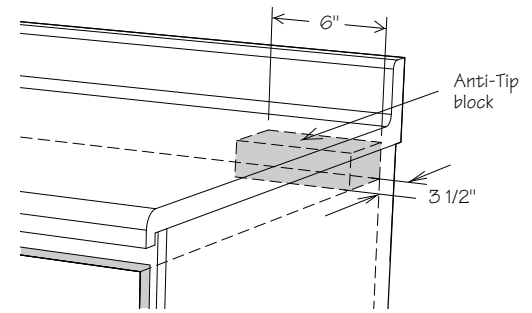


Figure 5

⚠ CAUTION

Make sure that the screws do not contact any wiring or plumbing that may be present in the wall.

⚠ WARNING

The unit can tip and cause spills and potential burns or other injuries if the anti-tip block is not installed correctly.

Electrical Requirements

The unit requires a 120 volt, 60 Hz, 15 AMP (minimum) circuit. It is recommended that the unit be installed to a separate circuit that serves only this appliance.

This appliance is fitted with a 3-prong grounded electrical plug. Do not modify the plug or use an adapter. If the plug does not fit with the available receptacle, have a licensed electrician install a properly grounded outlet before proceeding with the installation.

Note: If you have any questions about the grounding or electrical instructions, consult a qualified electrician.

* Can also be installed using an electrical outlet in an adjacent cabinet within the area where the provided electrical cord can reach.

Always check electrical codes for requirements.

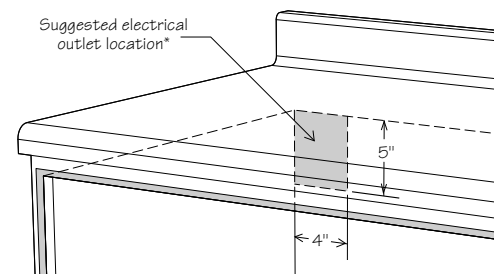


Figure 6

Drawer Installation

1. Place the drawer adjacent to the wall or cabinet opening. Plug the power supply cord into the electrical outlet.
2. Carefully guide the drawer into the prepared opening. Avoid pinching the cord between the oven and the wall.
3. Slide the drawer all the way until the mounting flange makes contact with the face of the cabinet for standard installation or side cleats for flush installation. See Figure 7A.
4. Open the drawer. Using the 4 holes on the drawer as a template, pre drill the cabinet using a 1/16" bit. See Figure 7A.
5. Secure the drawer with the 4 screws supplied. See Figure 7B.

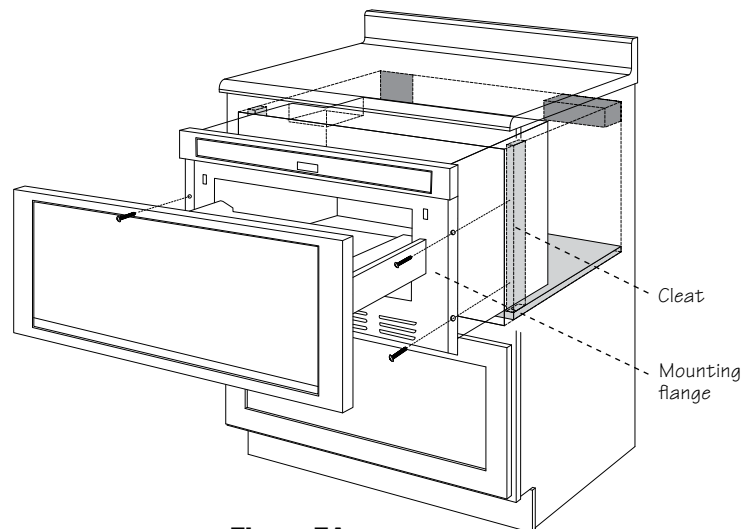


Figure 7A

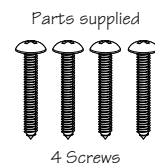


Figure 7B

BSH Home Appliances Corporation Support

Service

We realize that you have made a considerable investment in your kitchen. We are dedicated to supporting you and your appliance so that you have many years of creative cooking.

Please don't hesitate to contact our STAR® Customer Support Department if you have any questions or in the unlikely event that your THERMADOR® appliance needs service. Our service team is ready to assist you.

www.thermador.com/support

800-735-4328

Parts & Accessories

Parts, filters, descalers, stainless steel cleaners and more can be purchased in the THERMADOR® eShop or by phone.

www.thermador-eshop.com

Table des matières

DÉFINITIONS DE SÉCURITÉ.....	1	REMARQUES IMPORT ANTES AU CLIENT	5
IMPORTANTES CONSIGNES DE SÉCURITÉ.....	2-4	MESURES POUR LE FOUR À MICRO-ONDES	
CODES ET NORMES DE SÉCURITÉ.....	2	MICRODRAWER®	6-7
INSTRUCTIONS DE MISE A LA TERRE	2	BLOC ANTI-BASCULEMENT	8
DÉGAGEMENTS ET DIMENSIONS	2	PRISE DE COURANT	8
DÉBALLAGE DE VOTRE FOUR À MICRO-ONDES		INSTALLATION DU TIROIR	9
MICRODRAWER®	5	ASSISTANCE DE LA SOCIÉTÉ D'APPAREILS	
REMARQUES IMPORT ANTES À L'INSTALLATEUR.....	5	DOMESTIQUES BSH	9

AVERTISSEMENT

- Installation doivent être effectués par un installateur qualifié.
 - INSTALLATEUR: Laissez ces instructions avec l'appareil après l'installation.
 - IMPORTANT: Conservez ce manuel d'installation pour l'inspecteur local électrique.
 - PROPRIÉTAIRE: S'il vous plaît lire et conserver ces instructions pour référence ultérieure.
-

AVERTISSEMENT

Si les informations contenues dans ce manuel ne sont pas suivies à la lettre, un incendie ou un choc peuvent causer des dommages matériels ou corporels.

Définitions de Sécurité

AVERTISSEMENT

Le non-respect de cet avertissement peut entraîner la mort ou des blessures graves.

ATTENTION

Le non-respect de cet avertissement peut entraîner des blessures mineures ou modérées.

AVIS : Vous indique que des dommages à l'appareil ou aux biens peuvent survenir si vous ne respectez pas cet avertissement.

Remarque : Vous signale des informations importantes ou des conseils.

IMPORTANTES CONSIGNES DE SÉCURITÉ

LIRE TOUTES LES INSTRUCTIONS AVANT D'UTILISER L'APPAREIL

Codes et normes de sécurité

Cet appareil est conforme à une ou plusieurs des normes suivantes :

- CAN/CSA C22.2 No. 61 - Cuisinières pour usage ménager
- UL 858 - Cuisinières électriques domestiques
- CAN/CSA C22.2 No. 150 - Micro-ondes
- UL 923 - Appareils de cuisson à micro-ondes
- UL 507 - Ventilateurs électriques
- CAN/CSA C22.2 No. 113 - Ventilateurs et soufflantes
- CSA C22.2 No. 64 - Cuisine et appareils ménagers de chauffage de liquides
- UL 1026 - Électrodomestiques cuisine et de l'alimentation de service Appareils

Il incombe au propriétaire et à l'installateur de déterminer si des exigences et/ou normes additionnelles s'appliquent pour des installations spécifiques.

Instructions de mise a la terre

Cet appareil doit être mis à la terre. En cas de court circuit électrique, la mise à la terre réduit les risques de choc électrique en permettant au courant de s'échapper par le fil de mise à la terre. Cet appareil est équipé d'un cordon d'alimentation avec fil de mise à la terre et d'une fiche de mise à la terre. La fiche doit être branchée dans une prise murale installée correctement et mise à la terre.

AVERTISSEMENT

Une mauvaise mise à la terre peut entraîner un risque de choc électrique.

Consulter un électricien qualifié si les instructions de mise à la terre ne sont pas parfaitement comprises, ou en cas de doute sur la mise à la terre correcte de l'appareil.

N'utilisez pas de rallonge. Si le cordon d'alimentation est trop court, demander à un électricien qualifié de poser une prise près de l'appareil.

L'installateur doit effectuer une vérification de continuité de masse sur la boîte de prise de courant avant de commencer l'installation pour s'assurer que la zone de prise est correctement mise à la terre. S'il n'est pas correctement mise à la terre, ou si la boîte de sortie ne répond pas aux exigences électriques, un électricien qualifié doit être utilisée pour corriger les irrégularités.

Dégagements et dimensions

- Pour raison de SÉCURITÉ, n'installez pas le tiroir à micro-ondes dans une armoire combustible, ni dans un endroit qui ne se conforme pas aux dégagements et aux dimensions précisés aux page 3. Reportez-vous au Schéma 3 (installation standard) ou Schéma 4 (installation encastrée).
- Les dimensions indiquées au Schéma 3 (installation standard) ou Schéma 4 (installation encastrée) doivent être observées. Ces dimensions offrent un dégagement minimal. Repérer la prise électrique dans l'aire ombrée dans le coin gauche supérieur de la découpe. Voir Schéma 6.
- La surface de contact doit être solide et de niveau. Prêter une attention particulière au plancher qui supportera le tiroir. Le plancher de l'ouverture doit être en contreplaqué assez fort pour supporter le poids du four et sa propre charge (approximativement 45,5 kg [100 lb]).
- Vérifier que l'emplacement où le tiroir sera installé aura une alimentation électrique appropriée.
- Votre four peut être installé dans une armoire, sur un mur, ou sous un four mural au gaz ou électrique et les suivantes:

SURFACES DE CUISSON AU GAZ	SURFACES DE CUISSON ÉLECTRIQUES	SURFACES DE CUISSON À INDUCTION
SGSX365FS SGSX305FS PCG304G	CES365FS CET304FS	CIT365KBB CIT304KB

- Vérifier que le dégagement du plancher entre le four mural et le tiroir est au minimum de 2 po (50,8 mm).
- L'intérieur du micro-ondes acceptera facilement un plat rectangulaire de 9 po x 13 po ou un sac de maïs soufflé allant au micro-ondes.

▲ IMPORTANTES CONSIGNES DE SÉCURITÉ

LIRE TOUTES LES INSTRUCTIONS AVANT D'UTILISER L'APPAREIL

INSTALLATEUR: LAISSER CES INSTRUCTIONS AVEC L'APPAREIL FOIS L'INSTALLATION TERMINÉE.

IMPORTANT: CONSERVER CES INSTRUCTIONS POUR L'UTILISATION DU INSPECTEURS LOCAUX.

▲ AVERTISSEMENT

Si les informations contenues dans ce manuel ne sont pas exactement, un incendie ou un choc peuvent causer des dommages matériels ou corporels.

▲ AVERTISSEMENT

Ne pas réparer, remplacer ou supprimer toute partie de l'appareil à moins d'une recommandation précise dans les manuels. Une installation, un service ou un entretien peuvent causer des blessures ou des dommages matériels. Reportez-vous à ce manuel pour obtenir des conseils. Toutes les autres réparations doivent être faites par un technicien qualifié.

Appliance manipulation sécurité

L'unité est lourde et nécessite au moins deux personnes ou un équipement approprié pour le déplacer.

Ne pas soulever l'appareil par la poignée de la porte.

surfaces cachées peuvent avoir des bords tranchants. Faites preuve de prudence en arrivant derrière ou sous l'appareil.

État de Californie proposition 65

▲ AVERTISSEMENT

Ce produit contient des produits chimiques reconnus par l'État de Californie pour causer le cancer, des malformations congénitales ou d'autres problèmes de reproduction.

Sécurité électrique

▲ AVERTISSEMENT

Avant de brancher un cordon électrique ou la mise sous tension d'alimentation, assurez-vous que toutes les commandes sont en position OFF.

▲ AVERTISSEMENT

L'appareil doit être déconnecté de la source d'alimentation avant de tenter l'installation.

Pour les appareils équipés d'un cordon et la prise, ne pas couper ou enlever la broche de terre. Il doit être branché sur une adaptation de terre prise pour éviter un choc électrique. En cas de doute quant à la prise murale est correctement mise à la terre, le client doit le faire vérifier par un électricien qualifié.

Si requis par le Code national de l'électricité (ou le Code canadien de l'électricité), cet appareil doit être installé sur un circuit de dérivation distinct.

Installer - montrer le propriétaire de l'emplacement du disjoncteur ou fusible. Marquez pour référence facile.

Avant d'installer, couper le courant au niveau du panneau de service. Verrouiller panneau de service pour éviter une mise en circuit accidentelle.

Assurez-vous que votre appareil est correctement installé et mis à la terre par un technicien qualifié. Installation, connexions et mise à la terre électriques doivent se conformer à tous les codes applicables.

Micro-ondes sécurité

PRECAUTIONS A OBSERVER AVANT ET PENDANT L'ENTRETIEN POUR ÉVITER UNE EXPOSITION AUX MICRO-ONDES

- Ne pas utiliser ou permettre au four de fonctionner avec la porte ouverte.
- Effectuer les contrôles de sécurité suivants sur tous les fours à desservir avant d'activer le magnétron ou une autre source de micro-ondes et faire des réparations si nécessaire:
 1. Opération Interlock
 2. Fermeture de la porte adéquate
 3. Surfaces d'étanchéité et d'étanchéité (arc, usure, et d'autres dommages)
 4. Les dommages ou relâchement des charnières et les loquets
 5. Preuve de chute ou d'abus
- Avant la mise sous tension de micro-ondes pour tout test de service ou d'inspection dans les compartiments micro-ondes de production, consultez le magnétron, guide d'ondes ou d'une ligne de transmission, et de la cavité pour un bon alignement, l'intégrité, et la connexion.

IMPORTANTES CONSIGNES DE SÉCURITÉ

LIRE TOUTES LES INSTRUCTIONS AVANT D'UTILISER L'APPAREIL

- Tous les composants défectueux ou déréglé dans les systèmes de verrouillage, moniteur, joint de la porte, et de génération de micro-ondes et de transmission doivent être réparés, remplacés ou réglés par des procédures décrites dans ce manuel avant que le four est remis à son propriétaire.
- Un micro-ondes de fuite contrôle pour vérifier la conformité à la norme fédérale performance devrait être effectuée sur chaque four avant la libération au propriétaire.

La sécurité du matériel connexe

Enlevez tout le ruban et l'emballage avant d'utiliser l'appareil. Détruire l'emballage après avoir déballé l'appareil. Ne jamais laisser les enfants jouer avec les matériaux d'emballage.

Ne modifiez jamais la construction de l'appareil. Par exemple, ne pas retirer les pieds de nivellement, des panneaux, protège-fils ou anti-bascule supports / vis.

AVERTISSEMENT

Pour réduire le risque d'incendie, utilisez uniquement des conduits en métal.

ATTENTION

Pour ventilation générale utiliser seulement. Ne pas utiliser pour évacuer des vapeurs dangereuses ou explosives.

Déballage de votre four à micro-ondes MicroDrawer®

- Retirer tous les matériaux d'emballage de l'intérieur du four à micro-ondes MicroDrawer® NE PAS RETIRER LE GUIDE D'ONDES qui est situé au plafond du four à micro-ondes MicroDrawer®.
- Vérifier que le four n'a aucun dommage, comme un tiroir mal aligné ou plié, des joints ou des surfaces d'étanchéité de porte endommagés, des glissières cassés ou lâches et des bosses à l'intérieur de la cavité ou sur la façade du tiroir. En cas de dommages, ne pas faire fonctionner le four à micro-ondes MicroDrawer® et contacter votre détaillant ou un RÉPARATEUR AUTORISÉ THERMADOR®.

Remarques import antes à l'installateur

- Lire toutes les directives d'installation avant d'installer le four à micro-ondes MicroDrawer®.
- Retirer tous les matériaux d'emballage avant de connecter au secteur.
- Le propriétaire et l'installateur sont responsables d'assurer la conformité avec tous les codes et toutes les normes de sécurité en vigueur. Voir UL 923, The Microwave Cooking Appliances (Les appareils de cuisson à micro-ondes).
- L'appareil peut être installé en utilisant une norme ou une couleur (en médaillon) l'installation en suivant les instructions suivantes.
- Veiller à laisser ces directives au client.

Remarques importantes au client

Conserver ces instructions avec votre mode d'emploi et d'entretien pour référence ultérieure.

- Lors de l'utilisation d'un four à micro-ondes générant de la chaleur, il faut suivre certaines mesures de sécurité. Elles sont répertoriées dans le mode d'emploi et d'entretien. Lire le mode d'emploi et d'entretien et suivre soigneusement toutes les mesures de sécurité.

▲ AVERTISSEMENT

L'appareil doit être installé uniquement par un électricien licencié ou un installateur qualifié.

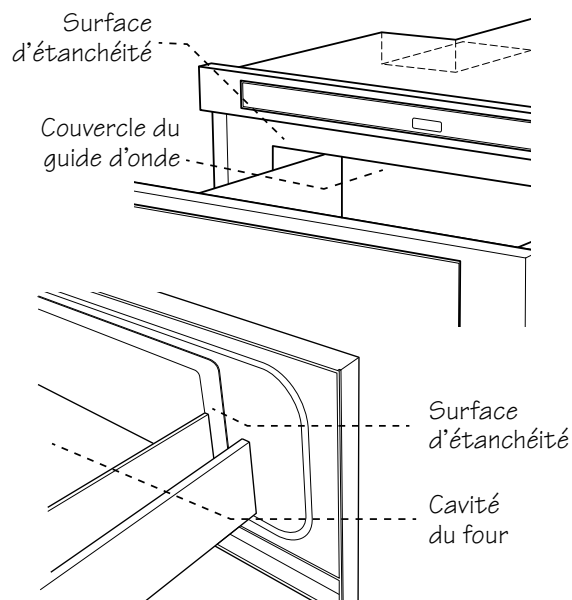
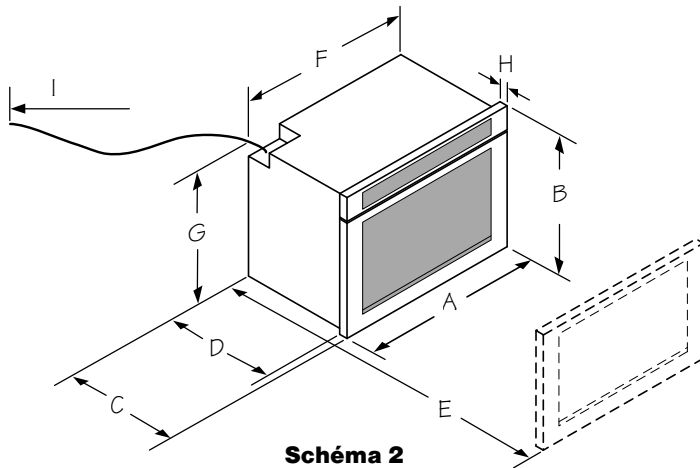


Schéma 1

Mesures pour le four à micro-ondes MicroDrawer®

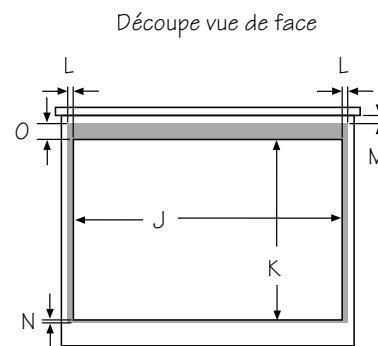
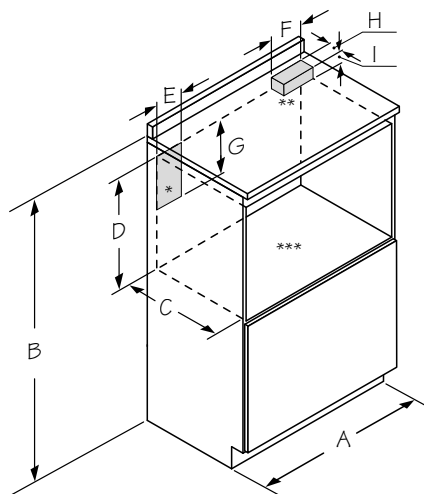
DIMENSIONS DE L'APPAREIL



- A. MD24JS (24 po) 23 7/8 po (606 mm)
MD30RS (30 po) 30 po (762 mm)
- B. 16 5/16 po (414 mm)
- C. 23 3/8 po (594 mm)
- D. 21 7/8 po (556 mm)
- E. 38 3/8 po (974 mm)
- F. 21 5/8 po (549 mm)
- G. 14 5/8 po (371 mm)
- H. 1 11/16 po (39 mm)
- I. Environ 46 po (1,168.4 mm)

Schéma 2

DIMENSIONS STANDARD D'INSTALLATION ET DÉGAGEMENTS



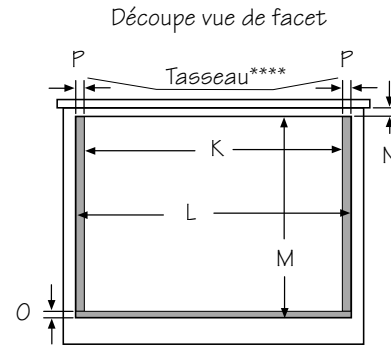
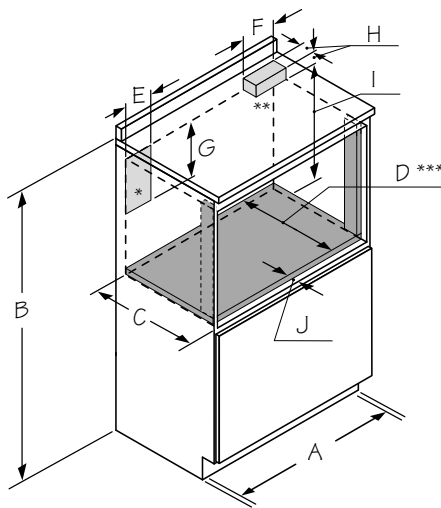
- * Emplacement suggéré de la prise électrique
- ** Bloc antibasculement
- *** La base doit supporter jusqu'à 100 lb (45,4 kg)

Schéma 3

- A. MD24JS (24 po) 24 po ou 27 po (610 ou 686 mm)
MD30RS (30 po) 30 po (762 mm)
- B. 36 po (914 mm)
- C. 23 1/2 po (597 mm)
- D. 14 5/8 po (372 mm)
- E. 4 po (102 mm)
- F. 6 po (152 mm)
- G. 5 po (127 mm)
- H. 3 1/2 po (89 mm)
- I. 1 1/2 po (38 mm)
- J. 22 1/8 po (562 mm) minimum
28 5/16 po (719 mm) maximum
- K. 14 13/16 po (376 mm)
- L. 7/8 po (22 mm) chevauchement
- M. 1/2 po (13 mm) aire visible
- N. 1/16 po (2 mm) chevauchement
- O. 1 7/16 po (36 mm) chevauchement

Mesures pour le four à micro-ondes MicroDrawer®

INSTALLATION ENCASTRÉE



- * Emplacement suggéré de la prise électrique
- ** Bloc antibasculement
- *** La base doit supporter jusqu'à 100 lb (45,4 kg)
- **** Les côtés doivent être finis et prolongés jusqu'au tasseau. Les tasseaux doivent aussi être finis, car ils pourraient être visibles après l'installation. (Tasseaux ne sont pas inclus avec l'appareil.)

Schéma 4

A. MD24JS (24 po)	27 po (686 mm)	K. MD24JS (24 po)	22 1/8 po (562 mm)
MD30RS (30 po)	30 5/16 po (770 mm)	MD30RS (30 po)	28 5/16 po (719 mm)
B. 36 po (914 mm)		L. MD24JS (24 po)	24 3/16 po (614 mm)
C. 23 1/2 po (597 mm)		MD30RS (30 po)	30 5/16 po (770 mm)
D. Profondeur min. de labase 21 7/8 po (555 mm)		M. Découpe 16 5/8 po (422 mm)	
E. 4 po (102 mm)		N. 1/2 po (13 mm) aire visible	
F. 6 po (152 mm)		O. Épaisseur de la base 1/4 po (6 mm)	
G. 5 po (127 mm)		P. 1 po (25 mm)	
H. 3 1/2 po (89 mm)			
I. 14 5/8 po (371 mm)			
J. 1 5/8 po (41 mm)			

Les nombreuses dimensions des Schémas 2, 3 et 4 sont des références pour la préparation de la pose du tiroir.

Ce four à micro-ondes MicroDrawer® peut s'installer en dessous de tout four mural électrique ou à gazé.

AVIS : Prévoyez toujours une longueur suffisante de cordon d'alimentation pour que celui-ci ne soit aucunement tendu.

Vérifiez toujours les normes et le code électriques de votre région.

Bloc anti-basculement

ÉTAPES D'INSTALLATION NORMALE

Directives d'installation du bloc anti-basculement

Le bloc de bois anti-basculement de 6 po sera fourni par l'installateur. Pour réduire le risque de basculement du tiroir, le bloc anti-basculement doit être correctement installé 14 13/16 po (installation standard) ou 14 5/8 po (installation encastrée) au-dessus du plancher sur lequel le four à micro-ondes MicroDrawer® sera posé. Voir Schéma 3 (installation standard) ou Schéma 4 (installation encastrée) et Schéma 5. Le bloc anti-basculement empêche de sérieuses blessures qui pourraient survenir du déversement de liquides chauds.

Si le tiroir est déplacé à un endroit différent, le bloc antibasculement doit l'être aussi et réinstallé. Lorsqu'il est installé au mur, vérifiez que les vis complètement à sec pénètrent le mur et sont correctement sécurisés et dans le matériau de base underneath le bloc soit parfaitement stable. En fixant, faire attention que les vis ne pénètrent pas dans le câblage électrique ou la plomberie.

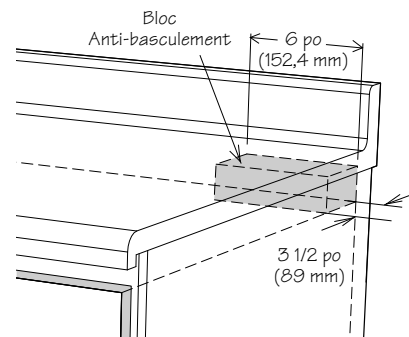


Schéma 5

⚠ ATTENTION

Veiller à ce que les vis ne touchent pas au câblage ou à la plomberie dissimulés dans le mur.

⚠ AVERTISSEMENT

L'appareil peut basculer et causer des déversements et des brûlures ou d'autres blessures si le bloc antibasculement n'est pas installé correctement.

Prise de courant

Cet appareil doit disposer d'un circuit de 120 volts, 60 Hz, 15 A (minimum) Il est recommandé d'alimenter cet appareil par un circuit séparé.

Le four est équipé d'une fiche trois broches, mise à la terre. Il faut la brancher dans une prise murale correctement installée et mise à la terre. Si vous ne possédez que des prises à deux broches, demandez à un électricien de métier d'installer une prise murale qui convienne.

Remarque : Pour toute question à propos de l'installation électrique ou de la mise à la terre, consulter un électricien de métier.

* Peut être installé aussi en utilisant une prise secteur dans une armoire voisine dans les limites imposées par la longueur du cordon d'alimentation fourni avec l'appareil.

Vérifiez toujours les normes et le code électriques de votre région.

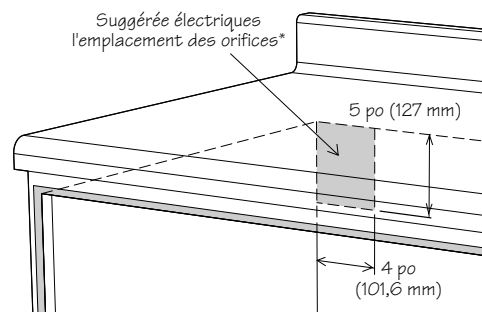


Schéma 6

Installation du tiroir

1. Placer le four près de l'ouverture du mur ou de l'armoire. Brancher le cordon ans la prise électrique.
2. Guider avec précaution le four assemblé dans l'ouverture préparée. Éviter de pincer le cordon entre le four et le mur.
3. Faire glisser le tiroir jusqu'à ce que la bride de montage soit en contact avec la face de l'armoire pour une installation standard ou les tasseaux latéraux pour un encastrement. Voir Schéma 7A.
4. Ouvrir le tiroir. À l'aide des 4 trous du tiroir comme gabarit, percer des avant-trous dans l'armoire avec un foret de 1/16 po. Voir Schéma 7A.
5. Fixer le tiroir avec les 4 vis fournies. Voir Schéma 7B.

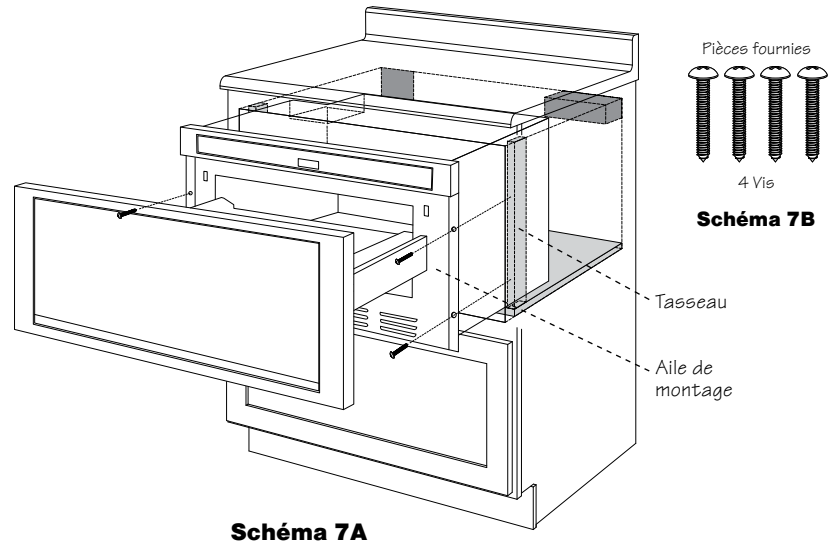


Schéma 7A

Assistance de la société d'appareils domestiques BSH

Service

Nous sommes conscients que vous avez fait un investissement considérable dans votre cuisine. Nous nous engageons à vous soutenir, vous et votre appareil afin que vous puissiez profiter de nombreuses années d'une cuisine créative.

N'hésitez pas à communiquer avec notre service d'assistance à la clientèle STAR® si vous avez des questions ou dans le cas peu probable où votre appareil THERMADOR® aurait besoin de réparations. Notre équipe est prête à vous aider.

www.thermador.ca

800-735-4328

Pièces & Accessoires

Pièces, filtres, détartrants, nettoyants d'acier inoxydable et autres peuvent être achetés à la boutique en ligne THERMADOR ou par téléphone.

www.thermador-eshop.com

Tabla de Contenido

DEFINICIONES DE SEGURIDAD	1	NOTAS IMPORTANTES PARA EL CONSUMIDOR.....	5
INSTRUCCIONES DE SEGURIDAD IMPORTANTES	2-4	MEDIDAS DEL HORNO MICRODRAWER®.....	6-7
CÓDIGOS Y NORMAS DE SEGURIDAD.....	2	BLOQUE ANTIVOLCADURAS.....	8
INSTRUCCIONES PARA LA CONEXIÓN A TIERRA.....	2	TOMACORRIENTE ELÉCTRICO	8
ESPACIOS LIBRES Y DIMENSIONES	2	INSTALACIÓN DE LA GAVETA	9
DESEMBALAJE DE SU HORNO MICRODRAWER®	5	APOYO BSH HOME APPLIANCES CORPORATION.....	9
NOTAS IMPORTANTES PARA EL INSTALADOR.....	5		

ADVERTENCIA

- La instalación deben ser efectuados por un instalador calificado.
 - **INSTALADOR:** Deje estas instrucciones con el aparato después de la instalación.
 - **IMPORTANTE:** Guarde este manual de instalación para el uso del inspector eléctrico local.
 - **PROPIETARIO:** Por favor lea y guarde estas instrucciones para futuras consultas.
-

ADVERTENCIA

Si la información de este manual no se sigue con exactitud, incendio o choque pueden causar daños materiales o lesiones personales.

Definiciones de seguridad

ADVERTENCIA

Esto indica que la muerte o lesiones graves pueden ocurrir como consecuencia de la inobservancia de esta advertencia.

PRECAUCIÓN

Esto indica que las lesiones leves o moderadas pueden ocurrir como consecuencia de la inobservancia de esta advertencia.

AVISO: Esto indica que los daños en el aparato o la propiedad puede ocurrir como resultado de la falta de cumplimiento con este documento informativo.

Nota: Esto le avisa a la información y / o consejos importantes.

⚠ INSTRUCCIONES DE SEGURIDAD IMPORTANTES

LEA TODAS LAS INSTRUCCIONES ANTES DE USAR EL APARATO

Códigos y normas de seguridad

Este aparato cumple con la última versión de uno o más de los siguientes estándares:

- CAN/CSA-C22.2 N.º 61 - Estufas de uso doméstico
- UL 858 - Estufas eléctricas de uso doméstico
- CAN/CSA C22.2 N.º 150 - Hornos Microondas
- UL 923 - Electrodomésticos de cocción por microondas
- UL 507 - Ventiladores eléctricos
- CAN/CSA C22.2 N.º 113 - Ventiladores
- CSA C22.2 N.º 64 - Cocinar los aparatos Liquid-Calefacción
- UL 1026 - Electrodomésticos de cocina y Servicio de comida Electrodomésticos

Es responsabilidad del propietario y del instalador determinar si se aplican otros requisitos y/o normas en instalaciones específicas.

Instrucciones para la conexión a tierra

Este electrodoméstico debe estar conectado a tierra. En caso de un cortocircuito eléctrico, la conexión a tierra reduce el riesgo de descarga eléctrica proporcionando un cable de escape para la corriente eléctrica. Este electrodoméstico viene equipado con un cable con un hilo de conexión a tierra y un enchufe para conexión a tierra. El enchufe debe colocarse en una toma de corriente que esté correctamente instalada y conectada a tierra.

⚠ ADVERTENCIA

Inadecuado de la conexión a tierra puede causar una descarga eléctrica.

Consulte a un electricista calificado si no comprende la totalidad de las instrucciones de conexión a tierra o si tiene alguna duda respecto de si el electrodoméstico está correctamente conectado a tierra.

No utilice extensiones de cable. Si el cable de alimentación es demasiado corto, haga que un electricista calificado instale un tomacorriente cerca del artefacto.

El instalador debe realizar una comprobación de continuidad de tierra en la caja de toma de corriente antes de iniciar la instalación para asegurar que la caja tomacorriente está conectada a tierra correctamente. Si no está bien conectado a tierra, o si el tomacorriente no cumple con los requisitos eléctricos, un electricista calificado debe ser empleado para corregir deficiencias.

Espacios Libres y Dimensiones

- Por razones de seguridad no instale el Horno MicroDrawer® en un gabinete que se puedan incendiar y que no esté de acuerdo con las distancias y dimensiones indicadas en las "mediciones del Horno MicroDrawer®" en la siguiente sección. Vea la figura 3 (instalación estándar) o la figura 4 (instalación al ras).
- Las dimensiones mostradas en la Figura 3 (instalación estándar) o Figura 4 (instalación al ras) Las dimensiones suministradas proporcionan un espacio libre mínimo. Ubique el tomacorriente eléctrico en el área cubierta en la esquina superior izquierda del recorte. Vea la Figura 6.
- La superficie de contacto debe ser firme y nivelada. Preste mucha atención a la superficie o piso en el cual se apoyará el Horno MicroDrawer®. La superficie o piso de la abertura debe ser construido de madera laminada lo suficientemente resistente para soportar el peso del horno (aproximadamente 100 libras).
- Verifique la ubicación donde será instalada la gaveta para que cuente con el suministro de electricidad apropiado.
- Su Horno MicroDrawer® puede ser empotrado en un gabinete o pared individualmente o debajo de un horno a gas y los siguiente:

PLACAS A GAS	PLACAS ELÉCTRICAS	PLACAS DE INDUCCIÓN
SGSX365FS SGSX305FS PCG304G	CES365FS CET304FS	CIT365KBB CIT304KB

- Asegúrese de que el espacio libre de la superficie o piso entre el horno de pared y del electrodoméstico sea como mínimo de 2".
- El interior del microondas tiene la capacidad de alojar fácilmente un recipiente rectangular de 9" x 13" o una bolsa de palomitas de maíz para microondas.

INSTRUCCIONES DE SEGURIDAD IMPORTANTES

LEA TODAS LAS INSTRUCCIONES ANTES DE USAR EL APARATO

INSTALADOR: DEJE ESTAS INSTRUCCIONES CON EL APARATO DESPUÉS DE LA INSTALACIÓN.

IMPORTANTE: GUARDE ESTAS INSTRUCCIONES PARA EL USO DEL INSPECTOR LOCAL DE ELECTRICIDAD.

ADVERTENCIA

Si el contenido de este manual no se sigue exactamente, incendios o descargas pueden causar daños materiales o lesiones personales.

ADVERTENCIA

No reparar, sustituir o eliminar cualquier parte del aparato a menos que se recomiende específicamente en los manuales. La instalación, el mantenimiento o servicio y pueden causar lesiones o daños materiales. Consulte este manual para más información. Cualquier otro servicio debe ser realizado por un técnico cualificado.

Manejo del aparato de seguridad

La unidad es pesada y se requieren al menos dos personas o un equipo adecuado para moverse.

No levante aparato manija de la puerta.

Las superficies ocultas pueden tener bordes afilados. Tenga cuidado al llegar detrás o debajo de un mueble.

Estado de la propuesta 65 de California

ADVERTENCIA

Este producto contiene sustancias químicas que el Estado de California como causante de cáncer, defectos de nacimiento u otros daños reproductivos.

Seguridad eléctrica

ADVERTENCIA

Antes de enchufar un cable eléctrico o encienda la fuente de alimentación, asegúrese de que todos los controles están en la posición OFF.

ADVERTENCIA

El aparato debe estar desconectado de la fuente de alimentación antes de intentar la instalación.

Para los aparatos provistos con un cable y un enchufe, no corte o remueva la tierra. Debe ser enchufado en una toma de tierra receptáculo correspondiente para evitar descargas eléctricas. Si hay alguna duda en cuanto a si la toma de

pared esté conectado a tierra correctamente, el cliente debe que sea revisado por un electricista calificado.

Si es requerido por el Código Eléctrico Nacional (o el Código Eléctrico Canadiense), este aparato debe ser instalado en un circuito separado.

Instalador - mostrar al propietario la ubicación del disyuntor o fusible. Marcarlo para una fácil referencia.

Antes de instalar, apague el suministro eléctrico en el panel de servicio. Bloqueo panel de servicio para evitar que la corriente que se encienda accidentalmente.

Asegúrese que su aparato está correctamente instalado y conectado a tierra por un técnico cualificado. Instalación, las conexiones eléctricas y de tierra deben cumplir con todos los códigos aplicables.

Microondas seguridad

PRECAUCIONES QUE DEBEN TOMARSE ANTES Y DURANTE MANTENIMIENTO PARA EVITAR POSIBLE EXPOSICIÓN A ENERGÍA DE MICROONDAS

- No operar o permitir el horno para ser operado con la puerta abierta.
- Realice las siguientes comprobaciones de seguridad en todos los hornos para ser atendidos antes de activar el magnetrón u otra fuente de microondas, y hacer las reparaciones necesarias como:
 1. Operación de bloqueo
 2. cierre correcto de la puerta
 3. Sello y sellado de superficies (arco, desgaste y otros daños)
 4. Daños o desprendimiento de las bisagras y pestillos
 5. Evidencia de caídas o abuso
- Antes de conectar la alimentación de microondas para cualquier prueba o inspección de servicios dentro de los compartimentos de generación de microondas, compruebe el magnetrón, guía de onda o línea de transmisión, y la cavidad para la alineación adecuada, la integridad y la conexión.

INSTRUCCIONES DE SEGURIDAD IMPORTANTES

LEA TODAS LAS INSTRUCCIONES ANTES DE USAR EL APARATO

- Cualquiera de los componentes defectuosos o desajustados en los sistemas de enclavamiento, monitor, junta de la puerta, y la generación y transmisión de microondas deben ser reparados, reemplazados, o se ajustan mediante los procedimientos descritos en este manual antes de que el horno se libera al propietario.
- Una verificación de fugas de microondas para verificar el cumplimiento de la Norma Federal de rendimiento se debe realizar en cada horno antes de liberar al propietario.

Relacionados con la seguridad del equipo

Retire toda la cinta y el embalaje antes de usar el aparato. Destruir el envase después de desembalar el aparato. Nunca permita que los niños jueguen con el material de embalaje.

Nunca modifique o altere la construcción del aparato. Por ejemplo, no retire las patas de nivelación, paneles, cubiertas de cables o soportes antivuelco / tornillos.

ADVERTENCIA

Para reducir el riesgo de incendio, use solamente conductos de metal.

PRECAUCIÓN

Para ventilación general de utilizar solamente. No utilice para descargar materiales y vapores peligrosos o explosivos.

Desembalaje de su Horno MicroDrawer®

- Retire todos los materiales de embalaje que están dentro de la gaveta. **NO RETIRE LA CUBIERTA DE LA GUÍA DE ONDAS**, ubicada en la parte superior del Horno MicroDrawer®.
- Verifique que la gaveta no tenga daños como que esté torcida o mal alineada, sellos de la gaveta y superficies de sellado dañados, guías del Horno MicroDrawer® rotas o flojas y abolladuras dentro de la cavidad o en la parte frontal de la gaveta. Si encuentra algún daño, no opere el electrodoméstico y comuníquese con su distribuidor o PERSONAL DE SERVICIO AUTORIZADO DE THERMADOR®.

Notas Importantes Para el Instalador

- Lea por completo el Manual de instalación antes de instalar el Horno MicroDrawer®.
- Retire todos los materiales de embalaje antes de conectar el suministro de energía eléctrica.
- Cumpla con todos los códigos y normas vigentes.
- El aparato puede ser instalado utilizando un estándar o un color (recuadro) de instalación de acuerdo con las instrucciones siguientes.
- Asegúrese de entregar estas instrucciones al consumidor.

Notas Importantes Para el Consumidor

Conserve este manual junto a su Manual de uso y cuidado para referencia futura.

- Tal como cuando utiliza cualquier horno microondas que genera calor, existen ciertas precauciones de seguridad que se deben tomar en cuenta. Éstas se encuentran en el Manual de uso y cuidado. Lea todas las precauciones y sígala cuidadosamente.

▲ ADVERTENCIA

El aparato debe ser instalado solamente por un electricista autorizado o un técnico cualificado.

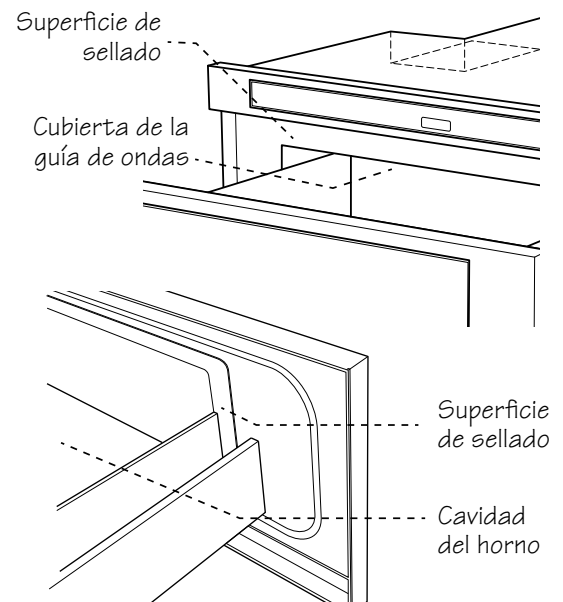
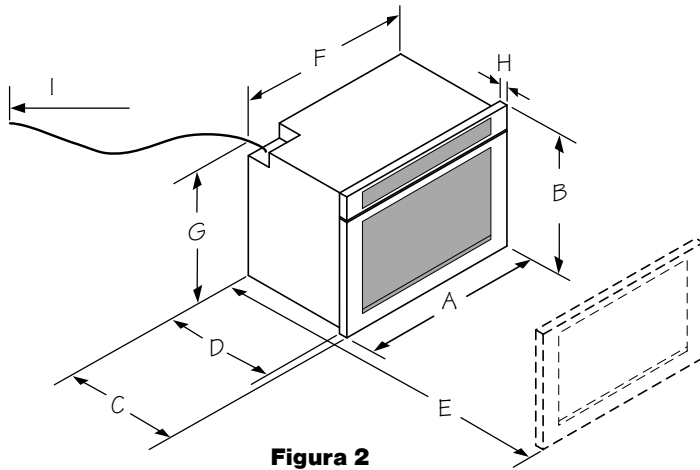


Figura 1

Medidas del Horno MicroDrawer®

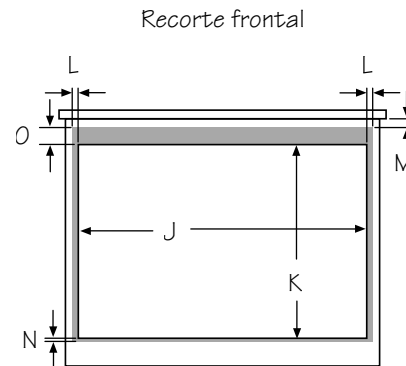
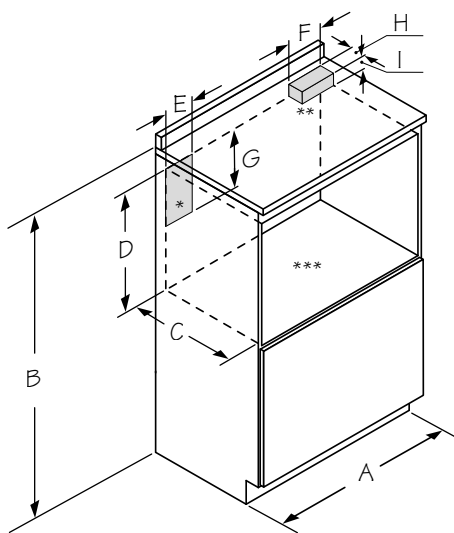
DIMENSIONES DE ELECTRODOMESTICOS



- A. MD24JS (24") 23 7/8" (606 mm)
MD30RS (30")30" (762 mm)
- B. 16 5/16" (414 mm)
- C. 23 3/8" (594 mm)
- D. 21 7/8" (556 mm)
- E. 38 3/8" (974 mm)
- F. 21 5/8" (549 mm)
- G. 14 5/8" (371 mm)
- H. 1 11/16" (39 mm)
- I. Aproximadamente 46" (1,168.4 mm)

Figura 2

INSTALACIÓN ESTÁNDAR



- * Ubicación sugerida del tomacorriente
- ** Bloque antivuelco
- *** La base debe soportar hasta 100 libras

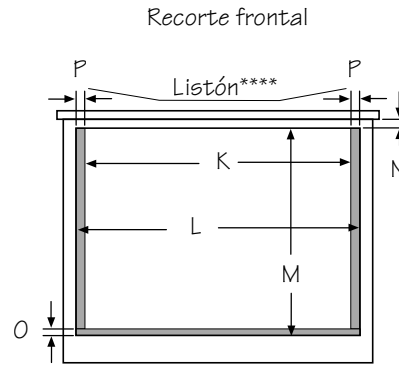
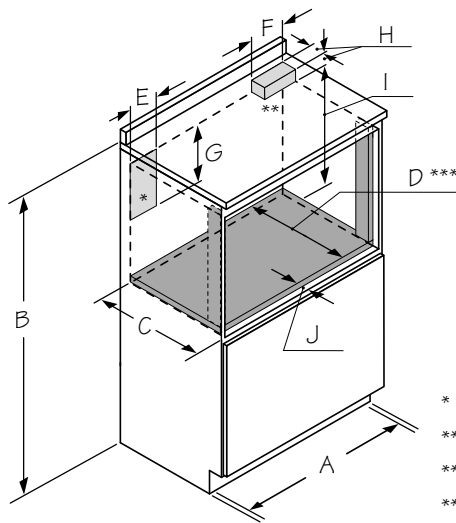
Figura 3

- A. MD24JS (24") 24" o 27" (610 o 686 mm)
MD30RS (30")30" (762 mm)
- B. 36" (914 mm)
- C. 23 1/2" (597 mm)
- D. 14 5/8" (372 mm)
- E. 4" (102 mm)
- F. 6" (152 mm)
- G. 5" (127 mm)
- H. 3 1/2" (89 mm)
- I. 1 1/2" (38 mm)

- j. 22 1/8" (562 mm) mínimo
28 5/16" (719 mm) máximo
- K. 14 13/16" (376 mm)
- L. 7/8" (22 mm) de sobreposición
- M. 1/2" (13 mm) área visible
- N. 1/16" (2 mm) de sobreposición
- O. 1 7/16" (36 mm) de sobreposición

Medidas del Horno MicroDrawer®

INSTALACIÓN AL RAS



- * Ubicación sugerida del tomacorriente
- ** Bloque antivuelco
- *** La base debe soportar hasta 100 libras
- **** Los lados deben estar terminados y extendidos hasta el listón. Los listones también deben ser terminados, ya que pueden ser visibles después de la instalación. (Listones no se incluyen con la unidad.)

Figura 4

A. MD24JS (24")	27" (686 mm)	K. MD24JS (24")	22 1/8" (562 mm)
MD30RS (30")	30 5/16" (770 mm)	MD30RS (30")	28 5/16" (719 mm)
B. 36" (914 mm)		L. MD24JS (24")	24 3/16" (614 mm)
C. 23 1/2" (597 mm)		MD30RS (30")	30 5/16" (770 mm)
D. 21 7/8" (555 mm) profundidad mín. de la base		M. 16 5/8" (422 mm) de recorte	
E. 4" (102 mm)		N. 1/2" (13 mm) área visible	
F. 6" (152 mm)		O. 1/4" (6 mm) grosor de la base	
G. 5" (127 mm)		P. 1" (25 mm)	
H. 3 1/2" (89 mm)			
I. 14 5/8" (371 mm)			
J. 1 5/8" (41 mm)			

Las figuras 2, 3 y 4 contienen muchas mediciones del Horno MicroDrawer® como referencia para planificar la ubicación del cajón. Este Horno MicroDrawer® puede ser instalado por debajo de cualquier horno eléctrico o de gas de pared.

AVISO: Siempre deje una longitud suficiente de cable de alimentación hasta el tomacorriente eléctrico para prevenir la tensión del cable.

Siempre verifique los códigos eléctricos para ver los requisitos.

Bloque Antivolcaduras

PROCEDIMIENTO NORMAL DE INSTALACIÓN

Instrucciones de instalación del bloque antivolcaduras

El bloque antivolcaduras de 6" debe ser suministrado por el instalador. Para reducir el riesgo de volcadura de la gaveta, el bloque antivolcaduras debe ser instalado correctamente a una distancia de 14 13/16" (instalación estándar) y 14 5/8" (instalación al ras) por encima de la superficie en la cual se apoyará el Horno MicroDrawer®. Vea la Figura 3 (instalación estándar) o Figura 4 (instalación al ras) y Figura 5. El bloque antivolcaduras previene lesiones graves que podrían ser ocasionadas por derrames de líquidos calientes.

Si el Horno MicroDrawer® es trasladado alguna vez a otra ubicación, el bloque antivolcaduras también debe ser trasladado e instalado. Al instalarla en la pared, asegúrese de que los tornillos penetren por completo en el drywall y se aseguren en madera o metal de modo que el bloque se encuentre totalmente estable. Al ajustar los tornillos asegúrese que no perforen el cableado eléctrico o las instalaciones sanitarias.

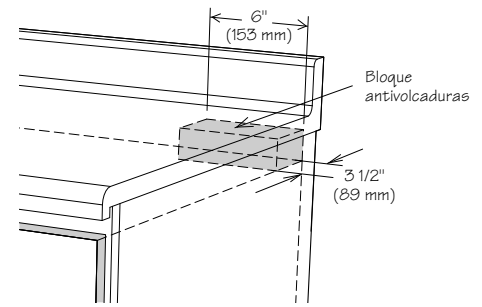


Figura 5

⚠ PRECAUCIÓN

Asegúrese de que los tornillos no estén en contacto con cualquier cableado o tuberías que puedan estar presentes en la pared.

⚠ ADVERTENCIA

La unidad puede voltearse y causar derrames y posibles quemaduras u otro tipo de lesiones, si el bloque antivuelco no está instalado correctamente.

Tomacorriente Eléctrico

La unidad requiere un circuito de 120 voltios, 60 Hz, 15 amperios (mínimo). Se recomienda un circuito por separado que sea sólo para este electrodoméstico.

El Horno MicroDrawer® está equipado con un enchufe con toma a tierra de tres clavijas. Se debe conectar en un tomacorriente de pared instalado y conectado a tierra apropiadamente. Si solo cuenta con un tomacorriente de dos clavijas, haga que un electricista calificado instale un tomacorriente de pared correcto.

Nota: Si tiene alguna pregunta sobre las instrucciones eléctricas o de conexión a tierra, consulte a un electricista calificado.

* También se puede instalar usando un tomacorriente eléctrico en un gabinete adyacente dentro del área hasta donde se pueda extender el cable eléctrico.

Siempre verifique los códigos eléctricos para ver los requisitos.

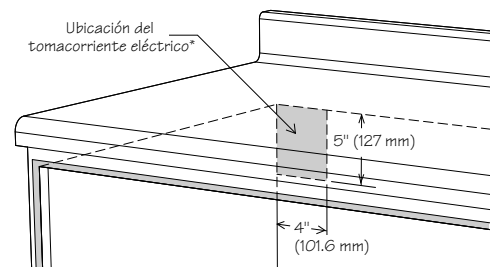
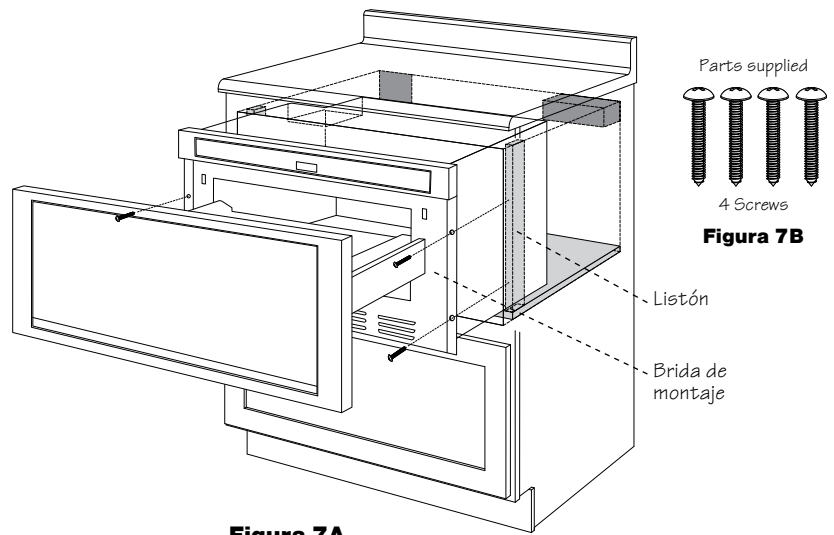


Figura 6

Instalación de la Gaveta

1. Coloque el Horno MicroDrawer® al lado de la abertura de la pared o gabinete. Conecte el cordón de alimentación al tomacorriente eléctrico.
2. Guíe con cuidado el electrodoméstico dentro de la abertura preparada. Evite que el cable quede entre el horno y la pared.
3. Deslice el cajón hasta que la brida de montaje haga contacto con la cara del gabinete para una instalación estándar o los lados de los listones para una instalación al ras. Vea la Figura 7A.
4. Abra la gaveta. Usando los 4 agujeros en la gaveta como plantilla, pre-taladre el gabinete con una broca de 1/16". Vea la Figura 7A.
5. Asegure la gaveta con los 4 tornillos suministrados. Vea la Figura 7B.



Apoyo BSH Home Appliances Corporation

Servicio

Nos damos cuenta de que usted ha hecho una inversión considerable en su cocina. Estamos dedicados a respaldar a usted y su aparato para que usted disfrute de muchos años de cocina creativa.

Por favor no dude en ponerse en contacto con nuestro Departamento de Atención al Cliente STAR® si usted tiene cualquier preguntas o en el caso improbable de que su aparato THERMADOR® necesite servicio. Nuestro equipo de servicio está listo para ayudarle.

www.thermador.com/support

800-735-4328

Partes y accesorios

Partes, filtros, descalcificador, limpiadores de acero inoxidable y más pueden comprarse en la tienda en línea eSHOP THERMADOR o por teléfono.

www.thermador-eshop.com



BSH Home Appliances Corporation • 1901 Main Street, Suite 600 • Irvine, CA 92614
1-800-735-4328 • www.thermador.com © BSH Home Appliances Corporation, 2014