

Professional Series

36" Dual-Fuel Standard-depth Range

PRD364GDHC - Porcelain Rangetop



PRD364GDHC Stainless steel

Design

- Bold Professional design
- Truly Flush Mounted™, 24" standard cabinet depth
- Patented Pedestal Star® Burner with QuickClean Base®
- Restaurant style metal knobs
- Professional style, continuous cast iron grates
- Continuous porcelain, easy to clean cooking surface

Performance

- Exclusive, patented Star® Burner – most even heating, unsurpassed flame coverage
- Every burner 18,000 BTU (NG)
- Precision simmering capabilities as low as 100°F (375 BTU) with 2 ExtraLow® Simmer burners
- Widest range of simmer options from 375 BTU to 3,000 BTU
- Superior griddle results-6 pass, 1630 watt electric griddle
- Grill accessory-thermostatically controlled for even heating
- Powerful, 8-pass bake and broil elements
- Third Element Convection offers precise airflow for cooking on multiple levels without flavor transfer
- Superfast 2-hour self-clean mode - fastest in the industry

Capacity

- Massive oven capacity of 5 cu.ft.
- Six rack levels for multiple item cooking

Convenience

- Full Access® telescopic racks, integrated easy-grip handle
- Star® design delivers superior heat spread for any size pan
- Simmer without stirring/scorching with exclusive ExtraLow®
- QuickClean Base® designed for easy surface cleaning
- Titanium surface non-stick, rust-proof cast-aluminum griddle
- Titanium surface non-stick, rust-proof cast-aluminum grill accessory
- Removable griddle and grill accessory for easy clean-up
- Electronic oven control ensures precise heating
- Signature blue indicator lighting
- Large oven door window for maximum viewing
- Powerful halogen lighting illuminates the oven cavity
- Sabbath mode

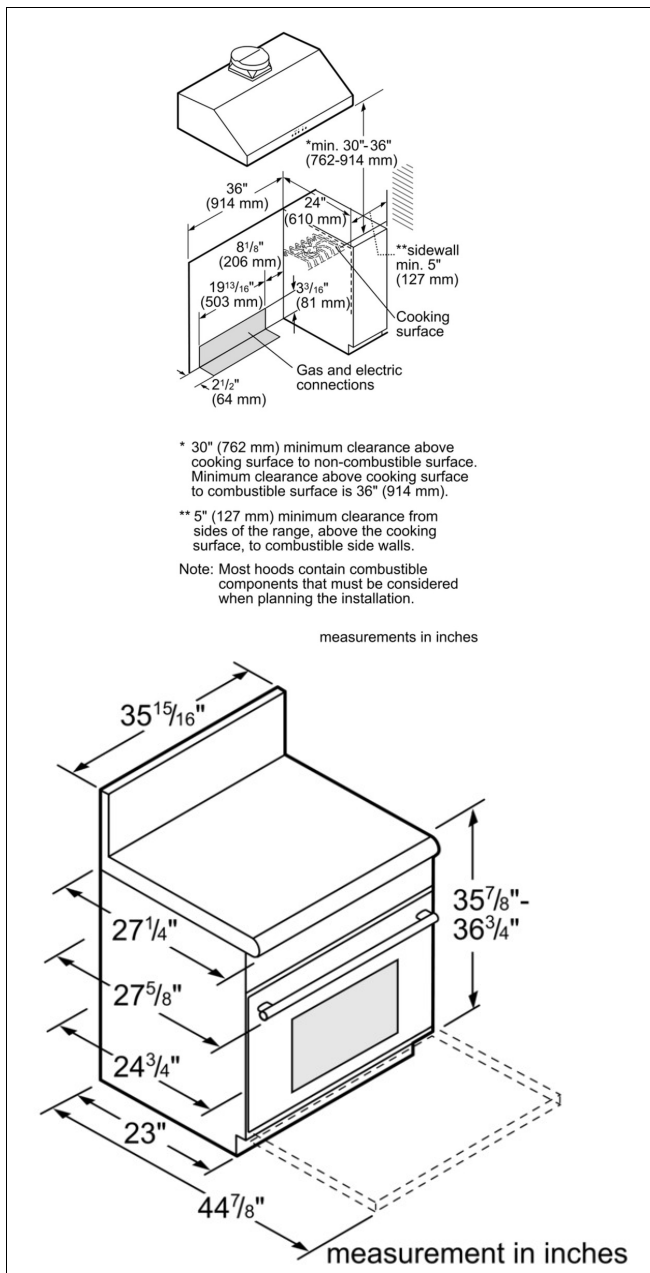
Optional accessories

PA12GRILHC 12" Grill Accessory

Professional Series

36" Dual-Fuel Standard-depth Range

PRD364GDHC - Porcelain Rangetop



Product Features

Total number of cooktop burners: 4
 Cooking method first cavity: , Bake, Broil, Convection Bake, Convection Broil, Sabbath function
 Cleaning system - cavity 1: Self Clean
 Type of control: electronical
 Knob Material: Full metal
 Included accessories: 1 x island trim, 1 x Broiler pan
 Sealed Burners: Yes
 Number of Double grates: 2
 Bake Element Wattages cavity 1 (W): 2000
 Broil Element Wattages cavity 1 (W): 4000
 Convection Element Wattages cavity 1 (W): 2750
 Number of gas burners: 4
 Location of 1st heating element: front left
 Power of 1st burner (BTU): 18000
 Location of 2nd heating element: back left
 Power of 2nd burner (BTU): 18000
 Location of 4th heating element: back right
 Power of 4th burner (BTU): 18000
 Location of 5th heating element: front right
 Power of 5th burner (BTU): 18000
 Power of griddle element: 1630
 Safety device: automatic reignition, Overheating protection, Thermostat

Consumption and connection features

UPC code: 825225881223
 Product color: Stainless steel
 Gas type: Natural gas 15 mbar (USA)
 Alternative gas type: Liquid gas 27,5 mbar (USA)
 Natural Gas Connection Rating (BTU): 72000
 Watts (W): 8350
 Current (A): 40
 Volts (V): 240/208
 Frequency (Hz): 60
 Approval certificates: CSA
 Required cutout size (HxWxD) (in): 36" width slide-in
 Overall appliance dimensions (HxWxD) (in): 35 7/8" x 35 15/16" x 24 3/4"
 Variable cooker height (in): 7/8"
 AHAM volume (of cavity) - cavity 1: 4
 Product packaging dimensions (HxWxD) (in): 49 3/4" x 42 1/4" x 36 3/4"
 Net weight (lbs): 347
 Gross weight (lbs): 385