

Professional Series

36" Dual-Fuel Standard-depth Range

PRD366GHC - Porcelain Rangetop



PRD366GHC Stainless steel

Design

- Bold Professional design
- Truly Flush Mounted™, 24" standard cabinet depth
- Patented Pedestal Star® Burner with QuickClean Base®
- Restaurant style metal knobs
- Professional style, continuous cast iron grates
- Continuous porcelain, easy to clean cooking surface

Performance

- Exclusive, patented Star® Burner – most even heating, unsurpassed flame coverage
- Every burner 18,000 BTU (NG)
- Precision simmering capabilities as low as 100°F (375 BTU) with 2 ExtraLow® Simmer burners
- Widest range of simmer options from 375 BTU to 3,000 BTU
- Powerful, 8-pass bake and broil elements
- Third Element Convection offers precise airflow for cooking on multiple levels without flavor transfer
- Superfast 2-hour self-clean mode - fastest in the industry

Capacity

- Massive oven capacity of 5 cu.ft.
- Six rack levels for multiple item cooking

Convenience

- Full Access® telescopic racks, integrated easy-grip handle
- Star® design delivers superior heat spread for any size pan
- Simmer without stirring/scorching with exclusive ExtraLow®
- QuickClean Base® designed for easy surface cleaning
- Electronic oven control ensures precise heating
- Signature blue indicator lighting
- Large oven door window for maximum viewing
- Powerful halogen lighting illuminates the oven cavity
- Sabbath mode

Optional accessories

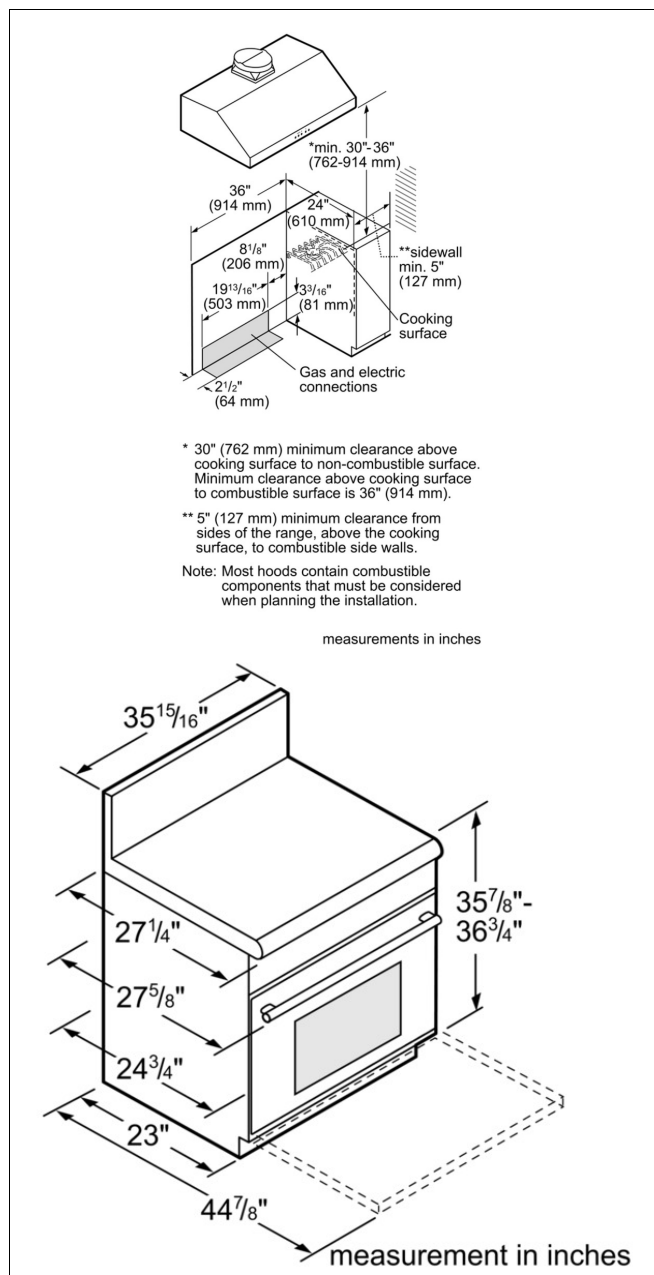
PAGRIDDLE Professional Griddle Accessory

825225881247

Professional Series

36" Dual-Fuel Standard-depth Range

PRD366GHC - Porcelain Rangen top



Product Features

- Total number of cooktop burners: 6
- Cooking method first cavity: , Bake, Broil, Convection Bake, Convection Broil, Sabbath function
- Cleaning system - cavity 1: Self Clean
- Type of control: electronical
- Knob Material: Full metal
- Included accessories: 1 x island trim, 1 x Broiler pan
- Sealed Burners: Yes
- Number of Double grates: 3
- Bake Element Wattages cavity 1 (W): 2000
- Broil Element Wattages cavity 1 (W): 4000
- Convection Element Wattages cavity 1 (W): 2750
- Number of gas burners: 6
- Location of 1st heating element: front left
- Power of 1st burner (BTU): 18000
- Location of 2nd heating element: back left
- Power of 2nd burner (BTU): 18000
- Location of 3rd heating element: middle back
- Power of 3rd burner (BTU): 18000
- Location of 4th heating element: back right
- Power of 4th burner (BTU): 18000
- Location of 5th heating element: front right
- Power of 5th burner (BTU): 18000
- Location of 6th heating element: front middle / central
- Power of 6th burner (BTU): 18000
- Safety device: automatic reignition, Overheating protection, Thermostat

Consumption and connection features

- UPC code: 825225881247
- Product color: Stainless steel
- Gas type: Natural gas 15 mbar (USA)
- Alternative gas type: Liquid gas 27,5 mbar (USA)
- Natural Gas Connection Rating (BTU): 108000
- Watts (W): 6750
- Current (A): 40
- Volts (V): 240/208
- Frequency (Hz): 60
- Approval certificates: CSA
- Required cutout size (HxWxD) (in): 36" width slide-in
- Overall appliance dimensions (HxWxD) (in): 35 7/8" x 35 15/16" x 24 3/4"
- Variable cooker height (in): 7/8"
- AHAM volume (of cavity) - cavity 1: 4
- Product packaging dimensions (HxWxD) (in): 49 3/4" x 42 1/4" x 36 3/4"