

# PRD48JD SGU 48-INCH DUAL-FUEL PRO GRAND® RANGE WITH STEAM AND GRIDDLE

PROFESSIONAL SERIES, COMMERCIAL-DEPTH, PORCELAIN COOKTOP SURFACE



## FEATURES & BENEFITS

- ★ - The only professional range on the market with a built-in steam oven and warming drawer
- ★ - 27 easy cook food programs. Pre-programmed modes automatically set the oven temperature and humidity to ensure perfect cooking results
- ★ - Patented Pedestal Star® Burner with QuickClean Base® designed for easy surface cleaning and superior heat spread for any size pan
- ★ - Powerful 22,000 BTU (NG) burner (front right)
- ★ - Precision simmering capabilities as low as 100°F (375 BTU) with 4 ExtraLow® Simmer burners

## TECHNICAL DETAILS

|                        |                             |
|------------------------|-----------------------------|
| Circuit Breaker (A)    | 50 A                        |
| Volts (V)              | 240 / 208 V                 |
| Frequency (Hz)         | 60 Hz                       |
| Plug Type              | No Plug                     |
| Power Cord Length (in) | Purchase Separately         |
| Energy Source          | Gas and Electric            |
| Gas Type               | Natural Gas 15 mbar (USA)   |
| Alternative Gas Type   | Liquid Gas 27, 5 mbar (USA) |

SEE PAGE 2 FOR OPTIONAL ACCESSORIES

## GENERAL PROPERTIES

|  |                             |
|--|-----------------------------|
| Oven Capacity  | 5.1 / 1.4 cu. ft.           |
| Cooking Modes - Main / Large Cavity  |                             |
| Convection Bake, Convection Broil, Convection Roast, Hot Air Grill, Selfcleaning Pyrolytic, Top/Bottom Heat, Top Heat, Warming                   |                             |
| Cooking Modes - Small Cavity   |                             |
| Bottom Heat, Center-Area Grill/Broiler, Circulating Air With Heating Ring, Combined Operation, Convection Bake, Convection Broil, Proof, Warming |                             |
| Programs   |                             |
| Heating-up Control, Meat Probe, Sabbath Function   |                             |
| Cleaning Type  | Self Clean (Primary)        |
| Type of Grate  | Continuous Cast Iron        |
| Controls   | Metal Knobs and LCD Display |
| Warming Drawer   | Yes                         |
| Sealed Burners   | Yes                         |

## OVEN PERFORMANCE

|                  |                             |
|------------------|-----------------------------|
| Bake Power       | 2,400 W (Lg) / 2,250 W (Sm) |
| Broil Power      | 4,000 W (Lg) / 3,600 W (Sm) |
| Convection Power | 2,750 W (Lg) / 1,800 W (Sm) |

## BURNER PERFORMANCE

|   |                       |
|---|-----------------------|
| Total Number of Cooktop Burners             | 6 + Griddle           |
| Total Cooktop BTU                           | 112,000 (NG)          |
| Power of Front Left Burner BTU              | 18,000-3,000 XLO (NG) |
| Power of Back Left Burner BTU               | 18,000-3,000 XLO (NG) |
| Power of Back Center Burner BTU             | 18,000 (NG)           |
| Power of Front Center Burner BTU            | 18,000 (NG)           |
| Power of Center 12" Electric Griddle (W)    | 1,630 W               |
| Power of Center 12" Electric Grill (W)      | N/A                   |
| Power of Far Right 12" Electric Griddle (W) | N/A                   |
| Power of Back Right Burner BTU              | 18,000-3,000 XLO (NG) |
| Power of Front Right Burner BTU             | 22,000-3,000 XLO (NG) |

## DIMENSIONS & WEIGHT

|   |                                       |
|---|---------------------------------------|
| Overall Appliance Dimensions (HxWxD) (in) | 35 7/8"–36 3/4" x 47 15/16" x 28 1/2" |
| Required Cutout Size (HxWxD) (in)         | 35 7/8"–36 3/4" x 48" x 24"–25 1/8"   |
| Adjustable Range Height (in.)             | 7/8"                                  |
| Net Weight (lbs)                          | 530 lbs                               |

## WARRANTY

|   |        |
|---|--------|
| Limited Warranty, Entire Appliance, Parts and Labor | 2 Year |
|---|--------|

SEE PAGE 2 FOR INCLUDED ACCESSORIES

★ THERMADOR EXCLUSIVE

# PRD48JDSGU 48-INCH DUAL-FUEL PRO GRAND® RANGE WITH STEAM AND GRIDDLE

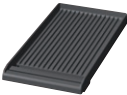

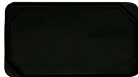














PROFESSIONAL SERIES, COMMERCIAL-DEPTH, PORCELAIN COOKTOP SURFACE

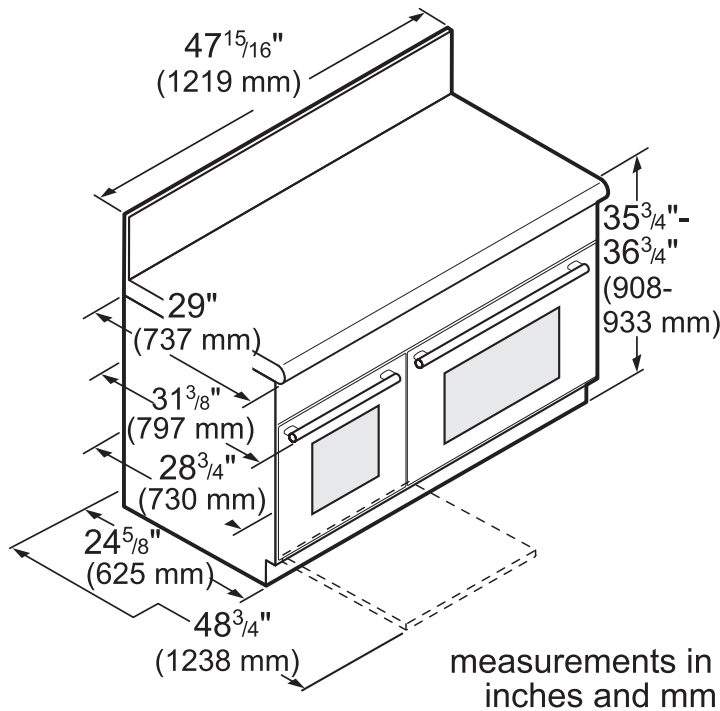
## ACCESSORIES (INCLUDED)

1 X Nozzle Set for Liquid Gas, 3 X Telescopic Rack, 2 X Temperature Sensor, 1 X Island Trim, 1 X STS Tray-GN<sup>1</sup>/<sub>3</sub>-Punched-40 mm Deep, 1 X STS Tray-GN<sup>1</sup>/<sub>3</sub>-Unpunched-40 mm Deep, 1 X STS Tray-GN<sup>2</sup>/<sub>3</sub>-Unpunched-40 mm Deep, 1 X STS Tray-GN<sup>2</sup>/<sub>3</sub>-Punched-40 mm Deep, 1 X STS Tray-GN<sup>2</sup>/<sub>3</sub>-Unpunched-28 mm Deep, 1 X Grid, 1 X Grill Plate, 1 X Broiler Pan Small, 1 X Broiler Pan

## ACCESSORIES (OPTIONAL)

|  |   |  |  |  |  |
|--|---|--|--|--|--|
|   | PA12GRILLN<br>Pro Grill                   |   | PAGRIDDLEN<br>Griddle for Indoor<br>Electric Grill                                     |   | PAGRIDDLE<br>Griddle   |
|   | PA12CVRJ<br>12" Pro Grill / Griddle Cover |   | PA12CHPBLK<br>12" Cutting Board  |   | PWOKRINGHC<br>Wok Ring   |
|    | PA48JLBSG<br>9" Low Backguard             |   | PA48JTKG<br>Toekick  |   | PAKNOBLUNG<br>Blue Knob Pro Grand Kit  |
|   | CSRACKH<br>Wire Rack                      |   | CS1XLPH<br>Perforated Cooking Pan-<br>Half Size (1 <sup>5</sup> / <sub>8</sub> " Deep) |   | CS2XLPH<br>Perforated Cooking Pan-<br>Full Size (1 <sup>5</sup> / <sub>8</sub> " Deep) |
|  | CS2XLH<br>Cooking Pan- Full Size          |  | CS1XLH<br>Cooking Pan- Half Size   |  | CS2LH<br>Baking Tray   |

## 48-INCH RANGE DIMENSIONS

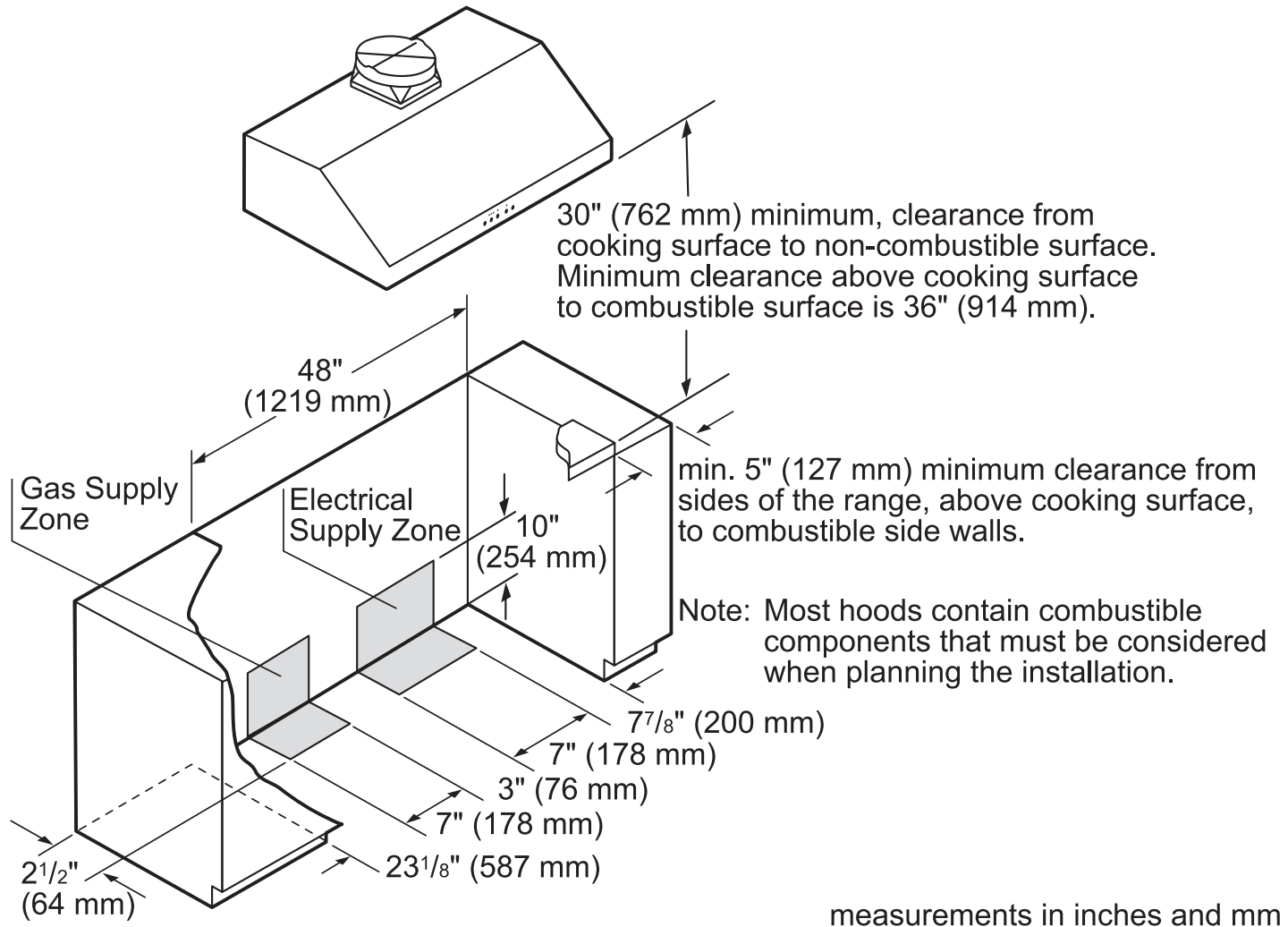


**PRD48JDSGU**  
**48-INCH DUAL-FUEL PRO GRAND® RANGE**  
**WITH STEAM AND GRIDDLE**



PROFESSIONAL SERIES, COMMERCIAL-DEPTH, PORCELAIN COOKTOP SURFACE

**48-INCH RANGE CUTOUT DIMENSIONS**



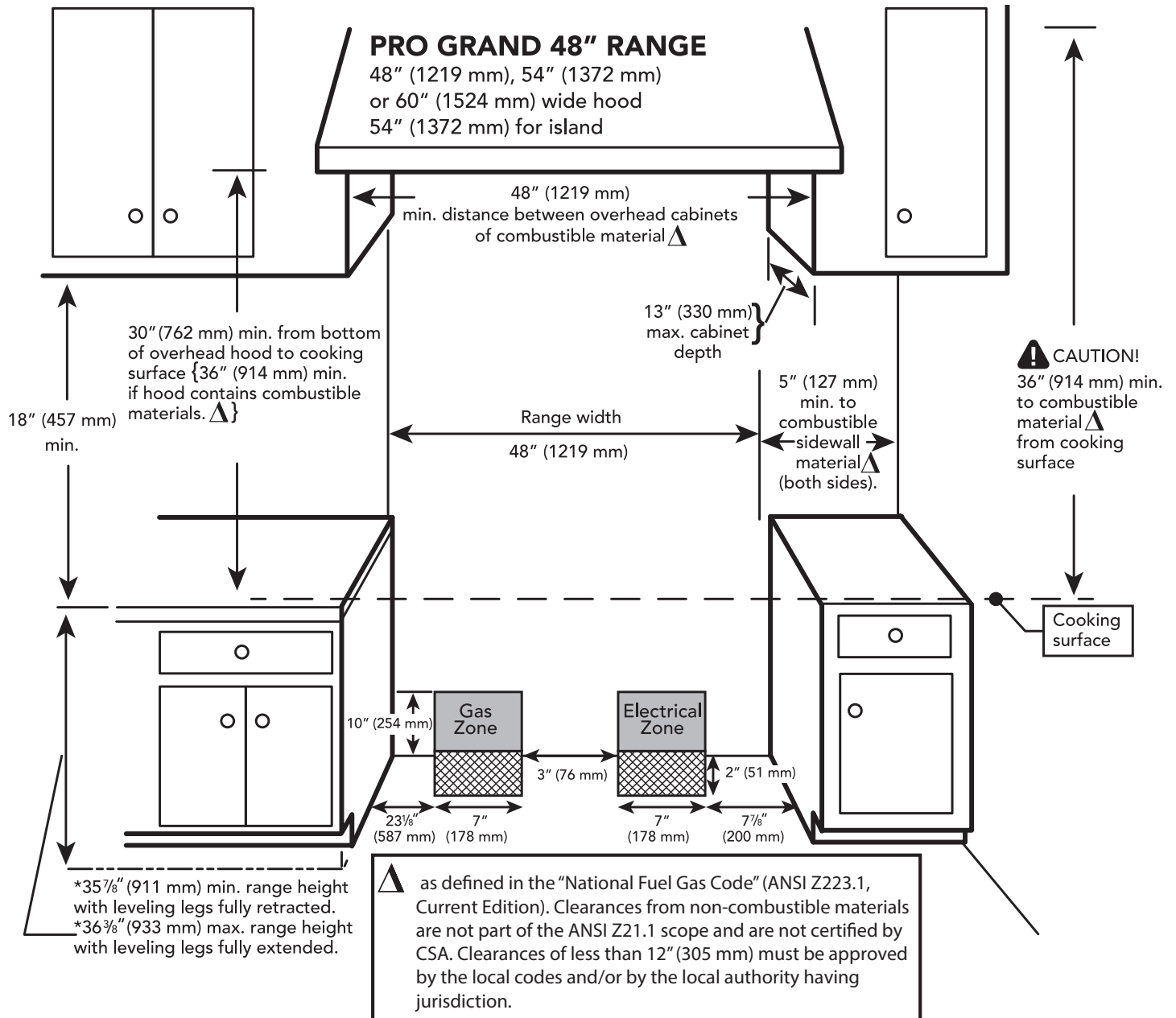
measurements in inches and mm

# PRD48JDSGU 48-INCH DUAL-FUEL PRO GRAND® RANGE WITH STEAM AND GRIDDLE



PROFESSIONAL SERIES, COMMERCIAL-DEPTH, PORCELAIN COOKTOP SURFACE

## 48-INCH RANGE CUTOUT DIMENSIONS



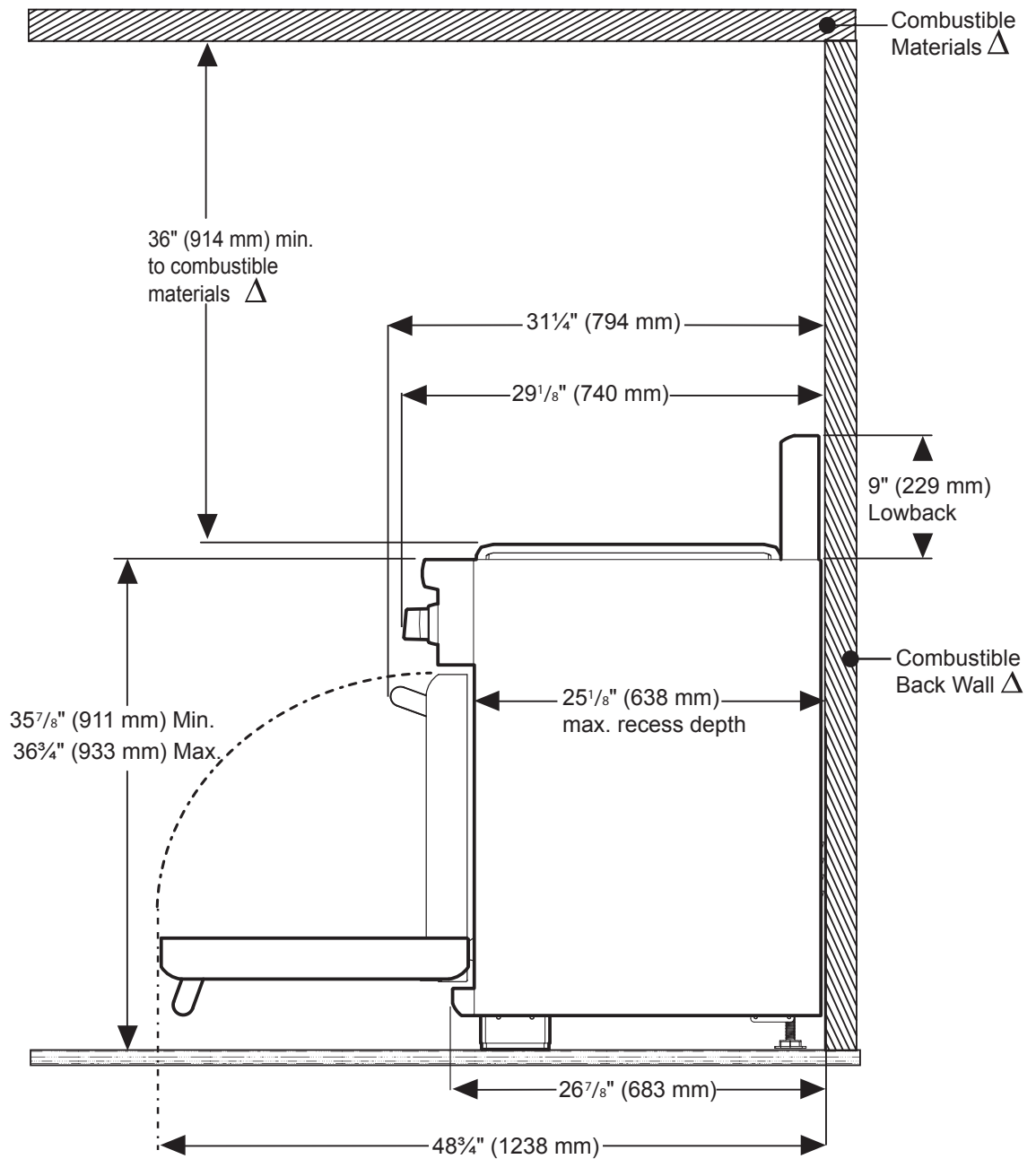
# PRD48JDSGU 48-INCH DUAL-FUEL PRO GRAND® RANGE WITH STEAM AND GRIDDLE



PROFESSIONAL SERIES, COMMERCIAL-DEPTH, PORCELAIN COOKTOP SURFACE

## 48-INCH RANGE DIMENSIONS AND CLEARANCE REQUIREMENTS WITH "LOW BACK"

**NOTE:** A 36-inch minimum clearance is required between the top of the cooking surface and the bottom of an unprotected cabinet. A 30-inch clearance can be used when the bottom of the wood or metal cabinet is protected by not less than 1/4 inch of a flame retardant material covered with not less than No. 28 MSG sheet steel, 0.015 inch (0.4 mm) thick stainless steel, 0.024 inch (0.6 mm) aluminum, or 0.020 inch (0.5 mm) thick copper.



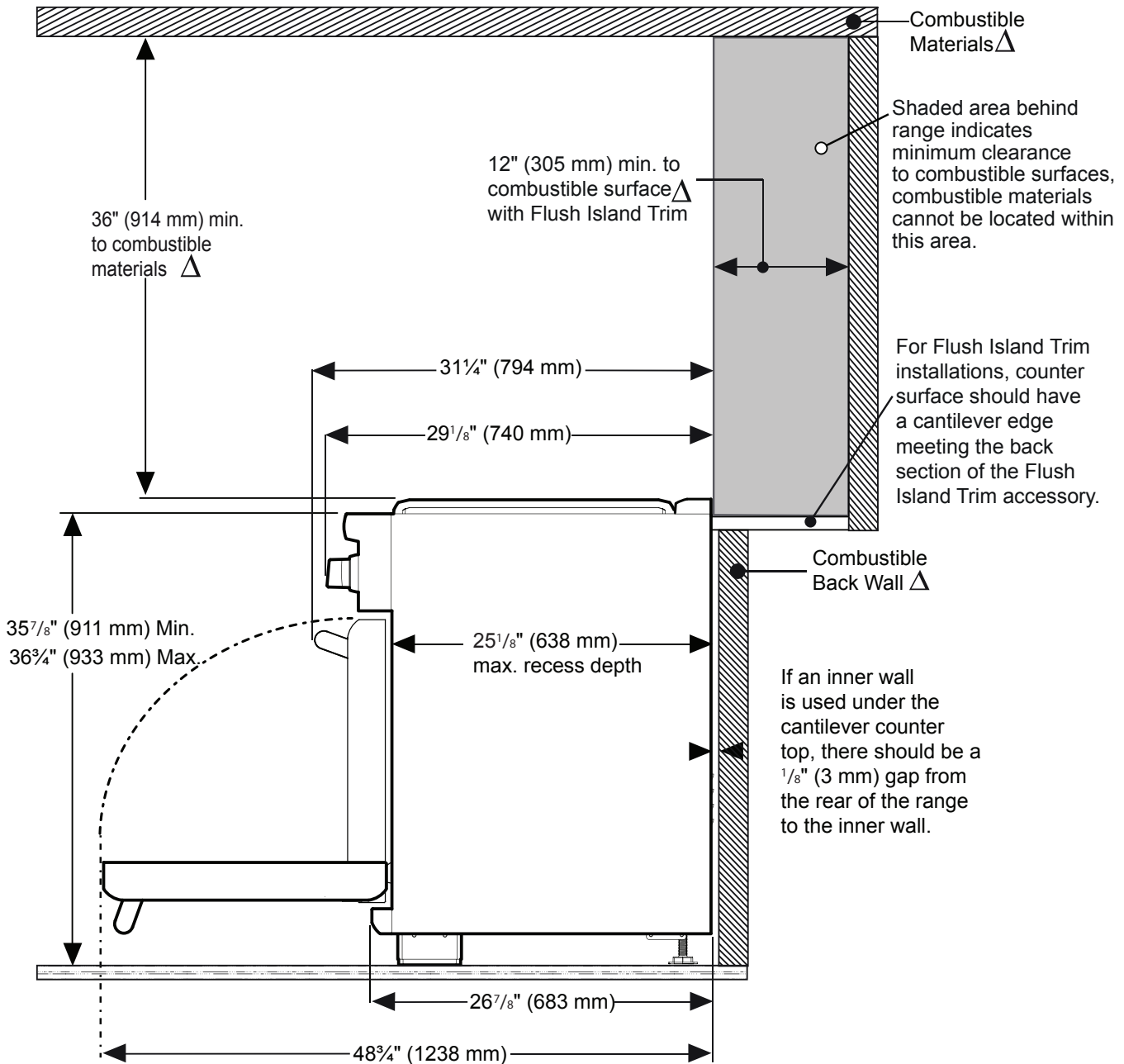
△ As defined in the "National Fuel Gas Code" (ANSI Z223.1, Current Edition). Clearances from non-combustible materials are not part of the ANSI Z21.1 scope and are not certified by CSA. Clearances of less than 12" (305 mm) must be approved by the local codes and/or by the local authority having jurisdiction.

# PRD48JDSGU 48-INCH DUAL-FUEL PRO GRAND® RANGE WITH STEAM AND GRIDDLE

PROFESSIONAL SERIES, COMMERCIAL-DEPTH, PORCELAIN COOKTOP SURFACE



## 48-INCH RANGE DIMENSIONS AND CLEARANCE REQUIREMENTS WITH "FLUSH ISLAND TRIM"



△ As defined in the "National Fuel Gas Code" (ANSI Z223.1, Current Edition). Clearances from non-combustible materials are not part of the ANSI Z21.1 scope and are not certified by CSA. Clearances of less than 12" (305 mm) must be approved by the local codes and/or by the local authority having jurisdiction.

These warranties give you specific legal rights and you may have other rights that vary from state to state. Full warranty and limited warranty from date of installation. For complete warranty details, refer to your Use & Care manual, or ask your dealer.

Specifications are for planning purposes only. Refer to installation instructions and consult your countertop supplier prior to making counter opening. Consult with a heating and ventilation engineer for your specific ventilation requirements. For the most detailed information, refer to installation instructions accompanying product or write to Thermador indicating the model number. Specifications are correct at time of printing. Thermador reserves the right to change product specifications or design without notice. Some models are certified for use in Canada. Thermador is not responsible for products that are transported from the U.S. for use in Canada.