

PRD48NCSGU

48-INCH DUAL-FUEL PRO GRAND® RANGE WITH STEAM, GRIDDLE AND GRILL

PROFESSIONAL SERIES, COMMERCIAL-DEPTH, PORCELAIN COOKTOP SURFACE



FEATURES & BENEFITS

- ★ - The only range in the market with a steam and convection combination oven, plus a full-size convection oven and a warming drawer
- ★ - 27 easy cook food programs. Pre-programmed modes automatically set the oven temperature and humidity to ensure perfect cooking results
- ★ - Patented Pedestal Star® Burner with QuickClean Base® designed for easy surface cleaning and superior heat spread for any size pan
- ★ - Powerful 22,000 BTU (NG) burner (front right)
- ★ - Precision simmering capabilities as low as 100°F (375 BTU) with 4 ExtraLow® Simmer burners

TECHNICAL DETAILS

Circuit Breaker (A)	50 A
Volts (V)	240 / 208 V
Frequency (Hz)	60 Hz
Plug Type	No Plug
Power Cord Length (in)	Purchase Separately
Energy Source	Gas and Electric
Gas Type	Natural Gas 15 mbar (USA)
Alternative Gas Type	Liquid Gas 27, 5 mbar (USA)

SEE PAGE 2 FOR OPTIONAL ACCESSORIES

GENERAL PROPERTIES

Oven Capacity	5.1 / 1.4 cu. ft.
Cooking Modes - Main / Large Cavity	
Convection Bake, Convection Broil, Convection Roast, Hot Air Grill, Selfcleaning Pyrolytic, Top/Bottom Heat, Top Heat, Warming	
Cooking Modes - Small Cavity	
Bottom Heat, Center-Area Grill/Broiler, Circulating Air With Heating Ring, Combined Operation, Convection Bake, Convection Broil, Proof, Warming	
Programs	
Heating-up Control, Meat Probe, Sabbath Function	
Cleaning Type	Self Clean (Primary)
Type of Grate	Continuous Cast Iron
Controls	Metal Knobs and LCD Display
Warming Drawer	Yes
Sealed Burners	Yes

OVEN PERFORMANCE

Bake Power	2,400 W (Lg) / 2,250 W (Sm)
Broil Power	4,000 W (Lg) / 3,600 W (Sm)
Convection Power	2,750 W (Lg) / 1,800 W (Sm)

BURNER PERFORMANCE

Total Number of Cooktop Burners	4 +Griddle,+ Grill
Total Cooktop BTU	76,000 (NG)
Power of Front Left Burner BTU	18,000-3,000 XLO (NG)
Power of Back Left Burner BTU	18,000-3,000 XLO (NG)
Power of Back Center Burner BTU	18,000-3,000 XLO (NG)
Power of Front Center Burner BTU	22,000-3,000 XLO (NG)
Power of Center 12" Electric Griddle (W)	N/A
Power of Center 12" Electric Grill (W)	2,000 W
Power of Far Right 12" Electric Griddle (W)	1,630 W
Power of Back Right Burner BTU	N/A
Power of Front Right Burner BTU	N/A

DIMENSIONS & WEIGHT

Overall Appliance Dimensions (HxWxD) (in)	35 7/8"-36 3/4" x 47 15/16" x 28 1/2"
Required Cutout Size (HxWxD) (in)	35 7/8"-36 3/4" x 48" x 24"-25 1/8"
Adjustable Range Height (in.)	7/8"
Net Weight (lbs)	530 lbs

WARRANTY

Limited Warranty, Entire Appliance, Parts and Labor	2 Year
---	--------

SEE PAGE 2 FOR INCLUDED ACCESSORIES

★ THERMADOR EXCLUSIVE

PRD48NCSGU

48-INCH DUAL-FUEL PRO GRAND® RANGE WITH STEAM, GRIDDLE AND GRILL



PROFESSIONAL SERIES, COMMERCIAL-DEPTH, PORCELAIN COOKTOP SURFACE

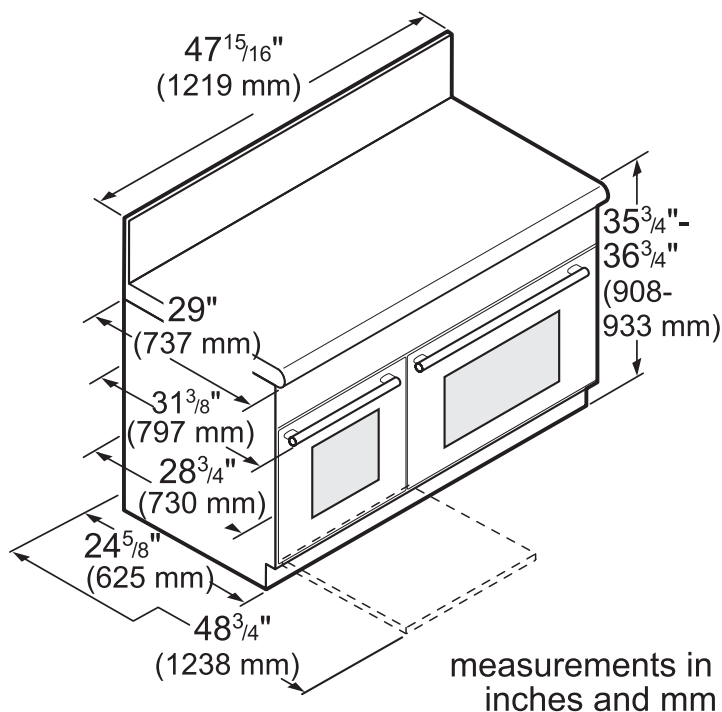
ACCESSORIES (INCLUDED)

1 X Nozzle Set for Liquid Gas, 3 X Telescopic Rack, 1 X Temperature Sensor, 1 X Island Trim, 1 X STS Tray-GN¹/₃-Punched-40 mm Deep, 1 X STS Tray-GN¹/₃-Unpunched-40 mm Deep, 1 X STS Tray-GN²/₃-Unpunched-40 mm Deep, 1 X STS Tray-GN²/₃-Punched-40 mm Deep, 1 X STS Tray-GN²/₃-Unpunched-28 mm Deep, 1 X Grid, 1 X Grill Plate, 1 X Broiler Pan Small, 1 X Broiler Pan

ACCESSORIES (OPTIONAL)

	PABRICKBKN Black Ceramic Briquettes with Basket		PA12GRILLN Pro Grill		PAGRIDDLEN Griddle for Indoor Electric Grill
	PAGRIDDLE Griddle		PA12LCVRN 12" Pro Grill Cover for Indoor Electric Grill		PA12CHPBLK 12" Cutting Board
	PWOKRINGHC Wok Ring		PA48JLBSG 9" Low Backguard		PA48JTKG Toekick
	PAKNOBLUNG Blue Knob Pro Grand Kit		CSRACKH Wire Rack		CS1XLPH Perforated Cooking Pan- Half Size (1 5/8" Deep)
	CS2XLPH Perforated Cooking Pan- Full Size (1 5/8" Deep)		CS2XLH Cooking Pan- Full Size		CS1XLH Cooking Pan- Half Size
	CS2LH Baking Tray				

48-INCH RANGE DIMENSIONS

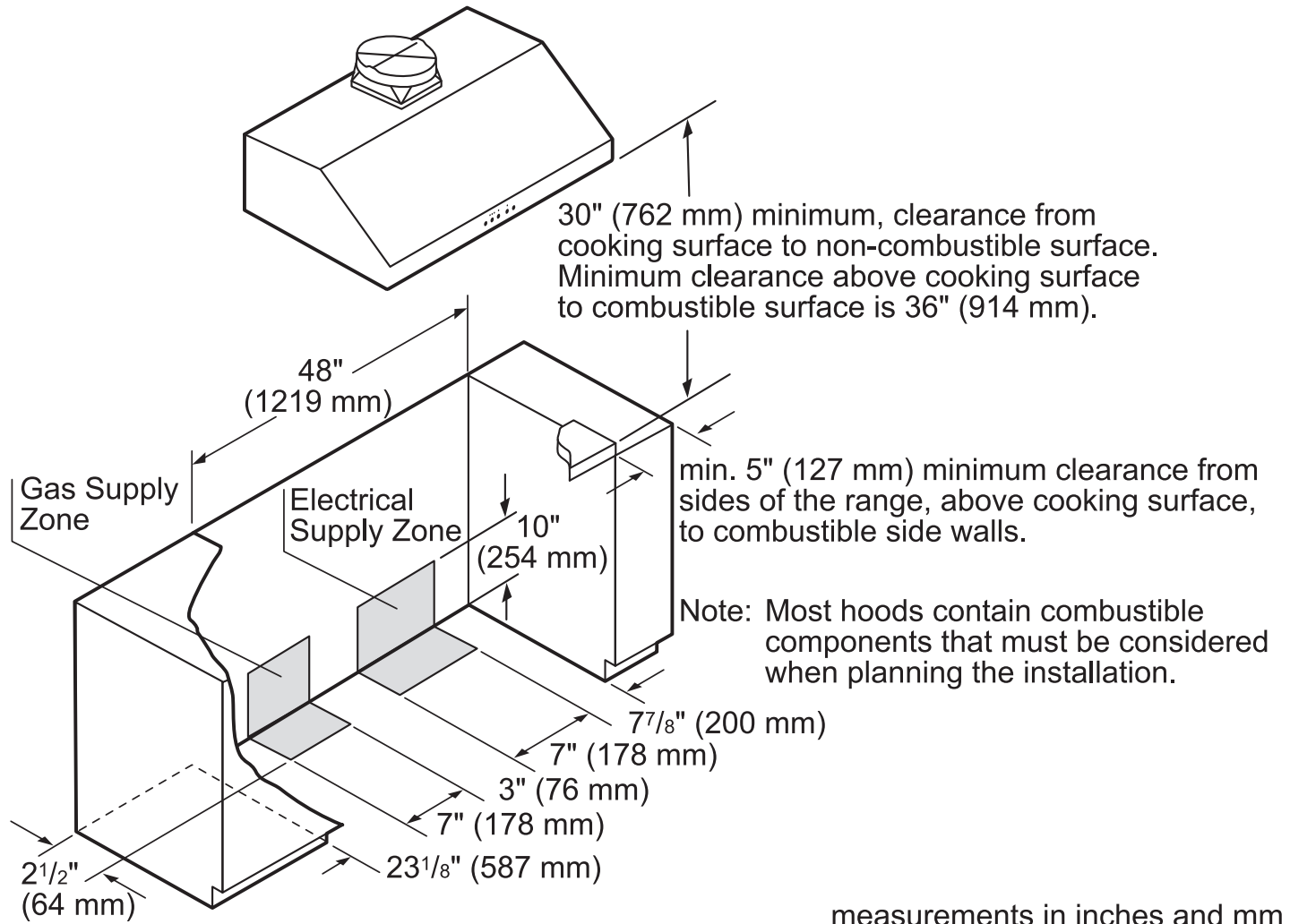


PRD48NCSGU
48-INCH DUAL-FUEL PRO GRAND® RANGE
WITH STEAM, GRIDDLE AND GRILL

PROFESSIONAL SERIES, COMMERCIAL-DEPTH, PORCELAIN COOKTOP SURFACE



48-INCH RANGE CUTOUT DIMENSIONS

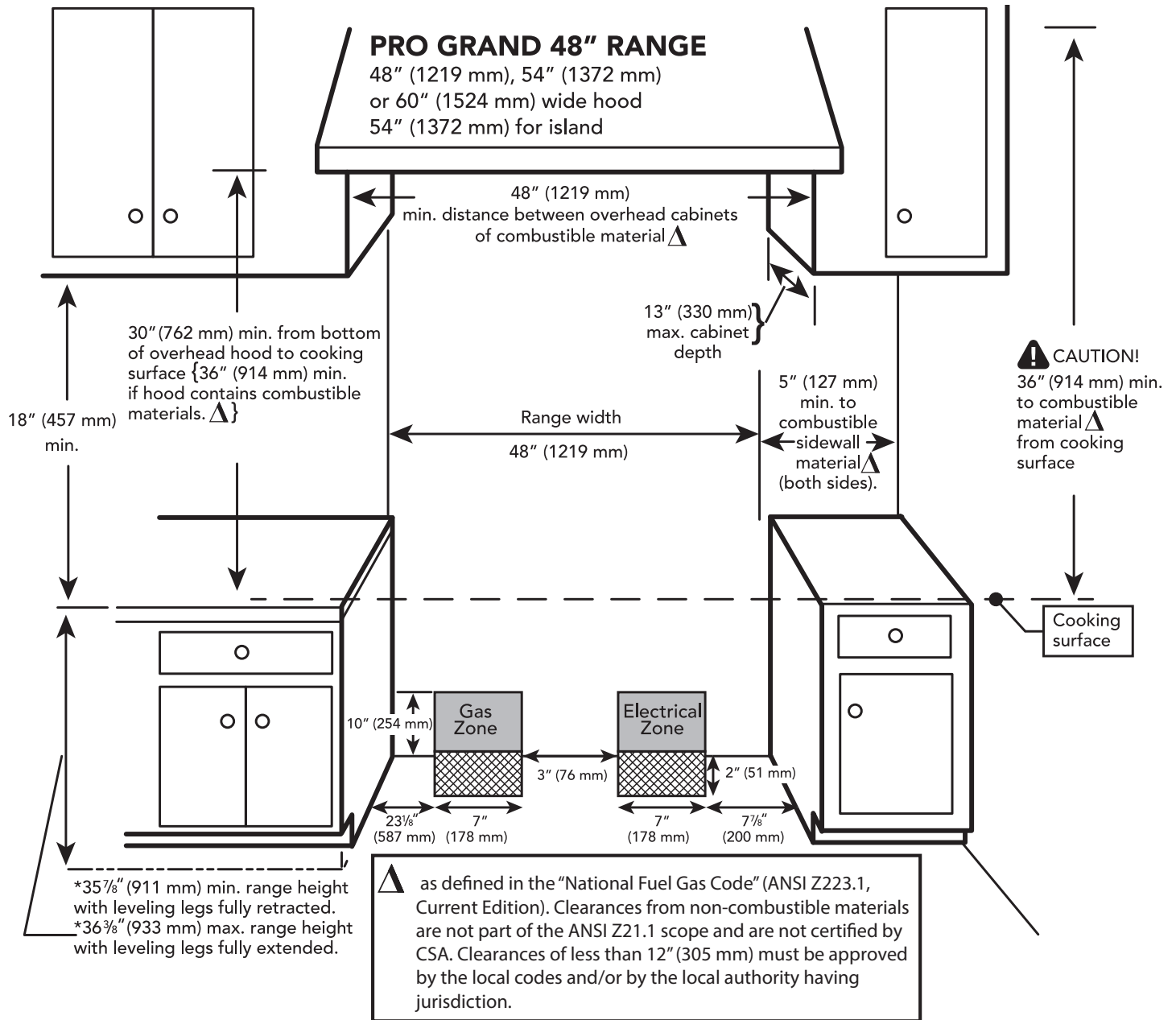


PRD48NCSGU 48-INCH DUAL-FUEL PRO GRAND® RANGE WITH STEAM, GRIDDLE AND GRILL

PROFESSIONAL SERIES, COMMERCIAL-DEPTH, PORCELAIN COOKTOP SURFACE



48-INCH RANGE CUTOUT DIMENSIONS



PRD48NCSGU

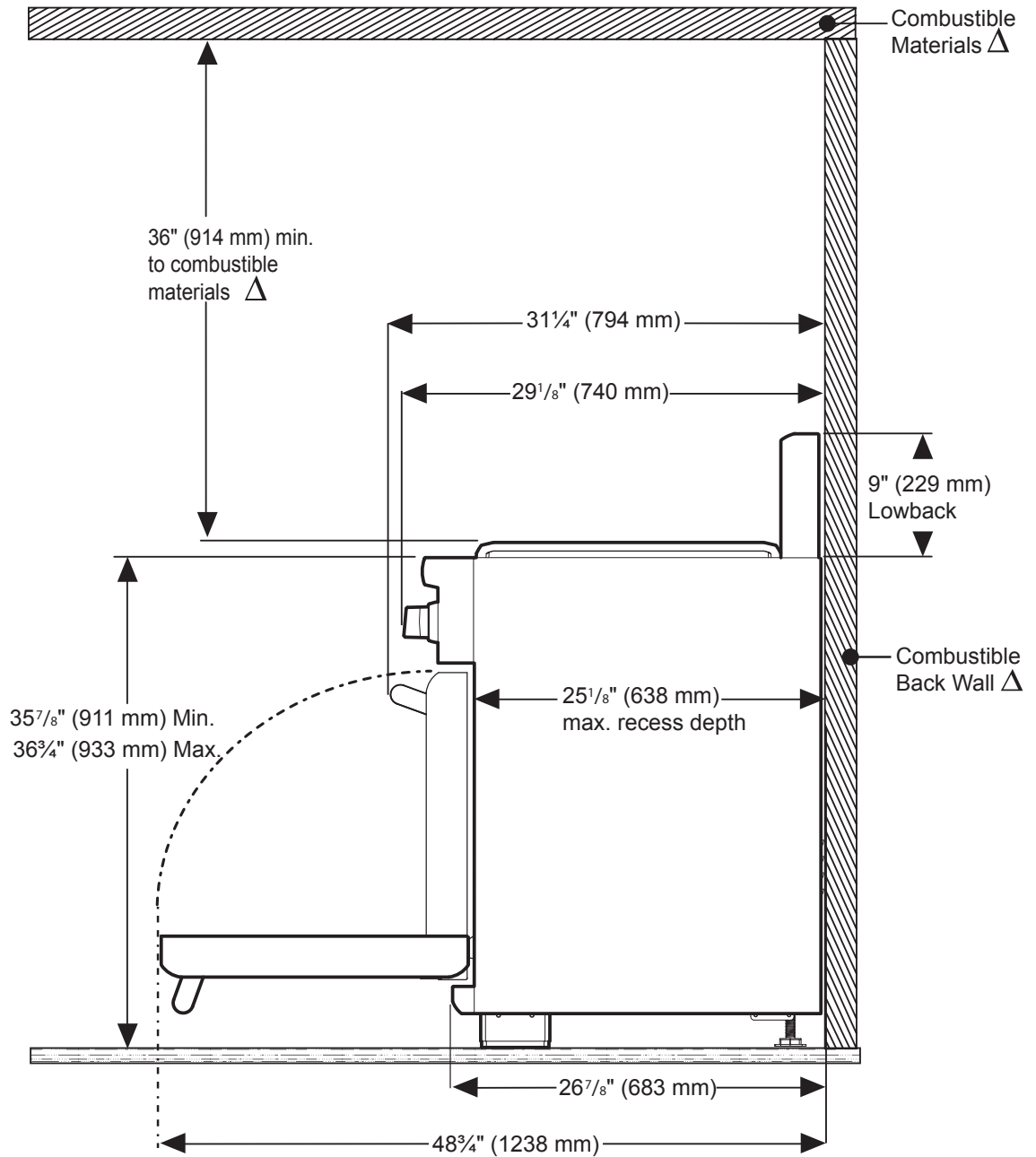
48-INCH DUAL-FUEL PRO GRAND® RANGE WITH STEAM, GRIDDLE AND GRILL

PROFESSIONAL SERIES, COMMERCIAL-DEPTH, PORCELAIN COOKTOP SURFACE



48-INCH RANGE DIMENSIONS AND CLEARANCE REQUIREMENTS WITH "LOW BACK"

NOTE: A 36-inch minimum clearance is required between the top of the cooking surface and the bottom of an unprotected cabinet. A 30-inch clearance can be used when the bottom of the wood or metal cabinet is protected by not less than 1/4 inch of a flame retardant material covered with not less than No. 28 MSG sheet steel, 0.015 inch (0.4 mm) thick stainless steel, 0.024 inch (0.6 mm) aluminum, or 0.020 inch (0.5 mm) thick copper.

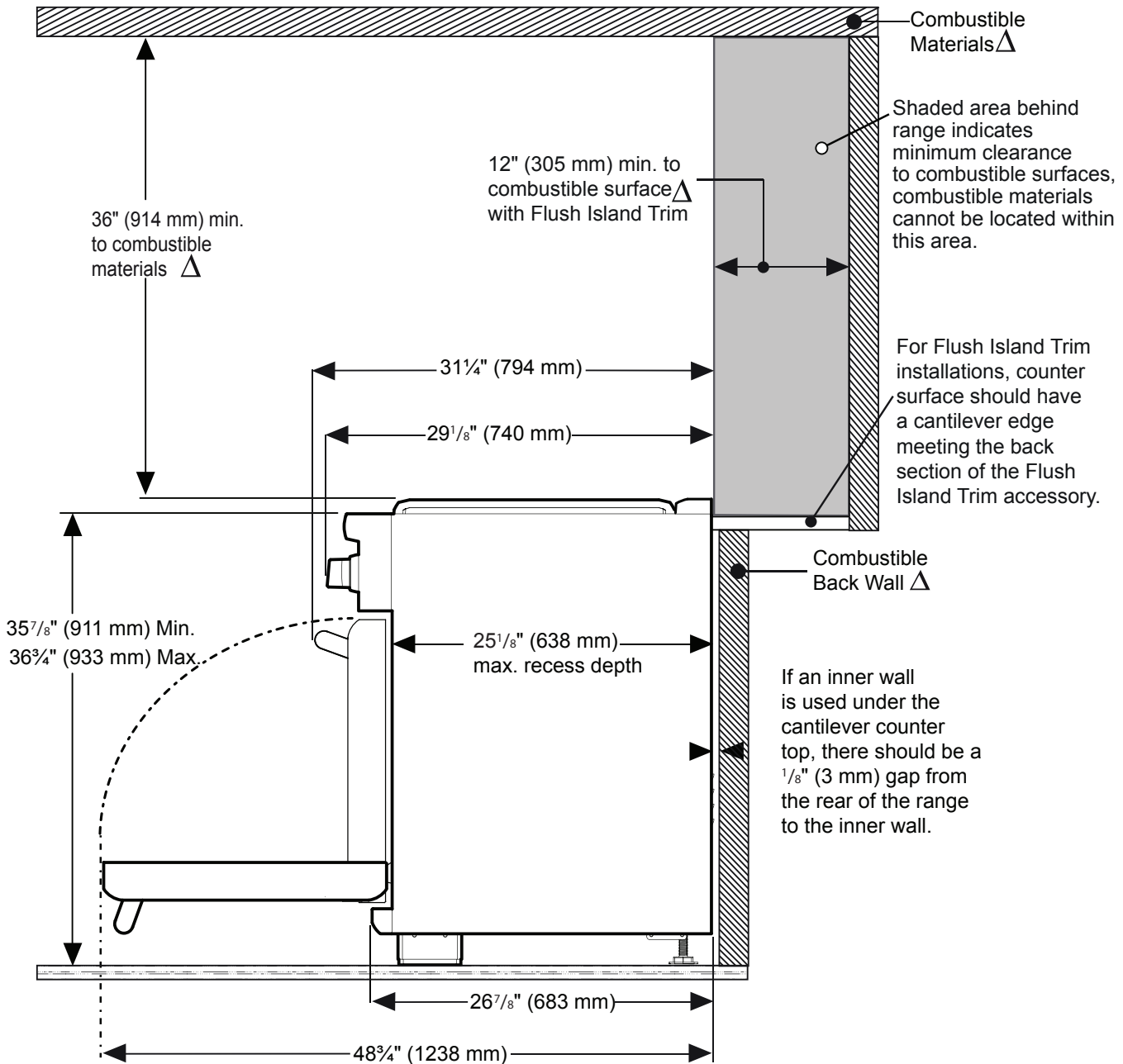


Δ As defined in the "National Fuel Gas Code" (ANSI Z223.1, Current Edition). Clearances from non-combustible materials are not part of the ANSI Z21.1 scope and are not certified by CSA. Clearances of less than 12" (305 mm) must be approved by the local codes and/or by the local authority having jurisdiction.

PRD48NCSGU
48-INCH DUAL-FUEL PRO GRAND® RANGE
WITH STEAM, GRIDDLE AND GRILL
 PROFESSIONAL SERIES, COMMERCIAL-DEPTH, PORCELAIN COOKTOP SURFACE



48-INCH RANGE DIMENSIONS AND CLEARANCE REQUIREMENTS WITH "FLUSH ISLAND TRIM"



△ As defined in the "National Fuel Gas Code" (ANSI Z223.1, Current Edition). Clearances from non-combustible materials are not part of the ANSI Z21.1 scope and are not certified by CSA. Clearances of less than 12" (305 mm) must be approved by the local codes and/or by the local authority having jurisdiction.

These warranties give you specific legal rights and you may have other rights that vary from state to state. Full warranty and limited warranty from date of installation. For complete warranty details, refer to your Use & Care manual, or ask your dealer.

Specifications are for planning purposes only. Refer to installation instructions and consult your countertop supplier prior to making counter opening. Consult with a heating and ventilation engineer for your specific ventilation requirements. For the most detailed information, refer to installation instructions accompanying product or write to Thermador indicating the model number. Specifications are correct at time of printing. Thermador reserves the right to change product specifications or design without notice. Some models are certified for use in Canada. Thermador is not responsible for products that are transported from the U.S. for use in Canada.