

48" Professional Series Pro Grand Commercial Depth Dual Fuel Steam Range PRD48NLSGC



PRD48NLSGC Stainless steel

INNOVATION

- The only range in the market with a steam and convection combination oven, plus a full-size convection oven and a warming drawer
- 27 Easy Cook® food programs. Pre-programmed modes automatically set the oven temperature and humidity to ensure perfect cooking results
- Patented Pedestal Star® Burner with QuickClean Base® designed for easy surface cleaning and superior heat spread for any size pan
- Powerful 22,000 BTU (NG) burner (front right)
- Precision simmering capabilities as low as 100°F (375 BTU) with 4 ExtraLow® Simmer burners
- SoftClose® hinges for ultra smooth closing of both ovens and the warming drawer.
- Glass surface warming drawer

PERFORMANCE

- 18,000 BTU (NG) Star® Burners
- Superior grilling results, 2000 watt electric grill
- 1.4 cu.ft. steam cavity easily accommodates a 14lb. Turkey
- Steam oven features 9 advanced conventional cooking modes
- Steam cavity is non-plumbed, for easy installation into any home
- Steam Clean function helps keep the steam oven spotless
- Electronic oven display interfaces to cook timer, CookControl™ meat probe and preheat status with audible alert
- Third Element Convection offers precise airflow for cooking on multiple levels without flavor transfer
- Powerful, 4000 Watt 8-pass broil elements in large oven
- Full Access® telescopic rack, with integrated easy-grip handle
- Spacious 1.1 cu. ft. warming drawer holds up to ten 11" dinner plates
- Drawer has open sides for easy and convenient access
- Star-K Kosher certified

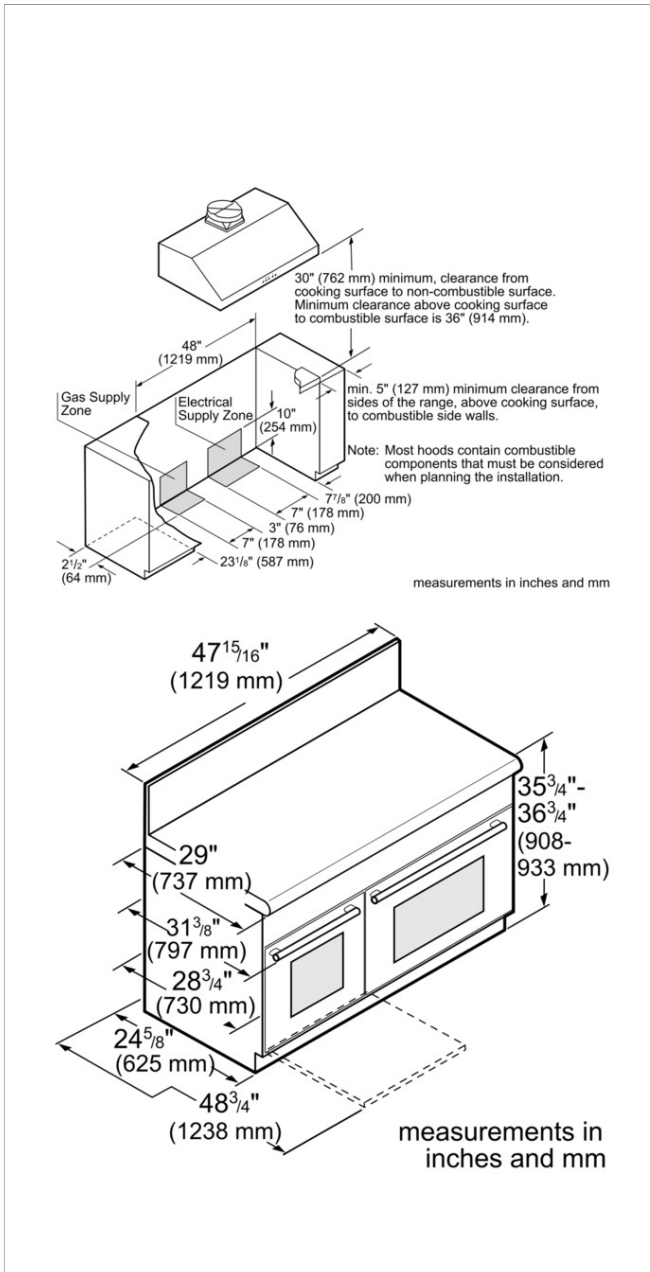
DESIGN

- Distinctive three door design showcases Thermador's self-assured bold and elegant design
- Pinhole and panel lighting concepts provide functional and stylish aesthetics
- Professional style, continuous cast iron grates
- Continuous porcelain, easy to clean cooking surface
- Hidden bake element makes clean-up one smooth surface
- Large oven door window for maximum viewing

Optional accessories

PA12CHPBLK 12" Professional Chopping Block Acc
PA12LCVRN 12" Professional Grill Cover Accessory
PA48.IHSG 48" High Shelf for Pro Grand Ranges

48" Professional Series Pro Grand Commercial Depth Dual Fuel Steam Range PRD48NLSGC



Product Features

Construction type: Freestanding
 Product color: Stainless steel
 Power cord length (cm): 137
 Net weight (kg): 229.0
 Gross weight (kg): 254.0

Consumption and connection features

Energy consumption conventional (kWh) - cavity 1:
 Energy consumption forced air convection (kWh) - cavity 1:
 Watts (W):
 Current (A): 50
 Volts (V): 240/208
 Frequency (Hz): 60
 Plug type: 240V-4 prong

2015-04-10