

PRD606RCG

60-INCH DUAL-FUEL PRO GRAND® RANGE WITH GRILL AND GRIDDLE

PROFESSIONAL SERIES, COMMERCIAL-DEPTH, PORCELAIN COOKTOP SURFACE



FEATURES & BENEFITS

- ★ - Largest Pro Range Oven capacity in the industry @ 10.6 cu. ft. overall (5.7 cu. ft. main oven & 4.9 cu. ft. secondary oven)
- ★ - Superior grilling results, 2000 watt Indoor Electric Grill with Ceramic Briquettes in addition to 12" electric griddle and 6 powerful Star® Burners
- ★ - Patented Pedestal Star® Burner with QuickClean Base® designed for easy surface cleaning and superior heat spread for any size pan
- ★ - Powerful 22,000 BTU (NG) burner (front left)
- ★ - Precision simmering capabilities as low as 100°F (375 BTU) with 4 ExtraLow® Simmer burners
- ★ - SoftClose® hinges for ultra smooth closing of the oven door
- ★ - Two hour rapid self-cleaning

TECHNICAL DETAILS

Circuit Breaker (A)	50 A
Volts (V)	240 / 208 V
Frequency (Hz)	60 Hz
Plug Type	240V-4 Prong
Power Cord Length (in)	Purchase Separately
Energy Source	Gas and Electric
Gas Type	Natural Gas 15 mbar (USA)
Alternative Gas Type	Liquid Gas 27.5 mbar (USA)

SEE PAGE 2 FOR OPTIONAL ACCESSORIES

ACCESSORIES (INCLUDED)

1 X Nozzle Set for Liquid Gas, 3 X Telescopic Racks, 3 X Telescopic Racks - Secondary Oven, 1 X Temperature Sensor, 1 X Island Trim, 1 X Grill Plate, 1 X Broiler Pan Small, 1 X Broiler Pan, Probe

WARRANTY

Limited Warranty, Entire Appliance, Parts and Labor	2 Year
---	--------

★ THERMADOR EXCLUSIVE

GENERAL PROPERTIES

Oven Capacity	5.7 / 4.9 cu. ft.
Cooking Modes - Main / Large Cavity	
Bake, Convection Bake, Broil, Convection Broil, Roast, Convection Roast, Self Clean, Keep Warm	
Cooking Modes - Small Cavity	
Bake, Convection Bake, Broil, Convection Broil, Roast, Convection Roast, Self Clean, Proof	
Additional Features	
Meat Probe, Sabbath Function, Cook Timer, Kitchen Timer	
Cleaning Type	Self Clean (Both)
Type of Grate	Continuous Cast Iron
Controls	Metal Knobs and LCD Display
Warming Drawer	No
Sealed Burners	Yes

OVEN PERFORMANCE

Bake Power	2,000 W (Lg) / 2,000 W (Sm)
Broil Power	3,600 W (Lg) / 3,000 W (Sm)
Convection Power	2,750 W (Lg) / 2,750 W (Sm)

BURNER PERFORMANCE

Total Number of Cooktop Burners	6 + Griddle + Grill
Power of Front Left Burner BTU	22,000 (NG) / 18,000 (LP) and XLO
Power of Back Left Burner BTU	12,500 (NG) / 11,000 (LP) and XLO
Power of Back Center Burner BTU	12,500 (NG) / 11,000 (LP)
Power of Front Center Burner BTU	18,000 (NG) / 15,000 (LP)
Power of Center 12" Electric Griddle (W)	N/A
Power of Center 12" Electric Grill (W)	2,000 W
Power of Center 24" Dual Zone Electric Griddle	N/A
Power of Far Right 12" Electric Griddle (W)	1,630 W
Power of Back Right Burner BTU	15,000 (NG) / 9,100 (LP) and XLO
Power of Front Right Burner BTU	18,000 (NG) / 15,000 (LP) and XLO

DIMENSIONS & WEIGHT

Overall Appliance Dimensions (HxWxD) (in)	35 7/8" - 36 3/4" x 59 15/16" x 28 3/4"
Required Cutout Size (HxWxD) (in)	35 7/8" - 36 3/4" x 60" x 24" - 25 1/8"
Adjustable Range Height (in.)	7/8"
Net Weight (lbs)	668 lbs

PRD606RCG

60-INCH DUAL-FUEL PRO GRAND® RANGE WITH GRILL AND GRIDDLE

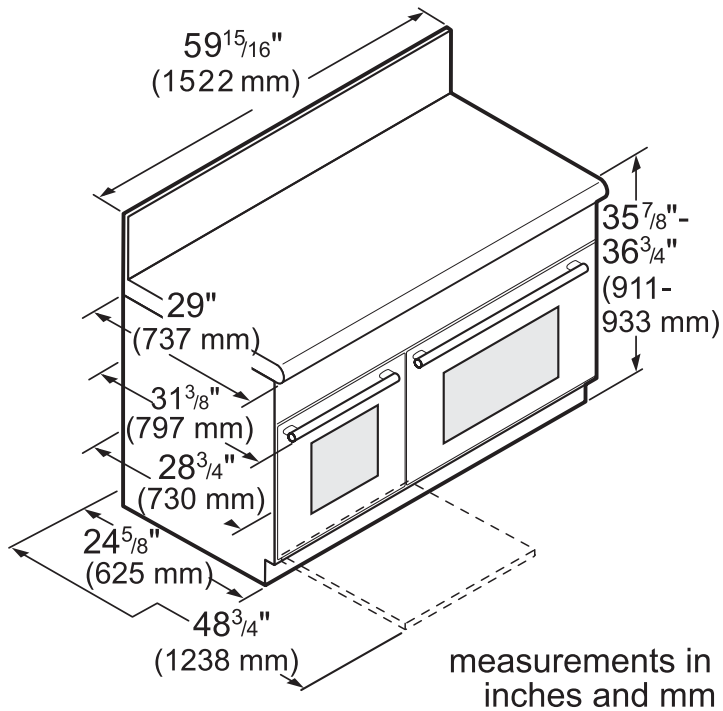
PROFESSIONAL SERIES, COMMERCIAL-DEPTH, PORCELAIN COOKTOP SURFACE



ACCESSORIES (OPTIONAL)

- | | | | | | |
|--|---|---|---|---|--|
|  | PABRICKBKN
Black Ceramic Briquettes
with Basket |  | PA12GRILLN
Pro Grill |  | PAGRIDDLEN
Griddle for Indoor
Electric Grill |
|  | PAGRIDDLE
Griddle |  | PA12LCVRN
12" Pro Grill Cover for
Indoor Electric Grill |  | PA12CVRJ
12" Pro Griddle Cover |
|  | PA12CHPBLK
12" Cutting Board |  | PWOKRINGHC
Wok Ring |  | PA60RLBG
9" Low Backguard |
|  | PA60RTKG
Toekick |  | PAKNOBLURG
Blue Knob Pro Grand Kit | | |

60-INCH RANGE DIMENSIONS



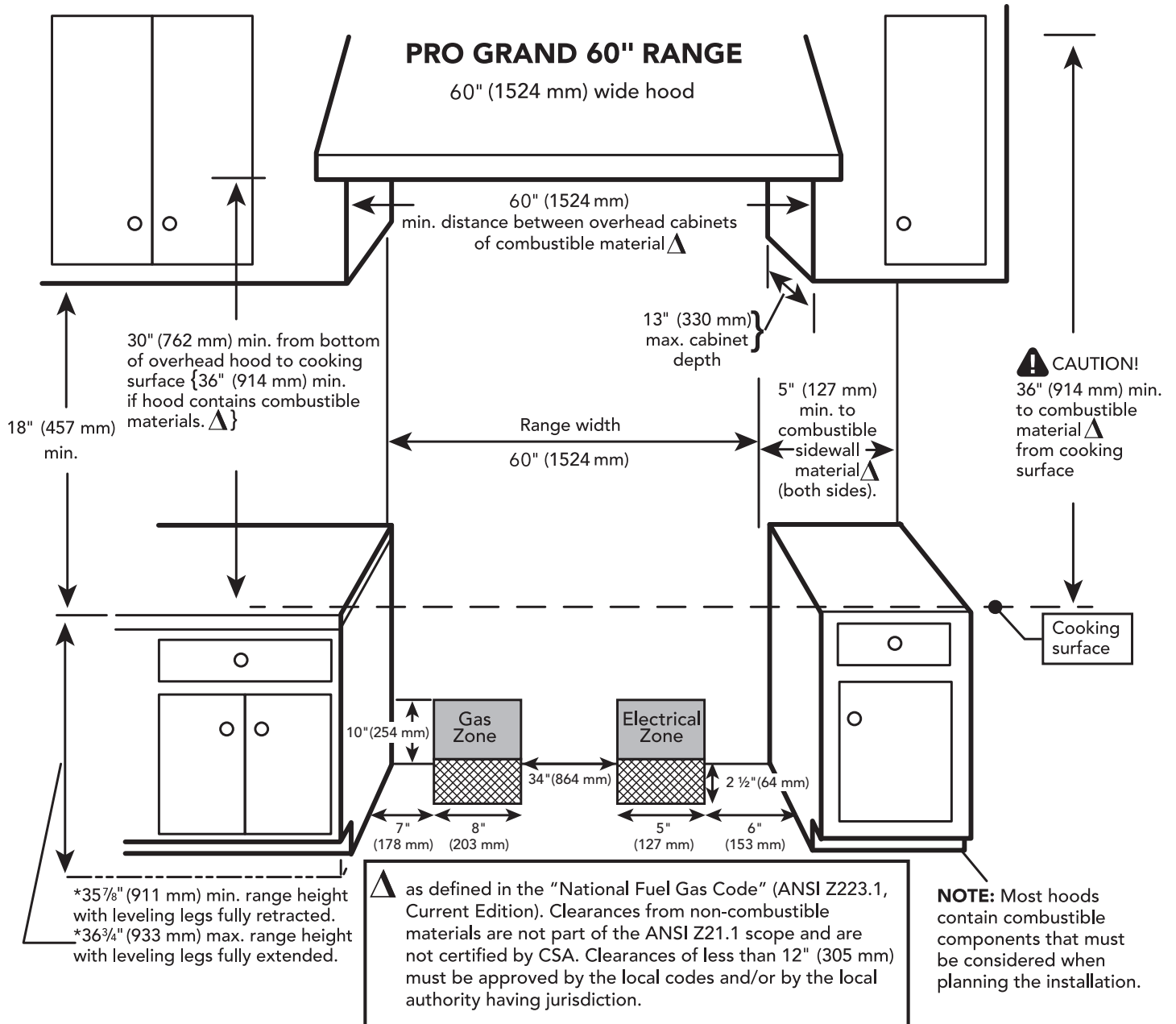
PRD606RCG

60-INCH DUAL-FUEL PRO GRAND® RANGE WITH GRILL AND GRIDDLE

PROFESSIONAL SERIES, COMMERCIAL-DEPTH, PORCELAIN COOKTOP SURFACE



60-INCH RANGE CUTOUT DIMENSIONS



PRD606RCG

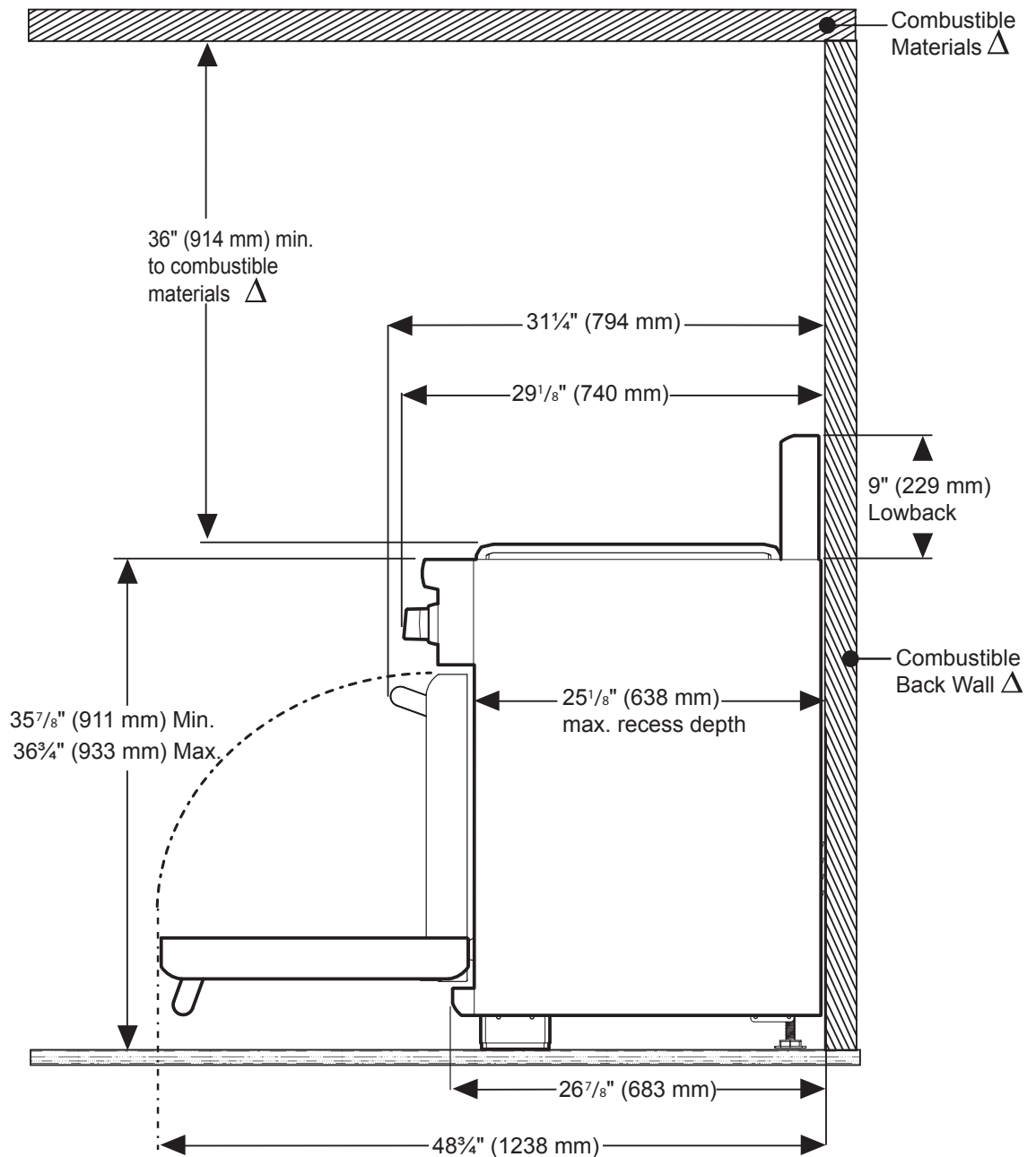
60-INCH DUAL-FUEL PRO GRAND® RANGE WITH GRILL AND GRIDDLE

PROFESSIONAL SERIES, COMMERCIAL-DEPTH, PORCELAIN COOKTOP SURFACE



60-INCH RANGE DIMENSIONS AND CLEARANCE REQUIREMENTS WITH "LOW BACK"

NOTE: A 36-inch minimum clearance is required between the top of the cooking surface and the bottom of an unprotected cabinet. A 30-inch clearance can be used when the bottom of the wood or metal cabinet is protected by not less than 1/4 inch of a flame retardant material covered with not less than No. 28 MSG sheet steel, 0.015 inch (0.4 mm) thick stainless steel, 0.024 inch (0.6 mm) aluminum, or 0.020 inch (0.5 mm) thick copper.

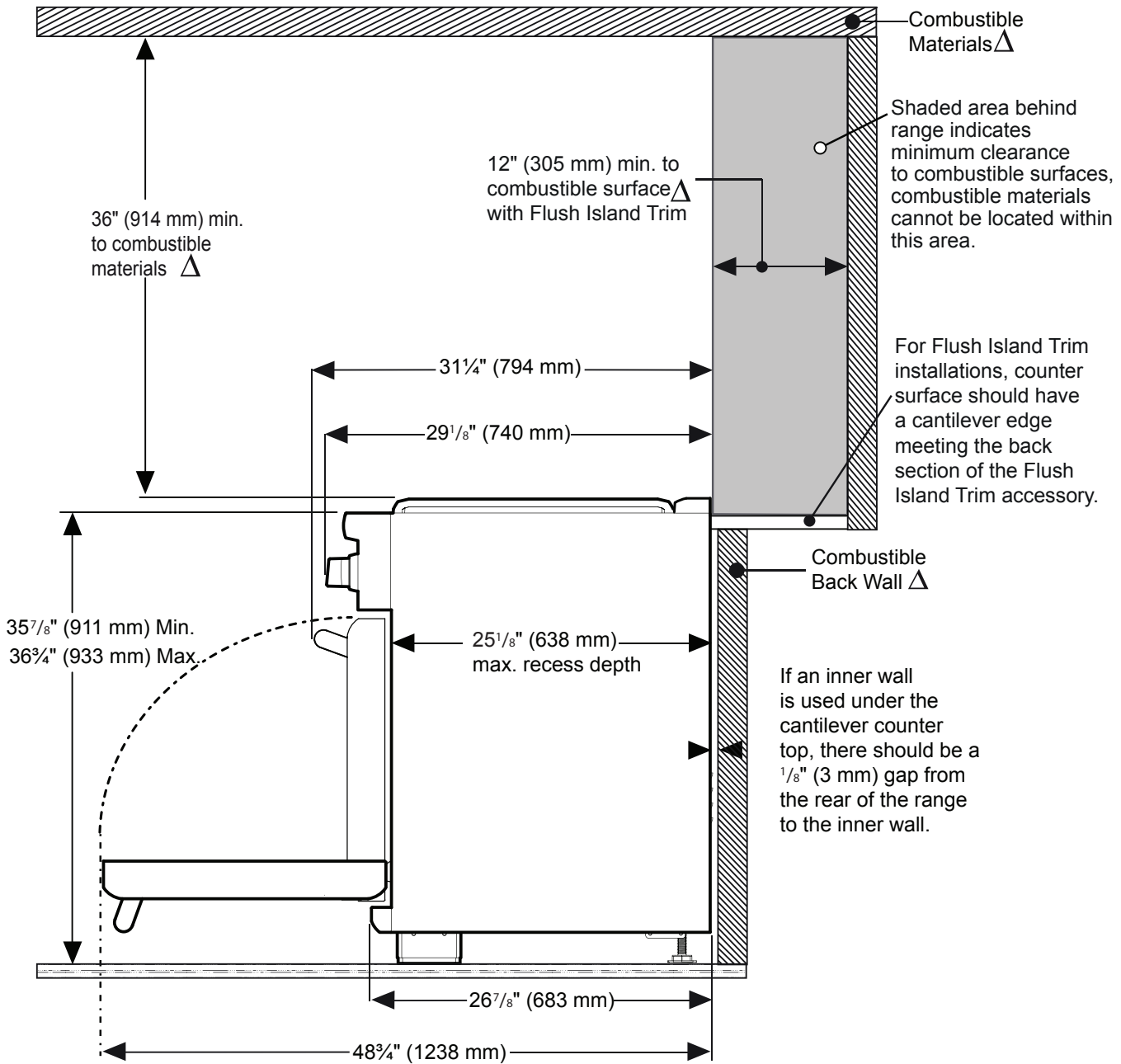


Δ As defined in the "National Fuel Gas Code" (ANSI Z223.1, Current Edition). Clearances from non-combustible materials are not part of the ANSI Z21.1 scope and are not certified by CSA. Clearances of less than 12" (305 mm) must be approved by the local codes and/or by the local authority having jurisdiction.

PRD606RCG
60-INCH DUAL-FUEL PRO GRAND® RANGE WITH
GRILL AND GRIDDLE
 PROFESSIONAL SERIES, COMMERCIAL-DEPTH, PORCELAIN COOKTOP SURFACE



60-INCH RANGE DIMENSIONS AND CLEARANCE REQUIREMENTS WITH "FLUSH ISLAND TRIM"



△ As defined in the "National Fuel Gas Code" (ANSI Z223.1, Current Edition). Clearances from non-combustible materials are not part of the ANSI Z21.1 scope and are not certified by CSA. Clearances of less than 12" (305 mm) must be approved by the local codes and/or by the local authority having jurisdiction.

These warranties give you specific legal rights and you may have other rights that vary from state to state. Full warranty and limited warranty from date of installation. For complete warranty details, refer to your Use & Care manual, or ask your dealer.

Specifications are for planning purposes only. Refer to installation instructions and consult your countertop supplier prior to making counter opening. Consult with a heating and ventilation engineer for your specific ventilation requirements. For the most detailed information, refer to installation instructions accompanying product or write to Thermador indicating the model number. Specifications are correct at time of printing. Thermador reserves the right to change product specifications or design without notice. Some models are certified for use in Canada. Thermador is not responsible for products that are transported from the U.S. for use in Canada.