

36" Professional Series Pro Harmony Standard Depth All Gas Range

PRG364GDH



PRG364GDH Stainless steel

INNOVATION

- Exclusive, patented Star® Burner – most even heating, unsurpassed flame coverage
- QuickClean Base® designed for easy surface cleaning
- Precision simmering capabilities as low as 100°F (375 BTU) with 2 ExtraLow® Simmer burners

PERFORMANCE

- Professional style, continuous cast iron grates
- Continuous porcelain, easy to clean cooking surface
- Every burner 18,000 BTU (NG)
- Widest range of simmer options from 375 BTU to 3,000 BTU
- Star® design delivers superior heat spread for any size pan
- Simmer without stirring/scorching with exclusive ExtraLow®
- Superior griddle results-6 pass, 1630 watt electric griddle
- Titanium surface non-stick, rust-proof cast-aluminum griddle
- Grill accessory-thermostatically controlled for even heating
- Titanium surface non-stick, rust-proof cast-aluminum grill accessory
- Removable griddle and grill accessory for easy clean-up
- Powerful, 27,000 BTU bake and 20,000 BTU broil burners
- Convection Bake offers precise multi-level baking results
- Massive oven capacity of 5 cu.ft.
- Six rack levels for multiple item cooking
- Full Access® telescopic racks, integrated easy-grip handle
- Electronic oven control ensures precise heating
- Large oven door window for maximum viewing
- Powerful halogen lighting illuminates the oven cavity
- Sabbath mode

DESIGN

- Bold Professional design
- Truly Flush Mounted™, 24" standard cabinet depth
- Patented Pedestal Star® Burner with QuickClean Base®
- Restaurant style metal knobs
- Signature blue indicator lighting
- 36" units ship standard with island trim included

Optional accessories

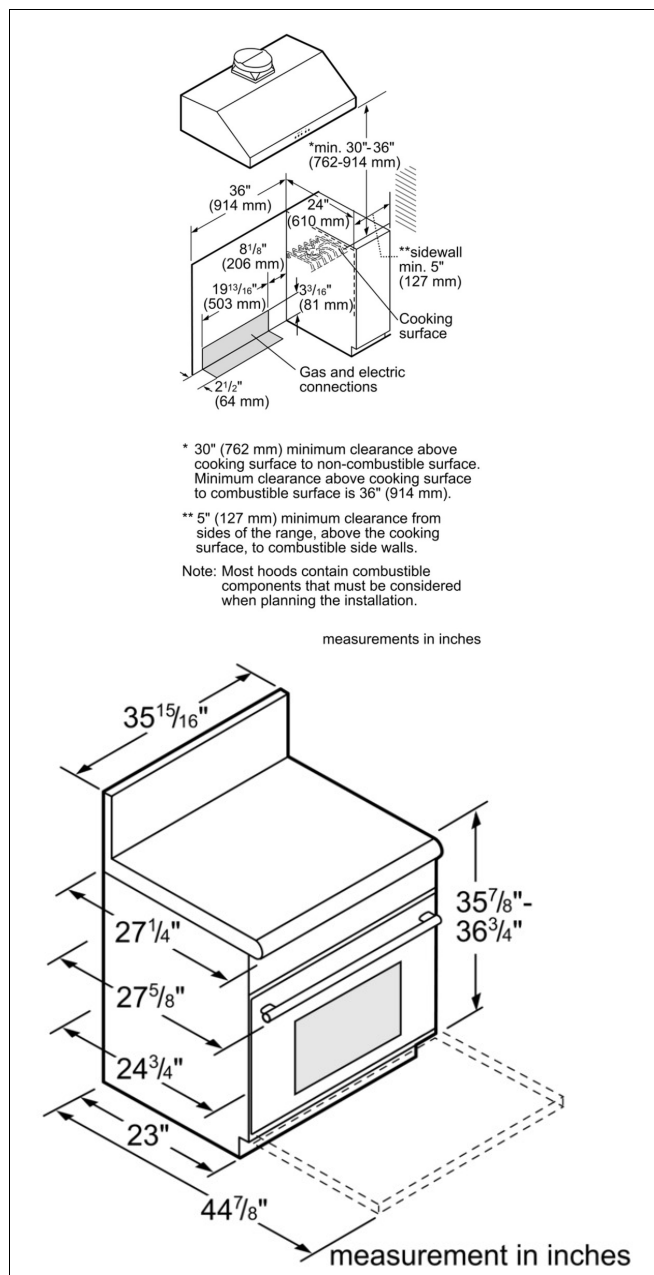
PA12CVRJ 12" Professional Griddle Cover Accessory

PA12GRILHC 12" Grill Accessory

PAGRIDDLE Professional Griddle Accessory

36" Professional Series Pro Harmony Standard Depth All Gas Range

PRG364GDH



Product Features

- Total number of cooktop burners: 6
- Cooking method first cavity: Bake, Broil, Convection Bake, Sabbath function
- Type of control: electronic
- Knob Material: Full metal
- Included accessories: 1 x island trim, 1 x Broiler pan
- Sealed Burners: Yes
- Number of Double grates: 2
- Number of gas burners: 4
- Location of 1st heating element: front left
- Power of 1st burner (BTU): 18000
- Location of 2nd heating element: back left
- Power of 2nd burner (BTU): 18000
- Location of 3rd heating element: middle back
- Location of 4th heating element: back right
- Power of 4th burner (BTU): 18000
- Location of 5th heating element: front right
- Power of 5th burner (BTU): 18000
- Location of 6th heating element: front middle / central
- Power of griddle element: 1630
- Safety device: automatic reignition, Overheating protection, Safety valve, Thermostat

Consumption and connection features

- UPC code: 825225881292
- Product color: Stainless steel
- Gas type: Natural gas 15 mbar (USA)
- Alternative gas type:
- Natural Gas Connection Rating (BTU): 119000
- Watts (W): 2100
- Current (A): 20
- Volts (V): 120
- Frequency (Hz): 60
- Approval certificates: CSA
- Required cutout size (HxWxD) (in): 36" width slide-in
- Overall appliance dimensions (HxWxD) (in): 35 7/8" x 35 15/16" x 24 3/4"
- Variable cooker height (in): 7/8"
- AHAM volume (of cavity) - cavity 1: 4
- Product packaging dimensions (HxWxD) (in): 49 3/4" x 42 1/4" x 36 3/4"
- Net weight (lbs): 337
- Gross weight (lbs): 374

2013-07-12