

USE AND CARE GUIDE



THERMADOR PROFESSIONAL® PRO GRAND® RANGES

Thermador★
REAL INNOVATIONS FOR REAL COOKS®

USE AND CARE GUIDE

THERMADOR PROFESSIONAL® PRO GRAND® Ranges

Cuisinières PROFESSIONAL PRO GRAND^{mc} de THERMADOR

Table of Contents 1
Table de Matières 48

Models | Modèles

PRD364JDGC
PRD364JDGU
PRD366JGC
PRD366JGU
PRD486JDGC
PRD486JDGU
PRD48JDSGC
PRD48JDSGU
PRD364NLGC
PRD364NLGU
PRD484NCGC
PRD484NCGU
PRD486NLGC
PRD486NLGU
PRD48NCSGC
PRD48NCSGU
PRD48NLSGC
PRD48NLSGU

PRG364NLG
PRG486NLG
PRL364NLG
PRL486NLG
PRG364JDG
PRG366JG
PRG486JDG
PRL364JDG
PRL366JG
PRL486JDG



Thermador 
REAL INNOVATIONS FOR REAL COOKS®

Congratulations on your recent THERMADOR® purchase! Whether you are a dedicated chef or simply a connoisseur of the art of cooking, owning a THERMADOR kitchen is the ultimate expression of personal style, good taste and an appreciation for the complete culinary experience. Our award-winning products have been empowering culinary enthusiasts for more than eleven decades.

Before you begin using your new THERMADOR product, please take a moment to review the Use and Care Guide. You will find the answers to all of your questions as well as some very important safety information. Pay special attention to the **Important Safety Instructions** located at the beginning of the manual. Your THERMADOR product is ready and waiting to be used for your next gourmet creation!

Our products are handcrafted with the highest quality authentic materials to ensure years of reliable service. In the unlikely event that you have a service question, please have your model and serial numbers of your product available (see the “*Before Calling For Service*” section for location).

We realize that you have made a considerable investment in your kitchen. Please feel free to share your THERMADOR kitchen photos and remodeling stories with us. Follow us on Twitter or post your kitchen photos on Facebook. We would love to hear from you!

THERMADOR wishes you many years of creative cooking.

Félicitations pour votre récent achat THERMADOR^{mc}! Que vous soyez un chef enthousiaste ou un simple connaisseur de l'art culinaire, le fait de posséder une cuisine THERMADOR représente l'expression ultime de votre style personnel, de votre bon goût et de votre intérêt à vivre une expérience culinaire complète. Nos produits primés permettent à des adeptes de la bonne bouffe d'atteindre de nouveaux sommets depuis plus de onze décennies.

Avant de commencer à utiliser votre nouveau produit THERMADOR, veuillez prendre un moment pour examiner ce guide d'utilisation et d'entretien. Vous trouverez des réponses à toutes vos questions ainsi que quelques renseignements essentiels en matière de sécurité. Portez une attention particulière aux **Instructions de sécurité importantes** se trouvant au début du guide. Votre produit THERMADOR est prêt et n'attend plus que vous l'utilisiez pour votre prochaine création gastronomique!

Nos produits sont fabriqués à la main avec des matériaux authentiques de haute qualité afin d'assurer des années de service fiable. Dans l'éventualité improbable où vous auriez une question relativement à l'entretien, veuillez avoir à la portée de la main le numéro de série et de modèle de votre produit (“*Information pour le service technique*”).

Nous savons bien que vous avez investi une somme considérable dans votre cuisine. N'hésitez pas à partager avec nous les photos de votre cuisine THERMADOR et les anecdotes relatives au remodelage de votre cuisine. Suivez-nous sur Twitter ou affichez des photos de votre cuisine sur Facebook. Nous serions ravis d'avoir de vos nouvelles!

THERMADOR vous souhaite de nombreuses années de gastronomie créative.

Thermador [®]
REAL INNOVATIONS FOR REAL COOKS[®]

Table of Contents

Safety	2	Sabbath Mode	29
Important Safety Instructions	1	Roast	29
Description	8	Roasting Recommendations	29
Control Panel Identification	8	Convection Baking.....	30
Range Identification	9	Dehydrating with Convection Bake.....	32
Oven Interior Identification	9	Convection Baking Recommendations	33
Before You Begin	11	Keep Warm	33
Getting Started	11	Proof (48" models only)	33
Using the Cooktop	13	Other Uses Of Bake	34
Sealed STAR® Burners	13	Broil/Convection Broil	34
Cookware Recommendations	16	Broiling & Roasting Recommendations	35
Specialty Cookware	17	Care and Maintenance	36
Surface Burner Cooking Recommendations	18	Self-Cleaning the Oven	36
Electric Griddle (some models)	20	Range Cleaning Tips	37
Griddle Cooking Recommendations	21	Cleaning Recommendations	38
Electric Grill (some models)	23	Do-It-Yourself Maintenance	43
Grill Cooking Recommendations.....	25	Oven Light Bulb Replacement.....	43
Using the Oven	26	Before Calling For Service	44
Oven Operation.....	26	Data Rating Label.....	44
Oven Setting Controls	27	Service Information.....	44
Timers	27	Troubleshooting	45
Setting Bake and Roast	27	Statement of Warranty	46
Meat Probe	28	Customer Support, Accessories and	
Minimum Internal Cooking Temps	28	Parts	back page
Fine Tuning the Oven	29		

Safety Definitions

⚠ WARNING
This indicates that death or serious injuries may occur as a result of non-observance of this warning.

⚠ CAUTION
This indicates that minor or moderate injuries may occur as a result of non-observance of this warning.

NOTICE: This indicates that damage to the appliance or property may occur as a result of non-compliance with this advisory.

Note: This alerts you to important information and/or tips.

This THERMADOR® appliance is made by
 BSH Home Appliances Corporation
 1901 Main Street, Suite 600
 Irvine, CA 92614

Questions?
 1-800-735-4328
 www.thermador.com

We look forward to hearing from you!

Safety



IMPORTANT SAFETY INSTRUCTIONS READ AND SAVE THESE INSTRUCTIONS

PLEASE READ CAREFULLY

WARNING

If the information in this manual is not followed exactly, a fire or explosion may result causing property damage, personal injury or death.

- **DO NOT** store or use gasoline or other flammable vapors and liquids in the vicinity of this or any other appliance.
- **WHAT TO DO IF YOU SMELL GAS**
 - **DO NOT** try to light any appliance.
 - **DO NOT** touch any electrical switch.
 - **DO NOT** use any phone in your building.
 - Immediately call your gas supplier from a neighbor's phone. Follow the gas supplier's instructions.
 - If you cannot reach your gas supplier, call the fire department.
- Installation and service must be performed by a qualified installer, service agency or the gas supplier.

WARNING



A child or adult can tip the range over and be killed. Verify that the anti-tip bracket is securely installed. Ensure the anti-tip bracket is engaged when the range is moved.

DO NOT operate the range without the anti-tip bracket in place. Failure to follow the instructions in this manual can result in death or serious burns to children and adults.

Check for proper installation and use of anti-tip bracket. Carefully tip range forward pulling from the back to ensure that the anti-tip bracket engages and prevents tip-over. Range should not move more than 1" (2.5 cm).

Gas and Electrical Requirements and Grounding Instructions

Gas Type Verification

Verify the type of gas supplied to the location. Ensure that the appliance is connected to the type of gas for which it is certified. All models are certified for use with natural gas. Field conversion of dual fuel appliances for use with propane gas supply will require a conversion kit (included). Make certain your range and gas type are the same. Refer to the product rating label which can be located as indicated in *Figure 28 on page 44*.

CAUTION

When connecting the unit to propane gas, make certain the propane gas tank is equipped with its own high-pressure regulator in addition to the pressure regulator supplied with the range. **The maximum gas pressure to this appliance must not exceed 14.0" water column (34.9 mb) from the propane gas tank to the pressure regulator.**

IMPORTANT:

When installing against a combustibile surface, a Low Back guard is required. A THERMADOR® Low Backguard must be purchased separately. Before using the range, ensure that it is equipped with a proper back guard. Refer to the *Installation Manual* accompanying this appliance for more information.

When using the Flush Island Trim, THERMADOR recommends a minimum 12" (305 mm) rear clearance to a combustibile surface. Clearances from non-combustibile materials are not part of the ANSI Z21.1 scope and are not certified by CSA. Clearances of less than 12" (305 mm) must be approved by the local codes and/or by the local authority having jurisdiction.



IMPORTANT SAFETY INSTRUCTIONS

READ AND SAVE THESE INSTRUCTIONS

Before using the range, ensure that it is equipped with a proper backguard. Refer to the *Installation Manual* accompanying this appliance for more information.

WARNING

This appliance should not be installed with a ventilation system that directs air in a downward direction toward the range. This type of ventilation system may cause ignition and combustion problems with the appliance resulting in personal injury, property damage, or unintended operation. Ventilating systems that direct the air upwards do not have any restriction.

WARNING

To avoid possible burn or fire hazard, a back guard designed specifically for this range must be installed whenever the range is used.

WARNING

ALWAYS DISCONNECT THE ELECTRICAL PLUG FROM THE WALL RECEPTACLE BEFORE SERVICING THIS UNIT.

CAUTION

FOR PERSONAL SAFETY, THIS APPLIANCE MUST BE CONNECTED TO A PROPERLY GROUNDED AND POLARIZED ELECTRICAL POWER SUPPLY.

36" Dual-Fuel Models:

240/208 volts, 60 Hz., 40 Amp dedicated electrical circuit required.

48" Dual-Fuel Models:

240/208 volts, 60 Hz., 50 Amp dedicated electrical circuit required

It is recommended that a dedicated circuit servicing this appliance be provided. See the *Installation Manual* for electrical requirements and grounding instructions.

The use of gas cooking appliances results in the production of heat and moisture.

It is the personal responsibility and obligation of you, the user, to have this appliance connected to the electrical power supply by a qualified electrician, in accordance with the National Electrical Code and/or applicable local codes and ordinances.

WARNING

IN CASE OF AN ELECTRICAL FAILURE

If for any reason a gas control knob is turned ON and there is no electrical power to operate the electronic igniters on the range's cooktop STAR[®] burners, **turn OFF the gas control knob and wait 5 minutes** for the gas to dissipate before lighting the STAR burner manually.

To light the STAR burners manually, carefully hold a lighted match to the STAR burner ports and turn the gas control knob to HI.

During a power failure, you can use the standard cooktop STAR burners, but each must be lit with a match.

DO NOT attempt to light the XLO[®] STAR burners manually. These STAR burners are equipped with the ExtraLow[®] feature and cannot be lit manually.

TESTED IN ACCORDANCE WITH:

- ANSI Z21.1, Household Cooking Appliances
- CAN 1-1.1-M81, Domestic Gas Ranges
- UL 858, Household Electric Ranges
- CSA C22.2 No. 61, Household Cooking Ranges

Check your local building codes for the proper method of installation. In the absence of local codes, this unit should be installed in accordance with the National Fuel Gas Code No. Z223.1 current issue and the National Electrical Code ANSI/NFPA No. 70 current issue or the Can - B149 Installation Codes for Gas Burning Appliances and C22.1 Canadian Electrical Code Part 1.

It is the responsibility of the owner and the installer to determine if additional requirements and/or standards apply to specific installations.



IMPORTANT SAFETY INSTRUCTIONS

READ AND SAVE THESE INSTRUCTIONS

When properly cared for, your new THERMADOR PROFESSIONAL® range has been designed to be a safe, reliable appliance. However, use extreme care when using this restaurant caliber range as this type of appliance provides intense heat. When using kitchen appliances, basic safety precautions must be followed, including the following:

Read this Use and Care Guide carefully before using your new range, to reduce the risk of fire, electrical shock, or injury to persons.

Ensure proper installation and servicing. Follow the installation instructions provided with this product. Have the range installed and electrically grounded by a qualified technician.

Have the installer show you where the electric circuit breaker and the gas supply shut off valve are located so you know how and where to turn off the gas and electricity to the range.

In the event a STAR® burner goes out and gas escapes, open a window or a door. **DO NOT** attempt to use the range until the gas has had time to dissipate. Wait at least 5 minutes before using the range.

DO NOT repair or replace any part of the appliance unless specifically recommended in this manual. All other servicing should be referred to a qualified technician.

Child Safety

When children become old enough to use the appliance, it is the responsibility of the parents or legal guardians to ensure that they are instructed in safe operation of the appliance by qualified persons.

WARNING

DO NOT store items of interest to children above or at the back of the range. If children should climb onto the appliance to reach these items, they could be seriously injured.

DO NOT allow anyone to climb, stand, lean, sit, or hang on any part of an appliance, especially a door, or the warming drawer. This can damage the appliance, and the unit may tip over, potentially causing severe injury.

DO NOT allow children to use this appliance unless closely supervised by an adult.

Children and pets should not be left alone or unattended in the area where the appliance is in use. They should never be allowed to play in its vicinity, whether or not the appliance is in use.

NEVER use any part of the range or ovens for storage. Flammable materials can catch fire and plastic items may melt or ignite.

DO NOT hang articles from any part of the appliance or place anything against the ovens. Some fabrics are quite flammable and may catch on fire.

If the range is near a window, be certain the curtains do not blow over or near the range STAR burners; they could catch on fire.

WARNING

TO REDUCE THE RISK OF A GREASE FIRE:

- Never leave surface units unattended at high settings. Boilovers cause smoking and greasy spillovers that may ignite. Heat oils slowly on low or medium settings.
- Always turn hood ON when cooking at high heat or when flambéing food (i.e. Crepes Suzette, Cherries Jubilee, Peppercorn Beef Flambé).
- Clean hood filters frequently. Grease should not be allowed to accumulate on fan or filter.
- Use proper pan size. Always use cookware appropriate for the size of the cooktop burner.

ALWAYS have a working smoke detector near the kitchen. In the event that personal clothing or hair catches fire, drop and roll immediately to extinguish flames.

Smother flames from food fires, other than grease fires, with baking soda. Never use water on cooking fires.

Whenever possible, do not operate the ventilation system during a cooktop fire. However, **DO NOT** reach through fire to turn it off.

NEVER let clothing, potholders, or other flammable materials come in contact with or too close to any element, top burner or burner grate until it has cooled. Fabric may ignite and result in personal injury.

Have an appropriate fire extinguisher available, nearby, highly visible and easily accessible near the cooking appliance.



IMPORTANT SAFETY INSTRUCTIONS

READ AND SAVE THESE INSTRUCTIONS

WARNING

State of California Proposition 65 Warnings:

This product contains chemicals known to the State of California to cause cancer, birth defects or other reproductive harm.

WARNING

TO REDUCE THE RISK OF INJURY TO PERSONS, IN THE EVENT OF A RANGE TOP GREASE FIRE, OBSERVE THE FOLLOWING:

- Smother flames with a close-fitting lid, cookie sheet, or other metal tray, then turn off the gas burner or the electric element. Be careful to prevent burns. If the flames do not go out immediately, evacuate and call the fire department.
- Never pick up a flaming pan — You may be burned.
- **DO NOT USE WATER**, including wet dish cloths or towels — a violent steam explosion will result.
- Use an extinguisher only if:
 - You know you have a class ABC extinguisher and you already know how to operate it.
 - The fire is small and contained in the area where it started.
 - The fire department is being called.
 - You can fight the fire with your back to an exit.

Use only dry potholders: moist or damp potholders on hot surfaces may cause burns from steam. **DO NOT** use a towel or other bulky cloth in place of potholders. **DO NOT** let potholders touch hot elements, hot burners, or burner grates.

For personal safety, wear proper apparel. Loose fitting garments or hanging sleeves should never be worn while using this appliance. Some synthetic fabrics are highly flammable and should not be worn while cooking.

DO NOT use aluminum foil to line any part of the oven or range. Use of a foil liner could result in a shock or fire hazard, or the obstruction of the flow of combustion and ventilation air. Foil is an excellent heat insulator and heat will be trapped beneath it. This will upset the cooking performance and can damage the finish of the oven or the range.

WARNING

RANGE TIPPING HAZARD:

- All ranges can tip and injury can result. To prevent accidental tipping of the range, attach it to the floor, wall, or cabinet by installing the Anti-Tip Device supplied.
- A risk of tip-over may exist if the appliance is not installed in accordance with these instructions.
- If the range is pulled away from the wall for cleaning, service, or any other reason, ensure that the Anti-Tip Device is properly reengaged when the range is pushed back against the wall. In the event of abnormal usage (such as a person standing, sitting, or leaning on an open door), failure to take this precaution can result in tipping of the range. Personal injury might result from spilled hot liquids or from the range itself.

WARNING

The appliance is for cooking. Based on safety considerations, never use the oven or cooktop to warm or heat a room. Also, such use can damage the cooktop or oven parts.

WARNING

NEVER cover any slots, holes, or passages in the oven bottom or cover an entire rack with materials such as aluminum foil. Doing so blocks air flow through the oven. Aluminum foil linings may also trap heat, causing a fire hazard.

WARNING

NEVER use this appliance as a space heater to heat or warm the room. Doing so may result in carbon monoxide poisoning and overheating of the oven.

When using the cooktop: **DO NOT TOUCH THE BURNER GRATES OR THE IMMEDIATE SURROUNDING AREA.** Areas adjacent to the burners may become hot enough to cause burns.

Never leave the range unattended when using high flame settings. Boil overs cause smoking and greasy spillovers that may ignite. Also, if the burner flames and igniter are smothered with spillage, unburned gas will escape into the room. See *page 2* regarding gas leaks.



IMPORTANT SAFETY INSTRUCTIONS

READ AND SAVE THESE INSTRUCTIONS

Only certain types of glass, heatproof glass-ceramic, ceramic, earthenware, or other glazed cookware are suitable for cooking on the range burners. This type of cookware may break with sudden temperature changes. Use only on low or medium heat settings according to the utensil manufacturer's directions.

DO NOT heat or warm unopened food containers. Build-up of pressure may cause the container to burst and cause injury.

During cooking, set the burner control so that the flame heats only the bottom of the pan and does not extend beyond the bottom of the pan.

WARNING

Avoid using high flame setting with a pan larger than the grate or with one that spans more than one burner, such as a griddle, for prolonged periods of time. This can result in poor combustion that generates harmful by-products.

Use caution to ensure that drafts like those from forced air vents or fans do not blow flammable material toward the flames or push the flames so that they extend beyond the edges of the pot.

Always use pots and pans that have flat bottoms large enough to cover the burner. The use of undersized pots and pans could expose a portion of the flame and may result in ignition of clothing.

To minimize the risk of burns, ignition of flammable materials and unintentional spillage, position handles of pots and pans inward so they do not extend over adjacent work areas, cooking areas, or the edge of the range's cooktop.

DO NOT use pots or pans on the grill plate accessory. Bakeware, such as large casserole pans, cookie sheets, etc., should never be used on the cooktop.

DO NOT use flammable cleaners to clean the range.

Hold the handle of the pan to prevent movement when stirring or turning food.

Remove the optional cutting board or griddle cover accessory, which is stored on top of the griddle plate, before operating the griddle or any adjacent burners.

GREASE IS FLAMMABLE. Let hot grease cool before attempting to handle it. Avoid letting grease deposits collect. Clean after each use.

For proper lighting and performance of the burners, keep the igniter ports clean. It is necessary to clean the ports when there is a boil over or when the burner does not light even though the electronic igniters activate. See *"Cleaning Recommendations"* on page 38.

WARNING

After a spill or boil over, turn off the burner and using caution due to possible hot surfaces, clean around the burner and burner ports. After cleaning, check for proper operation.

WARNING

To avoid possible burn or fire hazard, a backguard designed specifically for this range must be installed whenever the range is used.

Clean the range with caution. Avoid steam burns; **DO NOT** use a wet sponge or cloth to clean the range while it is hot. Some cleaners produce noxious fumes if applied to a hot surface. Follow directions provided by the cleaner manufacturer.

Be sure all cooktop controls are turned off and the cooktop is cool before using any type of aerosol cleaner on or around the cooktop. The chemical that produces the spraying action could, in the presence of heat, ignite or cause metal parts to corrode.

Place oven racks in desired position while oven is cool. If a rack must be moved while the oven is hot, do not let the potholders contact the broiler element.

When using the oven do not touch the broiler element, the interior surfaces of the oven or the exterior area immediately surrounding the door. Interior oven surfaces become hot enough to cause burns. The heat deflector, which deflects heat away from the cooktop and the trim on the top and sides of the oven door, will also be hot when the oven is in use.

Use care when opening the oven door; let hot air or steam escape before removing or replacing foods.



IMPORTANT SAFETY INSTRUCTIONS

READ AND SAVE THESE INSTRUCTIONS

Before self-cleaning the oven, remove the broiler pan, oven racks, temperature probe and any other utensils, and excess spillage.

Please note that some pets or humans can be sensitive to the odors created during the self-cleaning process whether it is a manufacturing residue burn off or food, so it is recommended that those potentially affected be removed from the kitchen area during the self-clean process.

DO NOT clean, rub, damage, move or remove the door gasket. It is essential for a good seal during baking. If the gasket becomes worn or excessively soiled with food particles, replace gasket to assure a tight seal.

Protect the self-cleaning feature. Clean only those parts indicated in this booklet. **DO NOT** use commercial oven cleaners or oven liner protective coatings of any kind in or around the self-cleaning oven(s).

For safety reasons and to avoid damage to the range, never sit, stand, or lean on the oven door.

Service should only be done by authorized technicians. Technicians must disconnect the power supply before servicing this unit.

Listen to be sure the cooling blower runs whenever the oven controls are set to BROIL or BAKE modes, after oven heats to 300°F (149°C) — see “Automatic operation of the cooling blowers” on page 29. If the fan does not operate, do not use the oven. Call an authorized service center for service.

To avoid a fire hazard, grease accumulation must be prevented by frequently cleaning the ventilation hood and filters.

DO NOT use the grill plate accessory for cooking excessively fatty meats or products which promote flare-ups.

Remove all tape and packaging before using the appliance. Destroy the packaging after install. Never allow children to play with packaging material.

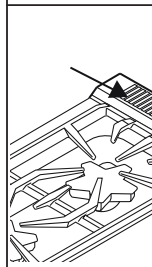
When cooking fatty or oily foods on burners, the grill, or the griddle, adjacent gas burners can ignite airborne fumes. Use caution to avoid burns.

In case of fire or when intentionally “flaming” liquor or other spirits on the range’s cooktop, follow manufacturer’s instructions. Use caution when cooking foods with high alcohol content (e.g. rum, brandy, bourbon) in the oven. Alcohol evaporates at high temperatures. There is a risk of burning as the alcohol vapors may catch fire in the oven. Use only small quantities of alcohol in foods, and open the oven door carefully.

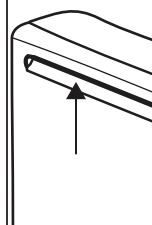
DO NOT store or use corrosive chemicals, vapors, flammables, or nonfood products in or near this appliance. It is specifically designed for use when heating or cooking food. The use of corrosive chemicals while heating or cleaning will damage the appliance and could result in injury.

DO NOT obstruct the flow of combustion or ventilation air.

WARNING



DO NOT block or obstruct the flow of air through the ventilation openings. The oven vent is located at the back of the appliance. The vents need to be unobstructed and open to provide necessary airflow that is important for proper oven performance.



DO NOT touch oven vent area while the appliance is on and for several minutes after the appliance is off. Some parts of the vent and surrounding areas become hot enough to cause burns. Allow appliance sufficient time to cool before touching or cleaning vent areas.

DO NOT position plastic or other heat-sensitive items on or near the oven vent. These items could melt or ignite.

Description

Parts Identification

Control Panel Identification

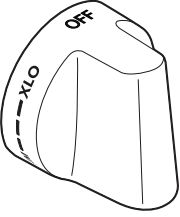
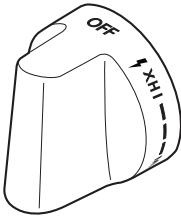
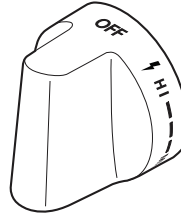
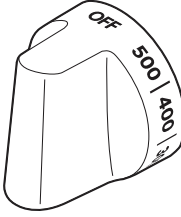
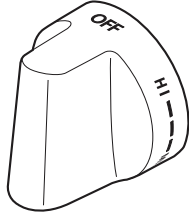
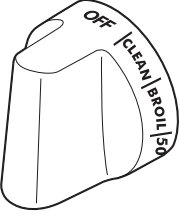
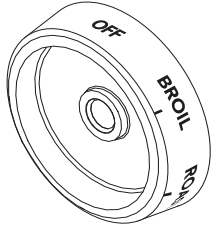
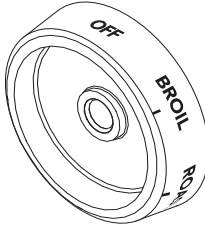
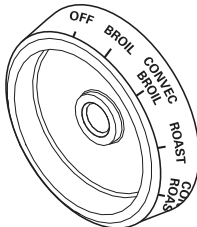
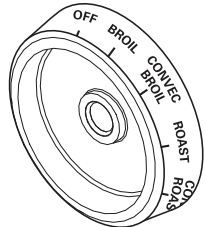

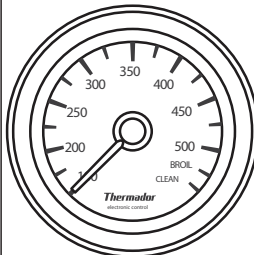
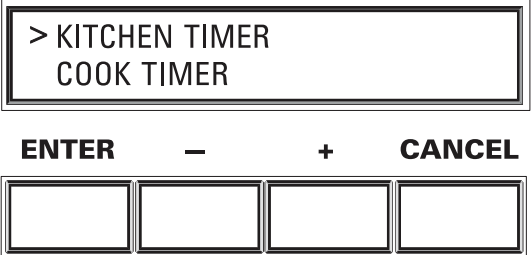
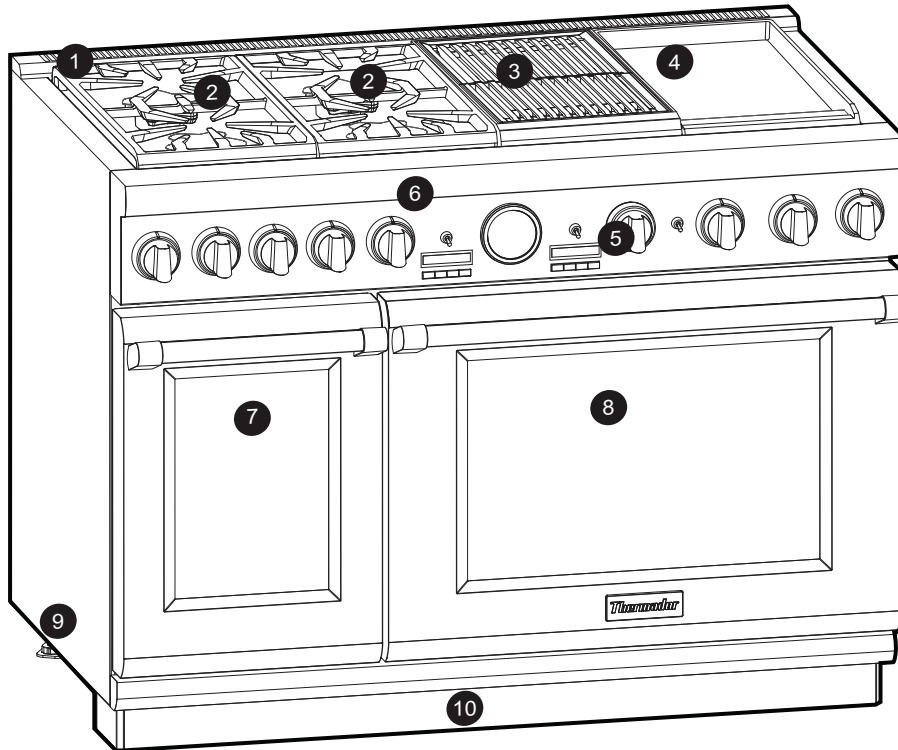
<p>ExtraLow® Knob</p> 	<p>ExtraHigh & ExtraLow Knob</p> 	<p>Standard Knob</p> 	<p>Griddle Knob</p> 	<p>Grill Knob</p> 
<p>Oven Temperature Selector</p> 	<p>Gas Main Oven Mode Selector</p>  <p>MODES: BROIL ROAST SELF CLEAN KEEP WARM CONVEC BAKE BAKE</p>	<p>Secondary Oven Mode Knob</p>  <p>MODES: BROIL ROAST SELF CLEAN PROOF CONVEC BAKE BAKE</p>	<p>Electric Main Oven Mode Selector</p>  <p>MODES: BROIL CONVEC BROIL ROAST CONVEC ROAST SELF CLEAN KEEP WARM CONVEC BAKE BAKE</p>	<p>Electric Secondary Oven Mode Selector</p>  <p>MODES: BROIL CONVEC BROIL ROAST CONVEC ROAST SELF CLEAN PROOF CONVEC BAKE BAKE</p>
<p>Oven Light Switch</p> 	<p>Oven Temperature Gauge</p> 	<p>Oven Display Screen and Control Buttons</p> 		

Table 1: Knob Identification

Range Identification



Model shown is 48" Dual Fuel with Griddle and Grill Options (models will vary)

1. Flush Island Trim (included) or Low Back (ordered separately)
2. Burner Grates & Burners
3. Electric Grill
4. Electric Griddle
5. Control Panel
6. Control Panel Light
7. Secondary Oven
8. Main Oven
9. Range Feet
10. Leg Cover Assembly (included), Toe Kick shown (ordered separately)

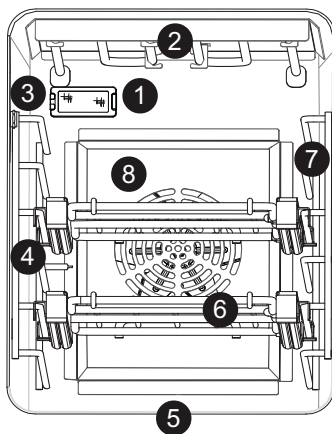
⚠ WARNING:

To provide proper ventilation of the range **DO NOT** remove range feet.

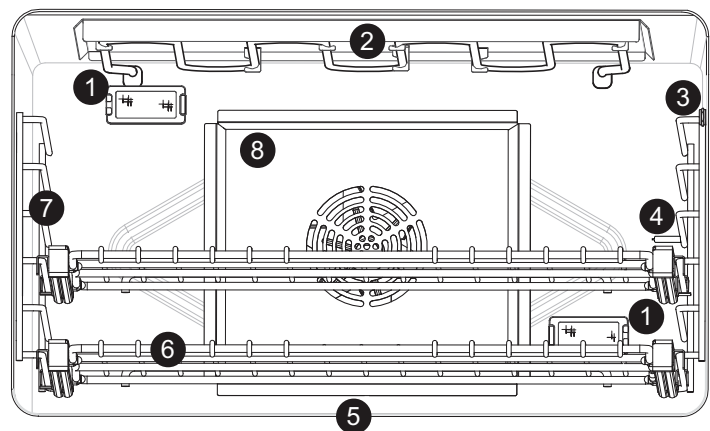
Figure 1: Range Identification

Dual Fuel Oven Interior Identification

Secondary Oven (48" models only)



Main Oven

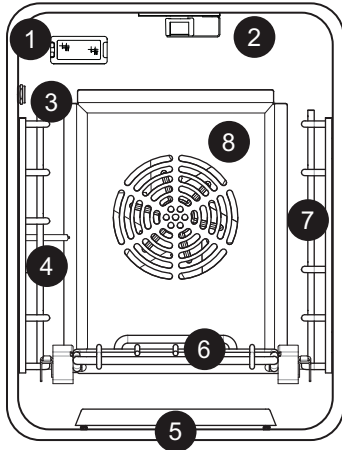


- | | |
|-----------------------------|---|
| 1. Oven Interior Lights | 5. Bake Element (hidden) |
| 2. Broil Element | 6. Full Access [®] Oven Rack (3 main oven, 2 secondary oven) |
| 3. Temperature Probe Outlet | 7. Rack Guides |
| 4. Oven Temperature Sensor | 8. Convection Fan Cover |

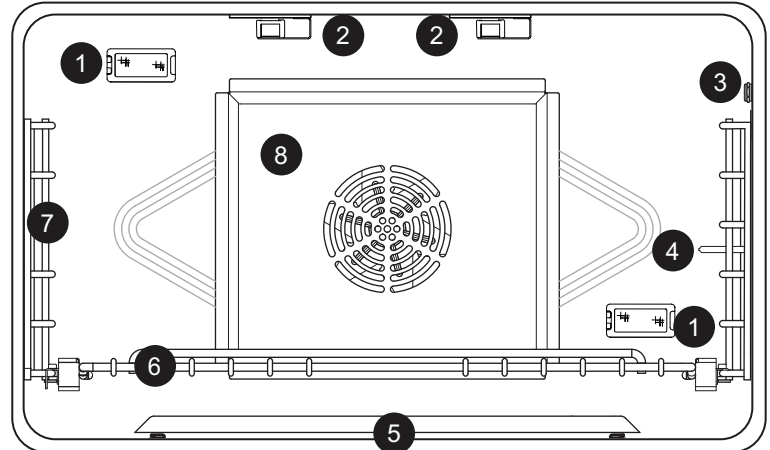
Figure 2: Dual Fuel Oven Interior Identification

Gas Oven Interior Identification

Secondary Oven (48" models only)



Main Oven



- | | |
|-----------------------------|---|
| 1. Oven Interior Lights | 5. Bake Burner (hidden) |
| 2. Broil Burner | 6. Full Access [®] Oven Rack (3 main oven, 2 secondary oven) |
| 3. Temperature Probe Outlet | 7. Rack Guides |
| 4. Oven Temperature Sensor | 8. Convection Fan Cover |

Figure 3: Gas Oven Interior Identification

Before You Begin

Getting Started

IMPORTANT

All oven knobs and selectors must be set to OFF before powering up the range.

To prevent unintended operation at power up, please set all oven knobs to OFF. To ensure customer safety in the event of power failure, the unit will display an error message upon reinstatement of power unless all oven knobs are set to OFF. Set all oven knobs to OFF and reset the breaker to clear the message.

Oven Racks

CAUTION

To help prevent burns, never remove or reposition the oven racks while the oven is ON or while the oven is cooling.

WARNING

Aluminum foil should **NEVER** be used to cover the oven racks or to line the oven. It can damage the oven and cause a fire hazard if heat is trapped under it.

Oven Rack Positions

The correct rack position depends on the recipe and the cooking mode. **The rack positions are numbered from the bottom of the oven, like an elevator.** Rack position 3 is the most frequently used position. Place rack(s) in the proper position before turning on the oven.

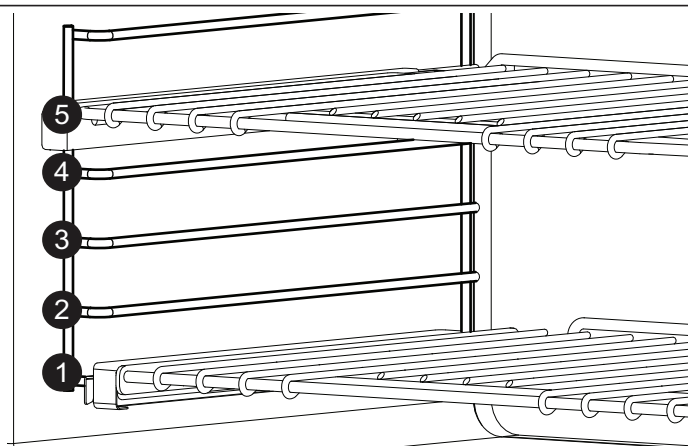
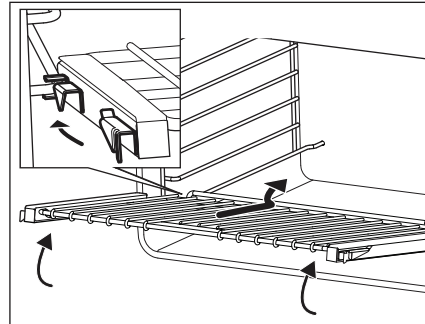


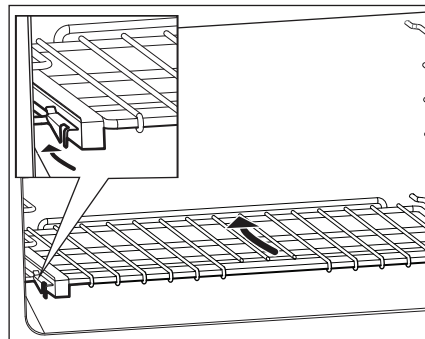
Figure 4: Oven Rack Positions

Placing Full Access® Racks in the Oven

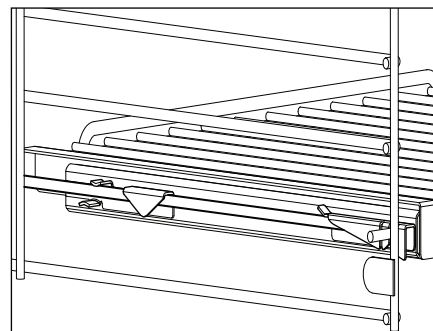
1. Hold the rack on a slight angle. Place the safety hooks under the front of the rack guides.



2. Push the rack into the oven, lifting the rack stops over the front of the rack guides.
3. Hold the rack straight.
4. Push the rack in until it is even with the front hooks.



5. Lift the rack up.
6. Push the rack in completely.
7. Engage the rack's front hooks on the rack guides.



IMPORTANT: When placing the gliding rack in the oven, make sure the front supports on the rack guides rest in the large slots at the front corners of the rack. This is necessary to keep the rack in the correct position while fully inserted into the oven.

Figure 5: Inserting the Gliding Oven Rack

IMPORTANT: Always remove the oven racks before self-cleaning the oven. If the gliding racks remain in the oven during Self-Clean, lubricants in the glide mechanisms of each rack will be lost and the finish will discolor.

ALWAYS REMOVE BEFORE SELF CLEAN

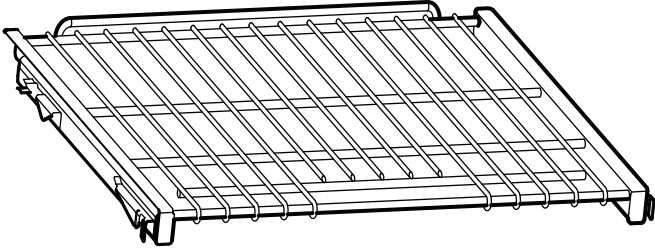


Figure 6: Full Access Oven Rack

Surface Burners

1. **Ensure that the burner caps are correctly seated on the burner bases of the range's cooktop** (see *“Burner Cap Placement”* on page 13).
2. Turn on each burner to check for proper flame color. See *“Flame Description”* on page 15 for details.

Oven Operation

1. **Before baking or broiling**, the oven and broiler should be turned on to burn off the manufacturing oils using one of the two following methods:
 - Turn on kitchen ventilation (or if vent hood is a recirculation type open a window). Set oven at 500°F (260°C) and let the oven go through a 2 hour cycle at high heat then shut off the oven. Please read *“Care and Maintenance”* on page 36 before cleaning the oven racks.
 - Turn on kitchen ventilation (or if vent hood is a recirculation type open a window). Remove oven racks. Set oven into self-clean cycle and let self-clean run (see *“Self-Cleaning the Oven”* on page 36).

Please note that some pets or humans can be sensitive to the odors created during the self-cleaning process whether it is a manufacturing residue burn off or food, so it is recommended that those potentially affected be removed from the kitchen area during the self-clean process.

The THERMADOR PROFESSIONAL® range occasionally has a smell or smoke when first used. These smells or smoke come from the burning off of manufacturing residues and is typical of any new oven regardless of manufacturer.

Please read *“Care and Maintenance”* on page 36 before cleaning the oven racks.

NOTE: It is normal for the cooling process to push heated air out into the room when the oven is on.

Data Rating Label

Record the Model and Serial number on page 44. See “Data Rating Labels” found on the Rating Label Plate. The Rating Label Plate is located on the right side of the range between the oven cavity and side panel (see *Figure 28* on page 44). These may be used for any future contacts with Customer Service. Enter this information on the Product Registration Card included with this product then mail it to the indicated address.

Using the Cooktop

Sealed STAR® Burners

Burner Cap Placement

Each cap has a letter (B, D, or F) cast in the underside of the cap that corresponds to a letter (B, D, or F) cast in the burner base that is attached to the appliance.

- Place each burner cap on its correct burner base per its corresponding letter designation. See figure below.

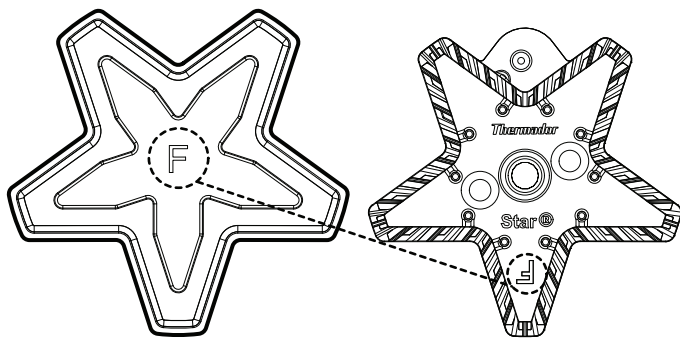


Figure 7: STAR Burner Components

- Place burner cap gently on top of base so that the prongs of the burner base fit snugly into the groove of the burner cap.

Burners Caps

The burner caps must be properly placed on the burner bases for the cooktop to function properly. If the burner cap is not properly placed, one or more of the following problems may occur:

- Burner flames are too high.
- Flames shoot out of burners.
- Burners do not ignite.
- Burner flames light unevenly.
- Burner emits gas odor.

⚠ WARNING

To prevent flare-ups and avoid the creation of harmful by-products, do not use the cooktop without all burner caps and all burner grates properly positioned.

⚠ WARNING

To prevent burns, do not touch burner caps or grates while hot. Turn the cooktop off and allow the burners to cool.

Checking Burner Cap Placement

- Check each burner to make sure there is no gap between the burner cap and burner base. See *Figure 8: Correct and Incorrect Burner Cap Placement* to see examples of correct and incorrect placements of the burner cap.
- You may gently try to move the burner caps from side to side to check if the caps are properly placed on the burner bases. When properly placed, each burner cap will rest flat on top of its burner base, and completely cover the star-shape of the burner base when viewed from the top as shown in *Figure 8*.

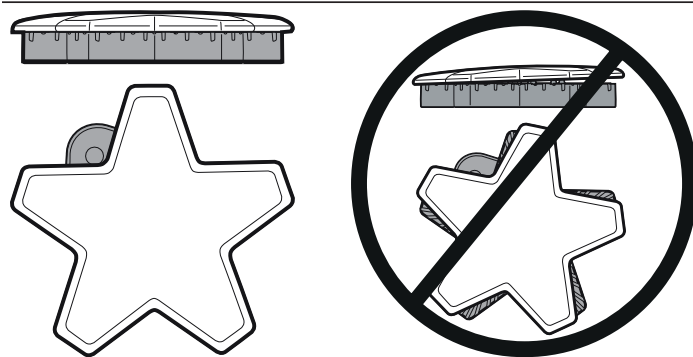


Figure 8: Correct and Incorrect Burner Cap Placement

Burner Grate Placement

Ensure the burner grates are properly placed on the cooktop before using the surface burners. The grates are designed to rest inside the recess on the cooktop.

To install burner grates, place grates flat-side down and align into the cooktop recess. Grates should rest flush against each other and against the sides of the recess.

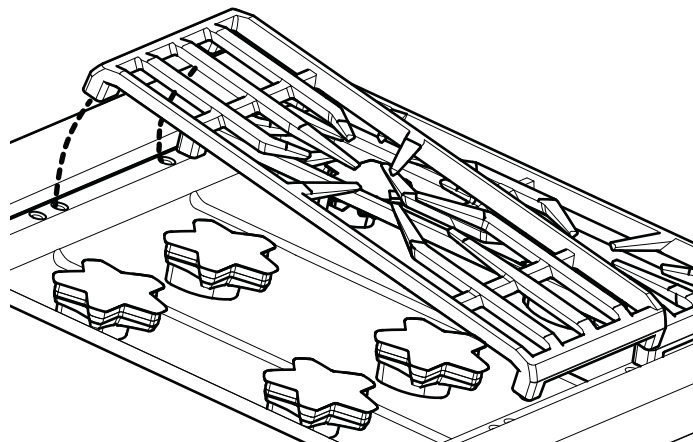


Figure 9: Burner Grate Placement

Control Knobs

The control knobs for two sealed gas burners, one in front and one in the rear, are located directly in front of and below the pair of burners on the control panel. Each burner has its own control knob. The symbol above each control knob identifies the burner position on the cooktop.

Operation of the Burners

1. Press in on the knob and turn it counter-clockwise to the **HI** setting on the knob.
 - The igniter for the selected burner clicks and sparks.
 - After burner ignition, the igniter stops clicking.
2. Rotate the knob to any flame setting between **HI** and **SIM**.
 - The blue signal light, between the burner knobs, will light when adjacent burners are lit. The light will remain on until the adjacent burners are turned off.

ExtraLow® Burners

The controls for the ExtraLow burners have flame settings even lower than the standard **SIM** settings.

The drawing shows that the control knob has an additional range between the **SIM** and **XLO**® settings. When the knob is set within this range, the flame cycles off and on. By varying the length of time the flame is off and on, the heat is reduced even further to cook delicate foods. For example, these very low settings are suitable for simmering and poaching, melting chocolate and butter, holding cooked foods at temperatures without scorching or burning, etc.

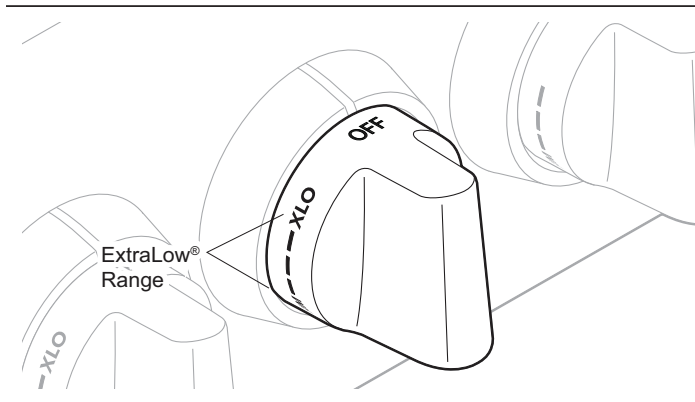


Figure 10: ExtraLow STAR Burner Control Knob

Operation of the ExtraLow® Burner

- XLO, the very lowest setting, is achieved by cycling the flame ON for approximately 7 seconds and OFF for 53 seconds of each minute.
- When the knob is rotated just beyond the SIM setting, the flame will cycle ON for approximately 53 seconds and OFF for 7 seconds of each minute.
- To vary the amount of low heat, the control can be set anywhere within the SIM and XLO range marked on the knob.

ExtraLow® Techniques

- The type and quantity of food affects which setting to use.
- The pan selected affects the setting. Its size, type, material, and whether a lid is used, all affect the consistency of the cooking temperature.
- To maintain a low or simmer heat, bring food to a rolling boil. Stir well, then cover the pan and lower the heat to a setting just below SIM.
- Check periodically to see if the control knob should be turned to another setting.
- If an over-size pan is used, the simmer action may occur mainly in the center of the pan. To equalize the temperature throughout the food, stir the food around the outer edges of the pan into the food in the center.
- It is normal to stir food occasionally while simmering. This is especially important when simmering for several hours, such as for a homemade spaghetti sauce or beans.
- When lowering the flame setting, adjust it in small steps.
- If the setting is too low to hold a simmer, bring the food back to a boil before re-setting to a higher heat.
- It is normal not to see simmer bubbles immediately after the food has been stirred.
- There may be bubbling when the flame cycles ON and no bubbles when the flame is OFF. Even when the flame is OFF, there will be steam and a slight quiver on the liquid's surface.

POWERBOOST®

The POWERBOOST, or XHI, is located at the right-front position of the rangetop. It offers the convenience to quickly boil water, sear steaks, stir-fry vegetables, etc. Use of the SIM and XLO remains the same as the other XLO Knobs.

Automatic Re-Ignition

Each STAR® burner has its own electronic igniter that sparks when the burner is turned on. Each burner should light in 4 seconds or less. If a burner does not light, check to see that the burner cap is positioned correctly on the base.

If any one or more burners blow out, the electronic igniter automatically activates to re-light the flame. **DO NOT** touch the STAR burners when the igniters are active.

IMPORTANT:

- For proper combustion, **DO NOT** use the cooktop without the burner grates in place.
- There is a slight sound associated with gas combustion and ignition. This is normal.
- On cooktops using propane (LP) gas, a slight “pop” sound may be heard from the STAR burner ports a few seconds after the burner has been turned off.

Power Failure

- In the event of a power failure, only the Standard burners can be manually lit. It is necessary to light each one individually.
- If the cooktop is being used when the power failure occurs, turn all knobs to the OFF position.
- The Standard STAR® burners can be lit by holding a match at the ports and turning the control knob to the HI position. Wait until the flame is burning all around the burner cap before adjusting the flame to the desired level.
- **DO NOT** attempt to light the two left and two right XLO® burners manually during a power failure. These burners are equipped with the ExtraLow® feature and cannot be lit manually.
- If an ExtraLow burner is on when a power failure occurs, it cannot be turned back on until the knob is first turned to the OFF position.
- The griddle or grill accessory cannot be used during a power failure.
- If you smell gas, refer to safety precautions listed in the *Safety* section.

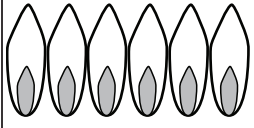
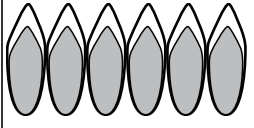
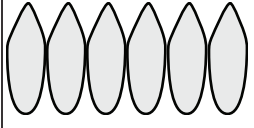
WARNING

In the event of a power failure, turn all knobs to the OFF position. Only the Standard burners can be lit manually.

Flame Height

- The correct flame height depends on 1) size and material of pan being used; 2) food being cooked; and 3) amount of liquid in the pan.
- Never extend the flame beyond the base of the pan.
- Use a low or medium flame for pan materials that conduct the heat slowly, such as porcelain coated steel or glass-ceramic.

Flame Description

Yellow Flames: Further Adjustment is required.	
Yellow Tips on Outer Cones: Normal for LP Gas	
Soft Blue Flames: Normal for Natural Gas	

If the flame is completely or mostly yellow, verify that the regulator is set for the correct fuel. After adjustment, retest.

Some orange-colored streaking is normal during the initial start-up. Allow unit to operate 4-5 minutes and re-evaluate before making adjustments.

Figure 11: Flame Characteristics

- The burner flame color should be blue with no yellow on the tips. It is common to see orange in the flame color; this indicates the burning of airborne impurities and will disappear with use.
- With propane (LP) gas, slight yellow tips on the primary cone are normal.
- The flame should burn completely around the burner cap. If it doesn't, check that the cap is positioned correctly on the base and that the ports are not blocked.
- The flame should be stable with no excessive noise or fluttering.

Cookware Recommendations

⚠ WARNING

To avoid risk of serious injury, damage to appliance or cookware, please observe the following:

- Bakeware, such as large casserole pans, cookie sheets, etc. should never be used on the cooktop.
- Placement of large stock pots should be staggered when used on the cooktop.

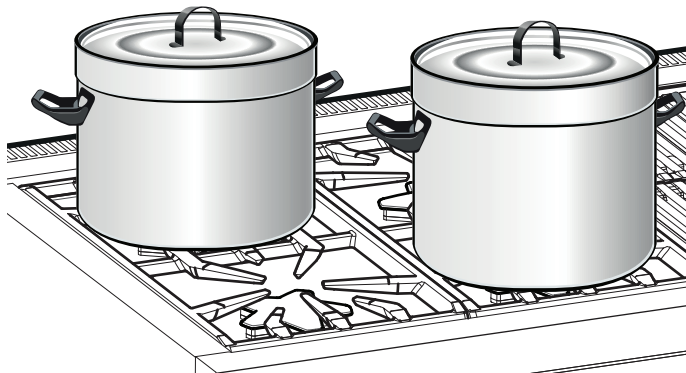


Figure 12: Stagger Pots

- Select the base diameter to match the diameter of the flame. The diameter of the flame should be the same size as the pan base or slightly smaller. Oversize or under size pans sacrifice cooking performance. A 5½" (140 mm) base size is generally the smallest recommended.
- Avoid using high flame setting with a pan larger than the grate or with one that spans more than one burner, such as a griddle, for prolonged periods of time. This can result in poor combustion that generates harmful by-products.
- Balance is important for stability and even cooking. The handle must not be heavier than the pan and tilt it unevenly. A pan must sit level on the grate without rocking or wobbling.

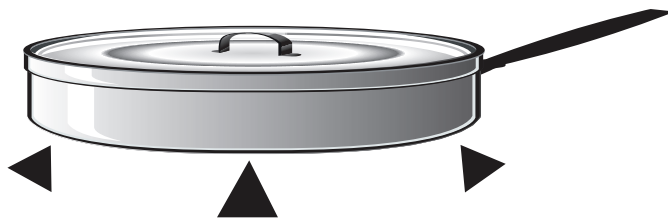


Figure 13: Balanced Pan

- Food packaged in aluminum foil should not be placed directly on the burner grate. Aluminum foil can melt during cooking.

- Do not let plastic, paper or cloth come in contact with a hot burner grate. They may melt or catch fire.
- Never let a pan boil dry. This can damage your pan and the cooking surface.
- Professional quality pans with metal handles are recommended because plastic handles can melt or blister if the flame extends up the side of the pan. Professional quality pans are found at restaurant supply stores and gourmet specialty shops. All cookware should have these characteristics: good heat conductivity, good balance, correctly sized base diameter, a heavy, flat base, and a proper fitting lid.
- For best cooking results, the flame should be contained under the bottom of the pan.
- Aluminum and copper are pan materials that conduct the heat quickly and evenly. These metals are sometimes attached to the base or in the core between stainless steel.
- A heavy, flat base is more apt to remain flat when heated. Pan bases that are warped, dented, ridged or too lightweight will heat unevenly. Heat and cool pans gradually to avoid sudden temperature changes which tend to distort cookware. **DO NOT** add cold water to a hot pan.

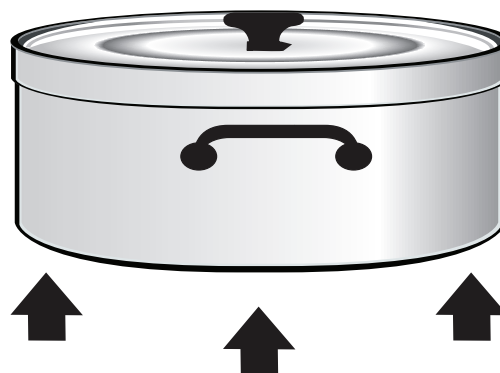


Figure 14: Flat Base Pan

- A properly fitting lid will shorten cooking time and make it possible to use lower heat settings.

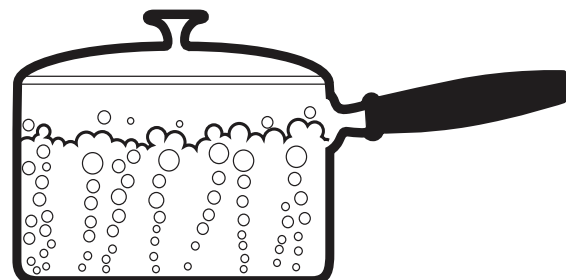


Figure 15: Covered Pan

Specialty Cookware

Woks

- Either flat-based or round-bottom woks with the accessory ring can be used on all models. Round bottom woks must be used with a support ring. The Wok pan and the porcelain-coated cast iron wok support ring must be purchased separately.

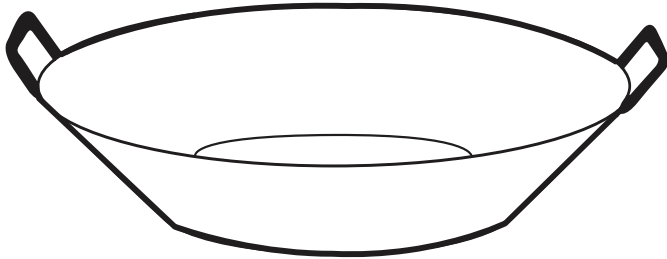


Figure 16: Flat-Bottom Wok Pan

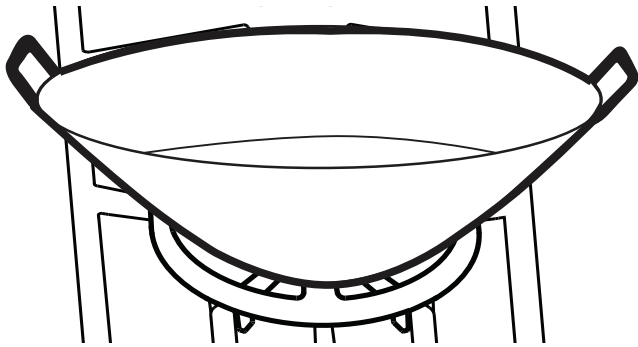


Figure 17: Round-Bottom Wok in Support Ring

Canners and Stock Pots

- Select one with a base diameter that extends no more than 2" (51 mm) beyond the grate.

Standard Size Water Bath Canner

- 21 to 22 quarts (19.95 to 20.9 liters), with an 11" to 12" base (279–305 mm) and a 9" to 11" depth (229–279 mm).

Standard Size Pressure Canner

- 8 to 22 quarts (7.6 to 20.9 liters), with an 8" to 11" base (203–279 mm) and a 6½" to 12" depth (165–305 mm).

Canning Tips

- A flat base pan is preferred to one with a concave, convex or rippled base.
- When using two canners at the same time, use staggered burners. Do not block air to the burners. A flame needs the right amount of air for complete combustion.
- Use a cover on a canner when bringing the contents to a boil.
- Once the contents have reached a boil on HI, use the lowest flame possible to maintain the boil or pressure.
- Canning produces a large amount of steam. Take precautions to prevent burns.

Suggestions For Using the Surface Burner Cooking Recommendations

Use the chart beginning on *page 18* as a guide. The settings you use will vary depending on the pans selected and the starting temperature of the food.

On the chart, the "Finish Setting" has been separated for the Standard and ExtraLow® STAR® burners. There may or may not be a change between the two burner settings.

The ExtraLow setting can be either a cooking or a holding setting.

Raise or lower the flame setting gradually. Allow time for the pan and the food to adjust to the new setting.

Surface Burner Cooking Recommendations

FOOD	START SETTING	FINISH SETTING STANDARD BURNERS	FINISH SETTING XLO® BURNERS
BEVERAGES Cocoa	MED – heat milk, cover	SIM – finish heating	XLO – keep warm, cover*
BREADS French Toast, Pancakes, Grilled Sandwiches	MED – preheat skillet	SIM to MED – cook	Same as for Standard Burners
BUTTER Melting	SIM – to start melting		Allow 5 – 10 minutes to melt
CEREALS Cornmeal, Grits, Oatmeal	HI – cover, bring water to a boil, add cereal	SIM to MED – finish cooking according to package directions	Same as for Standard Burners XLO – to hold, cover*
CHOCOLATE Melting	XLO – may be stirred to hasten melting		XLO – allow 10 – 15 minutes to melt XLO – to hold*
DESSERTS Candy	SIM to MED – cook following recipe	SIM to MED	Same as for Standard Burners
Pudding and Pie Filling Mix	SIM to MED SIM – cook according to package directions	SIM	Same as for Standard Burners
Pudding	SIM to MED SIM – bring milk to a boil	SIM	Same as for Standard Burners
EGGS Cooked in Shell	MED HI – cover eggs with water, add lid, bring to boil		XLO – cook 3 – 4 minutes for soft cooked; or 15 – 20 minutes for hard cooked
Fried, Scrambled	SIM to MED – melt butter, add eggs	SIM finish cooking	Same as for Standard Burners XLO – to hold for a short period*
Poached	HI – bring water to the boiling point, add eggs	SIM to MED – finish heating	Same as for Standard Burners
MEAT, FISH, POULTRY Bacon, Sausage Patties	MED HI – until meat starts to sizzle	SIM to MED – finish cooking	Same as for Standard Burners
Braising: Swiss Steak, Pot Roast, Stew Meat	MED HI – melt fat, then brown on MED HI , add liquid, cover		XLO – Simmer until tender
Quick Frying: Breakfast Steaks	MED HI – preheat skillet	MED HI – fry quickly	Same as for Standard Burners
Frying: Chicken	MED HI – heat oil, then brown on MED	SIM – cover, finish cooking	Same as for Standard Burners
Deep Frying: Shrimp	MED HI – heat oil	MED to MED HI – to maintain temperature	Same as for Standard Burners
Pan Frying: Lamb Chops, Thin Steaks, Hamburgers, Link Sausage	MED HI – preheat skillet	MED – brown meat	Same as for Standard Burners XLO – to hold

* These foods should be stirred occasionally.

FOOD	START SETTING	FINISH SETTING STANDARD BURNERS	FINISH SETTING XLO® BURNERS
Poaching: Chicken, whole or pieces, Fish	MED HI – Cover, bring liquids to a boil		To finish cooking
Simmering: Stewed Chicken, Corned Beef, Tongue, etc.	HI – cover, bring liquid to a boil		XLO – to simmer slowly XLO – to hold, cover
PASTAS Macaroni, Noodles, Spaghetti	HI – bring water to a boil, add pasta	MED HI to HI – to maintain a rolling boil	Same as for Standard Burners
POPCORN (use a heavy, flat bottom pan)	HI – cover, heat until kernels start to pop	MED HI – finish popping	Same as for Standard Burners
PRESSURE COOKER Meat	MED HI to HI – build up pressure	SIM to MED – maintain pressure	Same as for Standard Burners
Vegetables	HI – build up pressure	SIM to MED – maintain pressure	Same as for Standard Burners
RICE	HI – cover, bring water and rice to a boil	SIM – to maintain Low Boil. Cover and cook until water is absorbed	Same as for Standard Burners XLO – to hold, cover
SAUCES Tomato Base	MED HI – cook meat/vegetables, follow recipe	SIM – to maintain simmer	XLO – simmer to thicken sauce, uncovered
White, Cream, Bernaise	MED – melt fat, follow recipe	SIM – finish cooking	XLO – to hold, cover*
Hollandaise	XLO		XLO – to hold, lowest setting for short period, stir frequently
SOUPS, STOCK	HI – cover, bring liquid to a boil	SIM to maintain simmer	Simmer XLO – to hold, cover*
VEGETABLES Fresh	HI – cover, bring water and vegetables to a boil	SIM to MED – cook 10 minutes, or until tender	Same as for Standard Burners XLO – to hold, cover
Frozen	HI – cover, bring water and vegetables to a boil	SIM to MED – cook according to package directions	Same as for Standard Burners
Deep Frying	HI – heat oil	MED to MED HI – maintain frying temperature	Same as for Standard Burners
In Pouch	HI – bring water and pouch to a boil	SIM to MED – cook according to package directions	Same as for Standard Burners
Saute	HI – heat oil or melt butter, add vegetables	SIM to MED – cook to desired doneness	Same as for Standard Burners
Stir Fry	HI – heat oil, add vegetables	HI to MED HI – finish cooking	Same as for Standard Burners

* These foods should be stirred occasionally.

Using the Electric Griddle

(available on some models)

Description

The built-in griddle is made of restaurant-quality aluminum with a non-stick coating. This produces a surface with even heat that is easy to clean.

A maple chopping block, stainless steel cover, and coated-aluminum grill plate are available as accessories and are purchased separately. The maple chopping block and stainless steel cover are sized to fit on top of the surface when the griddle is not being used. The coated-aluminum grill plate accessory is designed to replace the griddle plate. See the instructions that come with the accessory for details.

The maple chopping block and stainless steel cover must be removed before turning the griddle on.

⚠ CAUTION

The griddle element is hot after use. Allow sufficient time for griddle components to cool before cleaning.

⚠ WARNING

To avoid risk of injury, **NEVER** operate griddle without the griddle plate installed. **NEVER** use griddle in a manner that is not prescribed by the Use and Care Guide.

The griddle plate (or grill plate accessory) must always be in place when the griddle is turned on.

- The electric griddle element is rated 120 volts AC, 1,630 watts.
- The griddle is electronically controlled with temperatures marked on the knob from 150 – 500°F (66 – 260°C).
- There are no fixed settings on the knob.
- Press and turn the knob clockwise to the temperature setting.

Preparing the Griddle

If the range is equipped with an electric griddle, check the griddle frame adjustment by pouring two tablespoons of water on the back of the griddle plate. The water should slowly roll into the grease tray. If not, adjust the two screws under the back of the frame. Start with one half turn counterclockwise (CCW) of the screws. Further adjustment should be made by one-quarter turn until water slowly flows into the grease tray (*Figure 18*).

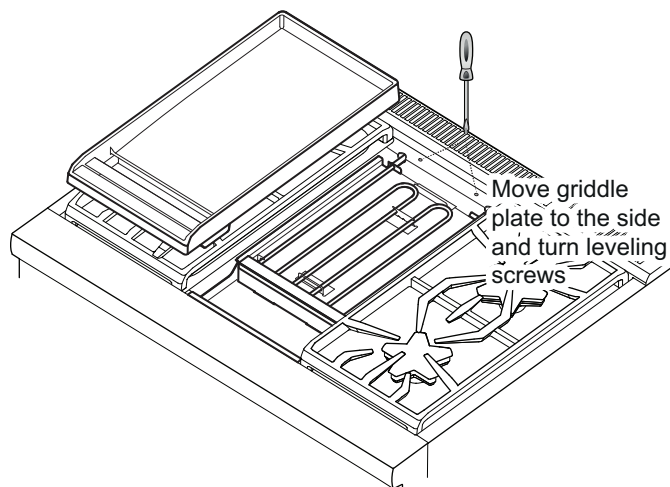


Figure 18: Griddle Plate Leveling Screws

The griddle plate should be washed with warm soapy water then rinsed with clear water prior to use. The griddle may be used without any butter, margarine or oil. However, a very small amount may be used to flavor foods.

DO NOT use metal utensils on the griddle surface. Care should be taken that the surface is not gouged when utensils are used. **DO NOT** cut directly on the griddle plate.

NOTICE: Griddle/Grill performance may vary if there is an excessive amount of airflow in the vicinity of the appliance. The excessive airflow could be from an air-conditioning register or ceiling fan blowing at the cooktop. This could create longer than normal heat-up time, or it could cause the Griddle/Grill temperature to be higher or lower than the knob setting.

NOTE: Having a properly installed ventilation hood is not considered a source of excessive airflow.

Cooking on the Griddle

1. Turn the knob to the appropriate cooking temperature to preheat the griddle.
2. Preheat until the griddle light goes off.
3. Add butter, margarine, oil or shortening if desired.

Griddle Cooking Recommendations

FOOD *	SETTING
Eggs	325°F – 350°F (160°C – 180°C)
Bacon, Breakfast Sausage	450°F – 475°F (230°C – 245°C)
Toasted Sandwiches	375°F – 400°F (190°C – 200°C)
Boneless Chicken Breasts	425°F – 450°F (220°C – 230°C)
Boneless Pork Chops, 1" (25.4 mm) thick	425°F – 450°F (220°C – 230°C)
Steaks, 1" (25.4 mm) thick	450°F – 475°F (230°C – 245°C)
Ground Beef Patties, 6 ounces	450°F – 475°F (230°C – 245°C)
Ground Turkey Patties, 6 ounces	450°F – 475°F (230°C – 245°C)
Hot Dogs	350°F – 375°F (180°C – 190°C)
Ham Slices, ½" (12.7 mm) thick	350°F – 375°F (180°C – 190°C)
Pancakes, French Toast	400°F – 425°F (200°C – 220°C)
Potatoes, Hash Browns	400°F – 425°F (200°C – 220°C)

* Level foods to a uniform thickness to ensure even cooking.

Use the lowest cooking temperature possible. Recipes may need to be modified as the non-stick coating browns and sears at lower temperatures.

Griddle Grease Tray

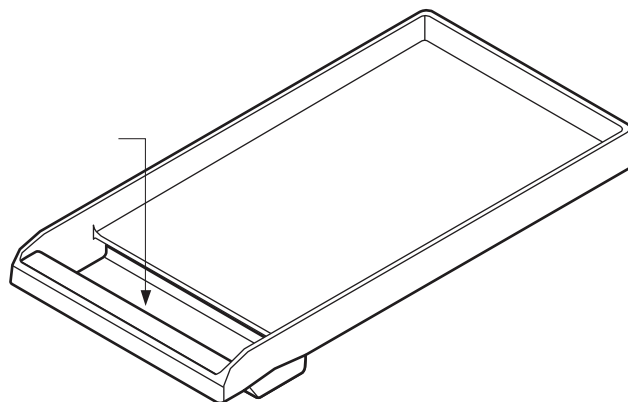


Figure 19: Grease Tray

- Clean the tray after every use. When removing the tray, use care when tipping it so that the contents do not spill.
- The griddle plate and its grease tray are dishwasher safe.
- After cooling, pour the grease into a grease-resistant container for disposal.

Care and Cleaning the Griddle Plate

- **NEVER** flood a hot griddle plate with cold water. This can damage the griddle plate.
- **DO NOT** clean the griddle plate in a self-cleaning oven.
- Care should be taken to avoid scratching or gouging the surface.
 - **DO NOT** cut food directly on the griddle plate.
 - **DO NOT** use metal utensils.
 - Use plastic or wood utensils to avoid scratching the non-stick surface.
- The griddle plate is dishwasher safe, however, hand washing the griddle plate is recommended.

Instructions for Seasoning the Griddle Plate

If the griddle plate seems to lose its non-stick abilities over time, the following instructions should help regain the griddle's non-stick properties. For optimal performance and long life of your griddle plate, follow these simple cleaning and seasoning instructions.

Prepping the Griddle for Seasoning

The griddle plate must be clean and all residue removed before the griddle plate is seasoned.

1. Use a mixture of coarse salt and a small amount of white vinegar to buff off any residue from the griddle plate.

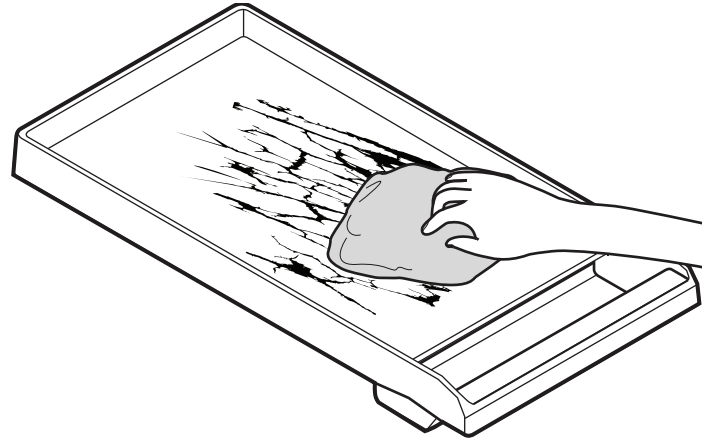


2. Rinse well with clean water.
3. Dry the griddle plate thoroughly.

Griddle Seasoning

Seasoning is a process by which a layer of animal fat or vegetable oil is applied and baked into the cookware. The seasoning layer provides a non-stick surface for cooking.

1. Use a paper towel to apply a thin, even coating of lard, Crisco[®], or olive oil to the griddle surface.



2. Bake the griddle plate in a 350°F oven for 1 hour.
3. Remove the griddle plate from the oven and allow to cool to room temperature.
4. Apply a second layer of fat or oil and bake at 350°F for 1 hour.
5. Repeat process at least one additional time – making 3 coats of oil or fat.

After Seasoning

1. After cooking on your seasoned griddle, allow to cool and wipe clean with a damp cloth. Allow to dry.
2. Add a thin coating of oil or fat before storing your griddle in a cool, dry place.
3. Repeating this process will season the griddle and maintain non-stick properties. Performance will improve over time with more seasoning.
4. To strip the griddle to re-season, a mixture of salt and vinegar should be used to remove any oil layers from the previous seasoning process.

Using the Electric Grill

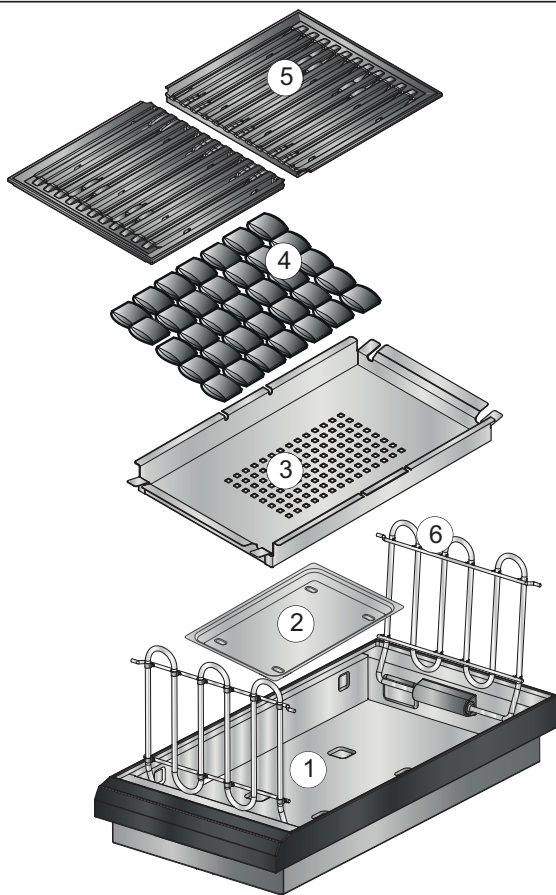
(available on some models)

Description

The built-in grill is made of restaurant-quality cast iron grates. This produces a surface with even heat that is easy to clean.

A non-stick cast iron griddle plate (*PAGRIDDLEN*) is available as an accessory and may be purchased separately. See the instructions that come with the griddle plate accessory for more details.

Assembling the Grill



1. Grill Housing
2. Drip Tray
3. Briquette Basket
4. Ceramic Briquettes
5. Grill Grate (x2)
6. Heating Element (x2)

1. Rotate heating elements (6) up and remove the briquette basket (3) stored inside the grill housing (1).
2. Place the drip tray (2) in the bottom of the grill housing (1). (Drip tray is packaged in the large cardboard box that was on top of the range.) Align the embosses of the drip tray (2) with the depressions on the bottom of the grill housing (1).
3. Place the briquette basket (3) in the grill housing (1).
4. Arrange the ceramic briquettes (4) on the briquette basket (3), in a single layer, with each briquette touching the edges of the surrounding briquettes. The ceramic briquettes should not contact the heating elements.
5. Fold both grill heating elements (6) down. The grill heating elements must lie flat. Supports should rest inside of side notches.
6. Install the grill grates (5). Ensure grates are seated level inside the grill housing (1).
 - The grill grates should be washed with warm soapy water then rinsed with clear water prior to use.

Operating the Grill

⚠ WARNING

- To avoid risk of injury, **NEVER** operate grill without the grates or griddle plate accessory installed.
- **NEVER** leave grill unattended while cooking.
- Observe caution with oils and fats. Overheated oils and fats can easily cause fires.
- **DO NOT** use wood chips, lava rocks, or charcoal briquettes. Only use recommended ceramic briquettes (*PABRICKBKN*).
- **DO NOT** use dishes, pans, pots, or other cookware on the grill.
- **Never use aluminum foil to cover the grates or to line the grill.** It can damage the grill and cause a fire hazard if heat is trapped under it.
- Check grease tray before each use. Too much grease in the tray may cause a fire hazard.
- If flames appear, grease should be cleaned from grates, grease tray, briquette basket and other surfaces.
- Grease build up encourages flame and smoke development while cooking.
- Ceramic briquettes must be replaced when they begin to turn black. This means that they are saturated with fat and may smoke heavily during operation or the fat may catch fire.

IMPORTANT:

- If flames appear while grilling, turn off heat and remove the food. Use caution to avoid any potential injury while removing food.
- Often, such flames will extinguish themselves within a few minutes once grease drippings have burned up. **DO NOT** leave the grill unattended until all flames are extinguished. If desired, flames can be extinguished by generously shaking baking soda or salt over them to smother fire.
- If flames appear, ceramic briquettes should be replaced and grease should be cleaned from grates, grease tray, briquette basket, and other surfaces before using the grill again. Built up grease which is allowed to remain encourages flame and smoke development while cooking.
- Moist food should be dried, before placing on grill.
- Marinated food may cause more smoke to be produced!
- During grilling, dripping fat may flare up briefly.

WARNING

TO AVOID RISK OF BURNS:

- Use proper utensils with long handles that allow the chef plenty of clearance from the heat and potential flare ups.
- **DO NOT** wear loose clothing while cooking.
- Never leave grill unattended while cooking.
- After each use, remove grease buildup from the grill surfaces and the trays below the grill to avoid risk of fire. Ventilation hoods should also be cleaned periodically as needed and as recommended by the User Manual as well as surrounding surfaces.
- Keep a fire extinguisher nearby and accessible.

Operation

1. Before turning on, make sure that there are ceramic briquettes in the appliance and both grill grates are correctly fitted. Turn on forced air ventilation.

2. Press and turn the knob to the desired temperature setting.
 - The grill is electronically controlled with power settings LOW through HIGH. There are no fixed settings on the knobs.
 - The two grill heating elements can be regulated separately. This allows you to grill food with different temperature requirements at the same time, or you can use one area to grill and the other to keep warm.
3. During the initial use, heat the grill for about 10 minutes to eliminate manufacturing residues and smells.
4. For best results, allow the grill grates to preheat before placing food on them.

CAUTION

Clean the grill after each use. Allow the appliance to cool before cleaning.

Grilling Tips

- The grill should be preheated a minimum of 10 minutes before cooking. Depending on browning preference and the types of food being prepared, as much as 15 minutes of pre-heat time may be required.
- Soak wooden skewers in water a minimum 20 minutes before placing on the grill.
- Prior to grilling, you can coat the food with heat-resistant oil (e.g. peanut oil) or marinate it. Make sure not to use too much oil/marinade, as otherwise it may catch fire and generate thick smoke.
- Lay the food directly on the grill grates. **DO NOT** use aluminum foil or grill trays.
- Cured meat, such as ham or smoked pork chops, is not suitable for grilling. Unhealthy chemical compounds may form.
- To prevent flare-ups, remove excess fat from foods prior to grilling.
- **DO NOT** use cleaners on elements. Allow grease to burn off the elements.
- To soak up fat on the griddle plate, sprinkle coarse salt onto the grilling surface after use.

Grill Cooking Recommendations

IMPORTANT:

- **GRILL SHOULD NOT BE OPERATED WITHOUT PROPER VENTILATION.**
- **Foods with excessive fat or grease should not be prepared on an indoor grill. Grilling foods with high fat content (certain types of ground beef, sausage, etc) increases the chances of smoke and flames.**

FOOD*	SETTING**	COOK TIME (MINUTES)	NOTES
BEEF			
Hamburgers, ¾" (2 cm) (medium)	HIGH	12 – 14	Ready to turn once juices appear on the surface.
T-Bone Steak, 1½" (4 cm) (medium)	HIGH	20 – 22	Remove excess fat.
Ribeye or Sirloin, 1" (3 cm) (medium)	HIGH	10 – 12	Remove excess fat.
Kebabs, Steak (medium)	HIGH	24 – 28	Turn occasionally.
PORK			
Pork chops, ¾" (2 cm)	HIGH	16 – 20	Remove excess fat.
Sausages or Bratwurst	MED HIGH	16 – 20	Pierce before grilling.
Hot Dogs	HIGH	6 – 8	Place on grill horizontally.
POULTRY			
Legs and thighs	MED HIGH	34 – 38	Turn occasionally, remove excess skin.
Chicken wings, whole	MED HIGH	18 – 22	Turn occasionally.
Chicken breasts, ½" (1 cm), boneless	MED HIGH	20 – 24	Pound to an even thickness before cooking.
Kebabs, chicken	HIGH	30 – 33	Turn occasionally.
SEAFOOD			
Fish steak, 2" (6 cm)	MED HIGH	18 – 20	Brush with oil before grilling.
Fish fillet, ¾" (2 cm)	MED HIGH	16 – 20	Brush with oil before grilling.
Shrimp skewers	MED HIGH	10 – 14	Turn occasionally.
PRODUCE			
Portobello mushrooms	HIGH	8 – 10	Brush with oil.
Bell peppers, quartered	HIGH	8 – 10	Turn occasionally.
Eggplant, sliced, ½" (1 cm)	HIGH	8 – 10	Brush lightly with oil.
Tomatoes, halves	HIGH	8 – 10	Brush with oil.
Pineapple, sliced	HIGH	4 – 6	—
Peaches, halves	HIGH	4 – 6	—
OTHER			
Hamburger or hot dog buns	MED HIGH	4 – 6	Brush with butter.
Tofu, extra firm, sliced	MED HIGH	8 – 12	Skewer for easier grilling.

* Level foods to a uniform thickness to ensure even cooking.

** The values in the settings table should only be regarded as guidelines, since more or less heat may be required depending on the type and condition of the food.

Using the Oven

Oven Operation

Rack Positions for Main Oven

Rack level positions in the oven are numbered like an elevator. Number one level is the lowest.

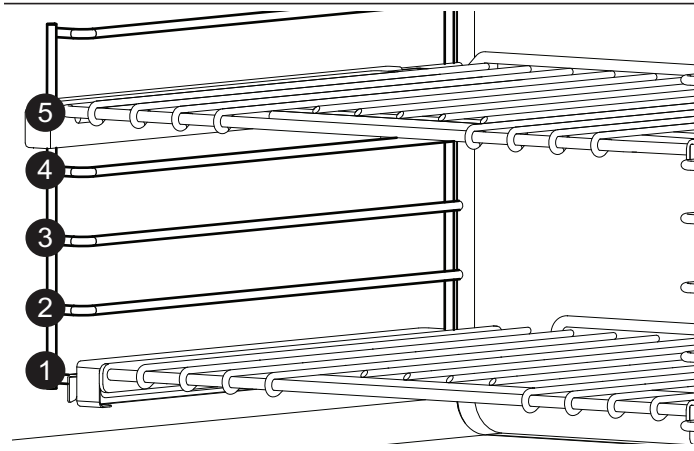


Figure 20: Main Oven with Rack Positions

NOTE: Rack positions are general recommendations for baking; however, if a recipe calls for a different rack position than those given, then the recipe or package directions should be followed.

One Rack Baking

Level	BAKE Mode
#3	-- Best used for most baked items.
#2	-- If the item is tall, such as an angel food cake. -- Pies are best baked on rack level #2 to make certain the bottom of the crust is done without over-browning the top. -- When large pieces of meat or poultry are roasted, such as a prime rib of beef or a turkey.

Two Rack Baking

Levels	BAKE or CONVEC BAKE Mode
#2 & #4	-- Casserole dishes

Secondary Oven Baking (48" models only)

Level	BAKE Mode
#3	-- Best used for most baked items.
#2	-- When additional height is needed. -- Pies are best baked on rack level #2 to make certain the bottom of the crust is done without over-browning the top.

Main Oven Three Rack Baking

If three-rack baking is desired, the Convection Bake mode is best.

Getting the Best Results

- Minimize opening the door:
 - Use the built-in timer.
 - Use the interior oven light.
- Use the rack position recommended by the recipe.
- Use the bakeware recommended in the recipe.
- Store the broiler pan(s) outside the oven. An extra pan without food, affects the browning and cooking.
- The type of pan used affects the browning:
 - For tender, golden brown crusts, use light non-stick/anodized or shiny metal pans.
 - For brown crisp crusts, use dark non-stick/anodized or dark, dull metal pans or glass bakeware. These may require lowering the bake temperature 25°F (14°C).

Preheating the Oven

- Most cooking times in recipes are designed for a preheated oven and require that the oven already be at a certain temperature before cooking starts. Refer to your recipe for preheating recommendations.
- Preheating time depends on the temperature setting and the number of racks in the oven.

Bakeware Type

- Metal bakeware (with or without a non-stick finish), heat-proof glass, glass-ceramic, pottery, or other utensils are suitable for the oven.
- Suitable cookie sheets have a small lip on one side. Heavy sheets or those with more than one side may affect the baking time.

Pan Placement

- Allow at least 1" (25.4 mm) of space between the pans and the oven walls so heat can circulate around each pan.

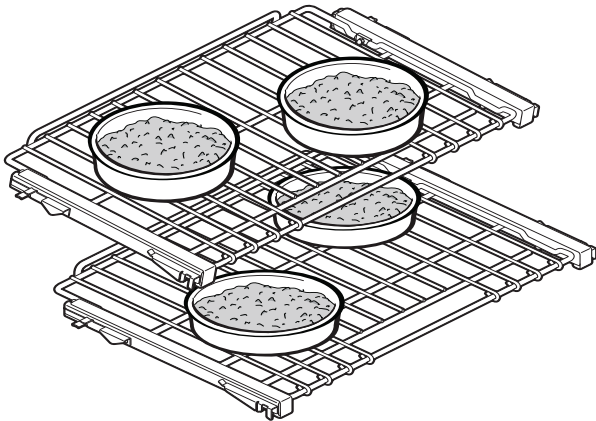
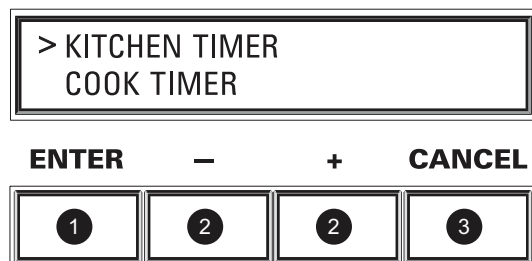


Figure 21: Pan Placement

- Stagger bakeware so that one is not directly above another. Allow 1½" (38 mm) above and below each pan.

Oven Setting Controls



- ENTER** verifies a selection
- (-) decreases and (+) increases time and/or temperatures, it is also used to scroll through menu items.
- CANCEL** clears all oven operations.

Figure 22: Oven Setting Controls

Kitchen Timer

The Kitchen Timer can be set for up to 12 hours. It can be used despite whether the range is in operation and independently of all other functions.

Cook Timer

The Cook Timer is intended to mechanically shut the oven off when the desired cooking time is complete. The Cook Timer function is available for all of the primary cooking modes except for Self-Clean mode.

To set the timer:

- Press **ENTER**.
- Use the "+" and "-" buttons to select either **KITCHEN TIMER** or **COOK TIMER**.
- Press **ENTER**.
- Press the "+" and "-" buttons to select desired time.
- A beep sounds when the timer ends. Press **CANCEL** to terminate the beep and timer.

NOTE:

- COOK TIMER** cannot be used if a temperature probe is in use.
- The maximum timer setting is 12 hours.

Setting Bake, Convection Bake, and Roast

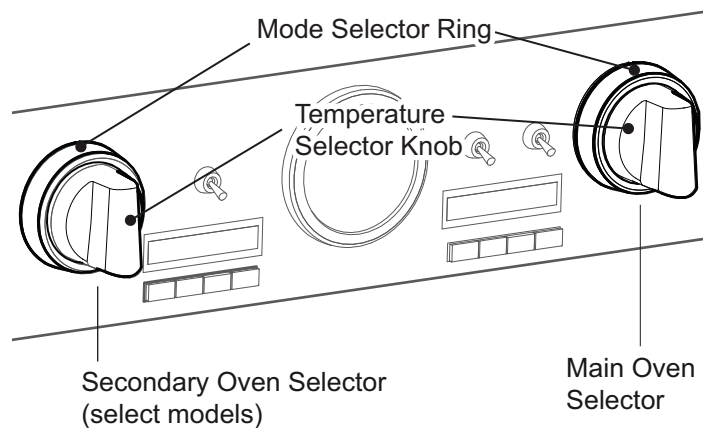


Figure 23: 48" Model Control Panel (appearance may vary)

Set the Ovens

- Place rack in desired rack position and shut the door.
- Set the Mode Selector Ring to **BAKE**, **CONVEC BAKE**, **ROAST**, or **CONVEC ROAST**.
- Set the Temperature Selector Knob to desired temperature setting.
 - Readout will display "Preheating [...]" with the selected cooking mode (for example, "Bake") and the desired temperature ("350°F"). Display will beep to indicate oven has finished preheating.
 - The temperature gauge will start to move toward the temperature setting. The temperature gauge reflects the temperature setting.
 - The needle of the temperature gauge will move to the new selected temperature setting if the temperature setting is increased or decreased.
 - The gauge is for reference only.**

- As the oven cools down, the temperature gauge will reduce, to reflect the cooling oven temperature.

4. After oven has preheated, place food inside.

Meat Probe

The meat probe allows you more control over how your foods are cooked by automatically disabling the specified cooking mode when a dish's desired temperature, defined by the cook, has been reached. The probe expresses the current temperature of the meat as it cooks.

Programming the meat probe

1. In the large oven, or in the small oven on select models, locate the outlet (Figure 24).

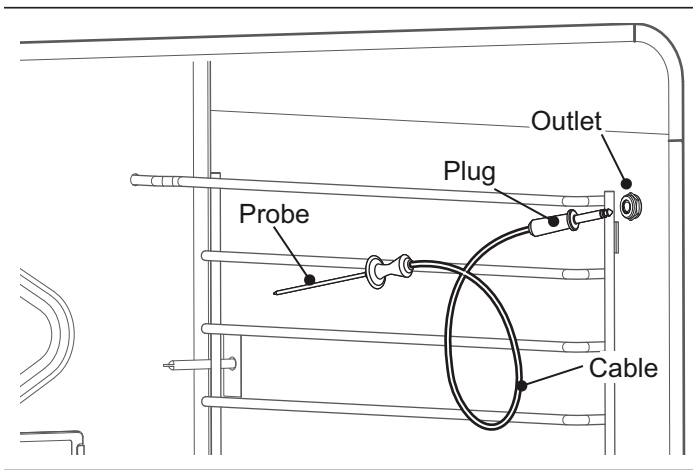


Figure 24: Meat Probe

2. Insert the plug end into the outlet.
 - Control screen will automatically display PROBE and default to 120°F (49°C).
3. Insert probe end into the meat.
 - To avoid damaging the probe, ensure that the meat is fully defrosted before inserting the probe.
 - Insert the probe until its tip is rested in the center of the thickest, meatiest portion of the meat. Ensure that the probe does not touch bone, fat, or gristle.
 - For poultry, the meat probe should be inserted into the interior thigh muscle.
 - The probe should not touch any part of the cooking dish or parts of the oven, as this will affect the accuracy of the results.
4. Close the oven door.
5. Press the (-) to decrease or (+) to increase to the desired internal temperature to be met.
6. Select the desired *cooking mode* and *oven temperature* using the knobs on the control panel.

- The probe function is only available for *Bake*, *Convection Bake*, and *Roast* modes.
 - Probe is not available when Cook Timer has been set.
 - The range for the probe temperature is between 120°F (49°C) and 200°F (93°C).
 - The oven display indicates the current temperature of the meat as it cooks.
7. When the actual probe temperature reaches the desired set temperature, the cooking mode will be finished and the “end of cook timer” will beep to indicate that the cooking process has concluded.

MINIMUM INTERNAL COOKING TEMPERATURES

The minimum internal temperatures that foods must reach to be considered safe to eat, as determined by the U. S Department of Agriculture Food Safety and Inspection Service, are as follows:

GROUND BEEF, VEAL, LAMB, PORK	160°F (72°C)
BEEF, VEAL, LAMB ROASTS, STEAKS, CHOPS	
Medium rare	145°F (63°C)
Medium	160°F (71°C)
Well done	170°F (77°C)
PORK ROASTS, STEAKS, CHOPS	
Medium	160°F (72°C)
Well done	170°F (77°C)
HAM	
Cook before eating	160°F (72°C)
Fully cooked, to reheat	140°F (60°C)
POULTRY	
Ground chicken, turkey	165°F (74°C)
Whole chicken, turkey	180°F (82°C)
Breasts, roasts	170°F (77°C)
Thighs and wings	180°F (82°C)
Stuffing (cooked alone or in bird)	165°F (74°C)
Egg dishes, casseroles	160°F (72°C)

IMPORTANT:

- To avoid damaging your probe, do not pull on the cable when trying to remove it from a dish.
- Do not use tongs or other instruments to pry on the probe when removing it or to ‘hammer’ the probe into a food dish.
- To prevent possible burns, wait until the oven has cooled before trying to remove the probe from the outlet.
- Do not store the probe inside the oven.

Fine Tuning the Oven

The **OFFSET** feature allows the cook to further fine-tune their cooking parameters to their own personal optimal settings by allowing them to adjust the temperature offset of the oven by +/-25°F (14°C) in increments of 5°F. For example, if the cook judges the oven temperature as too hot and wants to lower it by 5°F, press the “-” button. To increase the temperature by 5°F, press the “+”. This feature is useful if you find that food is consistently either too brown or too light for your tastes.

- The oven must be turned off in order to set an offset value.
- The Offset feature is available for all modes except Self-Clean.
- By default, the temperature is set at 0°.
- The unit will continue to run the input offset value indefinitely until the user manually changes it, or until the unit loses power, in which case Offset will need to be reset.

To set Offset

1. Press **ENTER**.
2. Using the “+” or “-” buttons, select **SETTINGS**.
3. Use the “+” or “-” buttons to select offset.
4. Press **ENTER**.

Sabbath Mode

Sabbath Mode is for faiths with “No Work” requirements on the Sabbath. The cook can prepare a meal prior to a holiday and then leave it in the always-warm oven until it is ready to be eaten.

- The oven lamp is disabled in Sabbath mode to prevent any action from occurring at any time the door is opened.
- The gas burners and griddle on the cooktop are still fully functional during Sabbath Mode.
- Sabbath Mode is only available when the range is not already in another active cooking mode or Self-Clean.
- After a power outage the unit will return to a disabled state. All elements and lights will be deactivated until the knobs are turned to the OFF position and the unit is reset. Opening the door will have no effect.
- Temperature may not be adjusted for the duration of the Sabbath mode.

To set Sabbath Mode:

1. Place prepared food in oven.
2. Using the “+” or “-” buttons, select **SABBATH**.
3. Use the “+” or “-” buttons to select one of three duration times: 26 hours, 50 hours, or 74 hours. Press **ENTER**.

4. The display will prompt the user to set **BAKE** and **TEMP**.
5. When the timer reaches “0:00”, the cooking mode will be finished and the display will beep. The oven will automatically turn off when the specified cooking time is complete.

Automatic operation of the cooling blowers

The cooling blowers activate after the oven reaches 300°F (149°C). When the oven is turned off, the blowers remain on until the oven temperature cools below 250°F (121°C).

DO NOT continue to use the ovens if the cooling blower fails to activate while baking. Call a qualified service agency to repair the range.

Roast

Roast has more top heat than traditional Bake. This additional top heat is for conventional open roasting when drippings are desired.

Roast Mode Tips

- Roast mode is excellent for less tender meats or poultry when meat is braised in a covered dish.
- Add liquids, such as water, juice, wine, bouillon or stock for flavor and moisture.
- Roasting bags are suitable to use in this mode.
- When roasting whole chickens or turkey, tuck wings behind back and loosely tie legs with kitchen string.

Roasting Recommendations

MEAT AND POULTRY	OVEN TEMPERATURE	RACK LEVEL
BEEF		
Pot roast, 3 – 4 pounds	350°F (180°C)	1
Beef brisket	350°F (180°C)	2
Beef chuck	350°F (180°C)	1
Meatloaf	350°F (180°C)	3
POULTRY		
Chicken, whole	375°F (190°C)	2
Chicken, pieces	375°F (190°C)	2
Turkey, whole	325°F (165°C)	2
PORK		
Shoulder	325°F (165°C)	1
Smoked ham, half	325°F (165°C)	1

Convection Baking

Cooking with Convection

There are many advantages to cooking with convection. In the convection system, a fan in the back of the oven moves heated air evenly around the oven. The moving air provides even heat so foods can be placed on any rack level with consistent results. Multiple racks of foods can be cooked or large quantities of foods can be cooked at the same time. Foods will cook thoroughly without having to rotate pans.

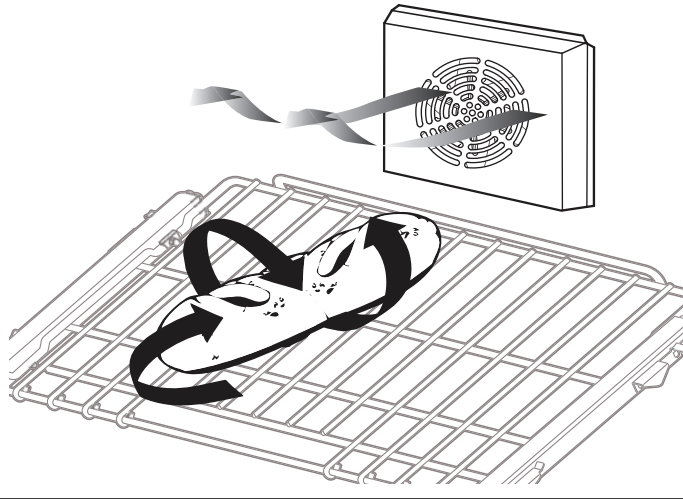


Figure 25: Convection Fan

Low, shallow bakeware should be used with convection cooking. This allows the heated air to circulate around the food. Pans with high sides or pans that are covered are not suitable for convection cooking because high sides or lids prohibit the warm air from circulating around the food.

Your favorite pans and cookware can be used for convection cooking provided they have low sides to allow the heated air to circulate around the food. Any food cooked uncovered will brown evenly and form a nice crust. Foods in covered dishes (casseroles, pot roast) or delicate custards do not benefit from convection cooking.

Convection Roast

Convection roasting combines the heat from the lower concealed element with additional heat from the convection element and fan. The result is a crispier exterior that seals in the interior juices. It is perfect for roasting tender meats in an uncovered, low-sided pan.

- **DO NOT** cover meat or use cooking bags.
- Roasting large cuts of meat and poultry generally takes 10 to 20% less cooking time. Check doneness early.

Convection Baking

Time can be saved by baking an entire batch of cookies at the same time. The cookies will bake evenly and be done all at once. The baking time may be shorter due to the warm circulating air. For small items such as cookies, check to see if they are done one to two minutes before the recipe time. For larger baked items such as cakes, check five to six minutes before the time indicated on the recipe.

Convection cooking of meat and poultry will result in foods that are brown and crispy on the outside and moist and juicy on the inside. Large meat or poultry items may cook up to 30 minutes less than the suggested time so check them early so they will not be over baked. Use of the built-in meat probe will provide more accurate results than the “minute per pound” method (see “*Setting Bake, Convection Bake, and Roast*” on page 27). The larger the piece of meat or poultry, the more time you will save.

Converting Conventional Baking to Convection Baking

To convert most recipes for baked items (cookies, cakes, pies, etc.), reduce the oven temperature by 25°F (14°C). For meats and poultry, the temperature should not be reduced. The temperature recommended in recipes and cooking charts for meats and poultry should be used.

Tips for Convection Bake

Preheating the Oven

Preheat the oven before cooking any foods, except large pieces of meat or poultry. See your recipe for preheating recommendation. Preheating time depends on the temperature setting and the number of racks in the oven.

Temperature Setting

When using Convection Bake, reduce the temperature recommended in the recipe by 25°F (14°C), although the temperature does not need to be reduced when cooking meats and poultry. When roasting meats, check internal temperature prior to time recommended by recipe to prevent over cooking.

High Altitude Baking

When baking at high altitudes, in either Bake or Convection Bake, recipes and baking times vary. For accurate information, write the Extension Service, Colorado State University, Fort Collins, Colorado 80521. There may be a cost for the bulletins. Specify the type of information you want (example: cakes, cookies, breads, etc.).

Condensation

It is normal for a certain amount of moisture to evaporate from the food during any cooking process. The amount depends on the moisture content of the food. The moisture will condense on any surface cooler than the inside of the oven, such as the control panel.

Convection Bake Rack Positions

See *Figure 20* on page 26 for rack positions.

One Rack Convection Baking

Level	CONVEC BAKE Mode
#3	-- When baking on one rack, best results are obtained in the BAKE mode (see "One Rack Baking").
#2	-- Roasting a turkey or a large piece of meat

Two Rack Convection Baking

Levels	CONVEC BAKE Mode
#2 & #4	-- Use for cakes, cookies, biscuits, and other baked goods. Cake pans should be staggered. Cookie sheets should be placed on rack #2 directly under the one on rack #4. -- To bake several casseroles, frozen pies, or cakes. -- These two racks can also be used for a large oven meal.

Three Rack Convection Baking

Levels	CONVEC BAKE Mode
#1, #3, & #5	-- When several sheets of cookies are to be baked. Place the baking sheets directly above each other on the respective racks to allow air to flow around the baking sheets.

Bakeware Type

- Aluminum bakeware gives the best browning results.
- Cookie sheets with only one or two sides give the best results. Aluminum commercial half-sheets or professional cooking utensils may be used but baking times may be increased.

Pan Placement

- For better browning, utensils such as cookie sheets, jelly roll pans and rectangular baking pans should be placed crosswise on the rack with the shorter sides on the right and the left. This allows the air to circulate freely.
- When baking on more than one rack, cookie sheets should not be staggered; round cake pans should be staggered.

Dehydrating Foods with Convection Bake

Use the Convection Bake to dry and preserve fruits and vegetables.

Tips:

- Drying times vary depending on the moisture and sugar content of the food, the size of the pieces, the amount being dried and the humidity in the air.
- Dry most fruits and vegetables at 150°F.
- Check food at the minimum drying time.
- It is best to use drying racks (not included) so that air can flow around the food. Do not place food directly on a baking sheet or pan. Food needs to be elevated to ensure even drying.
- Multiple drying racks can be used simultaneously.
- Racks #2 and #4 or #1, #3 and #5 can be used for multiple rack dehydrating. Use rack #3 if only dehydrating one rack.
- Dehydrating meat is not recommended due to food safety concerns.
- Consult a food preservation book, county Cooperative Extension Office or library for additional information.

FOOD ITEM	PREPARATION	APPROX. DRYING TIME (HRS)	TEST FOR DONENESS
FRUIT			
Apples	Dipped in ¼ cup lemon juice and 2 cups water, ¼" slices.	8 – 15	Slightly pliable
Bananas	Dipped in ¼ cup lemon juice and 2 cups water, ¼" slices.	8 – 15	Slightly pliable
Cherries	Wash and towel dry. For fresh cherries, remove pits.	7 – 18	Pliable leathery, chewy
Orange peels	Orange part of skin thinly peeled from oranges.	1 – 4	Dry and brittle
Orange slices	¼" slices of orange.	9 – 16	Skins are dry and brittle, fruit is slightly moist
Pineapple rings, canned	Towel dried.	8 – 13	Soft and pliable
Pineapple rings, fresh	Towel dried.	7 – 12	Soft and pliable
Strawberries	Wash and towel dry. Sliced ½" thick, skin down on rack.	9 – 17	Dry and brittle
VEGETABLES			
Peppers	Wash and towel dry. Remove membrane of peppers, 1" coarsely chopped pieces.	13 – 17	Leathery with no moisture inside
Mushrooms	Wash and towel dry. Cut thin slices, ⅛" thick.	5 – 12	Tough and leathery, dry
Tomatoes	Wash and towel dry. Cut thin slices, ⅛" thick, drain well.	5 – 12	Dry, brick red color

Convection Baking Recommendations

FOOD	TEMPERATURE SETTING
Cookies	375°F (190°C)
Layer Cakes	350°F (180°C)
Sheet Cakes	350°F (180°C)
Bundt™ Cakes	325°F (165°C)
Brownies or Bar Cookies	325°F (165°C)
Biscuits	425°F (220°C) or Package Direction
Quick Bread	350°F (180°C)
Muffins	425°F (220°C)
Fruit Pies	425°F (220°C)
Fruit Cobblers	400°F (205°C)
Yeast Bread, Loaves	350°F (180°C)
Dinner Rolls	375°F (190°C)
Cinnamon Rolls	375°F (190°C)
Yeast Coffee Cake	375°F (190°C)

Keep Warm

The WARM mode will keep hot, cooked foods at serving temperature. **ALWAYS** start with hot food. **DO NOT** use this mode to heat cold food other than for crisping crackers, chips and dry cereal. Serving dishes, plates and cups may be kept warm with this mode. **DO NOT** use the WARM mode to cook food.

- Select WARM using the Mode Selector Knob. **DO NOT** turn on Oven Temperature Control Knob.
 - Food may be kept hot in its cooking container or transferred to a heat-safe serving dish.
 - Aluminum foil may be used to cover food. Use only heat-safe dishes.
- When keeping cooked food warm, allow time for the oven to preheat before placing the item in the oven.
 - Warm mode temperatures range from 140°–150°F/ 60°–66°C.
 - Food should be at serving temperature (above 140°F / 60°C) before being placed in the oven.
- Place warmed dish in the oven. Close the door.
 - Do not open the oven door unnecessarily. Opening the door will reduce the temperature of the oven.

⚠ CAUTION

Plastic containers or plastic wrap can melt if in direct contact with the oven walls or oven bottom.

⚠ WARNING

Food Safety Concern Food Poisoning Possible — DO NOT use the Warming Mode for cooking food. The warming mode is not hot enough to cook foods at safe temperatures.

Proof

The proof function maintains the warm, non-drafty environment needed for proofing yeast leavened products. The proofing temperature is preset at 100°F/ 38°C.

It is best to start with a cool oven when using the proofing function.

To Set the Oven for Proofing

- Allow dough to thaw if frozen.
- Place dough in dish and loosely cover.
- Use any rack level that accommodates the size of the bowl or pan. Close the door.
- Select PROOF using Mode Selector Knob. **DO NOT** turn on Oven Temperature Control Knob.

SIZE	TIME
Loaf, 1 lb (0.45 kg)	60 – 75 minutes
Rolls, 0.1 lb (0.05 kg)	30 – 45 minutes

The ideal temperature for proofing will be maintained until the Selector Knob is turned off.

Dough has “proofed” when it has doubled in size.

Do not open the oven door unnecessarily. Opening the door will lower the temperature of the air in the oven and lengthen the proofing time. Use the oven light to check the rising of the dough.

Proofing time may be decreased when using the large oven at the same time you are proofing. Check bread product early to avoid over-proofing. If you are using the large oven for extended periods of time we recommend, for optimum results, that you complete the proofing before using the large oven.

Other Uses Of Bake

Slow Cooking And Low Temperature Uses Of The Oven

In addition to providing perfect temperatures for baking and roasting, the oven can be used at low temperatures to keep hot, cooked foods at serving temperature and to warm plates.

For best results, preheat the oven to the desired temperature.

Foods that need to be kept moist should be covered with a lid or aluminum foil.

Hot cooked foods can be kept at serving temperatures. Set the oven to bake and use the temperature suggested on the chart.

Suggested Temperature Recommendations to Keep Food Hot

FOOD	OVEN TEMPERATURE
Beef	150°F (70°C)
Bacon	225°F (110°C)
Biscuits and Muffins (covered)	200°F (90°C)
Casserole (covered)	200°F (90°C)
Fish and Seafood	200°F (90°C)
Deep Fried Foods	225°F (110°C)
Gravy or Cream Sauces (covered)	175°F (80°C)
Lamb and Veal Roasts	200°F (90°C)
Pancakes and Waffles (covered)	225°F (110°C)
Potatoes, Baked	200°F (90°C)
Potatoes, Mashed (covered)	175°F (80°C)
Pies and Pastries	175°F (80°C)
Pizza (covered)	225°F (110°C)
Pork	200°F (90°C)
Poultry (covered)	200°F (90°C)
Vegetables (covered)	175°F (80°C)
Warm Plates	150°F (70°C)

Broil and Convection Broil

Tips for Broil

Preheating the Broiler

It is recommended that you preheat the broil element before starting to cook. Preheat for 3 minutes then place food in oven.

Getting the Best Results

- Defrost food before broiling.
- Door is to be closed during broiling.
- Steaks should be more than 1" (25.4 mm) thick if rare meat is desired. Use convection broil if steaks are over 1½" (38 mm) thick.
- Turn foods over only once, after half the total cooking time. It is not necessary to turn very thin foods (ham slices, fillets of fish, etc.). Liver slices must be turned over regardless of thickness.
- Center foods directly under the broiling element for best browning.

Broil Rack Positions

Before turning on the oven, place the rack in the desired position. After preheating the broiler, center the broil pan under the broil element.

Dual Fuel Main Oven

Level	Dual Fuel BROIL Mode
#5	-- Broiling beef steaks, ground meat patties, ham steak and lamb chops 1" (25.4 mm) or less in thickness. Also use when top browning foods.
#4	-- Broiling meat 1⅛" (29 mm) or more in thickness or fish, poultry, pork chops and ham steaks 1" (25.4 mm) or more in thickness.
#3	-- Broiling chicken quarters or halves.

Gas Main Oven

Level	Gas BROIL Mode
#4	-- Broiling beef steaks, ground meat patties, ham steak and lamb chops 1" (25.4 mm) or less in thickness. Also use when top browning foods.
#3	-- Broiling meat 1⅛" (29 mm) or more in thickness or fish, poultry, pork chops and ham steaks 1" (25.4 mm) or more in thickness. Use this rack when broiling chicken quarters or halves.

Secondary Oven (48" models only)

Levels	Secondary BROIL Mode
#1, #3, or #5 – Dual Fuel #1, #3, or #4 – Gas	-- Depending upon the type and thickness of the food.
#5 – Dual Fuel #4 – Gas	-- Top browning of foods.

Utensils

- The porcelain enamel two-piece broil pan and grid is included with the range. **DO NOT** cover the slotted grid (top) with aluminum foil.
- Use metal or glass-ceramic bakeware when top browning casseroles, main dishes, or bread.
- DO NOT** use heat-proof glass or pottery. This type of glassware cannot withstand the intense heat of the broil element.
- The small porcelain broiler pan is designed to be used in the Secondary Oven of 48" models.

For rare steaks, cook the first side to 90°F (32°C). For medium or well done steaks, cook the first side to 100°F (38°C). Turn and cook the second side to desired internal temperature.

NOTE: It is not possible to use the BAKE mode and BROIL mode simultaneously. When one mode is on, the other mode cannot be turned on.

Setting Broil or Convection Broil

Only the upper element heats in the BROIL mode. Successful broiling requires constant exposure to high, intense heat.

- Place oven rack in desired position.
- Set Mode Selector Knob to **BROIL** or **CONVEC BROIL**.
- Set Temperature Selector Knob to **BROIL** setting.
 - The temperature gauge will move to BROIL after five minutes.
- Place food in oven at desired rack position.
- The door should be closed throughout the broil cycle.**
 - Your THERMADOR PROFESSIONAL® range comes with a large two-piece broiler pan. The slotted grid allows drippings to flow into the lower pan, away from the intense heat of the broil element, minimizing spattering, smoking, and the chance of a grease fire.
 - The 48" Models have a small porcelain broiler pan, for use in the Secondary Oven.

Automatic operation of the cooling blowers

The cooling blowers activate after the oven reaches 300°F (149°C). When the oven is turned off, the blowers remain on until the oven temperature cools below 250°F (121°C).

DO NOT continue to use the broiler if the cooling blower fails to activate while broiling. Call a qualified service agency to repair the range.

Broiling and Roasting Recommendations

All meats are placed on the broiler pan included with the range.

FOOD ITEM	RACK NUMBER	OVEN MODE
BEEF		
Ground Beef Patties, ½" (12.7 mm) thick	5 - Dual Fuel 4 - Gas	BROIL or CONVEC BROIL*
T-Bone Steak	4	BROIL or CONVEC BROIL*
Flank Steak	4	BROIL or CONVEC BROIL*
Rib Roast	3	ROAST or CONVEC ROAST*
BREADS		
Toast, Garlic Bread, etc.	5 - Dual Fuel 4 - Gas	BROIL
POULTRY		
Boneless, Skinless Chicken Breasts	4	BROIL or CONVEC BROIL*
Chicken Thighs	3	BROIL or CONVEC BROIL*
Half Chickens	3	BROIL or CONVEC BROIL*
Roast Chicken	2	ROAST or CONVEC ROAST*
Turkey	2	ROAST or CONVEC ROAST*

* Dual Fuel models only

Care and Maintenance

Self-Cleaning the Oven

WARNING

- Children should not be left alone or unattended in an area where appliances are in use.
- During the Self-Clean cycle, exterior surfaces may become hotter than usual. Parts of the appliance may become potentially harmful to children, and to persons who lack adult knowledge of appliances and lack adult reactions to potentially harmful conditions. Keep these individuals away during self-clean and while the appliance is in use.
- The elimination of soil during self-cleaning may facilitate the emission of small amounts of chemicals or other substances that may be harmful upon sufficient exposure. To minimize exposure to these substances, provide good ventilation with an open window, or use a ventilation fan or hood.
- Keep pet birds out of the kitchen or other rooms where kitchen fumes could reach them. During self-clean, fumes are released that may be harmful to birds.

Brand Names

The use of brand names is intended only to indicate a type of cleaner. This does not constitute an endorsement. The omission of any brand name cleaner does not imply its adequacy or inadequacy. Many products are regional in distribution and can be found in local markets. It is imperative that all cleaning products be used in strict accordance with the instructions on its package.

About Self-Clean

The self-cleaning mode of your new range features pyrolytic self-cleaning. When set to the CLEAN mode, the oven reaches a high temperature, approximately 850°F (454°C), that burns off the food soil.

When the oven is set for CLEAN, the standard cooktop burners and the electric griddle and grill may be used. The outer burners, having the ExtraLow[®] feature, cannot be used.

It is common to see smoke and/or flames during the **clean cycle**, depending on the content and amount of soil remaining in the oven. If a flame persists, turn off the oven and allow it to cool before opening the door to wipe up the excessive food soil.

At the end of the CLEAN cycle, some gray ash or burned residue may remain inside the oven. This is a mineral deposit that does not burn or melt. The amount of ash depends on how heavily soiled the oven was before it was cleaned. When the oven is cold, it is easily removed using a damp paper towel, sponge, or cloth.

Wipe off any smoke residue that remains on the front frame with Fantastik[®] or Bar Keeper's Friend[®] cleaners. If stain remains, use a mild liquid cleanser. The amount of smoke stain is directly related to the amount of food soil left in the oven at the time of self-cleaning. Clean the oven often.

Before Self-Cleaning the Oven

To reduce flare ups and excess smoke wipe out puddles of grease and any loose soil that can be easily removed. Remove any soil that is outside the door seal area. This appliance is designed to clean the oven interior and the portion of the door that is inside the oven. The outer edges of the door and the frame surrounding the front of the oven are not in the cleaning zone. Wipe this area clean.

BEFORE SETTING THE OVEN TO SELF-CLEAN

- Remove all utensils.
- Remove racks.
- Clean the oven front frame and outer door edges. Wipe up large spillovers and grease.
- Be sure the light bulbs and glass covers are in place.
- Turn on the ventilator hood above the range and leave it on until the oven has completed the self-clean cycle.

IMPORTANT:

For the first Self-Cleaning cycle of your new range, remove small animals and birds from the kitchen and surrounding areas. Open a nearby window for additional ventilation.

Lock

When the CLEAN cycle starts, the automatic door lock cycle begins. The temperature gauge begins to move to CLEAN five minutes after the clean mode is initiated. Check the door to confirm that it is locked. You can stop the clean cycle by selecting the OFF position.

Make certain that the oven door is locked at the beginning of the cleaning cycle.

To Set Self-Clean Oven

1. **Remove oven racks.**
2. Ensure oven door is shut.
3. Select SELF CLEAN using the Mode Selector Ring.
4. Set Temperature Selector Knob to CLEAN.
 - Oven latch moves to secure the door.
 - Cooling Blower turns on.
 - The temperature gauge moves to CLEAN after five minutes.
 - Display screen will indicate time remaining.

NOTE: The door closing process takes approximately 20 seconds to complete, at which time the door becomes locked. Check to make certain the door is locked.

At the End of the Clean Cycle

The Clean cycle takes 2 hours to complete. Do not turn either of the oven control knobs to the OFF position until the automatic lock cycles to the open position.

1. Select OFF using the Mode Selector Knob.
 - The door latch will open automatically when the oven is below 500°F (200°C) and the automatic Door Lock completes its 20 second cycle to the open position.
 - The cooling blower turns off when the oven temperature drops to 375°F (191°C).
2. Turn Oven Control Knob to OFF position.

Prevention of Successive Self-Clean Cycles

The ovens are programmed to prevent initiation of a second Self-Clean cycle for a period of 24 hours. All of the other functions are available immediately after completion of Self-Clean.

CAUTION

The interior of the oven will still be at baking temperatures when the automatic lock cycles to its open position and the oven door can be opened.

Cleaning Tips

1. The porcelain enamel finish is acid resistant, but not acid proof. Acidic foods, such as citrus juices, tomatoes, rhubarb, vinegar, alcohol or milk, should be wiped up and not allowed to bake onto the porcelain during the next use.
2. **Remove the oven racks.** See Racks, on Range Cleaning Recommendations.
3. The heating elements in the oven do not require cleaning. The elements burn themselves clean when the oven is in use. Both elements are permanently connected. It is not necessary to clean the broiler shield above the broil element.

Range Cleaning

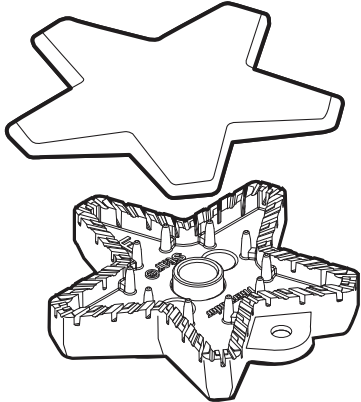
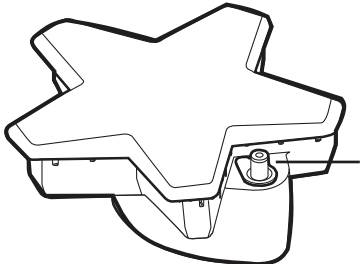
When Cleaning This Range:

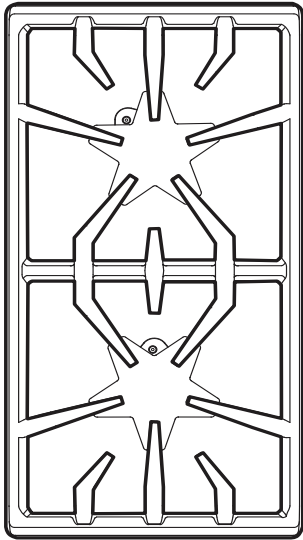
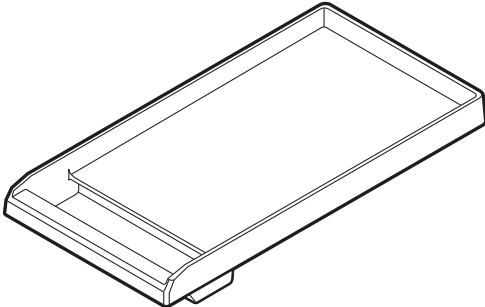
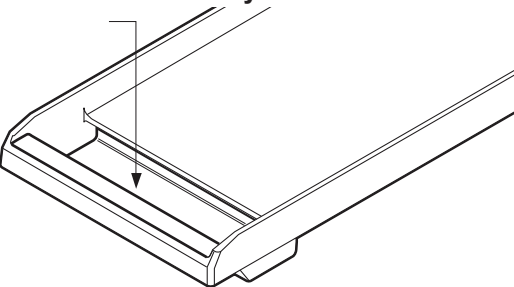
1. Use the mildest cleaning procedure that will do the job efficiently and effectively. Some cleaners of the same type are harsher than others. Try on a small inconspicuous area first.
2. Always rub metal finishes in the direction of the polish lines for maximum effectiveness and to avoid marring the surface.
3. Use only clean soft cloths, sponges, paper towels, fibrous brushes, plastic, non-metal or steel wool soap pads for cleaning and scouring, as recommended on the chart.
4. Most exterior parts of this appliance can be cleaned with hot sudsy water (except the various items specifically identified otherwise). When rinsing is required, rinse thoroughly.
5. Always wipe dry immediately to avoid water marks.
6. **DO NOT USE CHLORINE BASED CLEANERS.**

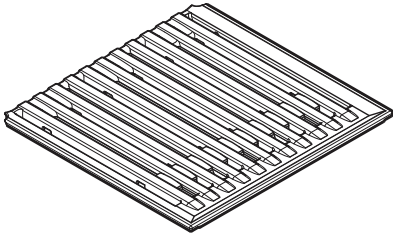
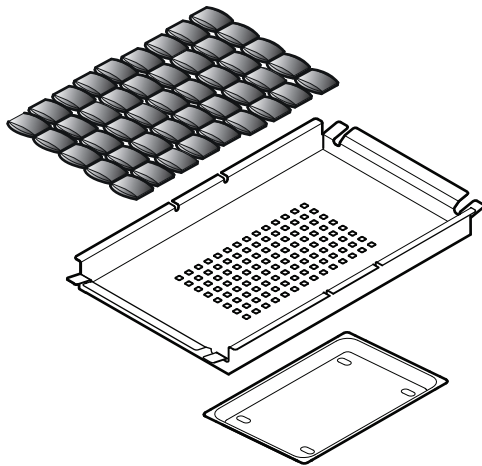
CAUTION

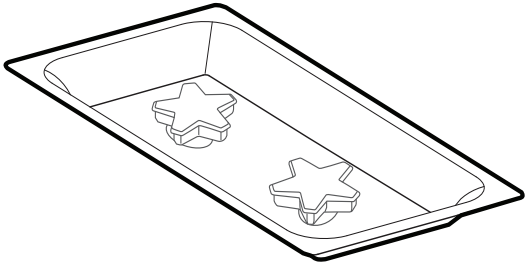
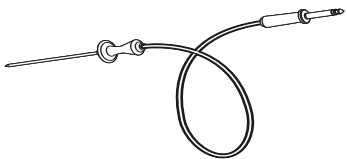
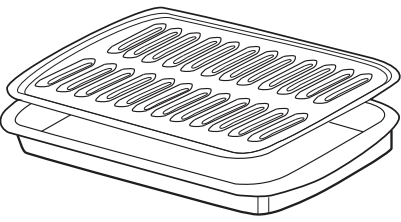
Avoid cleaning any part of the range while it is hot.

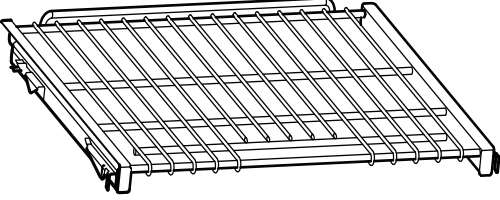
Cleaning Recommendations

PART/MATERIAL	CLEANING NOTES
<p>Brass Burner Base and Cast Iron Cap</p> 	<ul style="list-style-type: none"> • A stiff nylon bristle tooth brush can be used to clean port openings. • After cleaning, make sure that the STAR[®] burner cap is correctly seated on the STAR burner base. • DO NOT scratch or gouge the port openings of burner cap. • Suggested cleaners; rinse and dry immediately: <ul style="list-style-type: none"> -- Hot water and detergent -- Bon-ami[®] -- Cameo[®] Aluminum and Stainless Steel Cleaner -- Wright's[®] All Purpose Brass Polish -- Kleen King[®]
<p>Igniters Ceramic</p> 	<ul style="list-style-type: none"> • DO NOT use sharp tools to scrape the igniters. The igniters are fragile. If an igniter is damaged, it may not light the burner. • Suggested cleaners: <ul style="list-style-type: none"> -- Cotton swab dampened with soapy water -- Fantastik[®]
<p>Control Knobs/ Metal Bezels/ Chrome</p>	<ul style="list-style-type: none"> • DO NOT soak knobs. • DO NOT force knobs onto wrong valve shaft. • Suggested cleaners; rinse and dry immediately: <ul style="list-style-type: none"> -- Hot water and detergent
<p>Exterior Finish/Backguard Stainless Steel</p>	<ul style="list-style-type: none"> • Stainless steel resists most food stains and pit marks providing the surface is kept clean and protected. Never allow food stains or salt to remain on stainless steel for any length of time. • Rub lightly in the direction of polish lines. • Chlorine or chlorine compounds in some cleaners are corrosive to stainless steel. Check ingredients on label. • Suggested cleaners; rinse and dry immediately: <ul style="list-style-type: none"> -- Hot water and detergent -- Fantastik[®] -- Siege[®] Stainless Steel and Aluminum Cleaner -- Kleen King[®] Stainless Steel Liquid Cleaner -- THERMADOR Stainless Steel Conditioner (00576697) to protect the finish from staining and pitting; enhances appearance. -- For hard water spots use household vinegar. • For heat discoloration; rinse and dry immediately: <ul style="list-style-type: none"> -- Cameo[®] -- Barkeepers Friend[®] -- Zud[®] -- Wright's[®] All Purpose Brass Polish

PART/MATERIAL	CLEANING NOTES
<p>Grates Porcelain Enamel on Cast Iron</p> 	<ul style="list-style-type: none"> • The grates are heavy; use care when lifting. Place on a protected surface. DO NOT clean grates in a self-cleaning oven. • The rough texture of the grate can sometimes remove aluminum deposits from the bottom of pans and fill in areas between the high spots on the surface of the grate. Use special care when cooking with copper and aluminum pots and pans as this type of cookware can sometimes leave metal deposits on the grates. • Blisters/ crazing/ chips are common due to the extreme temperatures on grate fingers and rapid temperature changes. • Acidic and sugar-laden spills deteriorate the enamel. Remove soil immediately. • Abrasive cleaners, used too vigorously or too often can eventually mar the enamel. • Suggested cleaners; rinse and dry immediately: <ul style="list-style-type: none"> -- Hot water and detergent -- Fantastik® -- Bon-ami® -- Soft Scrub® • Stubborn stains; rinse and dry immediately: <ul style="list-style-type: none"> -- Soap-filled steel wool pad -- Lestoil® -- Other degreaser • Metal deposits: <ul style="list-style-type: none"> -- Scotch Brite™ scrub sponge -- Course steel wool pad
<p>Griddle Aluminum with non-stick coating</p> 	<ul style="list-style-type: none"> • NEVER flood a hot griddle with cold water. This can warp or crack the aluminum plate. • DO NOT clean any part of the griddle in a self-cleaning oven. • Wipe griddle surface with warm soapy water then rinse with warm water. Wipe dry with a soft cloth. • If food particles stick to the griddle plate, remove with a mild abrasive cleaner such as Soft Scrub®. • Suggested cleaners; rinse and dry immediately: <ul style="list-style-type: none"> -- Hot water and detergent -- Dishwasher safe -- Soft Scrub®
<p>Griddle Grease Tray</p> 	<ul style="list-style-type: none"> • Remove tray after grease has cooled. Be careful not to fill it so full that tipping to remove it spills the grease. Discard grease into a grease resistant container for disposal. • Clean the grease tray after each use. • Suggested cleaners; rinse and dry immediately: <ul style="list-style-type: none"> -- Hot water and detergent -- Dishwasher safe -- Soft Scrub®

PART/MATERIAL	CLEANING NOTES
<p>Grill Grates Porcelain Enamel on Cast Iron</p> 	<ul style="list-style-type: none"> • Clean the grates after each use. • Place the grill grate into a sink and pour boiling hot water over the grate. Lay a dish towel on top of the grate and pour more hot water over the towel. Allow the water to soak into the residue. Scrape away debris with a soap-filled scouring pad. • Stubborn soil: Soft Scrub[®]. • Suggested cleaners; rinse and dry immediately: <ul style="list-style-type: none"> -- Hot water and detergent -- Dishwasher safe -- Soft Scrub[®] -- Soft brass wire brush for stubborn residues. Hard steel wire brushes could scratch the porcelain grate coating and cause premature oxidation of the grate. • Stubborn stains; rinse and dry immediately: <ul style="list-style-type: none"> -- Soap-filled steel wool pad -- Lestoil[®] -- Other degreaser
<p>Ceramic Briquettes, Briquette Basket, and Grill Drip Tray</p> 	<ul style="list-style-type: none"> • Suggested cleaning for ceramic briquettes; <ol style="list-style-type: none"> 1) Gently place grease-saturated ceramic briquettes in a 6 quart or larger pot. 2) Fill the pot with clean water so that all ceramic briquettes are covered at least 1/2" deep. 3) Bring the water to a steady boil. Once reaching a steady boil, continue to boil for 10 minutes. 4) Remove heat and allow ceramic briquettes to cool to a safe temperature. 5) Pour water off of ceramic briquettes and pat them dry on old towels or paper towels. 6) Allow ceramic briquettes to air dry for at least two hours. Some visible grease stains may remain on briquettes after cleaning. 7) Reassemble clean, dry briquettes back into the grill before using the grill again. • New ceramic briquettes can be purchased from the THERMADOR eShop (order number <i>PABRICKBKN</i>). See the back cover for support information. • ⚠ Caution: Ceramic briquettes must be replaced when they begin to turn black. This means that they are saturated with fat and may smoke heavily during operation or the fat may catch fire. • Suggested cleaners for basket and drip tray; rinse and dry immediately: <ul style="list-style-type: none"> -- Hot water and detergent -- Dishwasher safe

PART/MATERIAL	CLEANING NOTES
<p>Surface Spill Trays Porcelain Enamel (gloss finish)</p> 	<ul style="list-style-type: none"> • If mild abrasive cleaners are used, rub lightly as these cleansers may scratch the finish. • For burned on foods, soap filled fiber or steel wool pads may be used but care must be taken as these may scratch the finish. • Suggested cleaners; rinse and dry immediately: <ul style="list-style-type: none"> -- Hot water and detergent -- Soft Scrub® -- Bar Keeper's Friend® -- Bon-ami® -- Comet® -- Ajax® • Stubborn stains; rinse and dry immediately: <ul style="list-style-type: none"> -- Soap-filled fiber or steel wool pad
<p>Meat Probe</p> 	<ul style="list-style-type: none"> • DO NOT wash probe in the dishwasher. • Suggested cleaners; rinse and dry immediately: <ul style="list-style-type: none"> -- Hot water and detergent
<p>Oven Cavity Porcelain Enamel on Steel</p>	<ul style="list-style-type: none"> • Porcelain enamel is acid resistant, but not acid proof. Acid foods such as citrus juices, tomatoes, rhubarb, vinegar, alcohol or milk, should be wiped up and not allowed to bake onto the porcelain during the next use. Over a period of time, the porcelain may craze (get fine hairlike lines), this will not affect oven performance. • Apply cleaner to a damp sponge or cloth. Rub lightly. Rinse thoroughly and dry. If food has burned onto the oven and is difficult to remove, the spots can be soaked with a cloth saturated in a suggested cleaner. Close the door and allow it to soak until the food soil can be easily removed with a damp soapy cloth or mild abrasive. • Suggested cleaners; rinse and dry immediately: <ul style="list-style-type: none"> -- Hot water and detergent -- Vinegar and water -- Soft Scrub® -- Bon-ami® -- Comet®
<p>Door(s) Door Handle and Stainless Steel</p>	<ul style="list-style-type: none"> • Use care to keep cleaners and water away from the door vents. If water or cleaners spill into the vents, water may streak the glass inside.
<p>Seal Door Gasket</p>	<ul style="list-style-type: none"> • Spray on cleaner and blot dry with a cloth. DO NOT rub. Do not move, remove or damage mesh. • Suggested cleaners; rinse and dry immediately: <ul style="list-style-type: none"> -- Hot water and detergent -- Fantastik®
<p>Broil Pan Grid/Bottom Porcelain Enamel</p> 	<ul style="list-style-type: none"> • To loosen cooked on food, squirt with liquid detergent and cover with wet paper towels. Allow to stand. • Suggested cleaners; rinse and dry immediately: <ul style="list-style-type: none"> -- Hot water and detergent -- Vinegar and water -- Dishwasher safe -- Soft Scrub® -- Bon-ami® -- Comet® -- Soap-filled fiber or steel wool pads

PART/MATERIAL	CLEANING NOTES
<p data-bbox="100 153 477 184">Oven Racks and Rack Guides</p> <p data-bbox="149 195 305 222">Nickel Plated</p> 	<ul style="list-style-type: none"> <li data-bbox="630 153 1500 247">• Some commercial oven cleaners cause darkening and discoloration. Test the cleaner on a small part of the rack and check for discoloration before cleaning the entire rack. <li data-bbox="630 258 1318 289">• Oven racks will discolor if left in oven during self clean. <li data-bbox="630 300 1500 394">• If the racks do not slide easily after being cleaned, dampen a paper towel with a small amount of cooking oil and rub it lightly over the side rails. <li data-bbox="630 405 1253 741">• Suggested cleaners; rinse and dry immediately: <ul style="list-style-type: none"> <li data-bbox="678 443 1010 474">-- Hot water and detergent <li data-bbox="678 474 938 506">-- Vinegar and water <li data-bbox="678 506 919 537">-- Dishwasher safe <li data-bbox="678 537 863 569">-- Soft Scrub® <li data-bbox="678 569 841 600">-- Bon-ami® <li data-bbox="678 600 818 632">-- Comet® <li data-bbox="630 642 1205 741">• Stubborn stains; rinse and dry immediately: <ul style="list-style-type: none"> <li data-bbox="678 680 1117 711">-- Soap-filled fiber or steel wool pad <li data-bbox="678 711 1013 743">-- Easy Off® Oven Cleaner

Do-It-Yourself Maintenance

Oven Light Bulb Replacement

⚠ CAUTION

- Make sure the appliance and lights are cool and power to the appliance has been turned off before replacing the light bulb(s). Failure to do so could result in electrical shock or burns.
- The covers must be in place when using the appliance.
- The covers serve to protect the light bulb from breaking.
- The covers are made of glass. Handle carefully to avoid breaking. Broken glass could cause an injury.
- The light socket is live when the door is open.

Replace only with a recommended light bulb designed for appliance oven use. **DO NOT** use a standard household light bulb in any oven. Call THERMADOR Customer Care Center at 1-800-735-4328 or your nearest THERMADOR dealer to determine the proper replacement bulb for your range. You will need to know your range's model number and serial number.

To Replace the Light Bulb

Use only 10 Watt, 12 Volt bi-pin halogen light bulbs. Use a clean, dry cloth to handle halogen light bulbs. This will increase the life of the bulb.

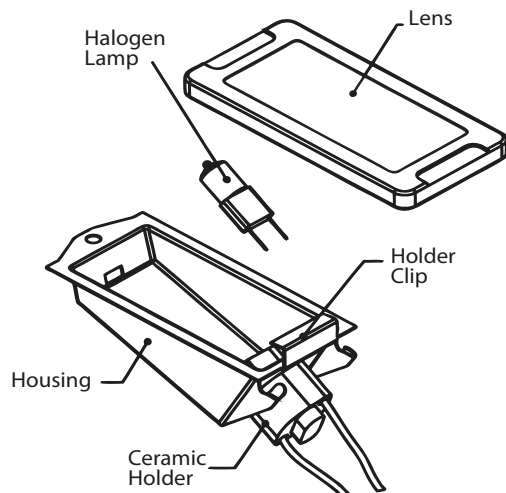


Figure 26: Oven Lamp Assembly

1. Turn off circuit breaker.
2. Remove oven racks.
3. Slide the tip of a flat blade screw driver between the holder clip and the lamp housing (*Figure 27, A*).

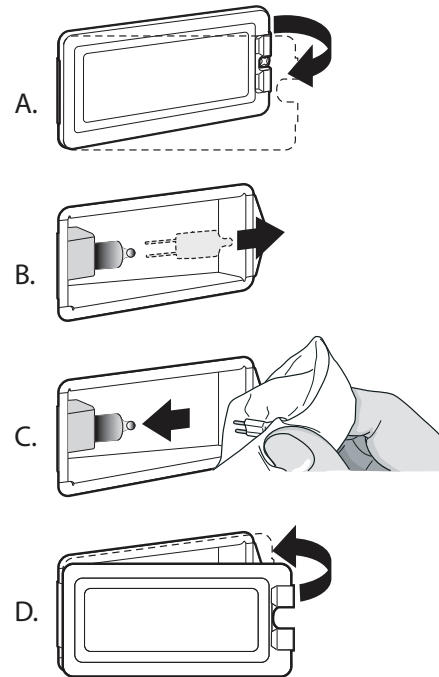


Figure 27: Bulb Replacement

4. Support the glass lens cover with fingers along the bottom edge to prevent the cover from falling to the bottom of the oven. Gently twist the flat blade screw driver to loosen the glass lens cover.
5. Remove the glass lens cover and fixing clip.
6. Remove the bulb by grasping and sliding the bulb straight back until the two prongs have cleared the ceramic holder (*Figure 27, B*).
7. Do not touch the glass of the new replacement bulb with your fingers. It may cause the bulb to fail when it first lights. Grasp the replacement bulb with a clean dry cloth. Locate the two prongs in the ceramic holder, gently poking until the two prongs locate in the ceramic socket.
8. Press down to seat the bulb (*Figure 27, C*).
9. Slide the protective lens into the holder clip and push the other end until the fixing clip snaps back into the housing (*Figure 27, D*).
10. Turn on circuit breaker.

Before Calling For Service

Before calling for service, check the following to avoid unnecessary service charges.

Be sure to check these items first:

- Is there a power outage in the area?
- Is the circuit breaker tripped?
- Is the range disconnected from the electrical supply?

If the burners do not ignite:

- Are the burner caps properly aligned and seated in the burner bases?
- Are the burner ports clogged?
- Is the circuit breaker tripped?
- Is the manual shut-off valve closed, preventing the flow of gas?

Data Rating Label

The data rating label shows the model and serial number of your range. It is located in the gap created by the right side of the oven cavity and the range side panel.

The electric wiring diagrams and schematics are attached behind the door trim, and should not be removed except by a service technician, then replaced after service.

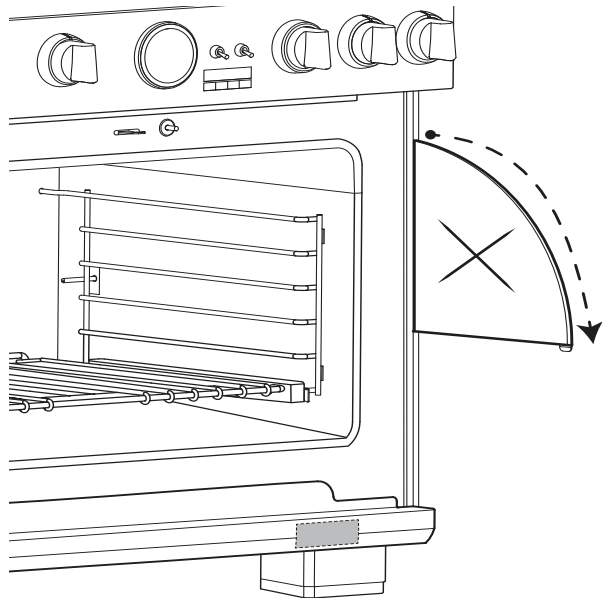


Figure 28: Rating Label and Wiring Diagram Location

⚠ CAUTION

Before removing the toe kick panel, disconnect the range from the electrical power supply. Reinstall the toe kick panel before reconnecting the range to the power supply and operating the range.

Service Information

For handy reference, copy the information below from the data rating plate on the frame, behind the oven door (see *Figure 28*). Keep your invoice for Warranty validation.

Model Number _____

Serial Number _____

Date of Purchase _____

Also, enter this information on the Product Registration Form included with this product.

Register your BSH product to ensure timely service and access to your product related information. You may register your product through one of the following ways:

1. Mail in the completed THERMADOR product registration card.
2. Register your product online at www.thermador.com.
3. Call us at THERMADOR customer service at 1-800-735-4328.

Troubleshooting

SYMPTOM	POSSIBLE CAUSE	REMEDY
Intermittent igniter sparking	<ul style="list-style-type: none"> Ceramic igniter is wet or dirty. Burner ports are clogged. 	<ul style="list-style-type: none"> Carefully dry or clean igniter. Clean ports on burner cap with a wire, a needle or straightened paper clip.
More than four clicks of igniter before lighting	<ul style="list-style-type: none"> Improper fit of burner cap onto burner base. 	<ul style="list-style-type: none"> Align burner cap properly on burner base.
Constant igniter sparking	<ul style="list-style-type: none"> Range is not properly grounded. Electrical power supply is incorrectly polarized. 	<ul style="list-style-type: none"> Refer to the <i>Installation Manual</i>. Have a qualified electrician ground the range properly.
Igniters sparking but no flame ignition.	<ul style="list-style-type: none"> Gas supply valve is in "OFF" position. 	<ul style="list-style-type: none"> Restore gas supply to the unit.
Range will not operate (lights, oven, and surface burners will not come on)	<ul style="list-style-type: none"> No power to the unit. Oven is in Sabbath Mode. 	<ul style="list-style-type: none"> Check for open circuit breaker. Check that power supply line connection is connected to the proper voltage. Verify that the oven is not in Sabbath Mode. See the Using the Oven section of the <i>Use and Care Guide</i>.
Oven operates on bake but fails to operate on timed bake	<ul style="list-style-type: none"> Timer improperly set. 	<ul style="list-style-type: none"> Set timer as outlined in the <i>Use and Care Guide</i>.
ERROR COMM message	<ul style="list-style-type: none"> To ensure customer safety in the event of power failure, the unit will display an error message upon reinstatement of power unless all oven knobs are set to OFF. 	<ul style="list-style-type: none"> Set all oven knobs to OFF and reset the breaker to clear the message.
Oven light fails to come on.	<ul style="list-style-type: none"> Oven light burned out. 	<ul style="list-style-type: none"> Replace the oven light as outlined in the <i>Use and Care Guide</i>.
Door will not open.	<ul style="list-style-type: none"> Oven is still in self-clean mode. 	<ul style="list-style-type: none"> If oven is hot, door latch will release when safe temperature is reached.
Foods in oven are not cooking sufficiently.	<ul style="list-style-type: none"> Rack position is incorrect. Improper cookware. Oven door may not be sealing properly. Appliance not level. 	<ul style="list-style-type: none"> See the Using the Oven section of the <i>Use and Care Guide</i>. Refer to Cookware Recommendations in the <i>Use and Care Guide</i>. Clean the oven door gasket. Replace if worn. Refer to the <i>Installation Manual</i> for instructions on how to level the appliance.
Hot air is coming from the appliance.	<ul style="list-style-type: none"> It is normal for the cooling process to push heated air out into the room when the oven is on. During different modes the fan speed will increase and decrease. 	<ul style="list-style-type: none"> This is normal.

Statement of Limited Product Warranty

What this Warranty Covers & Who it Applies to

The limited warranty provided by BSH Home Appliances Corporation (BSH) in this Statement of Limited Product Warranty applies only to the THERMADOR® appliance sold to you, the first using purchaser, provided that the Product was purchased:

- For your normal, household (non-commercial) use, and has in fact at all times only been used for normal household purposes.
- New at retail (not a display, "as is", or previously returned model), and not for resale, or commercial use.
- Within the United States or Canada, and has at all times remained within the country of original purchase.

The warranties stated herein apply only to the first purchaser of the Product and are not transferable.

Please make sure to return your registration card; while not necessary to effectuate warranty coverage, it is the best way for BSH to notify you in the unlikely event of a safety notice or product recall.

How Long the Warranty Lasts

Product built preceding January 1, 2012 with a number of FD911299999 or lower: BSH warrants that the Product is free from defects in materials and workmanship for a period of three hundred and sixty-five (365) days from the date of purchase. The foregoing timeline begins to run upon the date of purchase, and shall not be stalled, tolled, extended, or suspended, for any reason whatsoever.

Product built subsequent to January 1, 2012 with a number of FD920100000 or higher: BSH warrants that the Product is free from defects in materials and workmanship for a period of seven hundred and thirty (730) days from the date of purchase. The foregoing timeline begins to run upon the date of purchase, and shall not be stalled, tolled, extended, or suspended, for any reason whatsoever.

This Product is also warranted to be free from cosmetic defects in material and workmanship (such as scratches of stainless steel, paint/porcelain blemishes, chips, dents, or other damage) to the finish of the Product, for a period of sixty (60) days from the date of purchase or closing date for new construction. This cosmetic warranty excludes slight color variations due to inherent differences in painted and porcelain parts, as well as differences caused by kitchen lighting, product location, or other similar factors. This

cosmetic warranty specifically excludes any display, floor, "As Is", or "B" stock appliances.

Repair/Replace as Your Exclusive Remedy

During this warranty period, BSH or one of its authorized service providers will repair your Product without charge to you (subject to certain limitations stated herein) if your Product proves to have been manufactured with a defect in materials or workmanship. If reasonable attempts to repair the Product have been made without success, then BSH will replace your Product (upgraded models may be available to you, in the sole discretion of BSH, for an additional charge). All removed parts and components shall become the property of BSH at its sole option. All replaced and/or repaired parts shall assume the identity of the original part for purposes of this warranty and this warranty shall not be extended with respect to such parts. BSH's sole liability and responsibility hereunder is to repair manufacturer-defective Product only, using a BSH-authorized service provider during normal business hours. For safety and property damage concerns, BSH highly recommends that you do not attempt to repair the Product yourself, or use an un-authorized servicer; BSH will have no responsibility or liability for repairs or work performed by a non-authorized servicer. If you choose to have someone other than an authorized service provider work on your Product, THIS WARRANTY WILL AUTOMATICALLY BECOME NULL AND VOID. Authorized service providers are those persons or companies that have been specially trained on BSH products, and who possess, in BSH's opinion, a superior reputation for customer service and technical ability (note that they are independent entities and are not agents, partners, affiliates or representatives of BSH). Notwithstanding the foregoing, BSH will not incur any liability, or have responsibility, for the Product if it is located in a remote area (more than 100 miles from an authorized service provider) or is reasonably inaccessible, hazardous, threatening, or treacherous locale, surroundings, or environment; in any such event, if you request, BSH would still pay for labor and parts and ship the parts to the nearest authorized service provider, but you would still be fully liable and responsible for any travel time or other special charges by the service company, assuming they agree to make the service call.

Out of Warranty Product

BSH is under no obligation, at law or otherwise, to provide you with any concessions, including repairs, pro-rates, or Product replacement, once this warranty has expired.

Warranty Exclusions

The warranty coverage described herein excludes all defects or damage that are not the direct fault of BSH, including without limitation, one or more of the following:

- Use of the Product in anything other than its normal, customary and intended manner (including without limitation, any form of commercial use, use or storage of an indoor product outdoors, use of the Product in conjunction with air or water-going vessels).
- Any party's willful misconduct, negligence, misuse, abuse, accidents, neglect, improper operation, failure to maintain, improper or negligent installation, tampering, failure to follow operating instructions, mishandling, unauthorized service (including self-performed "fixing" or exploration of the appliance's internal workings).
- Adjustment, alteration or modification of any kind.
- A failure to comply with any applicable state, local, city, or county electrical, plumbing and/or building codes, regulations, or laws, including failure to install the product in strict conformity with local fire and building codes and regulations.
- Ordinary wear and tear, spills of food, liquid, grease accumulations, or other substances that accumulate on, in, or around the Product.
- Any external, elemental and/or environmental forces and factors, including without limitation, rain, wind, sand, floods, fires, mud slides, freezing temperatures, excessive moisture or extended exposure to humidity, lightning, power surges, structural failures surrounding the appliance, and acts of God.
- In no event shall BSH have any liability or responsibility whatsoever for damage to surrounding property, including cabinetry, floors, ceilings, and other structures or objects around the Product. Also excluded from this warranty are products on which the serial numbers have been altered, defaced, or removed; service visits to teach you how to use the Product, or visits where there is nothing wrong with the Product; correction of installation problems (you are solely responsible for any structure and setting for the Product, including all electrical, plumbing or other connecting facilities, for proper foundation/flooring, and for any alterations including without limitation cabinetry, walls, floors, shelving, etc.); and resetting of breakers or fuses.

TO THE EXTENT ALLOWED BY LAW, THIS WARRANTY SETS OUT YOUR EXCLUSIVE REMEDIES WITH RESPECT TO PRODUCT, WHETHER THE CLAIM ARISES IN CONTRACT OR TORT (INCLUDING STRICT LIABILITY, OR NEGLIGENCE) OR OTHERWISE. THIS WARRANTY IS IN LIEU OF ALL OTHER WARRANTIES, WHETHER EXPRESS OR IMPLIED. ANY WARRANTY IMPLIED BY LAW, WHETHER FOR MERCHANTABILITY OR FITNESS FOR A PARTICULAR PURPOSE, OR OTHERWISE, SHALL BE EFFECTIVE ONLY FOR THE PERIOD THAT THIS EXPRESS LIMITED WARRANTY IS EFFECTIVE. IN NO EVENT WILL THE MANUFACTURER BE LIABLE FOR CONSEQUENTIAL, SPECIAL, INCIDENTAL, INDIRECT, "BUSINESS LOSS", AND/OR PUNITIVE DAMAGES, LOSSES, OR EXPENSES, INCLUDING WITHOUT LIMITATION TIME AWAY FROM WORK, HOTELS AND/OR RESTAURANT MEALS, REMODELLING EXPENSES IN EXCESS OF DIRECT DAMAGES WHICH ARE DEFINITELY CAUSED EXCLUSIVELY BY BSH, OR OTHERWISE. SOME STATES DO NOT ALLOW THE EXCLUSION OR LIMITATION OF INCIDENTAL OR CONSEQUENTIAL DAMAGES, AND SOME STATES DO NOT ALLOW LIMITATIONS ON HOW LONG AN IMPLIED WARRANTY LASTS, SO THE ABOVE LIMITATIONS MAY NOT APPLY TO YOU. THIS WARRANTY GIVES YOU SPECIFIC LEGAL RIGHTS, AND YOU MAY ALSO HAVE OTHER RIGHTS WHICH VARY FROM STATE TO STATE.

No attempt to alter, modify or amend this warranty shall be effective unless authorized in writing by an officer of BSH.

We reserve the right to make changes in the product or this manual without notification.

Table des matières

Sécurité	49	Mode sabbat	78
Instructions de sécurité importantes	49	Rôtissage	79
Description	56	Recommandations pour le rôtissage	79
Description des tableaux de commande	56	Cuisiner par convection	79
Identification de la cuisinière	57	Séchage d'aliments avec le mode de cuisson à convection	81
Description de l'intérieur des fours	57	Recommandations pour la cuisson par convection	82
Avant de commencer	59	Garder-au-chaud	82
Mise en route	59	Apprêt (48 po)	82
Utilisation de la cuisinière	61	Autres utilisations du four	83
Brûleurs scellés	61	Grilloir/Grilloir par convection	83
Récipients recommandés	65	Recommandations pour le grilloir	84
Récipients pour spécialités	66	Entretien et nettoyage	85
Conseils de cuisson	67	Autonettoyage du four	85
Plaque chauffante électrique (certains modèles)	69	Recommandations pour le nettoyage	87
Conseils de cuisson – plaque chauffante	70	Entretien à faire soi-même	92
Gril électrique (certains modèles)	72	Changement de l'ampoule du four	92
Recommandations pour la cuisson sur le gril	74	Avant d'appeler le service technique	93
Utilisation du four	75	Plaque signalétique	93
Fonctionnement du four	75	Renseignements pour le service technique	93
Commandes pour le réglage du four	76	Dépannage	94
Minuterie	76	Énoncé de garantie limitée du produit	95
Réglage pour cuisson au rôtissage	76	Entretien, Pièces et accessoires	page verso
Sonde thermique	77		
Temps de cuisson interne minimaux	77		
Réglage précis du four	78		

Définitions concernant la sécurité

⚠ AVERTISSEMENT

Ceci indique que le non respect de cet avertissement peut entraîner des blessures graves, voire la mort.

⚠ ATTENTION

Ceci indique que le non respect de cet avertissement peut entraîner des blessures légères ou modérées.

NOTICE : Ceci indique que la non-conformité à cet avis de sécurité peut entraîner des dégâts à l'appareil ou à la propriété.

Note : Ceci vous avertit que d'importantes informations et/ou conseils sont fournis.

Cet appareil électroménager de THERMADOR^{mc}
est fait par BSH Home Appliances Ltd
6696 Financial Drive, Unit 3
Mississauga, ON L5N 7J6

Des questions?
1-800-735-4328
www.thermador.ca

Nous attendons de vos nouvelles!

Sécurité



INSTRUCTIONS DE SÉCURITÉ IMPORTANTES LISEZ ET CONSERVEZ CES INSTRUCTIONS

LISEZ ATTENTIVEMENT CE QUI SUIT

MISE EN GARDE

Pour éviter tout risque de brûlure ou d'incendie, un protecteur arrière spécifiquement conçu pour cette cuisinière doit être installé lorsqu'elle est en usage.

AVERTISSEMENT

Vous ne devriez pas installer cet appareil avec un système de ventilation à aspiration descendante. Ce type de système de ventilation peut présenter des risques d'incendie et des problèmes de combustion et ainsi entraîner des blessures corporelles, des dommages matériels ou un fonctionnement involontaire. Aucune restriction ne s'applique aux systèmes de ventilation à aspiration ascendante.

AVERTISSEMENT



Un enfant ou un adulte pourrait faire basculer l'appareil et perdre la vie. Assurez-vous que le dispositif anti-basculé a été convenablement installé et que la patte de l'appareil est retenue par le support lorsque vous remettez la cuisinière en place.

Ne faites pas fonctionner l'appareil si le support anti-basculé n'est pas en place. La non-observation des instructions du présent guide peut entraîner la mort ou causer de graves brûlures à des enfants ou des adultes.

Assurez-vous que le support anti-basculé est bien installé et dûment utilisé. Faites doucement basculer la cuisinière vers l'avant en la tirant par l'arrière pour vous assurer que le support anti-basculé est bel et bien entré dans la base moulée en aluminium et que l'appareil ne peut se renverser. La cuisinière ne devrait pas pouvoir bouger de plus d'un pouce (2,5 cm).

AVERTISSEMENT

Si vous ne suivez pas rigoureusement les renseignements fournis dans le présent guide, des risques d'incendie ou d'explosion sont susceptibles de causer des dommages matériels, des blessures ou la mort.

- N'entreposez pas et n'utilisez pas d'essence ou d'autres produits inflammables sous forme de liquide ou de vapeur à proximité de la cuisinière ou de tout autre appareil.
- SI VOUS DÉTECTEZ UNE ODEUR DE GAZ
 - N'allumez aucun appareil.
 - Ne touchez pas aux interrupteurs électriques.
 - N'utilisez pas les téléphones du bâtiment où vous trouvez.
 - Appelez immédiatement votre société gazière chez un voisin et suivez les instructions qu'elle vous donne.
 - Si vous n'arrivez pas à contacter votre société gazière, appelez le service d'incendie.
- L'installation et les travaux d'entretien doivent être réalisés par un installateur qualifié, un centre de réparation agréé ou une société gazière.

Exigences en matière de gaz et d'électricité et instructions de mise à la terre

Vérification du type de gaz

Vérifiez le type de gaz fourni à votre emplacement. Assurez-vous que l'appareil est raccordé au type de gaz pour lequel il est certifié. Tous les modèles sont certifiés pour l'utilisation du gaz naturel. La conversion sur le terrain de l'appareil mixtes pour utilisation avec du gaz propane exigera une trousse de conversion incluse. Assurez-vous que le type de cuisinière et le type de gaz sont compatibles. Reportez-vous à l'étiquette de données qui se trouve à l'endroit indiqué à la *Figure 28 à la page 93*.



INSTRUCTIONS DE SÉCURITÉ IMPORTANTES

LISEZ ET CONSERVEZ CES INSTRUCTIONS

IMPORTANT :

Lors d'une installation contre une surface combustible, vous devez utiliser un dossieret bas. Vous devez vous procurer séparément ces articles THERMADOR. Avant d'utiliser la cuisinière, assurez-vous qu'elle est dotée d'un dossieret de protection approprié. Reportez-vous au Manuel d'installation qui accompagne cet appareil pour de plus amples détails.

Lors de l'utilisation de la garniture d'îlot THERMADOR, il faut un espace minimal de 12 po (305 mm) entre la partie arrière de l'appareil et la surface combustible. Les espaces libres jusqu'aux surfaces non combustibles ne sont pas précisés dans la norme ANSI Z21.1 et ne sont pas certifiés par la CSA. Tout espace libre de moins de 12 po (305 mm) doit être approuvé par les normes locales ou l'autorité locale ayant compétence.

Consultez les exigences d'alimentation électrique et de mise à la terre dans les instructions d'installation.

AVERTISSEMENT

Lorsque l'appareil est raccordé au gaz propane, veillez à ce que le réservoir de gaz soit doté de son propre régulateur à haute pression en plus du régulateur fourni avec la cuisinière. **La pression maximale de gaz à cet appareil ne peut pas dépasser une colonne d'eau de 14,0 pouces (34,9 mb) du réservoir de gaz au régulateur de pression.**

MISE EN GARDE

DÉBRANCHEZ TOUJOURS LA FICHE ÉLECTRIQUE DE LA PRISE MURALE AVANT D'EFFECTUER UNE RÉPARATION OU UN ENTRETIEN DE CET APPAREIL.

Il est de votre responsabilité et de votre obligation, à vous, l'acheteur, de vous s'assurer qu'un électricien qualifié branche cet appareil à l'alimentation électrique, conformément au code national de l'électricité ou aux codes et règlements locaux en vigueur.

Avant d'utiliser la cuisinière, assurez-vous qu'elle est munie d'un dossieret adéquat. Consultez les instructions d'installation qui accompagnent cet appareil pour obtenir de plus amples renseignements.

Modèles mixtes 36 de po :

240/208 volts, 60 Hz, circuit électrique de 40 ampères requis.

Modèles mixtes de 48 po :

240/208 volts, 60 Hz, circuit électrique de 50 ampères requis.

AVERTISSEMENT

Pour éviter tout risque de brûlure ou d'incendie, un dossieret conçu spécialement pour cette cuisinière doit être installé.

AVERTISSEMENT

DÉBRANCHEZ TOUJOURS LA FICHE ÉLECTRIQUE DE LA PRISE MURALE AVANT D'EFFECTUER DES RÉPARATIONS SUR LA CUISINIÈRE.

AVERTISSEMENT

Avertissements de la Proposition 65 de l'État de la Californie :

Ce produit contient des produits chimiques connus de l'État de la Californie pour causer le cancer, des anomalies congénitales ou d'autres problèmes de reproduction.

NE tentez PAS d'allumer manuellement les deux brûleurs XLO^{mc} de gauche et les deux brûleurs XLO de droite. Ces brûleurs sont dotés de la fonction ExtraLow^{mc} et ne peuvent être allumés manuellement.

ESSAIS CONFORMES À:

- La norme américaine ANSI Z21.1 régissant les appareils électroménagers au gaz.
- La norme américaine UL 858 régissant les cuisinières électriques domestiques.
- La norme canadienne CAN/CSA-22.2 No. 61, régissant les cuisinières domestiques.
- La norme canadienne CAN 1-1.1-M81 régissant les cuisinières domestiques au gaz.



INSTRUCTIONS DE SÉCURITÉ IMPORTANTES

LISEZ ET CONSERVEZ CES INSTRUCTIONS

Consultez la réglementation locale du bâtiment qui s'applique à votre cas pour connaître la bonne méthode d'installation. S'il n'y a pas de réglementation, cet appareil doit être installé conformément au code national américain sur les gaz combustibles No Z223.1, édition actuelle, et au code américain de l'électricité ANSI/NFPA No 70, édition actuelle, ou bien au code canadien Can - B149 régissant l'installation des appareils à gaz et à la section 1 du code électrique canadien C22.1.

AVERTISSEMENT

EN CAS DE DÉFAILLANCE ÉLECTRIQUE

Si, pour une raison quelconque, un bouton de commande est activé (ON) sans qu'aucune alimentation électrique ne puisse allumer les brûleurs STAR^{mc}, **éteignez-le et attendez 5 minutes** que le gaz se dissipe avant d'allumer manuellement le brûleur STAR.

Pour allumer manuellement les brûleurs STAR, grattez une allumette et approchez-la des orifices du brûleur STAR, puis tournez le bouton de commande du gaz à la position HI (élevé).

Durant une panne d'électricité, vous pouvez utiliser les brûleurs STAR de la table de cuisson, mais chacun d'eux devra être allumé à l'aide d'une allumette.

Ne tentez **PAS** d'allumer les deux brûleurs XLO STAR de gauche et les deux brûleurs XLO STAR de droite manuellement. Ces brûleurs STAR sont dotés de l'option ExtraLow et ne peuvent pas être allumés manuellement.

Il incombe au propriétaire et à l'installateur de déterminer si des exigences ou des normes additionnelles s'appliquent à l'installation spécifique.

Consignes de sécurité destinées à éviter les blessures

Votre cuisinière PROFESSIONAL^{mc} de THERMADOR est conçue pour être fiable et sécuritaire si elle est bien entretenue. Néanmoins, vous devez faire preuve d'une grande prudence lorsque vous utilisez cette cuisinière professionnelle, car ce type d'appareil produit une chaleur intense. L'utilisation d'appareils de cuisine doit se faire conformément aux consignes élémentaires de sécurité, y compris ce qui suit:

Lisez attentivement le présent guide d'utilisation et d'entretien avant d'utiliser votre nouvelle cuisinière afin de réduire les risques d'incendie, de décharge électrique ou de blessures.

L'installation et l'entretien doivent être correctement effectués. Suivez les instructions d'installation fournies avec le produit. Assurez-vous qu'un électricien qualifié installe et effectue la mise à la terre de la cuisinière.

Demandez à l'installateur de vous montrer où se trouvent le disjoncteur et la vanne d'arrêt de gaz pour savoir où et comment couper l'alimentation électrique et l'approvisionnement en gaz de la cuisinière.

Si le brûleur fuit et que du gaz s'en échappe, ouvrez une fenêtre ou une porte. Ne tentez pas d'utiliser la cuisinière avant que le gaz ait eu le temps de se dissiper. Attendez au moins 5 minutes avant d'utiliser la cuisinière.

Ne réparez et ne remplacez aucune pièce de l'appareil, sauf sous recommandation expresse du présent guide. Toute autre réparation doit être effectuée par un technicien qualifié.

AVERTISSEMENT

Ne rangez pas d'objets attirant l'attention d'enfants au-dessus ou derrière la cuisinière. Ils risqueraient d'y monter pour s'en emparer et pourraient se blesser gravement.

Ne laissez pas d'enfants seuls ou sans surveillance dans une pièce où des appareils fonctionnent. Ils ne devraient jamais pouvoir s'asseoir ou monter sur une partie quelconque de l'appareil. Si des enfants sont autorisés à utiliser la cuisinière, ils doivent être surveillés étroitement.

N'utilisez jamais la cuisinière ou le four comme espace de rangement. Les matières inflammables pourraient prendre feu et les objets en plastique pourraient fondre ou prendre feu.

N'accrochez rien sur l'appareil et n'appuyez rien contre le four. Certains tissus peuvent facilement s'enflammer.

Si la cuisinière est placée près d'une fenêtre, assurez-vous que les courants d'air ne peuvent pas pousser les rideaux jusqu'au-dessus ou à proximité des brûleurs; ils pourraient s'enflammer.

Assurez-vous qu'il y a un détecteur de fumée fonctionnel près de la cuisine.

Si vos vêtements ou vos cheveux prennent feu, jetez-vous immédiatement par terre et roulez pour éteindre les flammes.



INSTRUCTIONS DE SÉCURITÉ IMPORTANTES

LISEZ ET CONSERVEZ CES INSTRUCTIONS

Ayez un extincteur approprié à portée de la main, visible et facile d'accès, tout près de l'appareil de cuisson.

Étouffez les flammes provenant d'aliments en feu, autre que les feux de friture, avec du bicarbonate de soude. N'utilisez jamais de l'eau pour éteindre des aliments en feu.

AVERTISSEMENT

POUR RÉDUIRE LES RISQUES DE FEU DE FRITURE :

- Ne laissez jamais l'appareil sans surveillance lors de son utilisation à haute température. Les débordements par bouillonnement causent de la fumée et des déversements de graisse qui peuvent prendre feu. Faites chauffer l'huile à des températures basses ou moyennes.
- Allumez toujours la hotte lorsque vous cuisinez à haute température ou que vous faites flamber des aliments (c.-à-d. crêpes Suzette, cerises jubilé, bœuf flambé au poivre).
- Nettoyez fréquemment les ventilateurs. Ne laissez pas la graisse s'accumuler sur les ventilateurs ou les filtres.
- Utilisez des poêlons aux dimensions adéquates. Utilisez toujours une batterie de cuisine correspondant aux dimensions de l'élément ou du brûleur.

Dans la mesure du possible, ne faites pas fonctionner le système de ventilation lorsqu'il y a un feu sur la surface de cuisson. Cependant, ne tentez pas de l'éteindre en passant votre main dans le feu.

Lorsque les enfants sont assez âgés pour utiliser l'appareil, il est de la responsabilité légale des parents ou des tuteurs de veiller à ce que des personnes qualifiées leur enseignent des pratiques sécuritaires.

Les vêtements, poignées, mitaines ou toute autre matière inflammable ne doivent pas toucher ni être placés à proximité des brûleurs à infrarouge, des brûleurs ou des grilles des brûleurs avant que ceux-ci n'aient eu le temps de refroidir. Les tissus pourraient prendre feu et provoquer des blessures.

N'utilisez que des poignées et mitaines sèches : la vapeur qui se dégage de poignées et de mitaines mouillées ou humides posées sur des surfaces chaudes peut provoquer des blessures. N'utilisez pas de serviettes ni de chiffons volumineux au lieu de poignées et de mitaines. Ne laissez

pas de poignées ou de mitaines toucher des grilles de brûleurs, des brûleurs à infrarouge ou des brûleurs chauds.

Pour votre sécurité, lorsque vous utilisez l'appareil, portez des vêtements adéquats et évitez ceux qui sont amples et qui ont des manches tombantes. Certains tissus synthétiques sont hautement inflammables. Vous ne devriez pas en porter lorsque vous cuisinez.

AVERTISSEMENT

Pour Réduire Les Risques De Blessure Lors D'un Feu De Friture, Observez Les Consignes Suivantes :

- Étouffez les flammes avec un couvercle, une plaque à biscuits ou un plateau de métal et éteignez ensuite le brûleur ou l'élément. Prenez garde aux risques de brûlure. Si les flammes ne disparaissent pas immédiatement, évacuez les lieux et appelez le service d'incendie.
- NE PRENEZ JAMAIS UN POÊLON EN FEU – Vous pourriez vous brûler.
- N'UTILISEZ PAS D'EAU ou un linge à vaisselle mouillé – une violente explosion de vapeur s'ensuivra.
- Utilisez un extincteur SEULEMENT si :
 - Vous savez que vous possédez un extincteur de classe ABC et vous savez vous en servir.
 - Le feu est faible et ne s'est pas répandu depuis son point d'origine.
 - Vous avez appelé le service d'incendie.
 - Vous pouvez sortir facilement de l'endroit où vous combattez le feu.

N'enveloppez aucune pièce de la cuisinière ou du four dans du papier d'aluminium. L'utilisation de revêtement en aluminium pourrait causer une décharge électrique ou un incendie, ou encore obstruer la circulation d'air de la combustion et de l'aération. Le papier d'aluminium est un excellent isolateur et il retient la chaleur. Son utilisation aura une incidence sur la cuisson et pourrait endommager le fini du four ou de la cuisinière.

AVERTISSEMENT

Cet appareil a été conçu pour un usage culinaire. Pour des raisons de sécurité, n'utilisez jamais le four ou la table de cuisson pour chauffer une pièce. Cela pourrait endommager les composantes de la table de cuisson ou du four.



INSTRUCTIONS DE SÉCURITÉ IMPORTANTES

LISEZ ET CONSERVEZ CES INSTRUCTIONS

Quand vous utilisez la table de cuisson : NE TOUCHEZ PAS LES GRILLES DES BRÛLEURS OU LES ZONES ADJACENTES. Les zones entourant les brûleurs peuvent devenir assez chaudes pour causer des brûlures.

AVERTISSEMENT

RISQUE DE BASCULEMENT DE LA CUISINIÈRE :

- Toutes les cuisinières peuvent basculer et blesser quelqu'un. Pour éviter un basculement accidentel de la cuisinière, elle doit être fixée au sol, au mur ou à une armoire à l'aide du dispositif anti-bascule fourni.
- L'appareil risque de basculer s'il n'est pas installé conformément à ces instructions.
- En déplaçant la cuisinière pour la nettoyer, la réparer ou pour toute autre raison, assurez-vous qu'elle s'est bien enclenchée dans le dispositif anti-bascule lorsque vous la remettez en place. Autrement, si l'appareil est utilisé de façon anormale (par exemple, si quelqu'un monte, s'assoie ou s'appuie sur une porte ouverte), la cuisinière risque de basculer. Le basculement de la cuisinière ou d'un liquide chaud se trouvant sur la surface de cuisson pourrait causer des blessures corporelles.

Lorsque vous cuisinez, réglez les brûleurs de façon à ce que la flamme ne chauffe que le fond du récipient sans déborder sur les côtés.

Ne faites pas chauffer de récipients fermés. La pression s'accumulant dans le récipient pourrait le faire éclater et provoquer des blessures.

AVERTISSEMENT

N'utilisez JAMAIS cet appareil pour chauffer une pièce. Ceci peut causer un empoisonnement au monoxyde de carbone et surchauffer l'appareil.

Ne laissez jamais la cuisinière sans surveillance quand vous utilisez une flamme intense. Les débordements produisent de la fumée et des éclaboussures de graisse qui peuvent s'enflammer. Par ailleurs, si la flamme d'un brûleur s'éteint, du gaz s'échappera dans la pièce. Pour en savoir plus sur les fuites de gaz, consultez la *page 49*.

Seuls certains types de casseroles en verre, en vitrocéramique résistant à la chaleur, en céramique, en terre cuite ou en céramique vitrifiée peuvent être utilisés sur les brûleurs de la cuisinière. Ce type de récipients peut se casser lors de changements de température brusques.

N'utilisez que des réglages de flamme bas ou moyen et respectez les directives du fabricant.

AVERTISSEMENT

Ne recouvrez JAMAIS des fentes, des trous ou des parties du fond du four et ne couvrez jamais des grilles entières avec des matières comme du papier d'aluminium. Vous obstruerez la circulation d'air dans le four, ce qui peut causer un empoisonnement au monoxyde de carbone. Un revêtement en papier d'aluminium peut également piéger la chaleur et présenter un risque d'incendie.

AVERTISSEMENT

Évitez d'utiliser une flamme forte de façon prolongée avec un récipient plus grand que la grille ou couvrant plusieurs brûleurs, comme une plaque. Cela peut nuire à la combustion et produire des émanations dangereuses.

Les grandes casseroles, les plaques à biscuits, etc. ne doivent jamais être utilisées sur la surface de cuisson.

Soyez prudent et assurez-vous que les courants provenant de grilles d'aération ou de ventilateurs ne soufflent pas de matière inflammable vers les flammes ou ne poussent pas les flammes sur les côtés de la casserole ou du poêlon.

Utilisez toujours des casseroles et poêlons à fond plat et suffisamment larges pour couvrir le brûleur. L'utilisation de casseroles trop petites pourrait exposer une partie de la flamme et enflammer des vêtements.

N'utilisez pas de produits nettoyeurs inflammables pour nettoyer la cuisinière.

Pour réduire les risques de brûlure, d'inflammation de matières inflammables et de renversements accidentels, placez les poignées des récipients vers l'intérieur de la cuisinière pour qu'elles ne dépassent pas sur les surfaces de travail adjacentes, les zones de préparation ou le bord de la table de cuisson de la cuisinière.

Tenez la poignée du récipient pour l'empêcher de bouger quand vous remuez des aliments.

Veillez noter que certaines personnes et certains animaux peuvent être sensibles aux odeurs créées pendant le processus d'autonettoyage, qu'il s'agisse des résidus de fabrication ou d'aliments qui brûlent. Il est donc recommandé pour ces personnes ou ces animaux d'éviter de se trouver dans la cuisine pendant le processus d'autonettoyage.



INSTRUCTIONS DE SÉCURITÉ IMPORTANTES

LISEZ ET CONSERVEZ CES INSTRUCTIONS

N'utilisez pas le plateau de la plaque chauffante pour faire cuire des viandes très grasses ou des produits qui s'enflamment facilement.

Avant d'utiliser la plaque chauffante ou les brûleurs à proximité, enlevez la planche à découper optionnelle ou l'accessoire de recouvrement de la plaque.

LA GRAISSE EST INFLAMMABLE. Laissez la graisse chaude refroidir avant d'essayer de la manipuler. Évitez de laisser de la graisse s'accumuler. Nettoyez après chaque utilisation.

Nettoyez la cuisinière avec soin. Faites attention de ne pas vous brûler avec la vapeur : n'utilisez pas d'éponge ou de chiffon mouillé pour nettoyer la cuisinière quand elle est chaude. Certains produits nettoyants dégagent des vapeurs toxiques s'ils sont appliqués sur une surface chaude. Suivez les indications fournies par le fabricant du produit nettoyant.

Pour que les brûleurs s'allument et fonctionnent correctement, les orifices d'allumage doivent être gardés propres. Il faut les nettoyer après un débordement ou lorsque le brûleur ne s'allume pas même si le système d'allumage électronique s'actionne.

AVERTISSEMENT

Après un renversement ou une éclaboussure, éteignez le brûleur et nettoyez le pourtour et les orifices. Assurez-vous du bon fonctionnement de l'appareil après le nettoyage.

AVERTISSEMENT

Pour éviter tout risque de brûlure ou d'incendie, un dossier de protection conçu spécialement pour cette cuisinière doit être installé avant son utilisation.

Assurez-vous que tous les boutons de la table de cuisson sont hors circuit et que la table de cuisson est froide avant d'utiliser un produit nettoyant en aérosol sur celle-ci ou à proximité de celle-ci. Certains produits chimiques vaporisés peuvent, en présence de chaleur, prendre feu ou corroder les pièces métalliques.

Quand vous utilisez le four, ne touchez pas aux brûleurs à infrarouge, aux surfaces internes du four ou à la zone externe entourant la porte. Les surfaces internes du four chauffent suffisamment pour causer des brûlures. Le déflecteur de chaleur, qui évacue la chaleur de la table de cuisson et de la garniture sur le dessus et les côtés de la porte du four, sera également chaud pendant l'utilisation du four.

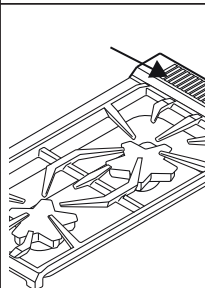
Placez les grilles du four à la position voulue pendant que le four est froid. Si vous devez déplacer une grille quand le four est chaud, ne laissez pas les ustensiles entrer en contact avec le brûleur à infrarouge.

Faites preuve de prudence lorsque vous ouvrez la porte du four. Laissez l'air chaud et la vapeur s'échapper avant d'introduire ou de retirer des aliments.

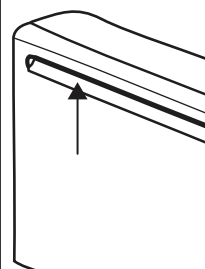
Avant de procéder à l'autonettoyage du four, enlevez la lèchefrite, les grilles du four, tout autre ustensile et les accumulations de saletés.

N'OBSTRUEZ PAS la circulation d'air de combustion ou d'aération.

MISE EN GARDE



NE bloquez et n'obstruez PAS les prises d'air de ventilation. L'ouverture d'aération du four est située à l'arrière de l'appareil. Les ouvertures d'aération ne doivent pas être obstruées. Elles doivent être ouvertes pour permettre la circulation d'air nécessaire au fonctionnement adéquat du four.



NE touchez PAS la zone entourant le trou d'aération du four lorsque l'appareil fonctionne, et ce, plusieurs minutes après la fin de son utilisation. Certaines pièces de l'ouverture d'aération et de la zone l'entourant deviennent assez chaudes pour causer des brûlures. Laissez suffisamment de temps à l'appareil pour qu'il refroidisse avant de toucher ou de nettoyer l'ouverture d'aération et la zone l'entourant.

NE mettez PAS du plastique ou d'autres articles sensibles à la chaleur sur l'ouverture d'aération du four ou à proximité. Ces articles pourraient fondre ou s'enflammer.



INSTRUCTIONS DE SÉCURITÉ IMPORTANTES

LISEZ ET CONSERVEZ CES INSTRUCTIONS

Protégez le dispositif d'autonettoyage. Nettoyez seulement les parties indiquées dans le présent guide. N'utilisez pas de produits nettoyants commerciaux ou de revêtements de protection pour four dans le four autonettoyant ou autour.

Pour des raisons de sécurité et pour ne pas endommager l'appareil, ne vous asseyez pas, ne montez pas et ne vous appuyez pas sur la porte du four.

Toutes les réparations doivent être effectuées par des techniciens agréés, qui devront débrancher l'alimentation électrique de l'appareil avant de le réparer.

Pour éviter tout risque d'incendie, nettoyez fréquemment la hotte et les filtres afin d'empêcher les accumulations de graisse.

Assurez-vous de bien entendre la soufflerie de refroidissement lorsque le four est réglé aux modes BROIL ou BAKE, et qu'il atteint une température de 300°F (149°C) ou au mode d'autonettoyage. Si le ventilateur ne fonctionne pas, n'utilisez pas le four. Appelez un centre autorisé pour obtenir du service.

En cas d'incendie ou si vous faites flamber intentionnellement de l'alcool sur la table de cuisson, suivez les instructions du fabricant. Faites preuve de prudence lorsque vous cuisinez avec de l'alcool (ex. : rhum, brandy, bourbon) dans le four. L'alcool s'évapore à haute température. Les vapeurs d'alcool peuvent s'enflammer dans le four et présenter un risque de brûlure. Utilisez seulement une petite quantité d'alcool avec les aliments et faites attention lorsque vous ouvrez la porte du four.

Ne rangez pas ou n'utilisez pas de produits chimiques, corrosifs, inflammables, non alimentaires près de cet appareil ou dans cet appareil, lequel est spécifiquement conçu pour réchauffer ou faire cuire des aliments. L'utilisation de produits chimiques corrosifs pendant le réchauffage ou la cuisson peut endommager l'appareil et causer des blessures.

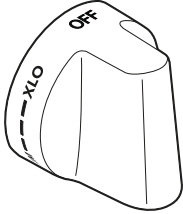
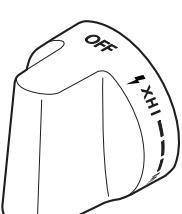
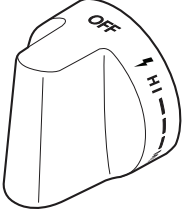
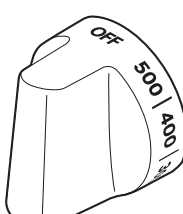
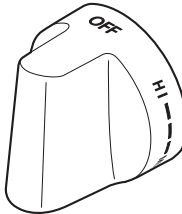
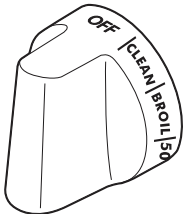
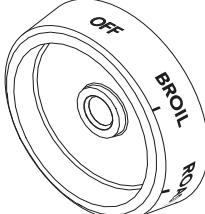
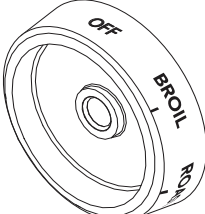
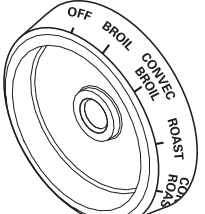
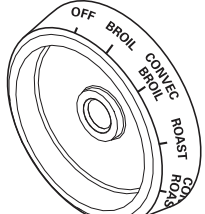

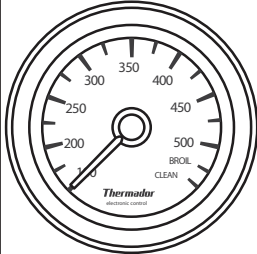
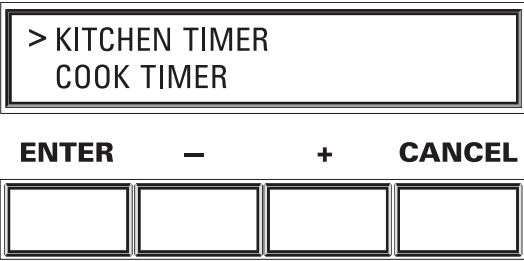
Vous ne devez pas nettoyer, frotter, endommager, déplacer ni retirer le joint de la porte. Il est essentiel pour assurer une bonne étanchéité pendant la cuisson ou l'autonettoyage du four. Si le joint est usé ou très sale, remplacez-le pour assurer une bonne étanchéité.

Lorsque vous faites cuire des aliments gras sur les brûleurs, le gril ou la plaque chauffante, les vapeurs peuvent s'enflammer lors de l'utilisation des brûleurs à gaz adjacents. Prenez garde de ne pas vous brûler.

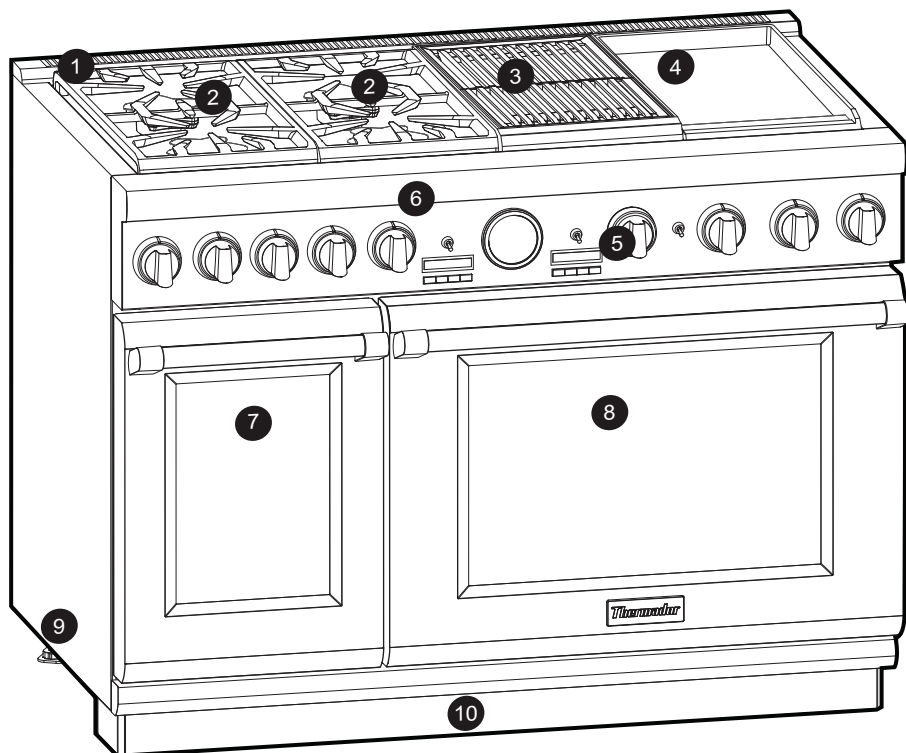
Description

Identification des pièces

Description des tableaux de commande

<p>Bouton ExtraLow</p> 	<p>ExtraHigh et ExtraLow</p> 	<p>Bouton Standard</p> 	<p>Bouton de plaque chauffante</p> 	<p>Bouton de grill</p> 
<p>Sélecteur de température du four</p> 	<p>Sélecteur de mode du four principal</p>  <p>MODES: BROIL ROAST SELF CLEAN KEEP WARM CONVEC BAKE BAKE</p>	<p>Sélecteur de mode du four secondaire</p>  <p>MODES: BROIL ROAST SELF CLEAN PROOF CONVEC BAKE BAKE</p>	<p>Sélecteur de mode du four principal</p>  <p>MODES: BROIL CONVEC BROIL ROAST CONVEC ROAST SELF CLEAN KEEP WARM CONVEC BAKE BAKE</p>	<p>Sélecteur de mode du four secondaire</p>  <p>MODES: BROIL CONVEC BROIL ROAST CONVEC ROAST SELF CLEAN PROOF CONVEC BAKE BAKE</p>
<p>Interrupteur de la lampe du four</p> 	<p>Indicateur de température</p> 	<p>Écran d'affichage du four et boutons de commande</p> 		

Identification de la cuisinière



Le modèle illustré est la cuisinière de 48" avec plaque chauffante et gril (les modèles varient)

1. Garniture d'îlot (inclus) ou dossieret bas (commandés séparément)
2. Grilles et brûleurs
3. Option de gril électrique
4. Option de plaque chauffante électrique
5. Tableau de commande
6. Éclairage du panneau de commande
7. Four secondaire
8. Porte du four principal
9. Patte de la cuisinière
10. Trousse de recouvrements de pattes (inclus), plinthe illustrée (vendue séparément)

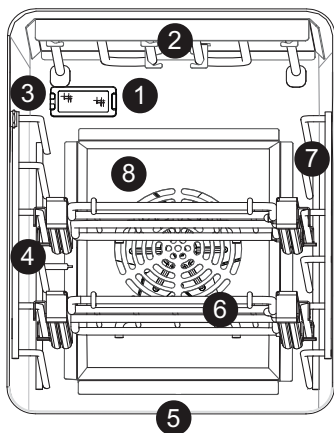
⚠ AVERTISSEMENT:

Pour assurer une bonne ventilation de la cuisinière n'enlevez **PAS** les pattes de la cuisinière.

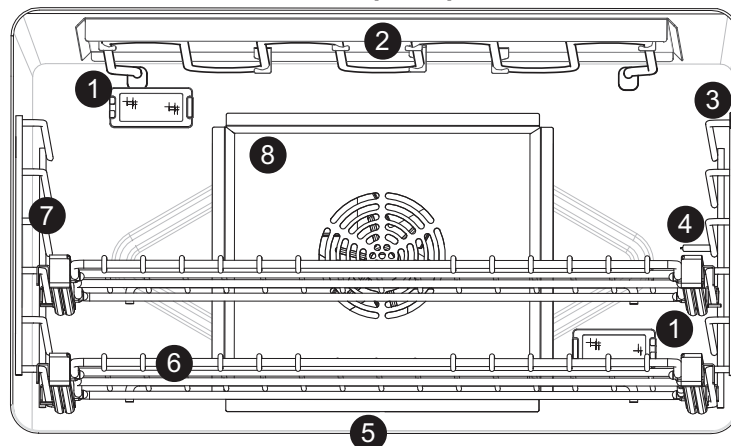
Figure 1 : Identification des pièces de la cuisinière

Description de l'intérieur des mixte fours

Four secondaire (48" seulement)



Mixte principal



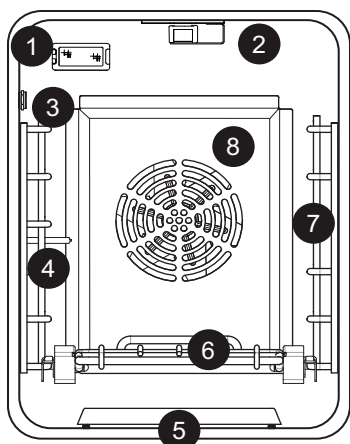
1. Lumières intérieures
2. Brûleurs à infrarouge du grilloir
3. Prise de la sonde thermique
4. Capteur de température du four

5. Brûleur du four (dissimulé)
6. Grilles coulissantes (3 mixte principal, 2 four secondaire)
7. Glissières des grilles
8. Couvercle de ventilateur pour cuisson à convection

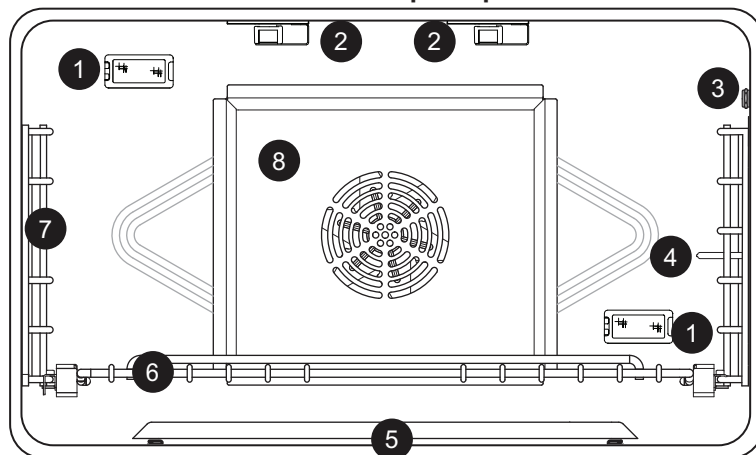
Figure 2 : Intérieur du four électrique

Description de l'intérieur des gaz fours

Four secondaire (48" seulement)



Porte du four principal



- | | |
|--------------------------------------|--|
| 1. Lumières intérieures | 5. Glissières des grilles |
| 2. Brûleurs à infrarouge du grilloir | 6. Grilles coulissantes (3 porte du four principal, 2 four secondaire) |
| 3. Prise de la sonde thermique | 7. Glissières des grilles |
| 4. Capteur de température du four | 8. Couvercle de ventilateur pour cuisson à convection |

Figure 3 : Intérieur du four gaz

Avant de Commencer

Mise en route

IMPORTANT

Pour prévenir tout fonctionnement non voulu lors de la mise en marche du four, veuillez placer tous les boutons à la position OFF. Pour assurer la sécurité de l'utilisateur lors d'une panne d'électricité, un message annonçant une erreur apparaît à l'écran de l'appareil lors de la reprise du courant, à moins que tous les boutons soient à la position OFF. Remettez tous les boutons à la position OFF et réinitialisez le disjoncteur pour éliminer ce message.

Grille plate

⚠ AVERTISSEMENT

Pour prévenir les risques de brûlure, n'enlevez ou ne déplacez JAMAIS les grilles lorsque le four est en marche ou lorsqu'il refroidit.

⚠ ATTENTION

N'utilisez jamais de papier d'aluminium pour recouvrir les grilles du four ou chemiser le four. N'enlevez pas l'élément du grilloir du four électrique. L'utilisation inadéquate de papier d'aluminium peut endommager le four.

Position des grilles pour la cuisson

Placez correctement les grilles dans le four. La position adéquate des grilles dépend de la recette et du mode de cuisson. **Les positions des grilles dans le four sont numérotées de bas en haut, comme un ascenseur.** La position no 3 est la position la plus fréquemment utilisée. Introduisez la ou les grilles à la position voulue avant d'allumer le four.

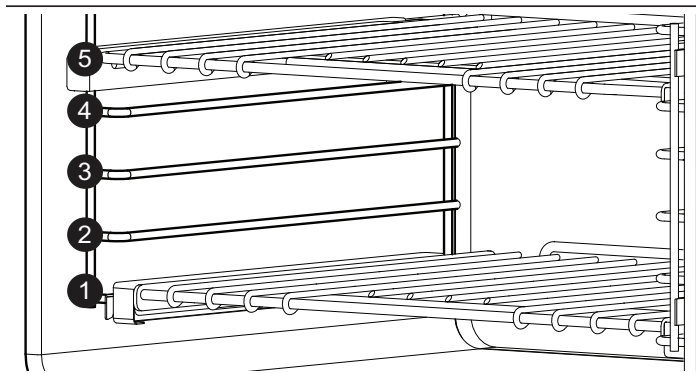
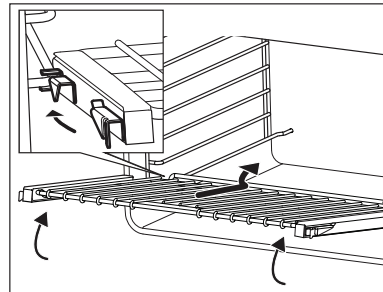


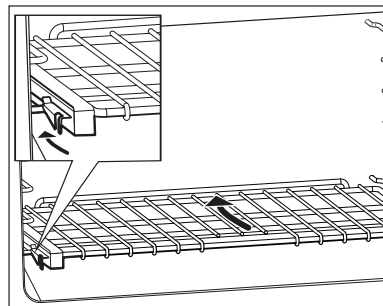
Figure 4 : Positions des grilles dans le four

Comment placer la grille Full Access dans le four

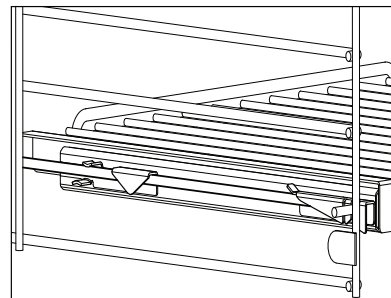
1. Tenez la grille dans un angle légèrement ouvert. Placez les crochets sous la partie avant des fentes des glissières.



2. Poussez la grille dans le four en la soulevant par-dessus les butées de sûreté situées à l'avant des glissières.
3. Tenez la grille bien droite.
4. Poussez la grille jusqu'à ce qu'elle arrive au même niveau que les crochets avant.



5. Soulevez la grille.
6. Poussez la grille jusqu'au fond.
7. Engagez les crochets avant de la grille dans les glissières.



IMPORTANT : Lorsque vous installez la grille coulissante dans le four, assurez-vous que les supports frontaux des glissières de la grille reposent dans les larges fentes des coins avant de la grille. Cela est nécessaire pour que la grille demeure dans la bonne position lorsqu'elles se trouvent totalement à l'intérieur du four.

Figure 5 : Installation de la grille coulissante du four

IMPORTANT : Enlevez toujours les grilles avant de procéder à l'autonettoyage du four. Si les grilles coulissantes restent dans le four pendant l'autonettoyage, les lubrifiants du mécanisme de glissement de chaque grille seront endommagés et le fini se décolorera.

TOUJOURS RETIRER AVANT L'AUTONETTOYAGE

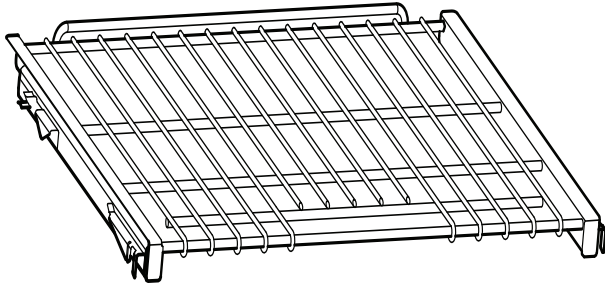


Figure 6 : Installation de la grille dans le four

Brûleurs de surface

1. **Assurez-vous que les chapeaux des brûleurs STAR^{mc} sont bien posés sur leurs bases sur la table de cuisson** (Figure 8 à la page 61).
2. Allumez chaque brûleur pour vous assurer que la flamme est d'une couleur adéquate. Consultez la section « *Description de la flamme* » à la page 64 » pour plus de détails.

Utilisation du four

1. **Avant d'utiliser le four ou le grilloir**, allumez le four et le grilloir pour brûler les huiles de fabrication en ayant recours à l'une des deux méthodes suivantes :
 - Mettez le système de ventilation de la cuisine en marche (si la hotte utilisée fonctionne avec un système de reprise d'air, ouvrez une fenêtre). Réglez le four à 500°F (260°C) et laissez le four fonctionner pendant deux heures à une température élevée, puis éteignez-le. Veuillez consulter la section « *Entretien et Nettoyage* » à la page 85 » avant de nettoyer les grilles du four.
 - Mettez le système de ventilation de la cuisine en marche (si la hotte utilisée fonctionne avec un système de reprise d'air, ouvrez une fenêtre). Enlevez les grilles du four. Réglez le four au mode d'autonettoyage et laissez-le terminer son cycle (voir la section « *Entretien et Nettoyage* » à la page 85 »).

Les cuisinières PROFESSIONAL^{mc} de THERMADOR dégagent parfois une odeur particulière ou de la fumée lors de la première utilisation. Ces odeurs ou cette fumée proviennent des résidus de fabrication qui brûlent, ce qui est caractéristique de toute nouvelle cuisinière, indépendamment du fabricant.

Veillez noter que les oiseaux de compagnie peuvent être sensibles aux odeurs créées durant l'utilisation du four à température élevée, qu'elles proviennent de la combustion de résidus de fabrication ou d'aliments. Il est donc recommandé de sortir les oiseaux de compagnie de la cuisine.

NOTE : Il est normal durant le processus de refroidissement que le four dégage de l'air chaud dans la pièce où il se trouve.

Plaque signalétique

Notez les numéros de modèle et de série à la page 93. Consultez les renseignements apparaissant sur la plaque de la fiche signalétique. La plaque de la fiche signalétique se trouve à la droite de l'appareil, entre la cavité du four et le panneau latéral. Vous pouvez utiliser ces renseignements lors de toutes vos futures communications avec le service à la clientèle.

Utilisation de la cuisinière

Brûleurs scellés

Mise en place des capuchons de brûleur

Chaque capuchon comporte une lettre (B, D, ou F) coulée dans la partie inférieure du capuchon correspondant à une lettre (B, D, ou F) coulée dans la base du brûleur solidaire de l'appareil.

- Placer chaque capuchon de brûleur sur la base du brûleur correspondant selon la lettre marquée sur chacun d'eux. Voir la figure ci-dessous.

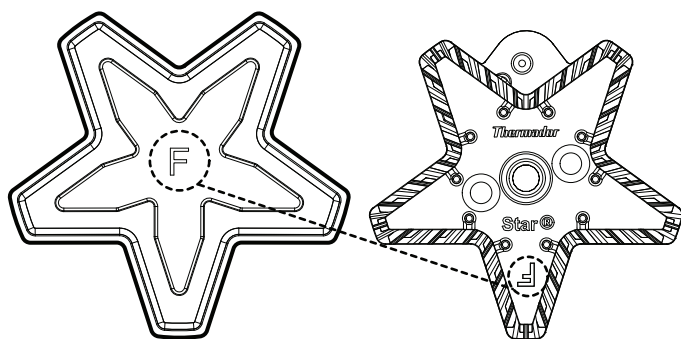


Figure 7 : Éléments du brûleur

- Placer le capuchon de brûleur délicatement sur la base de manière à ce que les pattes de la base du brûleur s'ajustent parfaitement dans la fente du capuchon de brûleur.

Chapeaux des brûleurs

Pour assurer un fonctionnement approprié, les chapeaux des brûleurs STAR doivent être placés adéquatement sur leur base. Si le chapeau n'est pas placé adéquatement, l'un ou l'autre des problèmes suivants pourrait survenir :

- Les flammes du brûleur sont trop hautes.
- Des flammes excessives jaillissent du brûleur.
- Le brûleur ne s'allume pas.
- Les flammes du brûleur sont inégales.
- Le brûleur émet des odeurs.

⚠ AVERTISSEMENT

Pour prévenir toute brûlure, éviter de toucher les chapeaux et les grilles des brûleurs lorsqu'ils sont chauds. Éteignez la table de cuisson et laissez les brûleurs refroidir.

⚠ AVERTISSEMENT

Pour prévenir toute brûlure, éviter de toucher les chapeaux et les grilles des brûleurs lorsqu'ils sont chauds. Éteignez la table de cuisson et laissez les brûleurs refroidir.

Vérification de la position des chapeaux des brûleurs.

- Vérifiez chaque brûleur pour vous assurer qu'il n'y a pas d'espace entre le chapeau et la base du brûleur. Voir Figure 8: "Chapeau de brûleur correctement et incorrectement placé" pour des exemples de chapeau de brûleur correctement ou incorrectement placés.
- Vous pouvez essayer de déplacer délicatement les chapeaux des brûleurs latéralement pour vous assurer qu'ils sont placés correctement sur leur base. Lorsqu'ils sont bien placés, les chapeaux des brûleurs sont droits sur la base et couvrent complètement la base du brûleur en forme d'étoile lorsque vous les regardez d'en haut, comme sur la Figure 8.

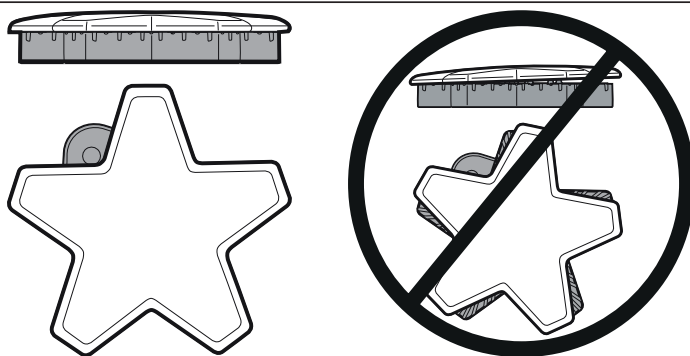


Figure 8 : Chapeau de brûleur correctement et incorrectement placé

Positionnement des grilles des brûleurs

Assurez-vous que les grilles sont adéquatement positionnées sur la surface de cuisson avant d'utiliser les brûleurs. Les grilles sont conçues pour reposer dans la partie enfoncée de la surface de cuisson.

Pour installer les grilles des brûleurs, positionnez-les avec le côté plat vers le bas et alignez-les dans la partie enfoncée. Les grilles doivent s'appuyer les unes contre les autres et contre les côtés de la partie enfoncée.

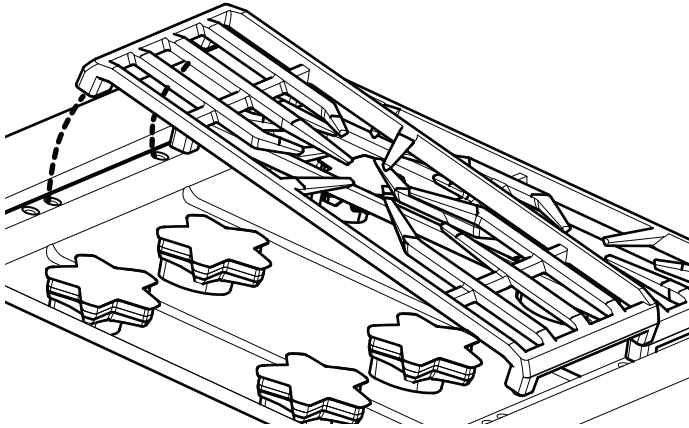


Figure 9 : Positionnement des grilles des brûleurs

Boutons de commande

Le symbole au-dessus de chaque bouton identifie soit la position du brûleur sur la surface de cuisson ou le contrôle de la grille, selon le modèle.

Fonctionnement des brûleurs

1. Poussez sur le bouton et tournez-le dans le sens antihoraire jusqu'au réglage HI.
 - L'allumeur du brûleur sélectionné émet des étincelles pour allumer le brûleur.
 - Une fois le brûleur allumé, l'allumeur cesse d'émettre des étincelles.
2. Tournez le bouton à n'importe quel réglage entre HI et SIM.
 - Un témoin lumineux bleu, situé entre les boutons de commande, s'allume lorsque les brûleurs adjacents sont allumés. Le témoin reste allumé jusqu'à ce que les brûleurs adjacents soient éteints. Brûleurs ExtraLow^{mc}

Brûleurs ExtraLow^{mc}

Les boutons de commande des deux brûleurs de gauche et des deux brûleurs de droite, avant et arrière, peuvent être ajustés à des intensités de flamme encore plus basses que les réglages standards de mijotage.

La Figure 10 montre la gamme supplémentaire de réglages du bouton entre SIM et XLO. Lorsque le bouton est ajusté pour l'utilisation de cette fonction, la flamme s'allume et s'éteint par intervalles. La durée pendant laquelle la flamme est allumée et éteinte permet de réduire davantage la quantité de chaleur et de cuire des aliments délicats. Par exemple, le réglage très bas est utile pour faire mijoter et pocher, faire fondre du chocolat et du beurre, ou maintenir la température de plats préparés sans qu'ils roussissent ou brûlent, etc.

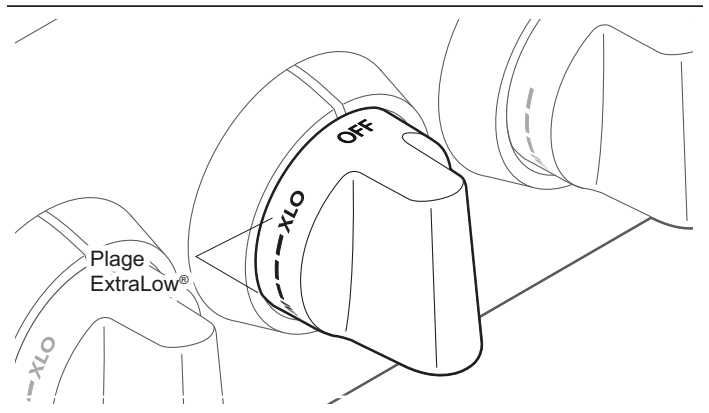


Figure 10 : Bouton de commande d'un brûleur ExtraLow

Fonctionnement d'un brûleur ExtraLow^{mc}

- XLO, le réglage le plus bas, fonctionne par cycles d'une minute où la flamme est allumée pendant environ 7 secondes puis éteinte pendant environ 53 secondes.
- Lorsque le bouton est réglé juste en dessous du repère SIM, la flamme reste allumée pendant environ 53 secondes et s'éteint pendant environ 7 secondes.
- Pour faire varier le degré de chaleur, il est possible de régler le bouton à n'importe quelle position entre SIM et XLO.

Techniques ExtraLow^{mc}

- Le type et la quantité d'aliments déterminent le réglage à utiliser.
- Le réglage est également déterminé par le type de récipient choisi. Ses dimensions, sa forme, le matériau et l'utilisation d'un couvercle sont des facteurs qui influent sur la constance de la température de cuisson.

- Pour maintenir une chaleur basse ou pour faire mijoter, portez les aliments à ébullition. Remuez bien, couvrez le récipient puis baissez le réglage en plaçant le bouton juste en dessous de SIM.
- Vérifiez régulièrement s'il est nécessaire de modifier le réglage du bouton de commande.
- Si vous utilisez un récipient surdimensionné, vos aliments mijoteront principalement au centre de celui-ci. Pour homogénéiser la température d'ensemble, remuez les aliments de façon à ce que ceux qui se trouvent sur les rebords passent également par le centre.
- Quand un plat mijote, il est normal de le remuer de temps à autre, surtout s'il doit mijoter pendant plusieurs heures, comme dans le cas de fèves au lard ou d'une sauce à spaghetti maison.
- Quand vous baissez le réglage de la flamme, faites-le graduellement.
- Si le réglage est trop bas pour faire mijoter, portez de nouveau à ébullition avant de mettre le bouton à un réglage plus intense.
- Il est normal de ne pas voir de bulles après avoir remué les aliments.
- Quand la flamme est allumée, des bulles peuvent se former, puis disparaître lorsqu'elle s'éteint. Même quand la flamme est éteinte, de la vapeur et un léger frémissement seront perceptibles à la surface du liquide.

POWERBOOST^{mc}

Le bouton de commande POWERBOOST, ou XHI est supérieure de 4000 BTU au réglage de tout autre brûleur STAR. Il est pratique pour rapidement faire bouillir de l'eau, saisir des steaks, faire sauter des légumes, etc. Les fonctions SIM et XLO s'utilisent de la même manière que sur les autres brûleurs.

Rallumage automatique

Chaque brûleur comporte son propre allumeur électronique qui produit des étincelles lorsque le bouton est activé. Les brûleurs doivent s'allumer en 4 secondes ou moins. Si le brûleur ne s'allume pas, assurez-vous que le chapeau est correctement posé sur sa base.

Si un ou plusieurs brûleurs s'éteignent, l'allumeur électronique produit automatiquement des étincelles pour rallumer la flamme. Ne touchez pas aux brûleurs pendant que les allumeurs produisent des étincelles.

⚠ ATTENTION

Ne touchez pas les brûleurs pendant que les allumeurs produisent des étincelles.

IMPORTANT :

- Pour assurer une combustion adéquate, n'utilisez pas la surface de cuisson si la grille des brûleurs n'est pas en place.
- La combustion et l'allumage du brûleur produisent un léger bruit. Cela est normal.

Panne de courant

⚠ AVERTISSEMENT

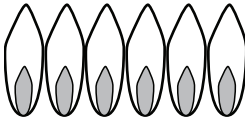
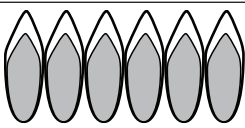
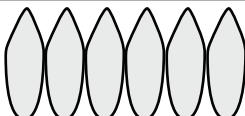
En cas de panne de courant, mettez tous les boutons à la position OFF. Seuls les brûleurs standards STAR peuvent être allumés manuellement.

- En cas de panne de courant, seuls les brûleurs standards peuvent être allumés manuellement. Chacun d'eux doit être allumé individuellement.
- Si une panne de courant survient pendant que vous utilisez la cuisinière, tournez tous les boutons à la position OFF.
- Vous pouvez allumer les brûleurs STAR^{mc} standards en approchant une allumette enflammée près des orifices et en tournant le bouton à la position HI. Attendez que la flamme soit allumée tout autour du chapeau du brûleur avant de la régler à la hauteur voulue.
- Les brûleurs XLO ne peuvent être utilisés pendant une panne de courant. Assurez-vous de les éteindre.
- Si un brûleur ExtraLow est allumé pendant une panne de courant, il ne peut être remis en circuit tant que le bouton n'est pas réglé à la position OFF.
- La plaque chauffante et le gril ne peuvent être utilisés pendant une panne de courant.
- Si vous détectez une odeur de gaz, consultez les instructions de sécurité.

Hauteur de la flamme

- La hauteur correcte de la flamme dépend : (1) de la taille et du matériau du récipient utilisé; (2) des aliments à cuire; et (3) de la quantité de liquide dans le récipient.
- La flamme ne doit pas dépasser les côtés de la base du récipient.
- Utilisez une flamme basse ou moyenne pour les récipients dont le matériau conduit lentement la chaleur, comme l'acier émaillé ou la vitrocéramique.

Description de la flamme

Flamme jaune : Réglage nécessaire	
Pointe jaune sur cône extérieur : Normal pour gaz LP	
Flamme bleue : Normal pour gaz naturel	

Si la flamme est complètement ou presque jaune, assurez-vous que le régulateur est réglé pour le combustible approprié. Après le réglage, vérifiez de nouveau.

Des rayures de couleur orangée sont normales pendant la mise en marche initiale. Laissez l'appareil fonctionner de 4 à 5 minutes et évaluez de nouveau avant d'effectuer les réglages.

Figure 11 : Caractéristiques des flammes

- La flamme des brûleurs doit être bleue sans pointe jaune. Elle devient parfois partiellement orange : cela indique que des impuretés flottant dans l'air sont en train de se consumer. Elles disparaîtront avec l'usage.
- Avec le gaz propane, il est normal qu'il y ait un peu de jaune dans le cône primaire.
- La flamme doit brûler tout autour du chapeau du brûleur. Si ce n'est pas le cas, assurez-vous que le chapeau est bien posé sur la base et que les orifices ne sont pas bouchés.
- La flamme doit être stable, ne pas voltiger ni faire de bruit excessif.

Récipients recommandés

▲ MISE EN GARDE

Pour éviter tout risque de dommages sérieux à l'appareil ou à un récipient, observez les consignes suivantes:

- Les grands récipients, les plaques à biscuits, etc. ne doivent pas être utilisés sur la surface de cuisson.
- Placez les grandes casseroles de façon décalée lorsque vous utilisez la surface de cuisson.

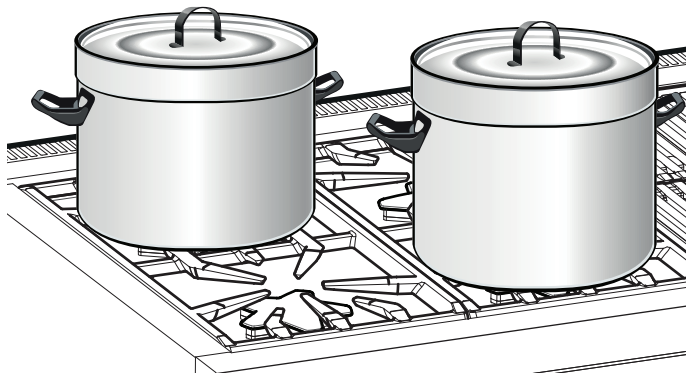


Figure 12 : Placez les grandes casseroles de façon décalée

- Choisissez une casserole dont la base correspond au diamètre de la flamme. La flamme doit être égale ou légèrement plus petite que la base du récipient. Des récipients surdimensionnés ou sous-dimensionnés nuisent aux résultats de la cuisson. Une base d'un diamètre de 5½ po (14 cm) est généralement la plus petite taille conseillée.
- Évitez d'utiliser un réglage de flamme intense lors de l'utilisation d'un poêlon plus grand que la grille ou qui occupe plus que l'espace d'un seul brûleur, comme une plaque, pour de longues périodes. Cela peut générer une mauvaise combustion et des vapeurs nocives.
- L'assise du récipient est un facteur important de stabilité et d'uniformité de la cuisson. La poignée ne doit pas être plus lourde que le récipient, car celui-ci pourrait pencher sur un côté. Le récipient doit reposer bien à plat sur la grille sans se balancer ni être instable.

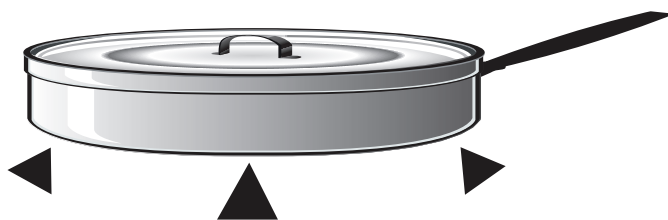


Figure 13 : Récipient stable

- Les aliments enveloppés dans du papier aluminium ne doivent pas être placés directement sur la grille du brûleur, car l'aluminium peut fondre pendant la cuisson.
- Ne laissez pas du plastique, du papier ou du tissu entrer en contact avec une grille de brûleur chaude. Ils pourraient fondre ou s'enflammer.
- Ne laissez jamais une casserole cuire à sec. Vous pourriez endommager la casserole et la surface de cuisson.
- Des récipients de qualité professionnelle à poignée métallique sont recommandés, car les poignées en plastique risquent de fondre ou de se déformer si la flamme déborde du récipient. Des récipients de qualité professionnelle sont en vente dans les magasins de fournitures pour restaurant et dans les boutiques gastronomiques. Tous les récipients utilisés doivent posséder les caractéristiques suivantes : bonne conductivité de la chaleur, bonne assise, dimensions adéquates du diamètre de la base, base lourde et fond plat, et couvercle bien adapté.
- Pour de meilleurs résultats de cuisson, la flamme ne doit pas déborder du fond de la casserole.
- L'aluminium et le cuivre sont des matériaux qui conduisent la chaleur rapidement et uniformément. Le fond des récipients est souvent fabriqué avec ces métaux. Ils peuvent également être insérés entre des couches d'acier inoxydable.
- Un fond plat et lourd est plus stable lorsque chauffé. Les casseroles déformées, légères et bosselées ne permettent pas une cuisson uniforme. Chauffez et refroidissez les casseroles graduellement pour éviter les changements soudains de température, qui peuvent déformer les casseroles. Ne mettez pas d'eau froide dans une casserole chaude.

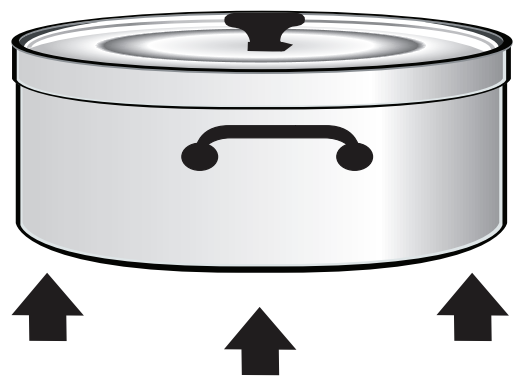


Figure 14 : Récipient à fond plat

- Un couvercle adapté au diamètre d'un récipient raccourcit le temps de cuisson et permet l'utilisation de réglages plus bas.

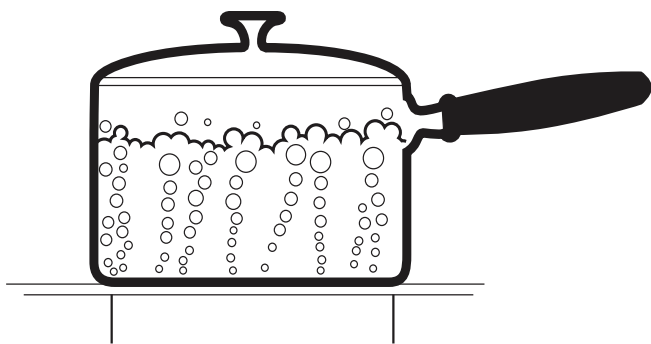


Figure 15 : Récipient à fond plat

Récipients pour spécialités

Woks

- Les woks à fond plat ou rond avec un anneau de support peuvent être utilisés sur tous les modèles. Un anneau de support doit être utilisé avec les woks à fond rond. Le wok et l'anneau à wok en fonte revêtu d'une couche de porcelaine sont vendus séparément.

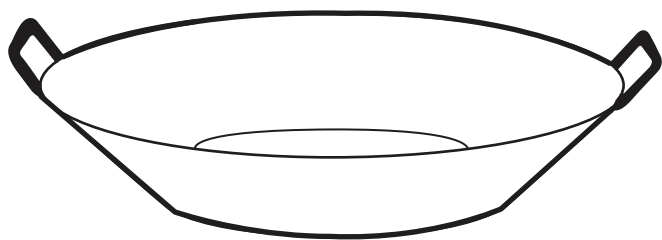


Figure 16 : Wok à fond plat

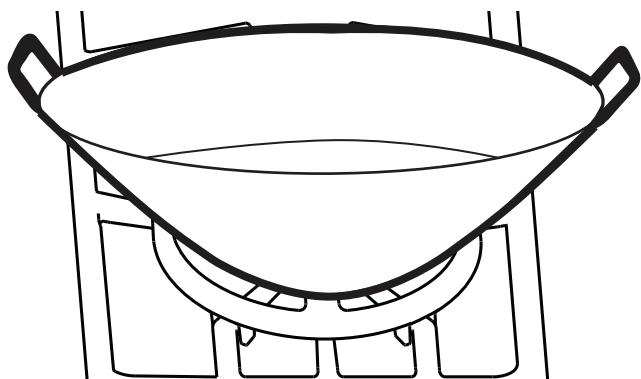


Figure 17 : Wok à fond rond dans un anneau de support

Cocottes et marmites

- Choisissez une base dont le diamètre dépasse au maximum de 2 po (51 mm) de la grille.

Bain-marie de dimensions standards

- 21 à 22 pintes (19,95 à 20,9 litres) avec une base de 11-12 po (279 à 305 mm) et une hauteur de 9 à 11 po (229 à 279 mm).

Cocotte-Minute de dimensions standards

- 8 à 22 pintes (7,6 à 20,9 litres) avec une base de 8 à 11 po (20,3 à 27,9 cm) et une hauteur de 6,5 à 12 po (165 à 305 mm).

Conseils d'utilisation:

- Il est préférable d'utiliser un récipient à fond plat qu'un récipient à fond concave, convexe ou ondulé.
- Si vous utilisez deux cocottes en même temps, placez-les sur des brûleurs décalés. Ne bloquez pas la circulation d'air autour des brûleurs. La flamme a besoin d'une certaine quantité d'air pour bien brûler.
- Mettez un couvercle sur la cocotte lorsque vous portez son contenu à ébullition.
- Quand le contenu bout au réglage HI, baissez la flamme le plus possible pour maintenir à ébullition ou maintenir la pression.
- La cuisson à la cocotte produit de grandes quantités de vapeur. Faites attention pour ne pas vous brûler.

Conseils de cuisson

Consultez le tableau des *page 67* pour vous guider. Les réglages à utiliser varient selon l'ustensile choisi et la température initiale des aliments.

Dans le tableau, le « Réglage final » est séparé pour les brûleurs standards et les brûleurs ExtraLow^{mc}. Selon le cas, ce réglage sera identique ou différent.

Le réglage ExtraLow des brûleurs STAR^{mc} peut être un réglage de cuisson ou de maintien de température.

Augmentez ou diminuez la flamme progressivement. Laissez le temps au récipient et aux aliments de réagir au nouveau réglage.

Conseils de cuisson – Brûleurs de la table de cuisson

ALIMENTS	RÉGLAGE INITIAL	RÉGLAGE FINAL – BRÛLEURS STANDARDS	RÉGLAGE FINAL – BRÛLEURS EXTRALOW ^{MC} (XLO)
BOISSONS Cacao	MED – Chauffer le lait, couvrir	SIM – Finir de chauffer	XLO – Maintenir au chaud, couvrir
PAIN Pain doré Crêpes Sandwiches grillés	MED – Préchauffer le poêlon	SIM à MED – cuire	Identique aux brûleurs standards
BEURRE À fondre	SIM – pour commencer à faire fondre		Laisser fondre pendant 5 à 10 minutes
CÉRÉALES Semoule de maïs, gruau, avoine	HI – Couvrir, porter l'eau à ébullition, ajouter les céréales	SIM à MED – terminer la cuisson selon les instructions sur l'emballage.	XLO – Pour maintenir la température, couvrir*
CHOCOLAT À fondre	XLO – peut être remué pour faire fondre plus vite		XLO – Laisser fondre pendant 10 à 15 minutes. XLO – Pour maintenir la température
DESSERTS Bonbons	SIM à MED – cuire selon la recette	SIM à MED	Identique aux brûleurs standards
Pouding et mélange pour garniture à tarte	SIM à MED SIM – suivre les indications sur l'emballage	SIM	Identique aux brûleurs standards
Pudding	SIM à MED SIM – Faire bouillir le lait	SIM	Identique aux brûleurs standards
OEUFS À la coque	MED HI – couvrir les œufs avec de l'eau, couvrir, porter l'eau à ébullition		XLO – 3 à 4 minutes pour œufs mollets; 15 à 20 minutes pour œufs durs
Frits, brouillés	SIM à MED – Faire fondre le beurre, ajouter les œufs	SIM – pour terminer la cuisson	Identique aux brûleurs standards
Pochés	HI – Porter à ébullition, ajouter les œufs	SIM à MED – pour terminer la cuisson	Identique aux brûleurs standards
VIANDE, POISSON, VOLAILLES Bacon, Saucisses, galettes	HI – Jusqu'à ce que la viande commence à grésiller	SIM à MED – pour terminer la cuisson	Identique aux brûleurs standards
Braiser : steak suisse, rôti à la cocotte, ragoût	MED HI – Faire fondre la graisse, faire revenir à MED HI à HI , ajouter du liquide, couvrir		XLO Laisser mijoter jusqu'à ce que la viande soit tendre
Grillade rapide au poêlon; steaks pour déjeuner	MED HI – préchauffer le poêlon	MED à MED HI – frire rapidement au poêlon	Identique aux brûleurs standards
Friture : poulet	MED HI – Faire chauffer l'huile puis faire dorer à MED	SIM – couvrir pour terminer la cuisson	Identique aux brûleurs standards
Grande friture : crevettes	MED HI – Faire chauffer l'huile	MED à MED HI – pour maintenir la température	Identique aux brûleurs standards

ALIMENTS	RÉGLAGE INITIAL	RÉGLAGE FINAL – BRÛLEURS STANDARDS	RÉGLAGE FINAL – BRÛLEURS EXTRALOW ^{MC} (XLO)
Grillade au poêlon : côtelettes d'agneau, steaks minces, hamburgers, saucisses en chapelet	MED HI – Préchauffer le poêlon	MED – pour brunir la viande	Identique aux brûleurs standards XLO – pour maintenir
Pocher : poulet, entier ou morceaux, poisson	MED HI – Couvrir, porter à ébullition		Pour terminer la cuisson
Faire mijoter : poulet à l'étouffée, corned-beef, langue, etc.	HI – Couvrir, porter à ébullition		XLO - Pour mijoter lentement XLO - Pour maintenir la chaleur, couvrir
PÂTES Macaronis, nouilles, spaghettis	HI – Porter l'eau à ébullition, ajouter les pâtes	MED à HI – pour maintenir à ébullition	Identique aux brûleurs standards
COCOTTE-MINUTE Viande	MED HI à HI – faire monter la pression	SIM à MED – maintenir la pression	Identique aux brûleurs standards
Légumes	HI – faire monter la pression	MED SIM à MED – maintenir la pression	Identique aux brûleurs standards
RIZ	HI – Couvrir, porter l'eau et le riz à ébullition.	Réduire la chaleur à SIM . Couvrir et faire cuire jusqu'à ce que l'eau soit absorbée	Faire cuire selon les instructions du sachet XLO – Pour maintenir la chaleur, couvrir
SAUCES Sauce tomate	MED HI – cuire la viande/les légumes selon la recette	SIM pour faire mijoter	XLO – laisser mijoter sans couvercle pour que la sauce épaississe
Sauce blanche, à la crème, béarnaise	MED – Faire fondre la graisse, suivre la recette	SIM – pour terminer la cuisson	XLO – Pour maintenir la chaleur, couvrir
Hollandaise	XLO		XLO – Pour maintenir la chaleur, réglage le plus bas
SOUPES, BOUILLONS	HI – Couvrir, porter à ébullition	SIM pour faire mijoter	Mijoter à XLO – Pour maintenir la chaleur, couvrir
LÉGUMES Frais	HI – Couvrir, porter l'eau et les légumes à ébullition	SIM à MED – faire cuire 10 minutes ou jusqu'à ce qu'ils soient tendres	Identique aux brûleurs standards XLO – pour maintenir la chaleur, couvrir
Congelés	HI – Couvrir, porter l'eau et les légumes à ébullition	SIM à MED – faire cuire selon les instructions du paquet	Identique aux brûleurs standards
Grande friture	HI – Faire chauffer l'huile	MED à MED HI – pour conserver la température de friture	Identique aux brûleurs standards
Sautés	MED HI – Faire chauffer l'huile ou faire fondre le beurre, ajouter les légumes	SIM à MED – laisser cuire jusqu'au point de cuisson désiré	Identique aux brûleurs standards
Revenus à la poêle	HI – Faire chauffer l'huile, ajouter les légumes	HI à HI – pour terminer la cuisson	Identique aux brûleurs standards

Utilisation de la plaque chauffante électrique

(disponible avec certains modèles)

Description

La plaque chauffante encastrée est faite d'aluminium de qualité professionnelle avec un fini antiadhésif. Cela donne une surface facile à nettoyer où la chaleur se répand de façon uniforme.

Une planche à découper en érable, un couvercle en acier inoxydable et un gril avec revêtement en aluminium sont disponibles comme accessoires et peuvent être achetés séparément. La planche à découper en érable et le couvercle en acier inoxydable sont conçus pour s'ajuster à la surface lorsque la plaque n'est pas utilisée. Le gril avec revêtement en aluminium est conçu pour remplacer la plaque chauffante. Consultez les instructions de la plaque chauffante pour obtenir de plus amples détails.

La planche à découper et le couvercle doivent être enlevés avant d'utiliser la plaque chauffante.

⚠ AVERTISSEMENT

L'élément de la plaque chauffante reste chaud après utilisation. Prévoyez suffisamment de temps pour que tous ses composants refroidissent avant de les nettoyer.

⚠ MISE EN GARDE

Pour éviter tout risque de blessure, n'utilisez **JAMAIS** la plaque chauffante sans sa plaque. N'utilisez **JAMAIS** la plaque chauffante d'une manière non indiquée dans le guide d'utilisation et d'entretien.

N'utilisez jamais la plaque d'une façon autre que ce qui est indiqué dans le guide d'utilisation et d'entretien.

Le plateau (ou le gril) doit toujours être en place lors de l'utilisation de la plaque chauffante.

- La tension d'alimentation nominale de l'élément de la plaque chauffante est de 120 VAC, 1630 watts.
- La plaque chauffante est ajustée électroniquement aux températures indiquées sur les boutons, de 150°F à 500°F (66°C à 260°C).
- Il n'y a pas de réglages fixes sur les boutons.
- Appuyez et tournez les boutons dans le sens horaire pour obtenir le réglage désiré.

Préparation de la plaque

Assurez-vous que la plaque chauffante est bien ajustée en versant deux cuillerées d'eau à l'arrière de la plaque. L'eau devrait lentement couler vers les collecteurs de graisse. Autrement, ajustez les deux vis situées sous la plaque, à l'arrière de celle-ci. Commencez par dévisser les vis d'un demi-tour. Les ajustements subséquents devraient se faire par quart de tour jusqu'à ce que l'eau coule dans les collecteurs de graisse (*Figure 18*).

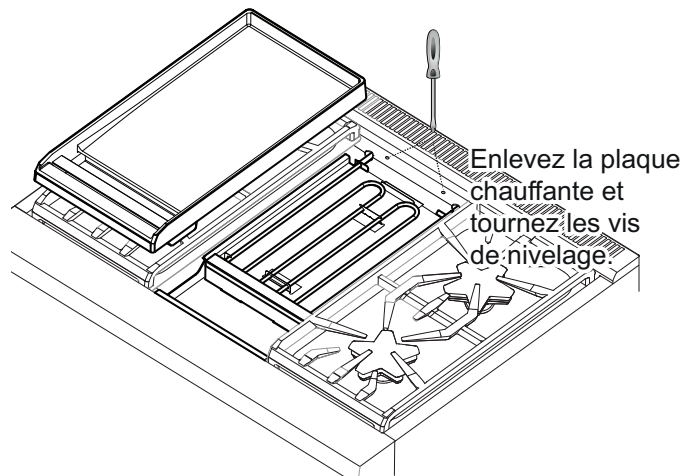


Figure 18 : Vis de nivelage de la plaque chauffante

Avant d'être utilisée, la plaque chauffante doit être lavée à l'eau chaude savonneuse, puis rincée à l'eau claire. La plaque peut être utilisée sans beurre, margarine ou huile. Toutefois, une petite quantité peut être utilisée pour donner du goût aux aliments.

N'utilisez PAS des ustensiles métalliques sur la surface de la plaque chauffante. Prenez garde de ne pas endommager la surface avec les ustensiles. Ne coupez pas directement d'aliments sur la plaque chauffante.

AVIS : Le rendement de la plaque chauffante ou du gril peut varier si la circulation d'air près de l'appareil est trop élevée. Une circulation d'air excessive pourrait provenir d'un ventilateur de plafond ou d'un appareil de climatisation soufflant sur la surface de cuisson. Cela pourrait prolonger le temps d'échauffement ou faire en sorte que la température de la plaque chauffante ne corresponde pas à ce que le réglage des boutons de commande indique.

NOTE : Une hotte dûment installée n'est pas considérée comme une source de circulation d'air excessive.

Conseils de cuisson plaque chauffante

ALIMENT	RÉGLAGE
Œufs	325°F – 350°F (160°C – 180°C)
Bacon, saucisses à déjeuner	450°F – 475°F (230°C – 245°C)
Sandwichs grillés	375°F – 400°F (190°C – 200°C)
Poitrines de poulet désossées	425°F – 450°F (220°C – 230°C)
Côtelettes de porc désossées de 1 po (25,4 mm) d'épaisseur	425°F – 450°F (220°C – 230°C)
Steaks de 1 po (25,4 mm) d'épaisseur	450°F – 475°F (230°C – 245°C)
Boulettes de bœuf haché de 6 onces	450°F – 475°F (230°C – 245°C)
Boulettes de dinde hachée, 6 onces	450°F – 475°F (230°C – 245°C)
Hot Dogs	350°F – 375°F (180°C – 190°C)
Tranches de jambon de 1/2 po (12,7 mm) d'épaisseur	350°F – 375°F (180°C – 190°C)
Crêpes, pain doré	400°F – 425°F (200°C – 220°C)
Pommes de terre, pommes de terre rissolées	400°F – 425°F (200°C – 220°C)

* Pour garantir une cuisson uniforme, assurez-vous que l'épaisseur des aliments est uniforme.

Utilisez le réglage de température le plus bas possible. Vous pourriez avoir à modifier les recettes, car le revêtement antiadhérent brunit et saisit les aliments à de basses températures.

Recommandations pour le nettoyage

- N'immergez **JAMAIS** une plaque chauffante chaude dans l'eau froide. La plaque d'aluminium pourrait gondoler ou se fissurer.
- Ne nettoyez **AUCUNE** partie du gril ou de la plaque chauffante dans le four en mode autonettoyage.

- Prenez garde de ne pas endommager la surface avec les ustensiles.
 - Ne coupez pas directement d'aliments sur la plaque chauffante.
 - Ne pas utiliser des ustensiles en métal.
 - Utilisez des ustensiles de plastique ou de bois pour éviter d'égratigner la surface antiadhérente.
- Vous pouvez laver la plaque chauffante au lave-vaisselle. Cependant, nous recommandons de la laver à la main.

Plateau à graisse de la plaque chauffante

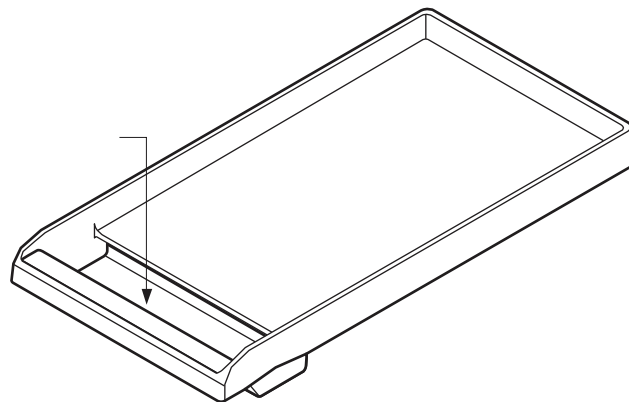


Figure 19 : Plateau à graisse

- Nettoyez le plateau à graisse après chaque utilisation. Lorsque vous le retirez en l'inclinant, faites attention pour ne pas que son contenu se déverse.
- Le plateau de la plaque chauffante et son plateau à graisse sont lavables au lave-vaisselle.
- Lorsqu'elle a refroidi, versez la graisse dans un contenant résistant à la graisse avant de la jeter.

Cuisson sur la plaque chauffante

1. Tournez le bouton à la température de cuisson appropriée pour préchauffer la plaque chauffante.
2. Préchauffez-la jusqu'à ce que le témoin de la plaque s'éteigne.
3. Ajoutez du beurre, de la margarine, de l'huile ou de la graisse végétale, si désiré.

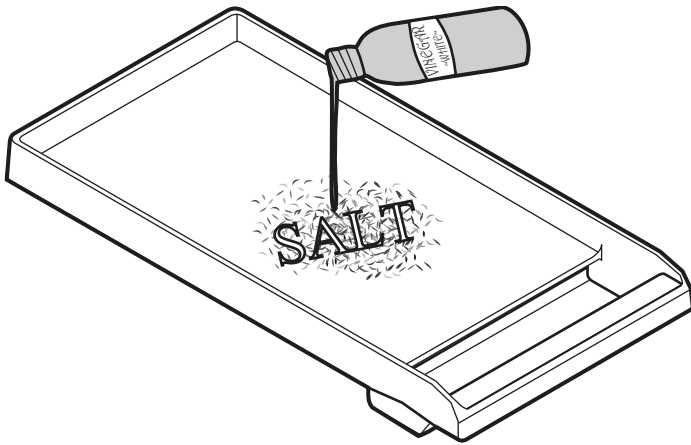
Instructions de graissage de la plaque chauffante

Si la plaque chauffante perd ses propriétés antiadhérentes au fil du temps, suivez les instructions suivantes pour les lui redonner. Pour assurer le rendement optimal et la longévité de votre plaque chauffante, suivez ces instructions simples de nettoyage et de graissage.

Préparation de la plaque chauffante pour le graissage

La plaque chauffante doit être propre et tous les résidus doivent être enlevés avant de procéder au graissage.

1. Utilisez un mélange de gros sel avec un peu de vinaigre blanc pour déloger les résidus de la plaque chauffante.

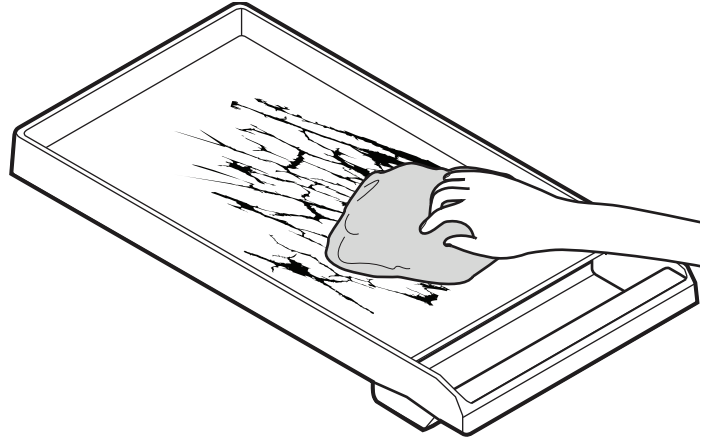


2. Rincez en profondeur avec de l'eau claire.
3. Séchez totalement la plaque chauffante.

Graissage de la plaque chauffante

Le graissage est un processus par lequel une couche de graisse animale ou d'huile végétale est appliquée et cuite sur un ustensile de cuisson. La couche d'huile fournit une surface antiadhérente.

1. Utilisez un essuie-tout pour appliquer une couche mince et uniforme de lard, de Crisco^{mc}, ou d'huile d'olive sur la surface de la plaque chauffante.



2. Faites cuire la plaque chauffante à 350 °F pendant une heure.
3. Retirez la plaque chauffante du four et laissez-la refroidir à la température ambiante.
4. Appliquez une deuxième couche de graisse ou d'huile et faites cuire la plaque chauffante à 350 °F pendant une autre heure.
5. Répétez le processus au moins une autre fois pour un total de trois couches d'huile ou de graisse.

Après le graissage

1. Après avoir fait cuire votre plaque chauffante, laissez-la refroidir et nettoyez-la avec un chiffon humide. Laissez-la sécher.
2. Ajoutez une mince couche d'huile ou de graisse avant d'entreposer la plaque chauffante dans un endroit frais et sec.
3. Ce processus redonnera à la plaque chauffante ses propriétés antiadhérentes. Le rendement de la plaque chauffante s'améliorera avec d'autres graissages.
4. Pour dégraisser la plaque chauffante avant de procéder à son graissage, utilisez un mélange de sel et de vinaigre.

Utilisation du gril électrique

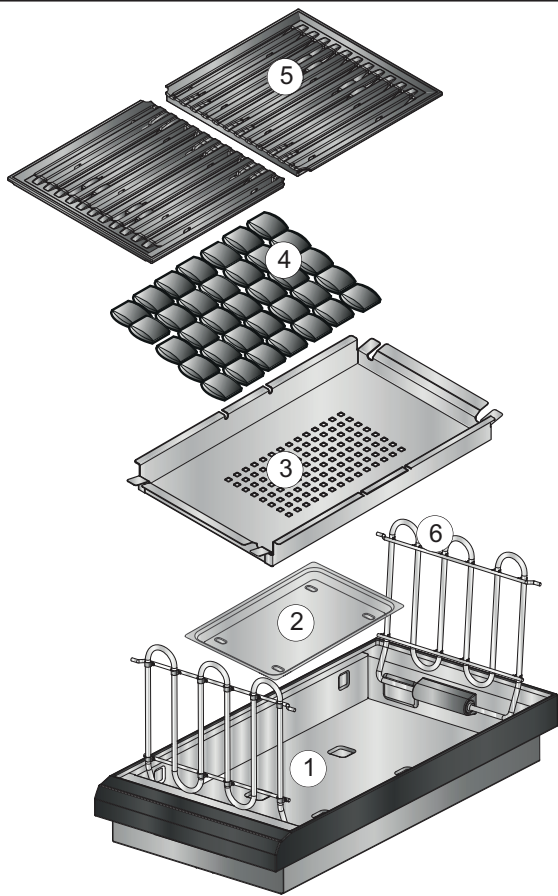
(disponible sur certains modèles)

Description

Les grilles du gril encastrable sont faites de fonte de qualité professionnelle. Ce métal fait en sorte que les grilles répartissent uniformément la chaleur et sont faciles à nettoyer.

Il est possible d'installer une plaque chauffante de fonte antiadhérente (*PAGRIDDLEN*), vendue séparément. Consultez les instructions de l'accessoire de la plaque chauffante pour obtenir plus de détails.

Assemblage du gril



1. Boîtier du gril
2. Plateau à graisse
3. Panier des briquettes de céramique
4. Briquettes de céramique
5. Grilles du gril (x2)
6. Éléments (x2)

1. Effectuez la rotation des éléments (6) et enlevez le briquettes de céramique (3) se trouvant à l'intérieur du boîtier du gril (1).
2. Installez le plateau à graisse (2) sous le boîtier du gril (1). (Le plateau à graisse est emballé dans la grande boîte en carton qui se trouvait sur le dessus de la cuisinière.) Alignez les saillies du plateau à graisse (2) avec les cavités situées sous le boîtier (1).
3. Mettez le briquettes de céramique (4) dans le boîtier du gril (1).
4. Disposez les briquettes de céramique (4) dans le panier à briquettes (3), en une seule couche, de façon à ce que chacune d'elles touche les autres briquettes adjacentes. Les briquettes de céramique ne doivent pas entrer en contact avec les éléments chauffants.
5. Rabattez les deux éléments chauffants du gril vers le bas (6). Les éléments chauffants du gril doivent être à plat. Les supports doivent reposer à l'intérieur des crans latéraux.
6. Installez les grilles du gril (5). Assurez-vous que les grilles sont installées de niveau dans le boîtier du gril (1).

⚠ AVERTISSEMENT

- Pour éviter tout risque de blessure, ne faites **JAMAIS** fonctionner le gril s'il n'y a pas de grilles ou de plaque chauffante installées.
- Ne laissez **JAMAIS** le gril sans surveillance lorsque vous cuisinez.
- Faites attention lorsque vous utilisez de l'huile et de la graisse. Lorsqu'ils sont surchauffés, les huiles et la graisse peuvent provoquer des incendies.
- N'utilisez **PAS** de copeaux de bois, pierres de lave, ou de briquettes de charbon. N'utilisez que les briquettes de céramique (*PABRICKBKN*) recommandées.
- N'utilisez **PAS** de plats, casseroles, poêlons ou autre ustensile sur le gril.
- **N'utilisez jamais du papier d'aluminium pour couvrir les grilles ou envelopper le gril.** Vous pourriez endommager le gril et causer un incendie si de la chaleur reste emprisonnée.
- Vérifiez le plateau à graisse avant chaque utilisation. Une trop grande quantité de graisse dans le plateau peut causer un risque d'incendie.
- Si des flammes apparaissent, nettoyez le gras accumulé sur les grilles, le plateau à graisse, le panier des briquettes de céramique et les autres surfaces.
- L'accumulation de graisse favorise la formation de flammes et de fumée pendant la cuisson.
- Vous devez remplacer les briquettes de céramique lorsqu'elles sont noires, ce qui signifie qu'elles sont saturées de gras. Elles peuvent alors générer beaucoup de fumée ou prendre feu pendant le fonctionnement de l'appareil.

- Lavez les grilles du gril avec de l'eau chaude savonneuse, puis rincez-les à l'eau claire avant chaque utilisation.

IMPORTANT :

- Si des flammes se forment pendant l'utilisation du gril, éteignez l'appareil et retirez les aliments. Prenez garde de ne pas vous blesser lorsque vous retirez les aliments.
- Souvent, les flammes s'éteignent d'elles-mêmes en quelques minutes une fois que les accumulations de graisse se sont consumées. Ne laissez pas le gril sans surveillance avant que les flammes ne se soient éteintes. Vous pouvez étouffer les flammes en les saupoudrant d'une généreuse couche de bicarbonate de soude ou de sel.
- Si des flammes se forment, vous devriez remplacer les pierres à lave ou les briquettes de céramique et nettoyer le gras accumulé sur les grilles, le plateau à graisse, le panier briquettes de céramique et les autres surfaces avant d'utiliser à nouveau le gril. Les accumulations de graisse favorisent la formation de flammes et de fumée pendant la cuisson.
- Séchez les aliments humides avant de les mettre sur le gril.
- Plus un aliment est humide, plus il est susceptible de produire de la fumée.
- Lorsque vous utilisez le gril, la graisse qui s'échappe des aliments peut s'enflammer brièvement.

AVERTISSEMENT

POUR ÉVITER TOUT RISQUE DE BRÛLURE :

- Utilisez les ustensiles appropriés avec de longues poignées qui vous permettent de manier les aliments loin de la chaleur et des flammes.
- **NE** portez **PAS** de vêtements amples lorsque vous cuisinez.
- Ne laissez jamais le gril sans surveillance lorsque vous cuisinez.
- Après chaque utilisation, enlevez les accumulations de graisse sur la surface du gril et dans les plateaux à graisse pour réduire les risques d'incendie. Vous devriez également nettoyer régulièrement la hotte et les surfaces adjacentes au gril selon les recommandations du manuel d'utilisation.
- Gardez un extincteur à portée de la main.

- Les commandes électroniques du gril permettent d'ajuster l'intensité de LOW à HIGH. Les boutons ne sont pas munis de réglages fixes.
- Les deux éléments chauffants du gril peuvent être ajustés séparément. Cela vous permet de faire griller des aliments à deux températures différentes en même temps. Aussi, vous pouvez utiliser une partie pour faire griller les aliments et l'autre partie pour les garder chauds.

3. Lors de la première utilisation, faites chauffer le gril pendant environ dix minutes pour éliminer les résidus de fabrication et libérer les mauvaises odeurs.
4. Pour obtenir de meilleurs résultats, préchauffez le gril avant de faire cuire des aliments.

ATTENTION

Nettoyez le gril après chaque utilisation. Laissez à l'appareil le temps de refroidir avant de le nettoyer.

Conseils de grillade

- Préchauffez toujours le gril. Lorsque vous cuisinez à la puissance maximale, préchauffez le gril à HIGH pendant dix minutes. Lorsque vous cuisinez à intensité moyenne, préchauffez le gril à HIGH pendant cinq minutes, puis réduisez la température une fois que les aliments sont sur le gril.
- Faites tremper les brochettes de bois dans de l'eau pendant au moins 20 minutes avant de les mettre sur le gril.
- Avant de faire griller des aliments, vous pouvez les badigeonner d'huile résistant à la chaleur (comme de l'huile d'arachides) ou les faire mariner. Assurez-vous de ne pas utiliser trop d'huile ou de marinade, sans quoi les aliments pourraient prendre feu et produire beaucoup de fumée.
- Déposez les aliments directement sur les grilles du gril. N'utilisez pas de papier d'aluminium ou de plateaux.
- La viande salaisonnée, comme le jambon ou les côtelettes de porc fumées, n'est pas faite pour être grillée. Des composés chimiques mauvais pour la santé peuvent se former lors de leur cuisson sur le gril.
- Pour éviter que les aliments ne s'enflamment, enlevez l'excédent de gras avant de les faire griller.
- N'utilisez PAS de produits nettoyants sur les éléments. S'il y a de la graisse sur les éléments, laissez-leur le temps de brûler.
- Pour absorber le gras de la plaque chauffante, saupoudrez-la avec du gros sel après chaque utilisation.

Fonctionnement du gril

1. Avant d'allumer l'appareil, assurez-vous qu'il y a des briquettes de céramique l'appareil et que les deux grilles du gril sont correctement installées.
2. Appuyez sur le bouton de réglage de température et tournez-le à la température souhaitée.

Recommandations pour la cuisson sur le gril

IMPORTANT :

- **VOUS NE DEVRIEZ PAS UTILISER LE GRIL SANS UNE VENTILATION ADÉQUATE.**
- **Vous ne devriez pas préparer d'aliments à forte teneur en gras sur un gril intérieur. Le fait de faire griller des aliments à forte teneur en gras (comme certains types de bœuf haché, saucisses, etc.) augmente les possibilités de formation de fumées et de flammes.**

ALIMENT*	RÉGLAGE**	TEMPS DE CUISSON (MINUTES)	NOTES
BŒUF			
Hamburgers, ¾" (2 cm) (à point)	HIGH	12 – 14	Tourner une fois que du jus apparaît à la surface.
Steak d'ailon, 1½" (4 cm) (à point)	HIGH	20 – 22	Enlever l'excédent de graisse.
Faux-filet ou surlonge, 1" (3 cm) (à point)	HIGH	10 – 12	Enlever l'excédent de graisse.
Brochettes, steak (à point)	HIGH	24 – 28	Tourner de temps en temps.
PORC			
Côtelettes de porc, ¾" (2 cm)	HIGH	16 – 20	Enlever l'excédent de graisse.
Saucisses ou Bratwurst	MED HIGH	16 – 20	Percer avant de griller.
Hot Dogs	HIGH	6 – 8	Placer horizontalement sur le gril.
VOLAILLE			
Cuisses et pilons	MED HIGH	34 – 38	Tourner de temps en temps, enlever l'excédent de peau.
Ailes de poulet, entières	MED HIGH	18 – 22	Tourner de temps en temps.
Poitrines de poulet sans os, ½" (1 cm)	MED HIGH	20 – 24	Couper en filets de la même épaisseur avant de faire cuire.
Brochettes, poulet	HIGH	30 – 33	Tourner de temps en temps.
FRUITS DE MER			
Darnes, 2" (6 cm)	MED HIGH	18 – 20	Badigeonner d'huile avant de faire griller.
Filets de poisson, ¾" (2 cm)	MED HIGH	16 – 20	Badigeonner d'huile avant de faire griller.
Brochettes de crevettes	MED HIGH	10 – 14	Tourner de temps en temps.
FRUITS ET LÉGUMES FRAIS			
Champignons portobello	HIGH	8 – 10	Badigeonner d'huile.
Poivrons, quartiers	HIGH	8 – 10	Tourner de temps en temps.
Aubergine en tranches, ½" (1 cm)	HIGH	8 – 10	Badigeonner avec un peu d'huile.
Tomates, coupées en deux	HIGH	8 – 10	Badigeonner d'huile.
Ananas en tranches	HIGH	4 – 6	—
Pêches, coupées en deux	HIGH	4 – 6	—
AUTRE			
Pains à hot dog ou hamburger	MED HIGH	4 – 6	Badigeonner de beurre.
Tofu ferme en tranches	MED HIGH	8 – 12	Mettre en brochette pour une grillade facile.
* Pour une cuisson uniforme, veuillez bien répartir les aliments sur la surface de cuisson.			
** Les réglages apparaissant dans le tableau ne devraient être considérés que comme des lignes directrices puisque la quantité de chaleur requise peut varier selon le type et l'état des aliments.			

Utilisation du Four

Fonctionnement du four

Position des grilles pour la cuisson

Les positions des grilles de four sont numérotées comme un ascenseur. Le numéro un est la position la plus basse et le numéro cinq est celle la plus haute.

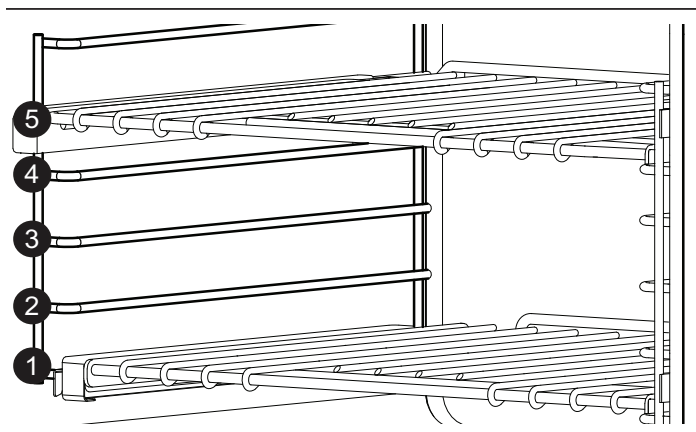


Figure 20 : Four principal positions des grilles

NOTE : Les recommandations relatives à la position des grilles s'appliquent à la cuisson au four; toutefois, si une recette suggère une position de grille différente, vous devriez suivre la recette ou les instructions de l'emballage.

Four auxiliaire (modèle de 48 po)

Niveau	Mode BAKE
#3	-- Les meilleurs résultats s'obtiennent avec la position de grille numéro 3.
#2	-- Pour des plats plus hauts. -- L'utilisation de la position numéro 2 pour les tartes permettra d'obtenir une pâte croustillante sans que le dessus soit trop cuit.

Cuisson avec une seule grille – four principal

Niveau	Mode BAKE
#3	-- Les meilleurs résultats s'obtiennent avec la position de grille numéro 3.
#2	-- Si l'aliment occupe beaucoup de place, comme un gâteau des anges. -- Les tartes cuisent mieux à la position 2. Le fond de la pâte devient ainsi croustillant sans que le dessus de la tarte ne soit trop doré. -- Pour faire rôtir de gros morceaux de viande ou de volaille, comme une côte de bœuf ou une dinde.

Cuisson avec deux grilles – principal du four

Niveau	Mode BAKE or CONVEC BAKE
#2 & #4 mixtes #3 & #5 gaz	-- Casserole

Cuisson avec trois grilles dans le four principal

Pour la cuisson avec trois grilles, le mode Convection Bake (Cuisson par convection) doit être utilisé.

Optimisation des résultats

Condensation

Il est normal qu'une certaine quantité d'humidité s'évapore des aliments pendant la cuisson. La quantité dépend du contenu d'humidité de l'aliment. L'humidité se condense sur les surfaces plus froides que l'intérieur du four, comme le panneau de commande.

- Réduisez au maximum le temps d'ouverture de la porte.
 - Utilisez la minuterie intégrée.
 - Utilisez la lumière intérieure du four.
- Utilisez le récipient recommandé dans la recette.
- Sortez la ou les lèchefrites du four. Une lèchefrite sans aliments nuira au dorage et à la cuisson.
- Le dorage dépend du type d'ustensile utilisé :
 - Pour obtenir des croûtes tendres et légèrement dorées, utilisez des ustensiles antiadhésifs, anodisés ou en métal brillant.
 - Pour des croûtes croustillantes plus dorées, utilisez des ustensiles métalliques antiadhésifs, anodisés ou noirs étamés ou encore en verre convenant aux fours. Vous pourriez avoir à diminuer la température de cuisson de 25°F (14°C).

Plats pour le four

- Plats en métal (avec ou sans revêtement antiadhésif), verre résistant à la chaleur, vitrocéramique, terre cuite ou autres récipients allant au four.
- Les plaques à biscuits adaptées ont un petit rebord d'un seul côté. Les tôles épaisses ou celles qui ont plus d'un côté peuvent modifier le temps de cuisson.

Placement des plats

- Laissez un espace d'au moins 25 mm (1 po) entre les plats et les parois du four pour que la chaleur puisse circuler.

- Espacez les plats de sorte qu'ils ne se trouvent pas l'un au-dessus de l'autre. Laissez 38 mm (1½ po) au-dessus et en dessous de chaque plat.

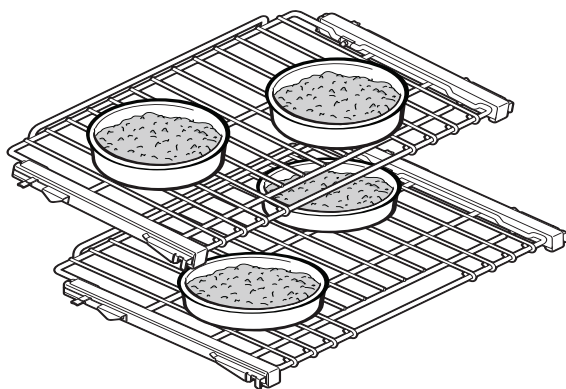
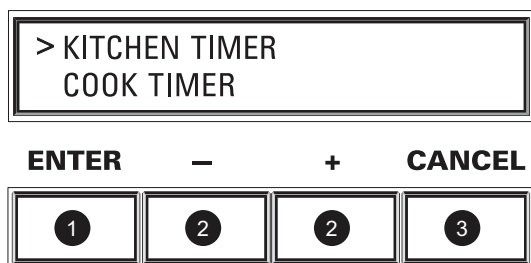


Figure 21 : Placement des plats

Commandes pour le réglage du four



- La touche **ENTER** confirme la sélection.
- La touche (-) augmente le temps ou la température, et la touche (+) les diminue. Ces touches servent également à choisir l'une des fonctions du menu.
- La touche **CANCEL** annule toutes les fonctions choisies.

Figure 22 : Commandes du four

Minuterie (Kitchen Timer)

La Minuterie peut être réglée jusqu'à 12 heures. Elle peut être utilisée même si la cuisinière est en marche et est indépendante de toutes les autres fonctions.

Minuterie de four (Cook Timer)

La Minuterie du four sert à éteindre mécaniquement le four lorsque le temps de cuisson désiré est complété. La Minuterie du four n'est disponible que pour les fonctions de cuisson au four, de cuisson par convection et de rôtissage. Elle ne peut fonctionner avec les fonctions de grilloir ou d'autonettoyage. La Minuterie du four peut être activée à tout moment durant le cycle de cuisson.

Pour régler la minuterie:

- Appuyez sur **ENTER**.
- Utilisez les touches « + » et « - » pour choisir la **MINUTERIE** ou la **MINUTERIE DU FOUR**.
- Appuyez sur **ENTER**.
- Utilisez les touches « + » et « - » pour choisir le temps désiré.
- Appuyez sur **ENTER**.
- Un bip est émis lorsque le temps s'est écoulé. Appuyez sur **CANCEL** pour éteindre le bip et la minuterie.

Note :

- La Minuterie du four ne peut être utilisée lors de l'utilisation d'une sonde thermique.
- Le réglage maximal de la Minuterie du four est de 12 heures.

Réglage pour cuisson au four/ cuisson par convection/ rôtissage

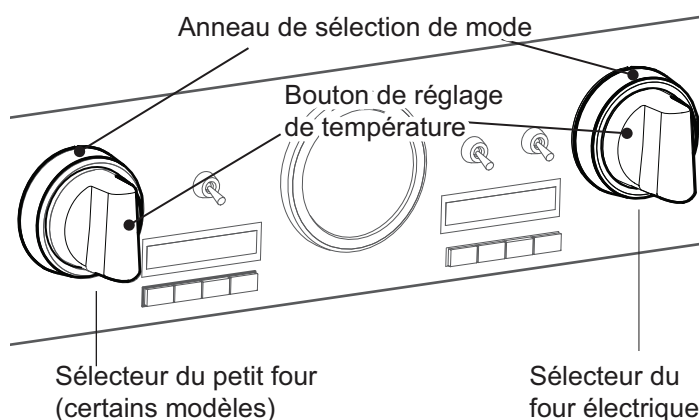


Figure 23 : Tableau de commande du modèle de 48 po

Réglage des fours

- Placez la grille à la position désirée et fermez la porte.
- Réglez l'anneau de sélection de mode à **BAKE** (cuisson au four), **CONVEC BAKE** (cuisson par convection) ou **ROAST** (rôtissage).
- Réglez le bouton de réglage de température à la température désirée.
 - Une fois que le bouton et l'anneau ont été ajustés au réglage désiré, l'afficheur indiquera « Preheating [] ... » avec le mode de cuisson choisi (par exemple, « BAKE ») et la température désirée (« 350°F »).
 - L'indicateur de température commencera à bouger vers le réglage de température désirée.

L'indicateur de température reflète le réglage de température.

- L'aiguille de l'indicateur de température se déplacera vers la nouvelle température choisie si le réglage de température est plus haut ou plus bas.
- **La jauge ne sert qu'à des fins de référence.**
- À mesure que le four se refroidit, l'indicateur de température baissera afin de refléter la température descendante du four.

4. Une fois que le four est préchauffé, placez-y les aliments à faire cuire.

Sonde Thermique (Probe)

La sonde thermique vous permet de mieux contrôler la façon dont vos aliments sont cuits en annulant automatiquement le mode de cuisson choisi lorsque la température désirée d'un plat, déterminée par l'utilisateur, est atteinte. La sonde donne la température actuelle de la viande à mesure qu'elle cuit.

Programmation de la sonde thermique

1. Dans le four principal, ou dans le petit four sur certains modèles, localiser de la sonde (Figure 24).

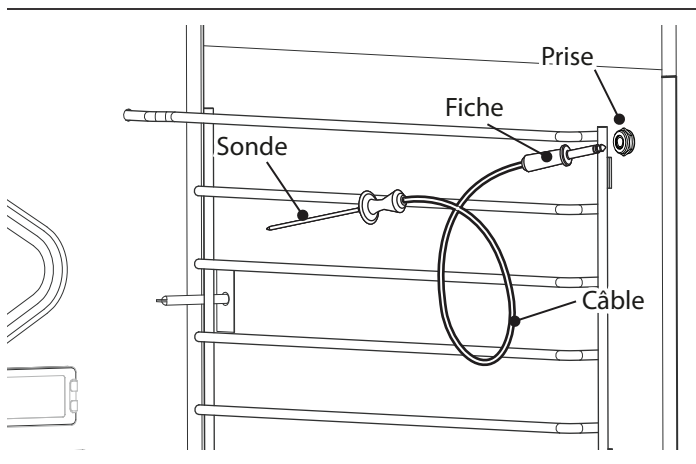


Figure 24 : Sonde thermique

2. Insérez le bout de la fiche dans la prise.
 - L'écran de commande affiche automatiquement le mot PROBE à une température par défaut de 120°F (49°C).
3. Insérez la pointe de la sonde dans la viande.
 - Insérez la sonde jusqu'à ce que sa pointe se trouve au centre de la portion la plus épaisse de la viande. Veillez à ce que la sonde ne touche pas un os, du gras ou du cartilage.
 - Pour la volaille, insérez la sonde à l'intérieur du muscle d'une cuisse.
 - Pour éviter d'endommager la sonde, assurez-vous que la viande est totalement dégelée avant de l'y insérer.

- Insérez la sonde jusqu'à ce que sa pointe repose au centre de la portion la plus épaisse et la plus riche de la viande. Assurez-vous que la sonde ne touche pas à un os, à du gras ou à du cartilage.
- La sonde ne doit pas toucher le plat de cuisson ou des parties du four, car cela affectera l'exactitude des résultats.

4. Fermez la porte du four.
5. Appuyez sur les touches « + » et « - » pour diminuer ou augmenter la température interne désirée à atteindre.
6. Choisissez le *mode de cuisson* et la *température du four* à l'aide de boutons du tableau de commande.
 - La fonction de la sonde n'est disponible qu'avec les modes *cuisson au four*, *cuisson par convection* et *rôtissage*.
 - La sonde n'est pas disponible lors que la minuterie du four est réglée.
 - La température de la sonde peut osciller entre 120°F (49°C) et 200°F (93°C).
7. Lorsque la température réelle de la sonde atteint le réglage de température désiré, le mode de cuisson se termine et le bip de la minuterie sonne pour indiquer que le processus de cuisson est terminé.

Températures de cuisson internes minimums
 Les températures de cuisson internes recommandées par le U.S. Department of Agriculture Food Safety and Inspection Service, pour la consommation sécuritaire, sont les suivantes :

PORC, AGNEAU, VEAU, BŒUF HACHÉE 160°F (72°C)

BŒUF, VEAU, RÔTIS D'AGNEAU, STEAKS, CÔTELETTES

Mi-saignant	145°F (63°C)
À point	160°F (72°C)
Bien cuit	170°F (77°C)

RÔTIS DE PORC, STEAKS, CÔTELETTES

À point	160°F (72°C)
Bien cuit	170°F (77°C)

JAMBON

Cuire avant consommation	160°F (72°C)
Tout à fait cuit, réchauffé	140°F (60°C)

VOLAILLE

Dinde, poulet hachés	165°F (74°C)
Dinde, poulet entiers	180°F (82°C)
Poitrines, rôtis	170°F (77°C)
Cuisses et ailes	180°F (82°C)
Farces (cuite à part ou simultanément)	165°F (74°C)
Plats avec œufs, plats en cocotte	160°F (72°C)
Restes de table	165°F (74°C)

IMPORTANT :

- Pour éviter d'endommager la sonde, ne tirez **PAS** sur le câble lorsqu'il est temps de la retirer de l'aliment cuit.
- N'utilisez **PAS** de pinces ou autres instruments pour serrer la sonde lorsqu'il faut la retirer ou pour l'enfoncer dans l'aliment.
- Pour prévenir les brûlures, attendez que le four soit refroidi avant de débrancher la sonde.
- Ne rangez **PAS** la sonde dans le four.

Réglage précis du four (décalage de température)

Elle donne à l'utilisateur la possibilité d'ajuster les paramètres de cuisson selon les réglages personnels qu'il désire obtenir en lui permettant de décaler la température du four de +/- 25°F (14°C), à coup de 5°F par rapport à ce qu'indique le tableau de commande. Par exemple, si l'utilisateur juge que la température du four est toujours trop élevée et qu'il souhaite la diminuer de 5°F, il lui suffit d'appuyer sur la touche « - », ou vice-versa pour l'augmenter. Cette fonction est utile si vous trouvez que les aliments sont continuellement trop brunis ou trop pâles à votre goût.

- Le four doit être éteint pour régler un décalage de température.
- La fonction de décalage est disponible à tous les modes, sauf pour l'autonettoyage.
- Par défaut, la température est ajustée à 0°.
- L'appareil continuera d'appliquer la valeur de décalage entrée indéfiniment jusqu'à ce que l'utilisateur choisisse de la modifier ou jusqu'à ce qu'il manque d'électricité. La fonction de décalage de température devra alors être réinitialisée.

Pour régler Offset

1. Appuyez sur **ENTER**.
2. Utilisez les touches « + » et « - » pour choisir le mode **SETTINGS**.
3. Utilisez les touches « + » et « - » pour choisir le mode offset.
4. Appuyez sur **ENTER**.

Utilisation du Mode Sabbat

Le mode sabbat sert à répondre à l'exigence de ne pas travailler le jour du sabbat. L'utilisateur peut préparer un repas avant le jour de congé puis le laisser à sa fonction de conservation de chaleur jusqu'à ce qu'il soit prêt à manger.

- La lampe du four ne fonctionne pas avec le mode sabbat pour éviter toute action lors de l'ouverture de la porte.
- Les brûleurs au gaz et la plaque chauffante de la surface de cuisson demeurent fonctionnels lors de l'utilisation du mode sabbat.
- Le mode sabbat n'est disponible que lorsque la cuisinière n'utilise pas déjà un autre mode, y compris celui d'autonettoyage.
- Après une panne d'électricité, l'appareil s'allume en mode désactivé. Tous les éléments et lampes resteront désactivés jusqu'à ce que leur bouton de commande soit tourné à la position OFF et que l'appareil soit réinitialisé. Le fait d'ouvrir la porte ne changera rien.
- Vous ne pouvez ajuster la température pendant l'utilisation du mode Sabbat.

Pour régler le mode sabbat:

1. Placez la grille et la nourriture à la position de grille désirée et fermez la porte du four.
2. Utilisez les touches « + » et « - » pour choisir le mode sabbat (**SABBATH**).
3. Utilisez les touches « + » et « - » pour choisir l'une des trois durées : 26 heures, 50 heures ou 74 heures. Appuyez sur **ENTER**.
4. Le tableau d'affichage invitera l'utilisateur à ajuster l'appareil à **BAKE** et **TEMP**.
5. Lorsque la minuterie atteint « 0:00 », le mode de cuisson prend fin et le tableau d'affichage émet un bip. Le four s'éteint automatiquement lorsque le temps de cuisson déterminé arrive à sa fin.
 - L'aiguille de l'indicateur de température se déplacera vers la nouvelle température choisie si le réglage de température est plus haut ou plus bas.
 - **La jauge ne sert qu'à des fins de référence.**
 - À mesure que le four se refroidit, l'indicateur de température baissera afin de refléter la température descendante du four.
6. Une fois que le four est préchauffé, placez-y les aliments à faire cuire.

Fonctionnement automatique de la soufflerie de refroidissement:

Le ventilateur de refroidissement s'active seulement si le four atteint 300°F (149°C). Lorsque vous éteignez le four, le ventilateur reste en fonction jusqu'à ce que la température redescende à 250°F (121°C).

NE continuez PAS à utiliser le four si la soufflerie de refroidissement ne se met pas en marche. Appelez un centre de service qualifié pour que le four soit réparé.

Rôtissage (Roast)

La température de la fonction rôtissage est plus élevée que la cuisson au four traditionnelle. Cette température sert pour rôtir de façon traditionnelle, lorsque de la graisse de cuisson est désirée, ou pour rôtir avec un plat couvert.

Conseils avec le mode rôtissage

- Le mode rôtissage est excellent pour les viandes ou les volailles plus tendres, lorsque la viande est braisée et qu'un plat fermé est utilisé.
- Ajoutez du liquide, comme de l'eau, du jus, du vin, du bouillon ou du fond de sauce pour des plats plus savoureux et plus juteux.
- Vous pouvez utiliser un sac brunisseur avec ce mode.
- Lorsque vous faites rôtir un poulet entier ou une dinde entière, repliez les ailes vers l'arrière et attachez les cuisses avec une ficelle à cuisson.

Recommandations pour le rôtissage

Viande et Volaille	Température du Four	Position de Grille
BŒUF		
Braisé, 3-4 livres	350°F (180°C)	1
Pointe de poitrine	350°F (180°C)	2
Bloc d'épaule	350°F (180°C)	1
Pain de viande	350°F (180°C)	3
VOLAILLE		
Poulet, entier	375°F (190°C)	2
Poulet, morceaux	375°F (190°C)	2
Dinde, entière	325°F (165°C)	2
PORC		
Épaule	325°F (165°C)	1
Demi-jambon fumé	325°F (165°C)	1

Convection

Cuisiner par convection

La cuisson à convection présente de nombreux avantages. Dans le système à convection, un ventilateur à l'arrière du four déplace uniformément l'air dans le four. Cet air répand uniformément la chaleur de sorte que les résultats de cuisson demeurent constants, indépendamment de la position de grille utilisée. Des aliments sur plusieurs grilles peuvent être cuits en même temps. Les aliments cuiront uniformément sans que vous ayez à tourner les plats.

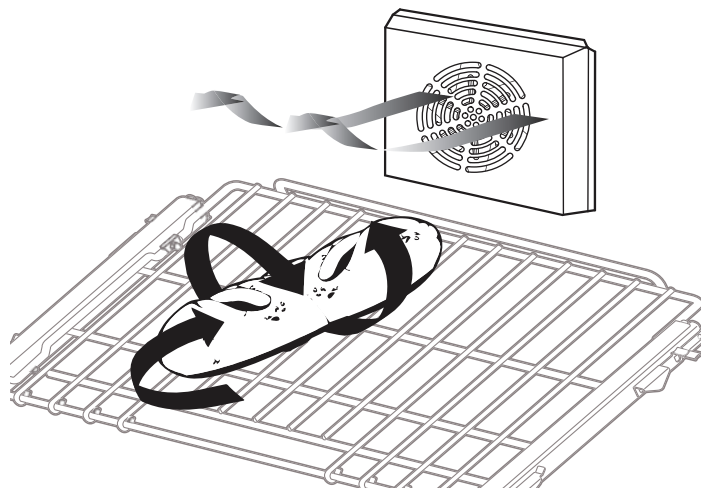


Figure 25 : Ventilateur de convection

Des plats peu profonds peuvent être utilisés pour la cuisson à convection. Ceci permet à l'air de bien circuler autour des aliments. Les plats à rebords élevés ou couverts ne conviennent pas à ce type de cuisson, car l'air chaud ne peut circuler autour des aliments.

Vous pouvez prendre vos plats préférés pour utiliser la cuisson à convection, pourvu que les bords soient peu profonds et que l'air puisse circuler autour des aliments. Tout aliment non couvert brunira uniformément et une croûte riche se formera. La cuisson à convection ne convient pas aux aliments dans des casseroles couvertes (casseroles, rôtis) ou contenant de la crème anglaise.

Rôtissage par convection

Le rôtissage par convection combine la chaleur de l'élément inférieur dissimulé et la chaleur supplémentaire provenant de l'élément et du ventilateur de convection. Le résultat est un extérieur plus croustillant qui scelle le jus intérieur. Cette fonction est parfaite pour faire rôtir des viandes plus tendres dans une casserole à rebords bas non couverte.

- Ne couvrez pas la viande et n'utilisez pas de sac brunisseur.
- Il faut normalement de 10 à 20% moins de temps pour faire rôtir de gros morceaux de viande. Vérifiez la cuisson plus tôt.

Rôtissage par convection (sur certains modèles uniquement)

Le rôtissage par convection combine la chaleur de l'élément inférieur dissimulé et la chaleur supplémentaire provenant de l'élément et du ventilateur de convection. Le résultat est un extérieur plus croustillant qui scelle le jus intérieur. Cette fonction est parfaite pour faire rôtir des viandes plus tendres dans une casserole à rebords bas non couverte.

- Ne couvrez pas la viande et n'utilisez pas de sac brunisseur.
- Il faut normalement de 10 à 20% moins de temps pour faire rôtir de gros morceaux de viande. Vérifiez la cuisson plus tôt.

Cuisson à convection

Vous pouvez économiser du temps en faisant cuire une bonne quantité de biscuits en même temps et de façon uniforme. La durée de cuisson peut être moindre en raison de l'air chaud qui circule. Pour de petits morceaux, comme des biscuits, vérifiez la cuisson deux minutes avant le temps indiqué dans la recette. Pour des articles plus grands, comme des gâteaux, vérifiez cinq à six minutes avant le temps indiqué dans la recette.

La cuisson à convection de la viande et de la volaille donnera des aliments brunis et croustillants à l'extérieur, tendres et juteux à l'intérieur. De grosses pièces de viande ou de volaille peuvent prendre jusqu'à 30 minutes de moins que le temps recommandé dans la recette; par conséquent, assurez-vous qu'elles ne cuisent pas trop. Un thermomètre à viande assurera des résultats plus précis que la technique du nombre de minutes par livres (consultez la section « *Sonde Thermique (Probe)* » à la page 77 ». Plus la pièce de viande ou de volaille est grosse, plus il y a économie de temps.

Conseils de cuisson à convection

Préchauffage du four

Préchauffez le four avant de faire cuire des aliments, sauf pour les grosses pièces de viande ou de volaille. Consultez la recette pour connaître le préchauffage recommandé. La durée de préchauffage dépend du réglage de température et du nombre de grilles dans le four.

Réglage de température

Pour la cuisson à convection, réduisez la température recommandée dans la recette de 25°F (14°C), bien que la température n'ait pas à être réduite lors de la cuisson de viande ou de volaille. Pour rôtir la viande, vérifiez la température interne avant le temps indiqué dans la recette pour éviter de la faire trop cuire.

Cuisson à haute altitude

Pour la cuisson à haute altitude, en mode cuisson ou cuisson à convection, les recettes et les durées de cuisson varient. Pour une information précise, écrivez à Extension Service, Colorado State University, Fort Collins, Colorado 80521. Vous pourriez avoir à payer des frais pour obtenir les bulletins. Précisez le type d'information désiré (ex. : gâteaux, biscuits, pains, etc).

Convection Position des grilles

Voir *Figure 4 à la page 59* pour les positions de grille.

Cuisson à une grille

Niveau	Mode CONVEC BAKE
#3	-- Pour la cuisson avec une grille, de meilleurs résultats sont obtenus en mode cuisson.
#2	-- Pour faire rôtir une dinde ou une grosse pièce de viande, la cuisson à convection peut être utilisée.

Cuisson à deux grilles

Niveau	Mode CONVEC BAKE
#2 & #4	-- Les positions de grille 2 et 4 sont les plus appropriées lors de l'utilisation du mode de cuisson à convection. Les moules à gâteau devraient être décalés sur les grilles 2 et 4. Les plaques à biscuits devraient être placées aux positions 2 et 4, directement l'une sous l'autre. -- Les positions de grille 2 et 4 peuvent être utilisées pour les gâteaux, les biscuits et d'autres aliments pour lesquels il est conseillé d'utiliser deux grilles. -- Pour faire cuire plusieurs casseroles, tartes surgelées ou gâteaux, utilisez les positions de grille 2 et 4.

Cuisson à trois grilles

Niveau	Mode CONVEC BAKE
#1, #3, & #5	-- Lorsque vous devez faire cuire plusieurs plaques à biscuits, placez-les directement les unes au-dessus des autres sur leur grille respective pour laisser l'air circuler.

Types de casseroles

- Les casseroles en aluminium offrent les meilleurs résultats de brunissage.
- Les plaques à biscuits à un ou deux côtés donnent les meilleurs résultats. Il est aussi possible d'utiliser des demi-plaques de type commercial en aluminium, mais cela augmente le temps de cuisson.

Emplacement

- Pour un meilleur brunissage, certains ustensiles, comme les plaques à biscuits, les moules à gâteau roulé et les plats rectangulaires doivent être placés sur la largeur de la grille avec les côtés plus courts à droite et à gauche. Ceci permet à l'air de circuler librement.
- Au moment de faire cuire avec plus d'une grille, les plaques à biscuit ne doivent pas être décalées, contrairement aux moules à gâteau ronds.

Séchage d'aliments avec le mode de cuisson à convection

Utilisez le mode de cuisson à convection pour sécher et conserver des fruits et légumes.

Conseils :

- Le temps de cuisson varie en fonction du degré d'humidité et du contenu en sucre des aliments, de la taille des pièces, de la quantité d'aliments à sécher et du taux d'humidité de l'air.
- Faites sécher la plupart des fruits et légumes à 150°F (66°C).
- Vérifiez les aliments une fois que le temps de séchage minimum s'est écoulé.
- Il vaut mieux utiliser les grilles de séchage (non inclus) pour que l'air puisse circuler autour des aliments. Ne placez pas les aliments directement sur une tôle à biscuits ou une plaque. Les aliments doivent être assez hauts dans le four pour sécher uniformément.
- Vous pouvez utiliser simultanément plusieurs grilles de séchage.
- Pour sécher plusieurs grilles d'aliments en même temps, vous pouvez placer les grilles aux niveaux 2 et 4, ou 1, 3 et 5. Pour une seule grille, utilisez seulement le niveau 3.
- Pour des questions de salubrité alimentaire, il n'est pas recommandé de faire sécher de la viande.
- Consultez un livre de conservation d'aliments, un bureau régional de salubrité alimentaire ou des ouvrages disponibles en bibliothèque pour obtenir de plus amples renseignements.

ALIMENT	PRÉPARATION	TEMPS APPROX. (H)	VÉRIFICATION DE LA TENDRETÉ
FRUIT			
Pommes	Trempez les morceaux dans ¼ de tasse de jus de citron et 2 tasses d'eau. Tranches d'un quart de pouce (1/4 po).	8 – 15	Légèrement flexibles
Bananes	Trempez les morceaux dans ¼ de tasse de jus de citron et 2 tasses d'eau. Tranches d'un quart de pouce (1/4 po).	8 – 15	Légèrement flexibles
Cerises	Nettoyez et séchez avec un linge. Dénoyotez les cerises fraîches.	7 – 18	Parcheminées et molles
Pelures d'orange	Coupez de fines pelures de la peau des oranges.	1 – 4	Sèches et cassantes
Tranches d'orange	Tranches d'un quart de pouce (1/4 po).	9 – 16	Peau sèche et cassante, fruit légèrement humide.
Tranches d'ananas en conserve	Séchez avec un linge.	8 – 13	Tranches molles et flexibles.
Tranches d'ananas frais	Séchez avec un linge.	7 – 12	Tranches molles et flexibles.
Fraises	Nettoyez et séchez avec un linge. Coupez des tranches d'un demi-pouce d'épaisseur (1/2 po). Placez-les la peau contre la grille.	9 – 17	Sèches et cassantes
LÉGUMES			
Poivrons	Nettoyez et séchez avec un linge. Enlevez la peau. Coupez grossièrement des morceaux d'environ un pouce.	13 – 17	Parcheminés, sans humidité à l'intérieur.
Champignons	Nettoyez et séchez avec un linge. Coupez de fines tranches de 1/8 de pouce.	5 – 12	Durs et parcheminés, secs.
Tomates	Nettoyez et séchez avec un linge. Coupez de fines tranches de 1/8 de pouce en prenant soin de bien les évider.	5 – 12	Sèches. Couleur de brique rouge.

Recommandations pour la cuisson à convection

ALIMENTS	RÉGLAGE DE TEMPÉRATURE
Biscuits	375°F (190°C)
Gâteaux fourrés	350°F (180°C)
Feuilletés	350°F (180°C)
Gâteaux Bundt™	325°F (165°C)
Carrés au chocolat ou biscuits rectangulaires	325°F (165°C)
Biscuits	425°F (220°C)
Préparation rapide pour pain	350°F (180°C)
Muffins	425°F (220°C)
Tartes aux fruits	425°F (220°C)
Pavés aux fruits	400°F (205°C)
Pain à la levure, miches	350°F (180°C)
Petits pains	375°F (190°C)
Rouleaux à la cannelle	375°F (190°C)
Gâteau danois	375°F (190°C)

Garder-au-chaud (Keep Warm)

Cette fonction conserve la température nécessaire pour garder les plats cuisinés à la température de service. Commencez toujours avec des aliments chauds. N'utilisez PAS ce mode pour réchauffer des aliments froids autres que des craquelins, des croustilles et des céréales sèches. Vous pouvez conserver les plats à température de service avec ce mode. N'utilisez pas le mode WARM pour faire cuire des aliments.

1. Choisissez le mode WARM avec l'anneau de sélection de mode. Ne tournez pas le bouton de réglage de la température du four.
 - Vous pouvez conserver les aliments au chaud dans le plat dans lequel vous l'avez fait cuire ou les transférer dans un plat de service résistant à la chaleur.
 - Vous pouvez utiliser du papier d'aluminium pour couvrir les aliments. Utilisez seulement des plats résistants à la chaleur.
2. Lorsque vous gardez des aliments au chaud, laissez au four le temps de préchauffer avant de placer les aliments dans le four.
 - Les températures de ce mode varient entre 140-150°F (60-66°C).
 - Les aliments doivent être à une température de service (plus de 140°F / 60°C) avant d'être mis au four.

3. Mettez le plat chaud au four. Fermez la porte.
 - N'ouvrez pas inutilement la porte du four, ce qui réduira la température du four.

⚠ AVERTISSEMENT

Salubrité alimentaire possibilité d'intoxication alimentaire – N'utilisez pas le mode Garder-au-chaud pour faire cuire des aliments. Ce mode n'est pas assez pour faire cuire des aliments à des températures adéquates.

⚠ ATTENTION

Les contenants en plastique et le plastique peuvent fondre s'ils sont en contact direct avec les parois ou la base du four.

Apprêt (Proof) (modèles de 48 po seulement)

La fonction d'apprêt permet de maintenir l'environnement chaud et sans courants d'air nécessaire pour le levage de produits panifiés. La température d'apprêt est ajustée à 100°F (38°C).

Il vaut mieux utiliser la fonction Apprêt lorsque le four est froid.

Comment ajuster le four à la fonction d'apprêt

1. Laissez à la pâte le temps de dégeler si elle est gelée.
2. Mettez la pâte dans un plat dans le four et couvrez partiellement.
3. Utilisez n'importe quelle position de grille qui correspond aux dimensions du bol ou du moule. Fermez la porte.
4. Placez le sélecteur de mode à PROOF. Ne touchez pas au bouton de commande de la température du four.

GROSSEUR	TEMPS
Miches, 1 lb (0.45 kg)	60 – 75 minutes
Petits pains, 0.1 lb (0.05 kg)	30 – 45 minutes

La température idéale de levage sera maintenue jusqu'à ce que le sélecteur de mode soit mis hors circuit.

La fermentation de la pâte est terminée lorsqu'elle a doublé de taille.

N'ouvrez pas la porte inutilement pour éviter que la température du four ne diminue, ce qui allongera le temps requis pour le levage. Utilisez plutôt la lumière du four pour voir où en est le levage de la pâte. Le temps de levage peut

être réduit lorsque le four principal est utilisé en même temps. Vérifiez l'état du produit panifié pour éviter un levage excessif. Pour obtenir des résultats optimaux, nous vous conseillons, si vous utilisez le four principal durant de longues périodes, de procéder au levage avant d'utiliser le four principal.

Autres utilisations du four

Suggestions de température pour conserver la chaleur des aliments

Aliment	Température Du Four
Bœuf	150°F (70°C)
Bacon	225°F (110°C)
Biscuits et muffins (recouverts)	200°F (90°C)
Ragoût (recouvert)	200°F (90°C)
Poisson et fruits de mer	200°F (90°C)
Aliments frits	225°F (110°C)
Jus de viande ou sauces à la crème (recouverts)	175°F (80°C)
Rôtis de veau et d'agneau	200°F (90°C)
Crêpes et gaufres (recouvertes)	225°F (110°C)
Pommes de terre cuites	200°F (90°C)
Purée de pommes de terre (recouverte)	175°F (80°C)
Pâtes et pâtisseries	175°F (80°C)
Pizza (recouverte)	225°F (110°C)
Porc	200°F (90°C)
Volaille (recouverte)	200°F (90°C)
Légumes (recouverts)	175°F (80°C)
Bœuf	150°F (70°C)

Cuisson au four lente et à basse température

En plus d'offrir des températures idéales pour faire cuire et rôtir, ce four permet de conserver des plats cuisinés au chaud et de réchauffer des plats, grâce à ses réglages à basse température.

Les plats cuisinés chauds peuvent être conservés à la température de service. Réglez le four sur au mode de cuisson au four et utilisez la température indiquée dans le tableau.

Pour de meilleurs résultats, préchauffez le four à la température souhaitée.

Les aliments susceptibles de se dessécher devront être recouverts de papier d'aluminium ou d'un couvercle.

BROIL (GRILLER) et CONVEC BROIL (GRILLER PAR CONVECTION)

Recommandations pour le grilloir

Préchauffage du grilloir

Il est recommandé de préchauffer l'élément du grilloir avant de commencer à cuisiner. Faites préchauffer pendant trois minutes, puis placez le plat dans le four.

Pour obtenir les meilleurs résultats

- Décongelez les aliments avant de les faire griller.
- Assurez-vous que la porte du four est fermée pendant la grillade.
- Ne retournez les aliments qu'une fois, au milieu du temps total de cuisson. Il n'est pas nécessaire de retourner les morceaux très fins (tranches de jambon, filets de poisson, etc). Les tranches de foie doivent être retournées indépendamment de leur épaisseur.
- Utilisez une minuterie. Réglez-la à la durée minimum de vérification de la cuisson.
- Placez les aliments directement sous l'élément du grilloir pour qu'ils soient bien dorés.

Position de la grille

Avant d'allumer le four, placez la grille à la position désirée. Centrez la lèchefrite sous le brûleur du grilloir.

Four principal de cuisinière mixte

Niveau	Mode BROIL - Cuisinière mixte
#5	-- Réglez à cette position pour griller des steaks, des galettes de viande, du steak de jambon et des côtelettes d'agneau de 1 po (26 mm) ou moins d'épaisseur, ou pour brunir des aliments.
#4	-- Réglez à cette position pour griller des pièces de viande de 1½ po ou plus d'épaisseur, du poisson, de la volaille, des côtelettes de porc, du steak de jambon de 1 po (26 mm) ou plus d'épaisseur.
#3	-- Réglez à cette position pour griller des morceaux de poulet ou des demi-poulets.

Four principal au gaz

Niveau	Mode BROIL - Cuisinière au gaz
#4	-- Réglez à cette position pour griller des steaks, des galettes de viande, du steak de jambon et des côtelettes d'agneau de 1 po (26 mm) ou moins d'épaisseur.
#3	-- Réglez à cette position pour griller des pièces de viande de 1½ po ou plus d'épaisseur, du poisson, de la volaille, des côtelettes de porc, du steak de jambon de 1 po (26 mm) ou plus d'épaisseur.

Four auxiliaire (modèle de 48 po)

Niveau	Mode BROIL - Four auxiliaire
#3, 4, ou 5 – mixtes #1, 3, ou 4 – gaz	-- Dépend de type d'aliment et de son épaisseur.
#5 –mixtes #3 – gaz	-- Utilisez-la également pour faire dorer le dessus des aliments.

Ustensiles

- La lèchefrite de deux pièces en porcelaine émaillée avec une grille est incluse avec la cuisinière. NE recouvrez PAS la grille quadrillée (dessus) avec du papier d'aluminium.
- Utilisez des plats en métal ou en vitrocéramique pour faire gratiner les ragoûts, les plats ou le pain.
- N'utilisez PAS de plats en verre résistant à la chaleur ou en terre cuite. Ce type de plats ne résistera pas à l'intense chaleur du grilloir à gaz.
- La petite lèchefrite de deux pièces en porcelaine est conçue pour être utilisée dans le four secondaire des modèles de 48 pouces.

Pour un steak saignant, faites d'abord cuire le premier côté à 90°F (32°C). Pour un steak à point ou bien cuit, faites cuire le premier côté à 100°F (38°C). Retournez et faites cuire le second côté jusqu'à la température interne voulue.

NOTE: Il est impossible d'utiliser simultanément le mode BAKE et le grilloir. Quand l'un d'eux est en marche, l'autre ne peut pas être allumé.

Réglage du grilloir/grilloir par convection

Seuls les brûleurs de voûte chauffent au mode BROIL (GRILLOIR). Pour être réussie, une grillade doit être exposée constamment à une chaleur intense.

1. Placez la grille à la position voulue dans le four.
2. Réglez le sélecteur de mode à BROIL.
3. Réglez le sélecteur de température à BROIL.
 - L'indicateur de température indiquera BROIL après cinq minutes.

4. Placez l'aliment dans le four, à la position désirée, comme indiqué ci-dessous.
5. La porte doit être fermée pendant le cycle de grillade.
 - La plaque à fentes permet au jus de cuisson de couler dans la plaque inférieure, à l'abri de la chaleur intense de l'élément de voûte, ce qui minimise les éclaboussures, la production de fumée et les risques d'incendie de graisse.
 - Les modèles de 48 pouces sont vendus avec une lèchefrite de deux pièces en porcelaine, pour une utilisation dans le four secondaire.

Fonctionnement automatique de la soufflerie de refroidissement:

Le ventilateur de refroidissement s'active seulement si le four atteint 300°F (149°C). Lorsque vous éteignez le four, le ventilateur reste en fonction jusqu'à ce que la température redescende à 250°F (121°C).

NE continuez PAS à utiliser le grilloir si la soufflerie de refroidissement ne se met pas en marche. Appelez un centre de service qualifié pour que le four soit réparé.

Recommandations pour du grilloir

Toutes les viandes doivent être placées sur la lèchefrite fournie avec la cuisinière.

Aliment	Niveau	Mode
BŒUF		
Boulettes de viande hachée, épaisseur ½ po	#5 – mixtes #4 – gaz	Broil ou Convec Broil*
Bifteck d'ail	#4	Broil ou Convec Broil*
Bavette de flanchet	#4	Broil ou Convec Broil*
Rosbif de côte	#3	Roast ou Convec Roast*
PAINS		
Rôtie, pain à l'ail, etc.	#4 – mixtes #3 – gaz	Broil
VOLAILLE		
Poitrines de poulet sans peau, désossées	#4	Broil ou Convec Broil*
Cuisses de poulet	#3	Broil ou Convec Broil*
Demi-poulets	#3	Broil or Convec Broil*
Poulet rôti	#2	Roast ou Convec Roast*
Dinde	#2	Broil ou Convec Broil*

* Sur certains modèles uniquement.

Entretien et Nettoyage

Autonettoyage du four

⚠ AVERTISSEMENT

- Ne laissez pas d'enfants seuls ou sans surveillance dans un endroit où des électroménagers sont en cours d'utilisation.
- Durant le cycle d'autonettoyage, les surfaces extérieures de l'appareil peuvent devenir plus chaudes que d'habitude. Certaines pièces de l'appareil peuvent être dangereuses pour les enfants et pour les personnes qui ne possèdent pas les connaissances d'un adulte par rapport aux électroménagers ou qui ne réagissent pas comme un adulte devrait le faire dans une situation potentiellement dangereuse. Ces personnes devraient s'éloigner de l'appareil durant l'autonettoyage ou lorsqu'il est en cours d'utilisation.
- L'élimination de saletés durant le processus d'autonettoyage peut favoriser l'émission de petites quantités de produits chimiques ou d'autres substances auxquelles une certaine exposition pourrait être dangereuse. Pour minimiser toute exposition à ces substances, assurez-vous de bien aérer la pièce en ouvrant une fenêtre ou en utilisant un ventilateur ou une hotte.
- Gardez vos oiseaux de compagnie à l'extérieur de la cuisine ou d'autres pièces où la fumée de la cuisine pourrait les atteindre. La fumée qui se dégage de l'appareil durant l'autonettoyage peut être nuisible aux oiseaux.

Marques de produits

Les marques de produits mentionnées ne servent qu'à indiquer un type de produit nettoyant et non à en faire la promotion. L'omission d'une marque ne signifie pas qu'elle convient ou ne convient pas. De nombreux produits sont distribués régionalement et il est possible de les trouver dans les marchés locaux. Il est essentiel que les produits soient utilisés conformément à leur mode d'emploi.

Concernant l'autonettoyage

Le mode d'autonettoyage de votre nouvelle cuisinière comprend une fonction d'autonettoyage pyrolytique. Lorsque vous le mettez en mode CLEAN, le four atteint une température élevée, environ 830°F (454°C), qui consomment toutes les saletés du four.

Lorsque le four est réglé à CLEAN, vous pouvez utiliser les brûleurs standards et la plaque chauffante électrique de la surface de cuisson. Seul un four à la fois peut être utilisé ou en mode d'autonettoyage. Les brûleurs munis de la fonction ExtraLow^{mc} ne peuvent pas être utilisés.

Il est commun de voir de la fumée ou des flammes durant le cycle de nettoyage, selon le contenu et la quantité de saletés qui se trouvent dans le four. Si une flamme persiste, éteignez le four et laissez-le refroidir avant d'ouvrir la porte pour enlever les saletés excessives.

À la fin du cycle de nettoyage, de la cendre grise ou des résidus peuvent se trouver à l'intérieur du four. Il s'agit de dépôts minéraux qui n'ont pas brûlé ou fondu. La quantité de cendre dépend de la mesure dans laquelle le four était sale avant d'être nettoyé. Lorsque le four est froid, vous pouvez facilement enlever ces cendres ou résidus avec un essuie-tout, une éponge ou un chiffon humide.

Essayez tous les résidus qui se trouvent sur le bâti avant avec du Fantastik^{mc}. Si des taches persistent, utilisez un nettoyant liquide doux. La quantité de taches de fumée est directement liée à la quantité de résidus d'aliments laissés dans le four au moment de procéder à l'autonettoyage. Nettoyez souvent le four.

Avant de procéder à l'autonettoyage du four

Essayez les accumulations de graisse et toutes les saletés faciles à enlever pour réduire les possibilités de production de flammes ou de fumée. Enlevez les saletés se trouvant à l'extérieur du joint d'étanchéité de la porte. Cet appareil est conçu pour nettoyer l'intérieur du four et la partie de la porte située à l'intérieur du four. Les parties extérieures de la porte et le cadre entourant la partie avant du four ne se trouvent pas dans la zone de nettoyage. Nettoyez ces surfaces.

Avant de régler le four pour l'autonettoyage

- Enlevez tous les ustensiles.
- Enlevez les grilles.
- Nettoyez le bâti avant du four et les côtés de la porte. Essayez les éclaboussures et les accumulations de graisse.
- Assurez-vous que les ampoules et les couvercles de verre des lampes sont en place.
- Allumez la hotte au-dessus de la cuisinière et laissez-la jusqu'à ce que le cycle d'autonettoyage du four soit terminé.

IMPORTANT :

La première fois que vous utilisez le cycle d'autonettoyage de votre nouvelle cuisinière, sortez les petits animaux et les oiseaux de la cuisine et des endroits à proximité du four. Ouvrez une fenêtre pour une meilleure aération.

Verrouillage

Lorsque le cycle d'autonettoyage se met en marche, la porte se verrouille automatiquement. La jauge de température se dirige vers CLEAN cinq minutes après le début du cycle. Assurez-vous que la porte est verrouillée. Vous pouvez mettre fin à l'autonettoyage en mettant le bouton de commande à OFF. Le témoin CLEANING s'éteindra seulement lorsque la température du four aura atteint 500°F (200°C) et que la fonction de verrouillage de la porte ne sera plus active.

Assurez-vous que la porte du four est verrouillée au début du cycle d'autonettoyage.

Comment programmer l'autonettoyage des fours

1. Enlevez les grilles du four.
2. Assurez-vous que la porte du four est fermée.
3. Sélectionnez SELF CLEAN avec l'anneau de sélection de mode.
4. Placez le bouton de réglage de température à CLEAN.
 - Le loquet de la porte du four s'enclenche pour verrouiller la porte.
 - La soufflerie de refroidissement se met en marche.
 - L'indicateur de température indique CLEAN après cinq minutes.
 - L'afficheur indique le temps restant.

NOTE : Le processus de verrouillage de la porte dure environ vingt secondes, après quoi la porte est verrouillée. Assurez-vous que la porte est bel et bien verrouillée.

Lorsque le cycle de nettoyage est terminé

Le cycle de nettoyage dure environ deux heures. Ne tournez pas les boutons du four à la position OFF avant que le cycle de verrouillage automatique ne soit à la position ouverte.

1. Mettez le sélecteur de mode à la position OFF.
 - Le loquet de la porte s'ouvrira automatiquement lorsque la température du four sera inférieure à 500°F (200°C) et que le verrouillage automatique de la porte passera à la position ouverte en environ vingt secondes.
 - La soufflerie de refroidissement s'éteint lorsque la température du four atteint 375°F (191°C).
2. Tournez le bouton de commande du four à la position OFF.

Empêchement de cycles d'autonettoyage successifs

Les fours sont programmés pour empêcher la mise en marche d'un deuxième cycle d'autonettoyage pour une période de 24 heures. Toutes les autres fonctions sont disponibles immédiatement lorsque l'autonettoyage est terminé.

Trucs de nettoyage

1. Le fini en porcelaine émaillée résiste à l'acide, mais il n'est pas antiacide. Vous devriez essuyer les aliments acides, comme les jus d'agrumes, le jus de tomates, le jus de rhubarbe, l'alcool et le lait, et ne pas les faire cuire dans la porcelaine lors de la prochaine utilisation.
2. **Enlevez les grilles du four.**
3. Les brûleurs à infrarouge du grilloir dans le(s) four(s) ne doivent pas être nettoyés. Ils se nettoient d'eux-mêmes lors de l'utilisation du four.

AVERTISSEMENT

L'intérieur du four sera toujours à une température de cuisson lorsque le verrouillage automatique cessera et qu'il sera possible d'ouvrir la porte du four.

Nettoyage de la cuisinière

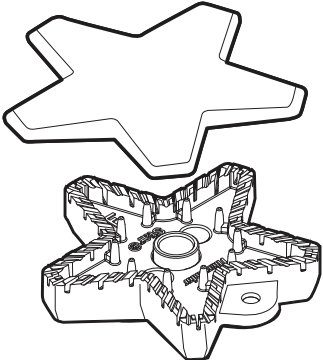
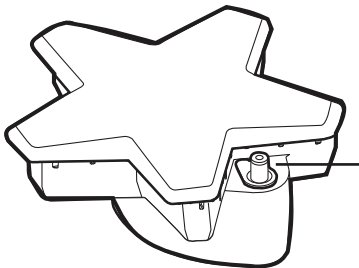
Lors du nettoyage de la cuisinière:

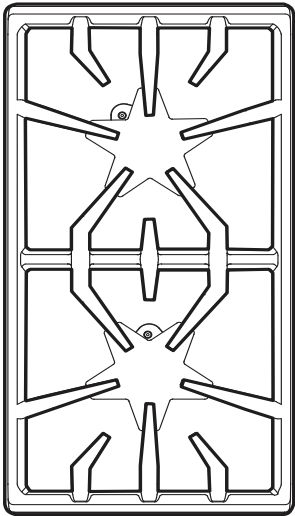
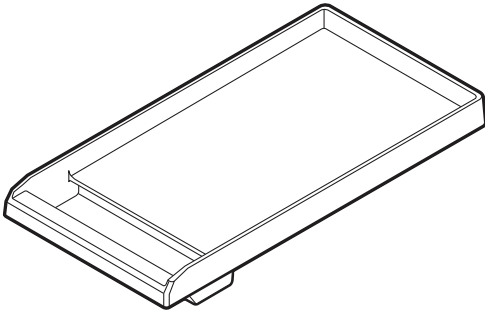
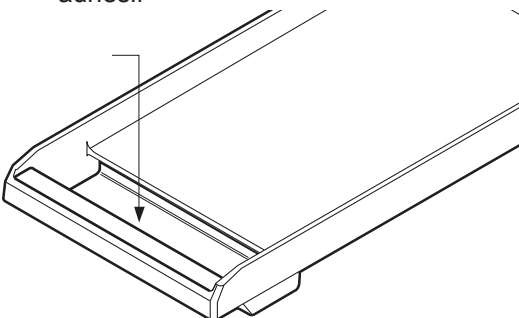
1. Utilisez la méthode de nettoyage qui, tout en restant efficace, est la plus douce possible. Certains produits nettoyants similaires sont plus rudes que d'autres. Faites d'abord un essai sur une petite surface.
2. Passez toujours les produits pour métal dans le sens des lignes de polissage pour une efficacité maximale et pour éviter de rayer la surface.
3. N'utilisez que des éponges, des serviettes en papier, des brosses et des chiffons doux et propres, des tampons à récurer savonneux en plastique, non métalliques, pour nettoyer et gratter, comme recommandé dans le tableau.
4. La plupart des pièces externes de cet appareil peuvent être nettoyées avec de l'eau savonneuse chaude (sauf lors d'indications contraires concernant certaines pièces). Lorsque vous devez rincer une pièce, rincez-la à fond.
5. Essuyez toujours immédiatement pour éviter les traces d'eau de la surface nettoyée.
6. **N'UTILISEZ PAS DE PRODUITS NETTOYANTS À BASE DE CHLORE.**

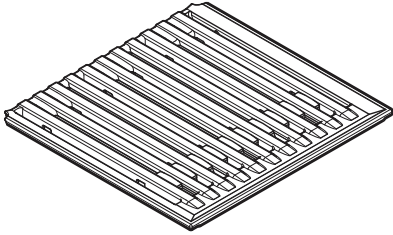
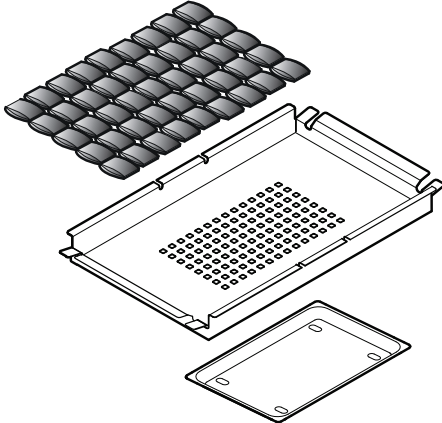
AVERTISSEMENT

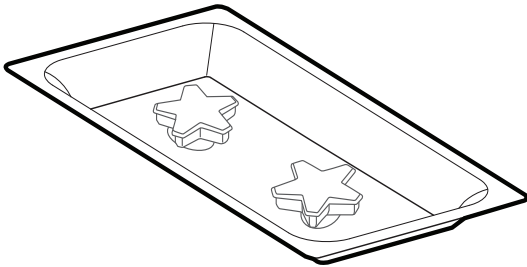
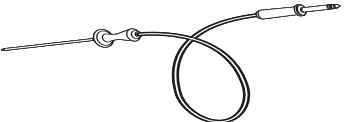
Évitez de nettoyer les pièces du four lorsqu'elles sont encore chaudes.

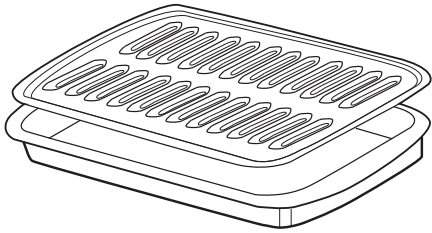
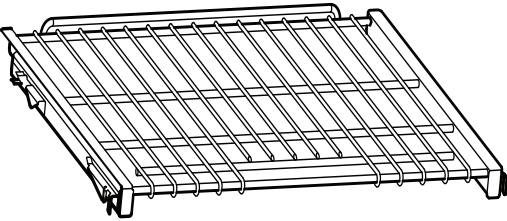
Recommandations pour le nettoyage

PIÈCE/MATÉRIAU	PRODUITS NETTOYANTS SUGGÉRÉS
<p>Couvercle en fonte et base des brûleurs STAR^{mc} en laiton</p> 	<ul style="list-style-type: none"> • Brosse à dents à soies dures en nylon pour le nettoyage des orifices. • Une fois le nettoyage terminé, veillez à ce que le couvercle du brûleur STAR soit correctement logé sur sa base. • Ne frottez PAS et n'agrandissez pas les orifices du couvercle de brûleur STAR. • Produits nettoyants suggérés; rincez et séchez à fond : <ul style="list-style-type: none"> -- Eau chaude savonneuse -- Bon-ami[®] -- Cameo[®] Aluminum and Stainless Steel Cleaner -- Wright's[®] All Purpose Brass Polish -- Kleen King[®]
<p>Allumeurs Céramique</p> 	<ul style="list-style-type: none"> • N'employez PAS d'outils pointus pour frotter les allumeurs. Les allumeurs sont fragiles. Si l'un d'entre eux est endommagé, il se pourrait qu'il ne puisse allumer le brûleur STAR. • Produits nettoyants suggérés : <ul style="list-style-type: none"> -- Utilisez un coton-tige trempé dans l'eau -- Fantastik[®]
<p>Boutons de commande / métal Enjoliveurs / chrome</p>	<ul style="list-style-type: none"> • Ne faites PAS tremper les boutons. • Ne forcez PAS les boutons sur une mauvaise tige de valve. • Produits nettoyants suggérés : <ul style="list-style-type: none"> -- Utilisez un coton-tige trempé dans l'eau
<p>Fini extérieur/protecteur arrière Acier inoxydable</p>	<ul style="list-style-type: none"> • L'acier inoxydable résiste à la plupart des taches d'aliments et piqûres, pourvu que la surface soit gardée propre et protégée. • Frottez légèrement dans le sens du poli. • Le chlore ou les composés de chlore de certains produits nettoyants sont corrosifs pour l'acier inoxydable. Vérifiez les ingrédients sur l'étiquette. • Produits nettoyants suggérés; rincez et séchez à fond : <ul style="list-style-type: none"> -- Eau chaude savonneuse -- Fantastik[®] -- Siege[®] Stainless Steel and Aluminum Cleaner -- Kleen King[®] Stainless Steel Liquid Cleaner -- THERMADOR Stainless Steel Conditioner (0057669) pour protéger le fini des taches et piqûres ; améliorer l'apparence. -- Taches d'eau dure : Vinaigre. • Décoloration due à la chaleur; rincez et séchez à fond : <ul style="list-style-type: none"> -- Cameo[®] -- Barkeepers Friend[®] -- Zud[®] -- Wright's[®] All Purpose Brass Polish

PIÈCE/MATÉRIAU	PRODUITS NETTOYANTS SUGGÉRÉS
<p>Grilles Porcelaine émaillée sur fonte</p> 	<ul style="list-style-type: none"> • Les grilles sont lourdes; soyez prudent lorsque vous les soulevez. Déposez-les sur une surface protégée. • Compte tenu de la texture rugueuse des grilles, des dépôts en aluminium du dessous des poêlons peuvent parfois se détacher et remplir les espaces entre les rayures des grilles. Faites attention lorsque vous cuisinez avec des poêlons et casseroles en laiton et en aluminium, car ces types de plats peuvent parfois laisser des dépôts de métal sur les grilles. • Lors de températures extrêmes et de change-ments rapides de température, on retrouve couramment des ampoules/craquelures/éclats sur les tiges des grilles. • Les déversements acides et chargés en sucre détériorent l'émail. Éliminez-les sans tarder. • Les produits nettoyants abrasifs, utilisés trop vigoureusement ou trop souvent, peuvent éventuellement rayer l'émail. • Produits nettoyants suggérés; rincez et séchez à fond : <ul style="list-style-type: none"> -- Eau chaude savonneuse -- Fantastik® -- Bon-ami® -- Soft Scrub® • Abrasifs pour les taches tenaces; rincez et séchez à fond : <ul style="list-style-type: none"> -- Tampon de laine d'acier savonneux -- Lestoil® -- Autre produit dégraissant • Dépôts de métal : <ul style="list-style-type: none"> -- Éponge à récurer Scotch Brite -- Laine d'acier
<p>Plaque chauffante Aluminium avec revêtement anti-adhésif</p> 	<ul style="list-style-type: none"> • N'immergez JAMAIS une plaque chauffante chaude dans l'eau froide. La plaque d'aluminium pourrait gondoler ou se fissurer. • Ne nettoyez AUCUNE partie du gril ou de la plaque chauffante dans le four en mode autonettoyage. • Essuyez la surface de la plaque chauffante à l'eau tiède savonneuse, puis rincez à l'eau tiède. Essuyez avec un chiffon doux. • Si des particules alimentaires collent à la plaque, éliminez-les à l'aide d'un nettoyant abrasif doux comme Soft Scrub^{mc}. • Produits nettoyants suggérés; rincez et séchez à fond : <ul style="list-style-type: none"> -- Eau chaude savonneuse -- Mettez-le au lave-vaisselle -- Soft Scrub®
<p>Plateau récupérateur de graisse de la plaque chauffante Aluminium avec revêtement anti-adhésif</p> 	<ul style="list-style-type: none"> • Retirez le plateau récupérateur de graisse et versez la graisse dans un contenant résistant aux graisses pour mise au rebut. Lavez le plateau récupérateur dans l'eau tiède savonneuse ou mettez-le au lave-vaisselle. • Videz le plateau récupérateur de graisse après chaque utilisation. • Produits nettoyants suggérés; rincez et séchez à fond : <ul style="list-style-type: none"> -- Eau chaude savonneuse -- Mettez-le au lave-vaisselle -- Soft Scrub®

PIÈCE/MATÉRIAU	PRODUITS NETTOYANTS SUGGÉRÉS
<p>Grilles du grill Porcelaine émaillée sur fonte</p> 	<ul style="list-style-type: none"> • Nettoyez les grilles après chaque utilisation. • Placez la grille du grill dans l'évier et versez de l'eau bouillante sur la grille. Mettez un linge à vaisselle sur le dessus de la grille et versez de l'eau bouillante sur le linge. Laissez tremper les résidus. Grattez tous les débris avec un tampon à récurer savonneux. • Abrasifs pour les taches tenaces : Soft Scrub®. • Produits nettoyants suggérés; rincez et séchez à fond : <ul style="list-style-type: none"> -- Eau chaude savonneuse -- Mettez-le au lave-vaisselle -- Soft Scrub® -- Brosse à fils en laiton doux pour les taches tenaces. Les brosses à fils de fer rigides peuvent égratigner le recouvrement de porcelaine des grilles et causer leur oxydation prématurée. • Abrasifs pour les taches tenaces; rincez et séchez à fond : <ul style="list-style-type: none"> -- Tampon de laine d'acier savonneux -- Lestoil® -- Autre produit dégraissant
<p>Briquettes de céramique, Briquettes de céramique, et Plateau à graisse du grill</p> 	<ul style="list-style-type: none"> • Briquettes de céramique de nettoyage <ol style="list-style-type: none"> 1) Placez doucement les briquettes de céramique saturées de gras dans un grand contenant de six litres ou plus. 2) Remplissez le contenant d'eau propre de façon à ce que les briquettes soient couvertes par au moins un demi-pouce d'eau. 3) Portez l'eau à ébullition et laissez-la bouillir pendant 10 minutes. 4) Éteignez le feu et laissez l'eau refroidir jusqu'à une température sécuritaire. 5) Débarrassez-vous de l'eau et tapotez les briquettes avec de vieilles serviettes ou des essuie-tout pour les sécher. 6) Laissez sécher les briquettes à l'air ambiant pendant au moins deux heures. Il se peut qu'il y ait des taches de graisse permanentes sur les briquettes après le nettoyage. 7) Remettez les briquettes propres et sèches dans le grill avant de le réutiliser. • Vous pouvez vous procurer de nouvelles briquettes de céramique à la boutique électronique de THERMADOR (numéro de commande : <i>PABRICKBKN</i>). Consultez le verso pour obtenir des renseignements sur le soutien technique. ▲ MISE EN GARDE : <ul style="list-style-type: none"> • Vous devez remplacer les briquettes de céramique lorsqu'elles sont noires, ce qui signifie qu'elles sont saturées de gras. Elles peuvent alors générer beaucoup de fumée ou prendre feu pendant le fonctionnement de l'appareil. • Produits nettoyants recommandés pour le panier et le plateau à graisse; rincez et séchez à fond : <ul style="list-style-type: none"> -- Eau chaude savonneuse -- Mettez-le au lave-vaisselle

PIÈCE/MATÉRIAU	PRODUITS NETTOYANTS SUGGÉRÉS
<p>Plateau collecteur de surface / bandes de garniture Porcelaine émaillée (fini lustré)</p> 	<ul style="list-style-type: none"> • Frottez délicatement car ces produits pourraient érafler le fini. Rincez à fond et essuyez avec un chiffon doux. • Pour les aliments carbonisés, utilisez des tampons de fibre ou de laine d'acier imbibés de savon, tels que S.O.S.^{mc} ou Brillo^{mc}. Humidifiez le tampon et frottez délicatement. Soyez prudent car les tampons peuvent érafler le fini. Rincez à fond et essuyez avec un chiffon doux. • Produits nettoyants suggérés; rincez et séchez à fond : <ul style="list-style-type: none"> -- Eau chaude savonneuse -- Soft Scrub[®] -- Bar Keeper's Friend[®] -- Bon-ami[®] -- Comet[®] -- Ajax[®] • Abrasifs pour les taches tenaces; rincez et séchez à fond : <ul style="list-style-type: none"> -- Utilisez des tampons de fibre ou de laine d'acier imbibés de savon
<p>Sonde Thermique</p> 	<ul style="list-style-type: none"> • Ne lavez PAS la sonde au lave-vaisselle. • Produits nettoyants suggérés; rincez et séchez à fond : <ul style="list-style-type: none"> -- Eau chaude savonneuse
<p>Joint Joint d'étanchéité de la porte</p>	<ul style="list-style-type: none"> • Vaporisez le produit nettoyant et séchez-le avec un chiffon. Ne frottez PAS. N'enlevez pas, ne déplacez pas et n'endommagez pas la maille. • Produits nettoyants suggérés; rincez et séchez à fond : <ul style="list-style-type: none"> -- Eau chaude savonneuse -- Fantastik[®]
<p>Portes</p>	<ul style="list-style-type: none"> • Veillez à préserver les orifices d'aération des portes des nettoyeurs et de l'eau. Si l'un ou l'autre était déversé dans un orifice d'aération, l'eau pourrait couler à l'intérieur et marquer la vitre.
<p>Cavité Porcelaine émaillée sur acier</p>	<ul style="list-style-type: none"> • Le fini de porcelaine émaillée résiste à l'acide, mais il n'est pas à l'épreuve de l'acide. Les aliments acides, par exemple le jus de citron, la tomate, la rhubarbe, le vinaigre, l'alcool et le lait, doivent être essuyés car il ne doivent pas cuire dans la porcelaine durant la prochaine utilisation de la cuisinière. Après un certain temps, la porcelaine peut se craqueler (présenter des lignes fines comme des cheveux). Cela n'affecte en rien sa performance. • Appliquez du produit nettoyant sur une éponge ou un chiffon humide. Frottez doucement. Rincez en profondeur et séchez. Si des aliments ont brûlé sur le four et qu'ils sont difficiles à nettoyer, vous pouvez les humidifier avec un chiffon imbibé du produit suggéré. Fermez la porte et laissez tremper jusqu'à ce que vous puissiez facilement enlever les résidus d'aliment avec un chiffon savonneux humide ou peu abrasif. • Produits nettoyants suggérés; rincez et séchez à fond : <ul style="list-style-type: none"> -- Eau chaude savonneuse -- Vinaigre -- Soft Scrub[®] -- Bon-ami[®] -- Comet[®]

PIÈCE/MATÉRIAU	PRODUITS NETTOYANTS SUGGÉRÉS
<p>Plaque à fentes de la lèchefrite/fond Porcelaine émaillée</p> 	<ul style="list-style-type: none"> • Pour amollir les aliments cuits, vaporisez la plaque vide et/ou le fond avec du détergent à lessive alors qu'ils sont encore chauds et recouvrez d'essuie-tout mouillés. Laissez reposer. • Produits nettoyants suggérés; rincez et séchez à fond : <ul style="list-style-type: none"> -- Eau chaude savonneuse -- Vinaigre -- Mettez-le au lave-vaisselle -- Soft Scrub® -- Bon-ami® -- Comet® -- Tampons de fibre ou de laine d'acier imbibés de savon
<p>Grilles du four et glissières des grilles Nickelées</p> 	<ul style="list-style-type: none"> • Certains produits nettoyants commerciaux pour four peuvent noircir et décolorer la surface. Avant de nettoyer la grille, testez le produit sur une petite portion de celle-ci et assurez-vous qu'elle ne se décolore pas. • Les grilles du four se décoloreront si elles restent dans le four pendant l'autonettoyage. • Si les grilles ne glissent pas facilement en place après le nettoyage, versez un peu d'huile à friture sur un essuie-tout et frottez doucement les glissières latérales. • NE NETTOYEZ PAS LES FOURS AUTONETTOYANTS. • Produits nettoyants suggérés; rincez et séchez à fond : <ul style="list-style-type: none"> -- Eau chaude savonneuse -- Vinaigre -- Mettez-le au lave-vaisselle -- Soft Scrub® -- Bon-ami® -- Comet® • Abrasifs pour les taches tenaces; rincez et séchez à fond : <ul style="list-style-type: none"> -- Utilisez des tampons de fibre ou de laine d'acier imbibés de savon -- Easy Off® Oven Cleaner

Entretien À Faire Soi-même

Changement de l'ampoule du four

⚠ ATTENTION

- Assurez-vous que l'appareil et les lampes sont froids et que l'alimentation de l'appareil est coupée avant de remplacer les ampoules électriques, sans quoi vous pourriez vous blesser ou recevoir une décharge électrique.
- Les couvercles doivent être en place lorsque vous utilisez l'appareil.
- Les couvercles servent à empêcher les ampoules de se briser.
- Les couvercles sont faits de verre. Manipulez-les avec soin pour éviter de les briser. Les éclats de verre peuvent causer des blessures.
- La douille est sous tension lorsque la porte est ouverte.

Remplacez l'ampoule exclusivement par une ampoule recommandée pour cuisinière. N'UTILISEZ PAS une ampoule standard à usage domestique dans le four. Appelez le centre de service à la clientèle de THERMADOR au 1-800-735-4328 ou le détaillant THERMADOR le plus près de chez vous pour savoir quelles ampoules utiliser avec votre cuisinière. Vous devrez connaître le numéro de série de votre cuisinière.

Remplacement de l'ampoule

Utilisez seulement des ampoules halogènes à deux broches de 10 watts, 12 volts. Utilisez un linge propre et sec pour manipuler les ampoules halogènes. Cela augmentera leur durée de vie.

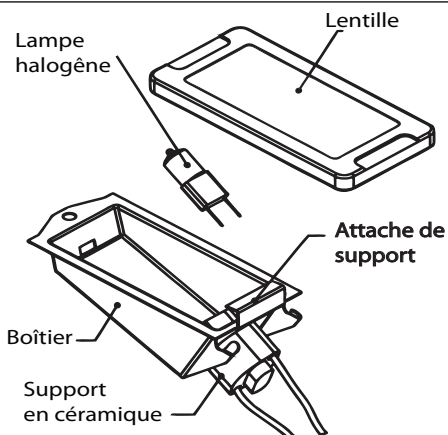


Figure 26 : Assemblage de la lampe du four

1. Coupez l'alimentation du disjoncteur.
2. Enlevez les grilles du four.
3. Insérez la pointe d'un tournevis plat entre l'attache de fixation et le boîtier de la lampe (Figure 27, A).

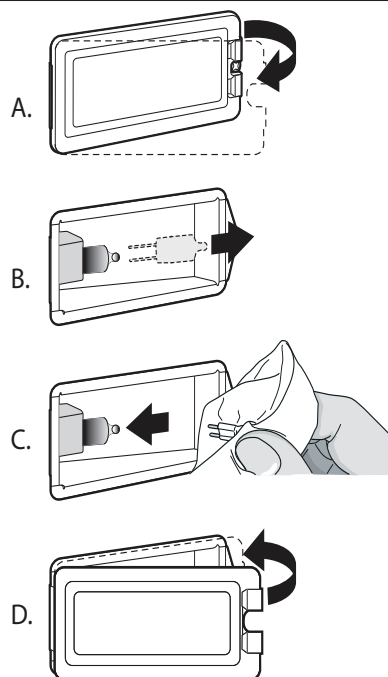


Figure 27 : Emplacement de l'ouverture

4. Soutenez le couvercle de la lentille de verre avec deux doigts le long du rebord inférieur pour empêcher qu'il tombe sur le plancher du four.
5. Tournez doucement le tournevis plat pour détacher le couvercle de la lentille de verre.
6. Enlevez le couvercle de la lentille de verre et l'attache de fixation (Figure 27, B).
7. Retirez l'ampoule en la saisissant et la faisant glisser vers l'arrière jusqu'à ce que les deux broches sortent du support en céramique. Ne touchez pas au verre de la nouvelle ampoule de remplacement avec vos doigts, sans quoi elle ne fonctionnera pas lorsque vous l'allumerez. Prenez l'ampoule de remplacement avec un linge sec et propre. Localisez les deux fentes du support de céramique en y poussant doucement les deux broches de l'ampoule (Figure 27, C).
8. Tirez vers le bas pour bien installer l'ampoule.
9. Faites glisser la lentille de protection dans l'attache du support et poussez l'autre extrémité jusqu'à ce que l'attache de fixation s'enclenche dans le boîtier.
10. Rallumez le disjoncteur (Figure 27, D).

Avant D'appeler le Service Technique

Avant d'appeler le service technique, vérifiez les points suivants afin d'éviter des frais inutiles.

Vérifiez d'abord les points suivants :

- Y a-t-il une panne de courant dans le voisinage?
- Les fusibles ont-ils sauté ou le disjoncteur s'est-il déclenché?
- La cuisinière est-elle débranchée?

Si les brûleurs ne s'allument pas

- Les chapeaux des brûleurs sont-ils correctement alignés et posés sur les bases des brûleurs?
- Les orifices des brûleurs sont-ils bouchés?
- Un fusible a-t-il sauté ou le disjoncteur s'est-il déclenché?
- Le robinet manuel de coupure du gaz est-il fermé, empêchant l'arrivée de gaz?

Plaque signalétique

La plaque signalétique indique le modèle et le numéro de série de votre cuisinière. Elle se trouve dans l'espace créé entre le côté droit de la cavité du four et le panneau latéral de la cuisinière.

Les schémas de câblage électrique et les dessins placés dans la zone de la base ne doivent pas être enlevés sauf par un technicien de service. Remettez-les en place après l'entretien.

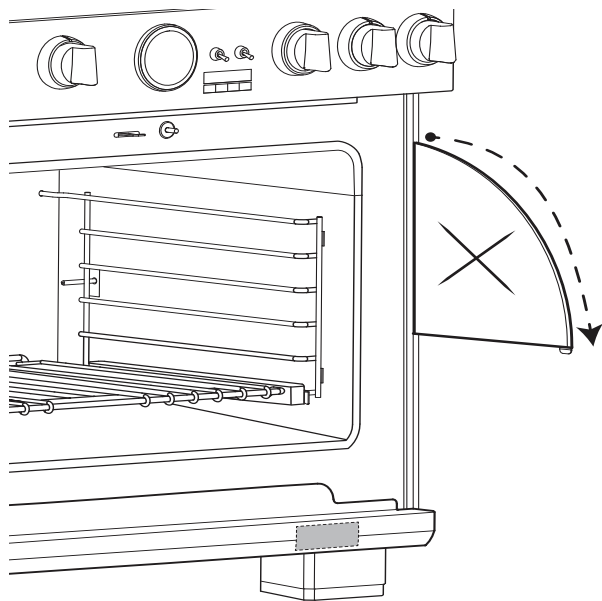


Figure 28 : Emplacement de la plaque signalétique

Renseignements pour le service technique

Pour une consultation facile, copiez les renseignements ci-dessous de la plaque signalétique située dans l'espace créé entre le côté droit de la cavité du four et le panneau latéral de la cuisinière. Conservez votre facture pour que votre garantie soit valide.

Numéro du modèle _____

Numéro de série _____

Date d'achat _____

Complétez également la carte d'enregistrement du produit comprise avec ce produit.

Enregistrez votre appareil auprès de BSH afin de vous assurer un service rapide et l'accès aux renseignements qui concernent votre appareil. Vous pouvez enregistrer votre appareil de l'une des façons suivantes :

1. Envoyez par la poste votre carte d'enregistrement de produit THERMADOR complétée.
2. Enregistrez votre produit en ligne à l'adresse www.thermador.ca.
3. Communiquez avec le service à la clientèle de THERMADOR au numéro 1-800-735-4328.

Dépannage

SYMPTÔME	CAUSE PROBABLE	SOLUTION
Production intermittente d'étincelles	<ul style="list-style-type: none"> L'allumeur en céramique est mouillé ou sale. Les orifices du brûleur sont bouchés. 	<ul style="list-style-type: none"> Séchez ou nettoyez soigneusement l'allumeur. Nettoyez les orifices de répartition de la flamme à l'aide d'un fil métallique, d'une aiguille ou d'un trombone déplié.
Plus de quatre déclics de l'allumeur avant que la flamme ne s'allume	<ul style="list-style-type: none"> Le chapeau du brûleur est mal posé sur sa base. 	<ul style="list-style-type: none"> Alignez bien le chapeau du brûleur sur la base du brûleur.
Production constante d'étincelles	<ul style="list-style-type: none"> La mise à la terre de la cuisinière a été mal faite. L'alimentation électrique est mal polarisée. 	<ul style="list-style-type: none"> Consultez les Instructions d'installation. Appelez un électricien qualifié pour qu'il effectue une mise à la terre adéquate pour la cuisinière.
Les dispositifs d'allumage produisent des étincelles, mais pas de flamme.	<ul style="list-style-type: none"> La vanne de l'approvisionnement en gaz est à la position « OFF ». 	<ul style="list-style-type: none"> Ouvrez la vanne d'approvisionnement en gaz de l'appareil.
La cuisinière ne fonctionne pas (les lumières, le four et les brûleurs ne s'allument pas)	<ul style="list-style-type: none"> Pas d'alimentation électrique. Le four est en mode Sabbat. 	<ul style="list-style-type: none"> Assurez-vous que le disjoncteur est à la bonne position. Assurez-vous que la tension de la ligne d'alimentation électrique est adéquate. Assurez-vous que le four n'est pas en mode Sabbat. Consultez la section « Utilisation de la cuisinière » dans le <i>Guide d'utilisation et d'entretien</i>.
Le four fonctionne avec le mode de cuisson au four, mais pas lors de l'utilisation de la minuterie	<ul style="list-style-type: none"> La minuterie n'est pas bien ajustée. 	<ul style="list-style-type: none"> Ajustez la minuterie selon les instructions fournies dans le <i>Guide d'utilisation et d'entretien</i>.
Message ERROR COMM	<ul style="list-style-type: none"> Pour garantir la sécurité des usagers dans le cas d'une panne d'alimentation, l'appareil affiche un message d'erreur lors du rétablissement de l'électricité à moins que tous les boutons de commandes soient à la position OFF. 	<ul style="list-style-type: none"> Placez tous les boutons de commande à la position OFF et réinitialisez le disjoncteur pour effacer le message.
L'ampoule du four ne s'allume pas.	<ul style="list-style-type: none"> L'ampoule est grillée. 	<ul style="list-style-type: none"> Remplacez l'ampoule du four selon les instructions fournies dans le <i>Guide d'utilisation et d'entretien</i>.
La porte ne s'ouvre pas.	<ul style="list-style-type: none"> Le four est encore en mode Autonettoyage. 	<ul style="list-style-type: none"> Si le four est chaud, le verrou de la porte s'ouvrira lorsque le four atteindra une température sécuritaire.
Les aliments ne cuisent pas suffisamment dans le four.	<ul style="list-style-type: none"> La grille ne se trouve pas à la bonne position. Le plat utilisé n'est pas adéquat. La porte du four n'est peut-être pas bien scellée. L'appareil n'est pas de niveau. 	<ul style="list-style-type: none"> Consultez la section « Utilisation de la cuisinière » dans le <i>Guide d'utilisation et d'entretien</i>. Consultez la section « Récipients recommandés » dans le <i>Guide d'utilisation et d'entretien</i>. Nettoyez le joint d'étanchéité de la porte du four. Remplacez-le s'il est usé. Consultez le <i>Manuel d'installation</i> pour obtenir des instructions sur le nivelage de l'appareil.
L'appareil dégage de l'air chaud.	<ul style="list-style-type: none"> Il est normal que, durant le processus de refroidissement, de l'air chaud soit évacué dans la pièce lorsque le four est allumé. Selon le mode utilisé, la vitesse du ventilateur augmente ou diminue. 	<ul style="list-style-type: none"> Cela est normal.

Énoncé de Garantie Limitée du Produit

Couverture de la garantie et à qui elle s'applique

La garantie limitée offerte par BSH Home Appliances Corporation (BSH) dans cet énoncé de garantie limitée du produit ne s'applique qu'à l'appareil THERMADOR® qui vous a été vendu, à titre de premier acheteur, pourvu que le produit ait été acheté :

- Pour une utilisation domestique normale (non commerciale) et qu'il n'ait été utilisé qu'à des fins domestiques normales.
- Neuf au détail (qu'il ne soit pas un modèle précédemment retourné, un modèle « tel-quel » ou un modèle de plancher) et non destiné à la revente ou à un usage commercial.
- Aux États-Unis ou au Canada, et qu'il soit demeuré en tout temps dans le pays de l'achat d'origine.

Les garanties énoncées dans les présentes ne s'appliquent qu'au premier acheteur du produit et ne sont pas transférables.

Veuillez vous assurer de retourner votre carte d'enregistrement ; bien que ce ne soit pas indispensable à la couverture de garantie. C'est toutefois le meilleur moyen pour BSH de communiquer avec vous, dans le cas peu probable d'un rappel de produit ou d'un avis de sécurité.

Durée de la garantie

Produit fabriqué avant le 1^{er} janvier 2012 dont le numéro est égal ou inférieur à FD911299999 : BSH garantit que le produit est exempt de défauts autant dans les matériaux que dans la main-d'oeuvre pour une période de (365) jours à partir de la date d'achat. Cette période commence dès la date de l'achat et ne peut pas être arrêtée, prolongée ou suspendue pour quelque raison que ce soit.

Produit fabriqué après le 1^{er} janvier 2012 dont le numéro est égal ou supérieur à FD920100000 : BSH garantit que le produit est exempt de défauts autant dans les matériaux que dans la main-d'oeuvre pour une période de sept cent trente (730) jours à partir de la date d'achat. Cette période commence dès la date de l'achat et ne peut pas être arrêtée, prolongée ou suspendue pour quelque raison que ce soit.

Ce Produit est également garanti contre tout défaut de matériau et de fabrication apparent (tels les éraflures sur l'acier inoxydable, les défauts d'aspect de la peinture ou de la porcelaine, les ébréchures, les bosselures, ou autres dégâts au fini du Produit), pendant une période de trente (30) jours à compter de la date d'achat ou de la date de clôture pour une nouvelle construction. Cette garantie

relative à l'apparence exclut les légères variations de couleur découlant des différences inhérentes aux pièces peintes et en porcelaine, ainsi que découlant des différences causées par l'éclairage de cuisine, l'emplacement du produit ou d'autres facteurs similaires. Cette garantie relative à l'apparence exclut plus particulièrement tout appareil électroménager en exposition, de plancher, « En l'état » ou de stock « B ».

Réparation ou remplacement comme recours exclusif

Durant cette période de garantie, BSH ou l'un de ses fournisseurs de service autorisés réparera votre appareil sans frais (sujet à certaines limitations établies dans les présentes) s'il est prouvé qu'une défektivité dans les matériaux ou la main-d'oeuvre affecte le fonctionnement de votre appareil. Si tous les efforts entrepris pour réparer l'appareil ont échoués, BSH remplacera votre appareil (un modèle plus récent pourrait vous être livré, à la seule discrétion de BSH, pour des frais additionnels). Toutes les pièces et composants deviendront la propriété de BSH. Toutes les pièces remplacées et/ou réparées assumeront l'identité de la pièce d'origine aux fins de cette garantie et cette garantie ne sera pas prolongée suite au remplacement de ces pièces. La seule responsabilité de BSH telle que décrite dans les présentes est de réparer un produit défectueux à la fabrication, en mandatant un fournisseur de service autorisé de BSH durant les heures d'affaire. Pour des raisons de sécurité et de dommages aux biens, BSH recommande de ne pas tenter de réparer vous-même le produit ou d'employer un fournisseur de services non autorisé. BSH n'accepte aucune responsabilité pour les réparations ou le travail effectué par un fournisseur de service non autorisé. Si vous acceptez qu'une personne autre qu'un fournisseur de service autorisé travaille à réparer votre produit, CETTE GARANTIE DEVIENDRA AUTOMATIQUEMENT NULLE ET NON AVENUE. Les fournisseurs de service autorisés sont les personnes morales ou sociétés spécialement formées pour réparer les produits BSH et qui possèdent, selon BSH, une réputation supérieure au niveau du service à la clientèle et des compétences techniques (notez qu'il s'agit d'entités indépendantes et non d'agents, partenaires, sociétés affiliées ou représentants de BSH). En dépit des énoncés ci-dessus, BSH n'accepte aucune responsabilité pour un appareil se trouvant dans une région éloignée (à plus de 200 km d'un fournisseur de service autorisé), ou dans un lieu ou un environnement inaccessible, dangereux, menaçant ou hasardeux ; dans un tel cas, si vous le demandez, BSH paiera pour les pièces et la main-d'oeuvre, et expédiera le tout au fournisseur de service autorisé le plus près. Vous serez toutefois entièrement responsable des frais de déplacement ou autres frais spéciaux engagés par la société de service, assumant que cette dernière accepte d'effectuer la réparation.

Appareil hors garantie

BSH n'est assujettie à aucune obligation, au titre de la loi ou autrement, de vous offrir des concessions, incluant les réparations, prorata ou remplacement de produit une fois cette garantie expirée.

Exclusions de la garantie

La garantie décrite dans les présentes exclut toutes les défauts ou dommages qui ne sont pas du fait direct de BSH, incluant, mais sans s'y limiter, un ou plusieurs des éléments suivants :

- Utilisation du produit pour quelque raison autre que son usage normal de la façon prévue (incluant mais sans s'y limiter, toute forme d'usage commercial, d'usage ou d'entreposage d'appareils pour l'intérieur à l'extérieur, d'usage de l'appareil avec tout moyen de transport maritime ou aérien).
- Toute conduite inappropriée, négligence, mauvais usage, abus, accident, utilisation inadéquate, absence d'entretien, installation inadéquate ou négligente, modification, non-respect des instructions d'utilisation, manutention inappropriée, réparations non autorisées (incluant les réparations « maison » ou l'exploration des mécanismes internes de l'appareil).
- L'ajustement, l'altération ou la modification de toute forme que ce soit.
- Le non-respect des codes du bâtiment, règlements ou lois de la ville, de la province ou du pays en matière d'électricité, de plomberie, incluant une installation non conforme aux règlements et codes du bâtiment et des services d'incendie.
- L'usure normale, les déversements d'aliments ou de liquides, les accumulations de graisse ou d'autres substances qui s'accumulent sur, dans ou autour de l'appareil.
- Toute force et facteur extérieur causé par les éléments ou l'environnement, incluant, mais sans s'y limiter, la pluie, le vent, le sable, les inondations, les coulées de boue, les températures extrêmes, l'humidité excessive ou l'exposition prolongée à l'humidité, la foudre, les pannes de courant, les défaillances structurales autour de l'appareil et les catastrophes naturelles.
- En aucun cas BSH ne peut être tenu responsable de dommages aux biens environnants, incluant les armoires de cuisine, les planchers, les plafonds et toute autre structure ou objet entourant l'appareil. Également exclus de cette garantie sont les appareils dont les numéros de série ont été modifiés, effacés ou rendus illisibles ; les visites de service visant à vous enseigner comment utiliser l'appareil ou les visites qui ne révèlent aucune défaillance à l'appareil ; la correction des problèmes d'installation (vous êtes seul responsable de la mise en place de l'appareil, notamment au niveau de l'électricité, de la plomberie et des autres installations de raccordement, des

fondations et planchers et des modifications incluant, mais sans s'y limiter, les armoires, les murs, les planchers, les étagères, etc.) et le réenclenchement des disjoncteurs ou le changement des fusibles.

SELON LES LIMITES PERMISES PAR LA LOI, CETTE GARANTIE VOUS ACCORDE DES RECOURS EXCLUSIFS RELATIVEMENT AU PRODUIT, QUE LA RÉCLAMATION SURVIENNENT DE PAR LE CONTRAT OU PAR DÉLIT CIVIL (INCLUANT LA RESPONSABILITÉ STRICTE OU LA NÉGLIGENCE) OU DE TOUTE AUTRE FAÇON. CETTE GARANTIE REMPLACE TOUTE AUTRE GARANTIE, QU'ELLE SOIT EXPRESSE OU IMPLICITE. TOUTE GARANTIE IMPLICITE EN VERTU DE LA LOI, QU'ELLE CONCERNE LA QUALITÉ MARCHANDE OU L'ADAPTATION À DES FINS PARTICULIÈRES, OU AUTREMENT, NE SERA EN VIGUEUR QUE POUR LA PÉRIODE PENDANT LAQUELLE LA GARANTIE EXPRESSE LIMITÉE EST EN VIGUEUR. EN AUCUN CAS LE FABRICANT NE PEUT ÊTRE TENU RESPONSABLE DES DOMMAGES INDIRECTS, PARTICULIERS, CONSÉCUTIFS, DÉCOULANT D'UNE « PERTE COMMERCIALE » ET/OU PUNITIFS, DES PERTES OU DÉPENSES, INCLUANT, MAIS SANS S'Y LIMITER, LE TEMPS PASSÉ LOIN DU TRAVAIL, LES HÔTELS ET/OU LES REPAS AU RESTAURANT, LES FRAIS DE REMODELAGE QUI DÉPASSENT LES DOMMAGES DIRECTS DÉFINITIVEMENT ET EXCLUSIVEMENT CAUSÉS PAR BSH OU AUTREMENT. CERTAINS ÉTATS OU PROVINCES NE PERMETTENT PAR L'EXCLUSION OU LA LIMITATION DES DOMMAGES CORRÉLATIFS OU IMPRÉVUS ET CERTAINS ÉTATS OU PROVINCES NE PERMETTENT PAS D'ACCORDER UNE LIMITE DE DURÉE À LA GARANTIE IMPLICITE. PAR CONSÉQUENT LES LIMITATIONS CI-DESSUS POURRAIENT NE PAS S'APPLIQUER À VOUS. CETTE GARANTIE VOUS ACCORDE DES DROITS LÉGAUX SPÉCIFIQUES ET VOUS POURRIEZ ÉGALEMENT DISPOSER D'AUTRES DROITS QUI VARIENT D'UN ÉTAT À L'AUTRE ET D'UNE PROVINCE À L'AUTRE.

Aucune tentative de modifier ou d'amender cette garantie ne sera considérée comme applicable à moins qu'elle n'ait été autorisée par écrit par un responsable de BSH.

Enregistrez votre appareil auprès de BSH afin de vous assurer un service rapide et l'accès aux renseignements qui concernent votre appareil. Vous pouvez enregistrer votre appareil de l'une des façons suivantes :

1. Envoyez par la poste votre carte d'enregistrement de produit THERMADOR complétée.
2. Enregistrez votre produit en ligne à l'adresse www.thermador.ca.
3. Communiquez avec le service à la clientèle de THERMADOR au numéro 1-800-735-4328.

THERMADOR® Support

Service

We realize that you have made a considerable investment in your kitchen. We are dedicated to supporting you and your appliance so that you have many years of creative cooking.

Please don't hesitate to contact our STAR™ customer support department if you have any questions or in the unlikely event that your THERMADOR appliance needs service. Our service team is ready to assist you.

USA:
800-735-4328
www.thermador.com/support

Canada:
800-735-4328
www.thermador.ca

Parts & Accessories

Parts, filters, descalers, stainless steel cleaners and more can be purchased in the THERMADOR eShop or by phone.

USA:
www.thermador-eshop.com

Canada:
Marcone 800-287-1627
or
Reliable Parts 800-663-6060

THERMADOR^{mc} Entretien

Entretien

Nous savons bien que vous avez investi une somme considérable dans votre cuisine. Nous nous faisons un devoir de vous soutenir pour que vous puissiez profiter pleinement d'une cuisine où vous pourrez exprimer toute votre créativité de nombreuses années durant.

N'hésitez pas à communiquer avec l'un des membres chevronnés de notre équipe de soutien au client si vous avez des questions ou dans le cas plutôt improbable où votre appareil THERMADOR aurait besoin d'entretien. Notre équipe sera prête à vous aider.

É.-U. :
800-735-4328
www.thermador.com/support

Canada :
800-735-4328
www.thermador.ca

Pièces et accessoires

Vous pouvez vous procurer par téléphone ou à notre boutique Thermador en ligne des pièces, des filtres, des produits nettoyants pour acier inoxydable et plus encore.

É.-U. :
www.thermador-eshop.com

Canada :
Marcone 800-287-1627
or
Reliable Parts 800-663-6060

Thermador 

REAL INNOVATIONS FOR REAL COOKS®

1901 Main Street, Suite 600, Irvine, CA 92614 • 800-735-4328 • www.thermador.com
9001104961 • Rev. A • 5U06U8 • © BSH Home Appliances Corporation, 05/15