

36" Professional Series Pro Harmony Standard Depth LP Range PRL366GH



PRL366GH Stainless steel

INNOVATION

- Exclusive, patented Star® Burner – most even heating, unsurpassed flame coverage
- Precision simmering capabilities as low as 100°F (375 BTU) with 2 ExtraLow® Simmer burners
- QuickClean Base® designed for easy surface cleaning

PERFORMANCE

- Professional style, continuous cast iron grates
- Continuous porcelain, easy to clean cooking surface
- Every burner 15,000 BTU (LP)
- Widest range of simmer options from 375 BTU to 3,000 BTU
- Star® design delivers superior heat spread for any size pan
- Simmer without stirring/scorching with exclusive ExtraLow®
- Powerful, 25,000 BTU bake and 19,000 BTU broil burners
- Convection Bake offers precise multi-level baking results
- Massive oven capacity of 5 cu.ft.
- Six rack levels for multiple item cooking
- Full Access® telescopic racks, integrated easy-grip handle
- Electronic oven control ensures precise heating
- Large oven door window for maximum viewing
- Powerful halogen lighting illuminates the oven cavity
- Sabbath mode

DESIGN

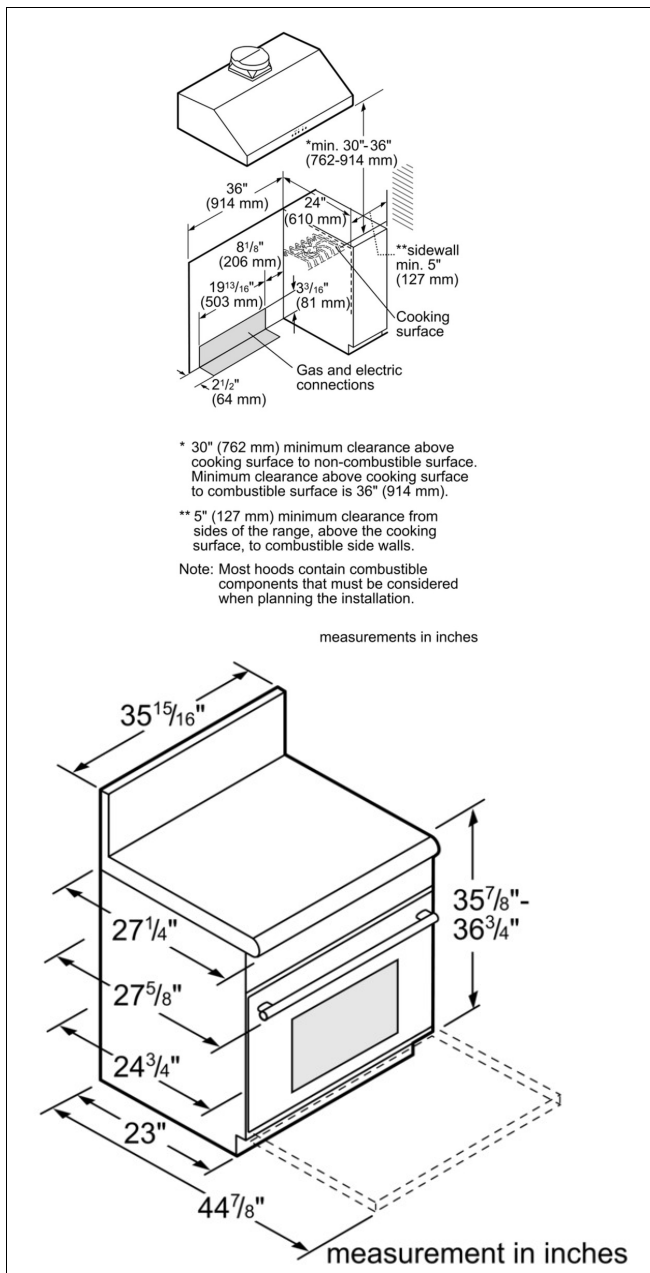
- Bold Professional design
- Truly Flush Mounted™, 24" standard cabinet depth
- Patented Pedestal Star® Burner with QuickClean Base®
- Restaurant style metal knobs
- Signature blue indicator lighting
- 36" units ship standard with island trim included

Optional accessories

PAGRIDDLE Professional Griddle Accessory

825225881308

36" Professional Series Pro Harmony Standard Depth LP Range PRL366GH



Product Features

- Total number of cooktop burners: 6
- Cooking method first cavity: Bake, Broil, Convection Bake
- Type of control: electronical
- Knob Material: Full metal
- Included accessories: 1 x island trim, 1 x Broiler pan
- Sealed Burners: Yes
- Number of Double grates: 3
- Number of gas burners: 6
- Location of 1st heating element: front left
- Power of 1st burner (BTU): 15000
- Location of 2nd heating element: back left
- Power of 2nd burner (BTU): 15000
- Location of 3rd heating element: middle back
- Power of 3rd burner (BTU): 15000
- Location of 4th heating element: back right
- Power of 4th burner (BTU): 15000
- Location of 5th heating element: front right
- Power of 5th burner (BTU): 15000
- Location of 6th heating element: front middle / central
- Power of 6th burner (BTU): 15000
- Safety device: automatic reignition, Overheating protection, Safety valve, Thermostat

Consumption and connection features

- UPC code: 825225881308
- Product color: Stainless steel
- Gas type: Liquid gas 27,5 mbar (USA)
- Alternative gas type:
- Natural Gas Connection Rating (BTU): 0
- Watts (W):
- Current (A): 15
- Volts (V): 120
- Frequency (Hz): 60
- Approval certificates: CSA
- Required cutout size (HxWxD) (in): 36" width slide-in
- Overall appliance dimensions (HxWxD) (in): 35 7/8" x 35 15/16" x 24 3/4"
- Variable cooker height (in): 7/8"
- AHAM volume (of cavity) - cavity 1: 4
- Product packaging dimensions (HxWxD) (in): 49 3/4" x 42 1/4" x 36 3/4"
- Net weight (lbs): 337
- Gross weight (lbs): 374

2013-07-12