

# INSTALLATION MANUAL

For Thermador Professional®  
PRO-HARMONY™ Gas Ranges

# MANUEL D'INSTALLATION

Pour les cuisinières de gaz  
Thermador Professional® PRO-HARMONY™

# MANUAL DE INSTALACIÓN

Para Estufas de Gas Thermador  
Professional® PRO-HARMONY™

Models/  
Modèles /  
Modelos:

PRG30  
PRG36  
PRG48

PRL30  
PRL36  
PRL48

**Thermador**® | *An American Icon*™

---

# Table of Contents

<b>Safety Instructions</b> . . . . .	<b>1</b>
<b>Important Installation Information</b> . . . . .	<b>2</b>
Step 1: Ventilation Requirements . . . . .	3
Step 2: Cabinet Preparation . . . . .	4
Step 3: Unpacking and Moving the Range . . . .	8
Step 4: Installing Anti-Tip Device . . . . .	9
Step 5: Gas Requirements and Hookup . . . . .	11
Step 6: Electrical Requirements, Connection & Grounding . . . . .	13
Step 7: Backguard Installation . . . . .	14
Step 8: Door Removal and Reinstallation . . . .	15
Step 9: Placing and Leveling the Range . . . . .	16
Step 10: Burner Test and Adjustment . . . . .	18
Installer Checklist . . . . .	19
<b>To Clean and Protect Exterior Surfaces</b> . . . . .	<b>19</b>

This Thermador Appliance is made by  
BSH Home Appliances Corporation  
5551 McFadden Ave.  
Huntington Beach, CA 92649

## Questions?

1-800-735-4328

[www.thermador.com](http://www.thermador.com)

**We look forward to hearing from you!**

# Safety Instructions



## Important Safety Instructions

PLEASE READ ENTIRE INSTRUCTIONS BEFORE PROCEEDING

**APPROVED FOR ALL RESIDENTIAL APPLIANCES**

**FOR RESIDENTIAL USE ONLY**

**IMPORTANT:** Save these Instructions for the Local Gas Inspector's use.

**INSTALLER:** Please leave these Instructions with this unit for the owner.

**OWNER:** Please retain these instructions for future reference.



### WARNING:

Disconnect power before installing. Before turning power **ON**, be sure that all controls are in the **OFF** position.

### Important:

Local codes vary. Installation, gas connections and grounding must comply with all applicable codes.

### WARNING:

If the information in this manual is not followed exactly, a fire or explosion may result causing property damage, personal injury or death.

- Do not store or use combustible materials, gasoline or other flammable vapors and liquids in the vicinity of this or any other appliance.
- WHAT TO DO IF YOU SMELL GAS
  - Do not try to light any appliance.
  - Do not touch any electrical switch.
  - Do not use any phone in your building.
  - Immediately call your gas supplier from a neighbor's phone. Follow the gas supplier's instructions.
  - If you cannot reach your gas supplier, call the fire department.
- Installation and service must be performed by a qualified installer, authorized service agency or the gas supplier.

### For Massachusetts Installations:

1. Installation must be performed by a qualified or licensed contractor, plumber or gas fitter qualified or licensed by the state, province or region where this appliance is being installed.
2. Shut-off valve must be a "T" handle gas cock.
3. Flexible gas connector must not be longer than 36 inches.



### WARNING:



- All Ranges can tip.
- Injury to Persons could result.
- Install Anti-Tip Device packaged with range.
- See Installation Instructions.

TO REDUCE THE RISK OF TIPPING OF THE APPLIANCE, IT MUST BE SECURED BY A PROPERLY INSTALLED ANTI-TIP DEVICE. VERIFY THAT THE ANTI-TIP DEVICE IS ENGAGED PER INSTALLATION INSTRUCTIONS. (**NOTE:** ANTI-TIP DEVICE IS REQUIRED ON ALL 30" AND 36" RANGES; 48" RANGES DO NOT REQUIRE AN ANTI-TIP DEVICE:)

### Note:

This Range is **NOT** designed for installation in manufactured (mobile) homes or for installation in Recreational Park Trailers.

**Do Not install this range outdoors.**

### GAS Type Verification

Verify the type of gas supplied to the location. Ensure that the appliance is connected to the type of gas for which it is certified. Ranges are certified for use with only natural gas or propane (LP) gas. Make certain the range matches the gas type available; these ranges are **NOT** convertible between gas types.

# Important Installation Information



## WARNING:

To avoid possible burn or fire hazard, a backguard designed specifically for this range must be installed whenever the range is used.

Refer to the “Chart C: Backguard Kit Model Numbers” on page 14, for the correct backguard models that are designed for this range. After selecting the correct backguard, the range must be installed properly, using the minimum clearances to combustible surfaces specified in the Cabinet Preparation instructions on page 4.

## Important:

- A backguard must be utilized when there is less than a 12" horizontal clearance between combustible materials and the back edge of the range. A Thermador backguard must be ordered separately and installed at the rear of the range. A Low Back is supplied with the 30" model, and all other models are supplied with a Flush Island Trim. For island installations and other installations with more than 12" clearance, an optional stainless steel Island Trim is available to cover the backguard mounting flanges.
- Verify that the appliance is correct for the type of gas being provided. Refer to Step 5 on page 11 before proceeding with the installation.



## CAUTION:

To eliminate risk of burns or fire caused by reaching over heated surface units, cabinet storage located above the surface units should be avoided.

## Gas Supply:

**Natural Gas** — 6 inch water column. (14.9 mb) min., 14 inch (34.9 mb) maximum

**Propane Gas** — 11 inch water column. (27.4 mb) min., 14 inch (34.9 mb) maximum

## Electric Power Supply:

### 30" Model:

4 Burners — 120 VAC, 60 Hz., 1Ph., 10 Amp circuit.

### 36" Models:

6 Burners — 120 VAC, 60 Hz., 1Ph., 10 Amp circuit  
4 Burners with Griddle — 120 VAC, 60 Hz., 1Ph., 20 Amp circuit.

### 48" Models:

6 Burners with Griddle — 120 VAC, 60 Hz., 1Ph., 20 Amp circuit.



## CAUTION:

When connecting the unit to propane gas, make certain the propane gas tank is equipped with its own high-pressure regulator in addition to the pressure regulator supplied with the range. **The maximum gas pressure to this appliance must not exceed 14.0 inches water column (34.9 mb) from the propane gas tank to the pressure regulator.**



## CAUTION:

This unit is designed as a cooking appliance. Based on safety considerations, never use it for warming or heating a room.

This appliance has been tested in accordance with ANSI Z21.1, Standard for Household Cooking Appliances (USA) and in accordance with CAN 1.1-M81 Domestic Gas Ranges (Canadian). It is strongly recommended that this appliance be installed in conjunction with a suitable overhead vent hood. (See Step 1 for Ventilation Requirements.) Due to the high heat capability of this unit, particular attention should be paid to the hood and duct work installation to assure it meets local building codes.

This appliance complies with one or more of the following standards:

- UL 858, Standard for the Safety of Household Electric Ranges
- UL 923, Standard for the Safety of Microwave Cooking Appliances
- UL 507, Standard for the Safety of Electric Fans
- ANSI Z21.1, American National Standard for Household Cooking Gas Appliances
- CAN/CSA-C22.2 No. 113-08 Fans and Ventilators
- CAN/CSA-C22.2 No. 61-08 Household Cooking Ranges

Check local building codes for the proper method of appliance installation. Local codes vary. Installation, electrical connections and grounding must comply with all applicable codes. In the absence of local codes the appliance should be installed in accordance with the National Fuel Gas Code ANSI Z223.1/ NFPA 54 current issue and National Electrical Code ANSI/NFPA 70 -current issue. In Canada, installation must be in accordance with the CAN 1-B149.1 and .2 – Installation Codes for Gas Burning Appliances and/or local codes.

It is the responsibility of the owner and the installer to determine if additional requirements and/or standards apply to specific installations.

# Step 1: Ventilation Requirements

It is strongly recommended that a suitable exhaust hood be installed above the range. Downdraft ventilation should not be used. The following table indicates the ventilation hood options and blower capacity guidelines that are recommended for use with all Thermador ranges.

## 1. Select Hood and Blower Models:

- For wall installations, the hood width must, at a minimum, equal the width of the range. Where space permits, a hood larger in width than the range may be desirable for improved ventilation performance.
- For island installations, the hood width should, at a minimum, overhang the range by 3" on each side.

### Important:

Ventilation hoods and blowers are designed for use with single wall ducting. However, some local building codes or inspectors may require double wall ducting. Consult local building codes and/or local agencies, before starting, to assure that hood and duct installation will meet local requirements.

Range Width	Range Top Configuration	Ventilation Options
30"	4 burners	30" or 36" Pro Wall Hood 30" or 36" Custom Insert w/ optional blower 42" Island Hood w/ optional blower
36"	4 burners with griddle	36" or 42" Pro Wall Hood 36" Custom Insert w/ optional blower
	6 burners	42" or 48" Island Hood w/ optional blower
48"	6 burners with griddle	48" or 54" Pro Wall Hood 48" Custom Insert w/ optional blower

### Important Notes:

It is recommended that a Thermador Professional wall or island hood or custom insert is used with Thermador Professional Ranges.

The HPWB or PH Professional Series Wall Hoods or the Professional Series Custom Inserts are recommended ventilation solutions for these ranges.

Refer to [www.thermador.com](http://www.thermador.com) for a complete selection of Professional Ventilation options, Blowers, and Accessories.

\* For high output gas ranges (60,000 BTU or greater), the minimum of one (1) CFM of ventilation per 100 BTU is recommended. If the range has a griddle, add 200 CFM to the estimated blower capacity. Additional blower capacity may be required for longer duct runs.

For island applications, it is recommended to use a hood width that exceeds the width of the range by 6" (overlapping the range by a minimum of 3" on each end).

CFM = "cubic feet per minute" (standard blower capacity rating).

Do not install a microwave oven/ventilator combination above the range, as these type of units do not provide the proper ventilation and are not suitable for use with the range.

## 2. Hood Placement:

- For best smoke elimination, the lower edge of the hood should be installed 30" above the range cooking surface. (See Figure 1).

### NOTICE:

Most range hoods contain combustible components which must be considered when planning the installation.

- If the hood contains any combustible materials (i.e. a wood covering), it must be installed a minimum of 40" above the cooking surface.

## 3. Consider Make-Up Air:

- Due to the high volume of ventilation air, a source of outside replacement air is recommended. This is particularly important for tightly sealed and insulated homes.
- A qualified heating and ventilating contractor should be consulted.

## Step 2: Cabinet Preparation

1. The range is a free standing unit. If the unit is to be placed adjacent to cabinets, the clearances shown in Figure 1 are required. The same clearances apply to island installations, except for the overhead cabinets, which must have a space wide enough to accept the flared island hood, as indicated in Figure 1.
2. These ranges may be recessed into the cabinets beyond the edge of the front face of the oven (See Figure 2).



### CAUTION:

In these installations, the door and cabinet can cause a pinching hazard.

3. The gas and electrical supply should be within the zone shown in Figure 3a.

### Note:

The maximum depth of over head cabinets installed on either side of the hood is 13" (330 mm).

A 40-inch minimum clearance is required between the top of the cooking surface and the bottom of an unprotected cabinet. A 30-inch clearance can be used when the bottom of the wood or metal cabinet is protected by not less than 1/4 inch of a flame retardant material covered with not less than No. 28 MSG sheet steel, 0.015 inch (0.4 mm) thick stainless steel, 0.024 inch (0.6 mm) aluminum, or 0.020 inch (0.5 mm) thick copper. Flame retardant materials bear the mark:

### UNDERWRITERS LABORATORIES INC. CLASSIFIED MINERAL AND FIBER BOARDS SURFACE BURNING CHARACTERISTICS

Followed by the flame spread and smoke ratings. These designations are shown as "FHC (Flame Spread/Smoke Developed)". Materials with "O" flame spread ratings are flame retardant. Local codes may allow other flame spread ratings.

4. Any openings in the wall behind the range and in the floor under the range must be sealed.
5. When there is less than a 12" horizontal clearance between combustible material  $\Delta$  and the back edge of the range above the cooking surface, a Thermador Low Back or Pot and Pan Shelf must be installed. (See Figure 2). When clearance to combustible material  $\Delta$  is over 12", a Thermador Flush Island Trim may be used. Figure 2 indicates the space required for each type of backguard.
6. Always keep appliance area clear and free from combustible materials, gasoline and other flammable vapors and liquids.

7. Do not obstruct the flow of combustion and ventilation air to the unit.
8. A 5 inch minimum clearance is needed when the range is installed beside a combustible side wall.

$\Delta$  As defined in the "National Fuel Gas Code" (ANSI Z223.1, NFPA 54 Current Edition).

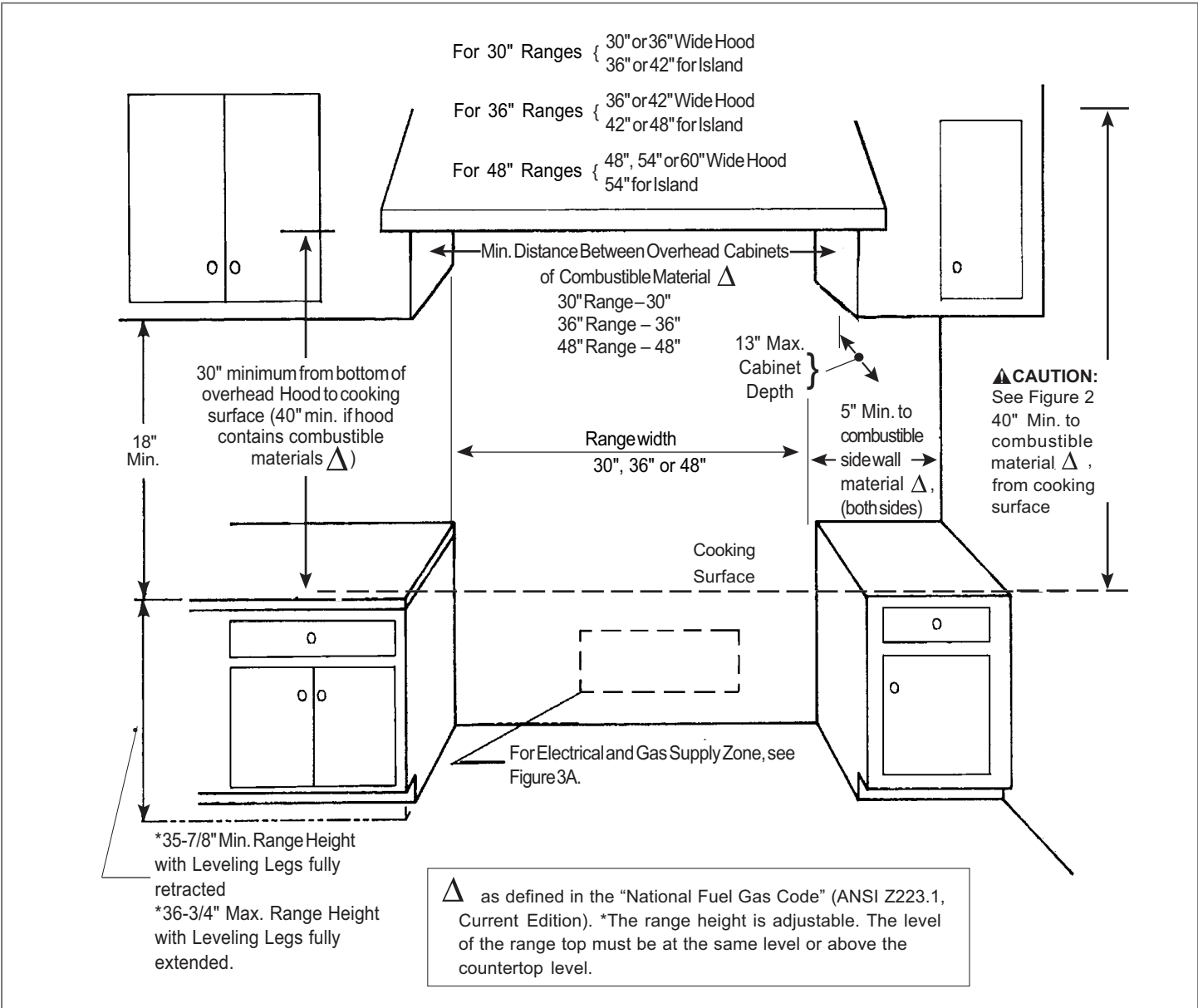
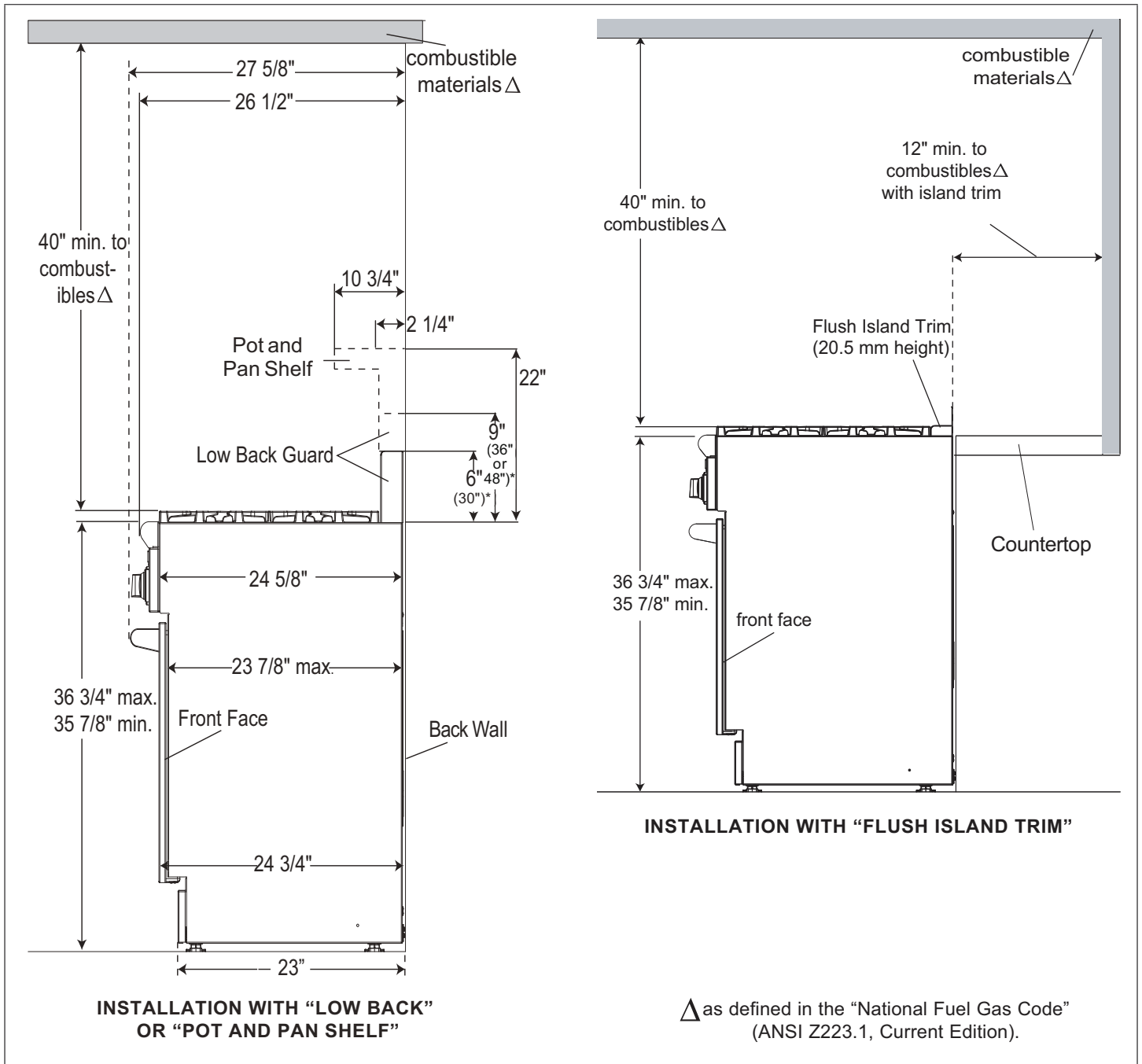


Figure 1: Cabinet Clearances



**Figure 2: Side View**

\* Refers to 30", 36" and 48" range models.

**Note:**

With the oven door fully open, the top of the door extends to 44-7/8" from the back wall, behind the range when installed. Installation must allow ample clearance for movement around the door when fully open.



# Gas and Electric Supply

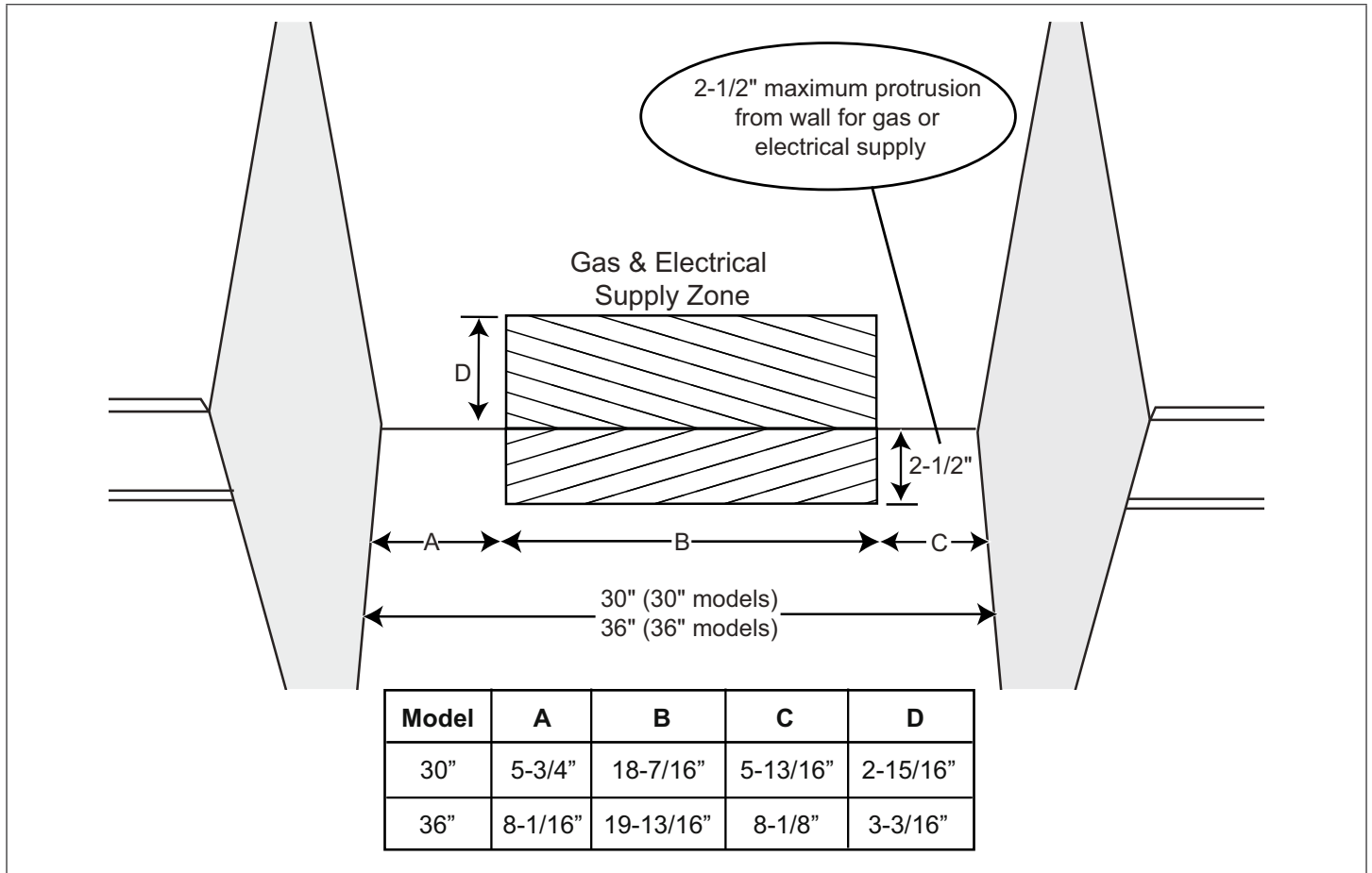


Figure 3a: Gas & Electrical Supply Locations for 30" and 36" Gas Ranges

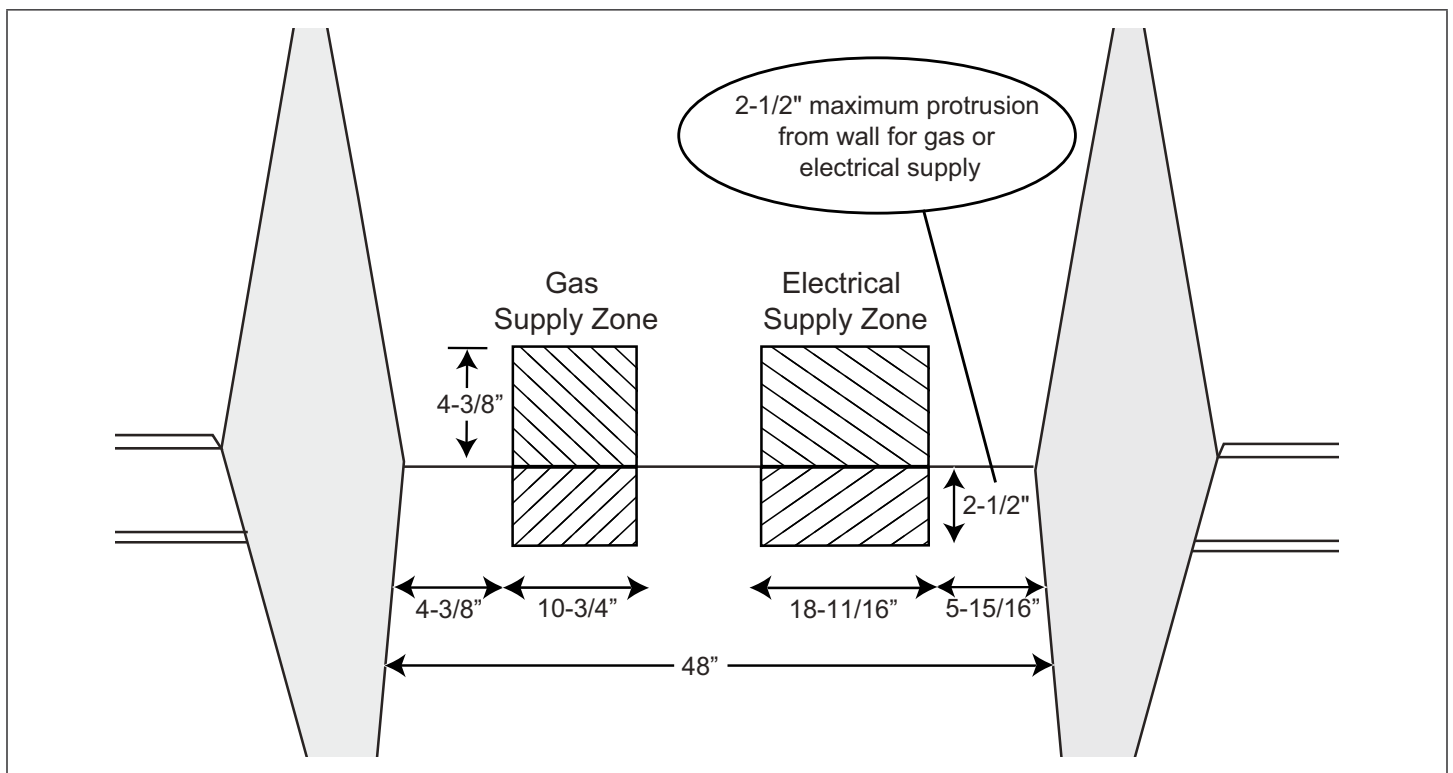


Figure 3b: Gas & Electrical Supply Locations for 48" Gas Ranges

**Note:**

If not already present, install gas shut-off valve in an easily accessible location. Make sure all users know where and how to shut off the gas supply to the range.

**Note:**

The installer should inform the consumer of the location of the gas shut-off valve.

**Note:**

Any opening in the wall behind the appliance and any opening in the floor under the appliance must be sealed.

The gas ranges may be connected to the power supply with the range supply cord supplied with the range or by hard-wiring to the power supply. It is the responsibility of the installer to provide the proper wiring components (cord or conduit and wires) and complete the gas connection as dictated by local codes and ordinances, and/or the National Electric Code. The units must be properly grounded. Refer to Step 6 for details.

**The range must be connected only to the type of gas for which it is certified.** If the range is to be connected to propane gas, ensure that the propane gas supply tank is equipped with its own high pressure regulator in addition to the pressure regulator supplied with the range. (See Step 5.)

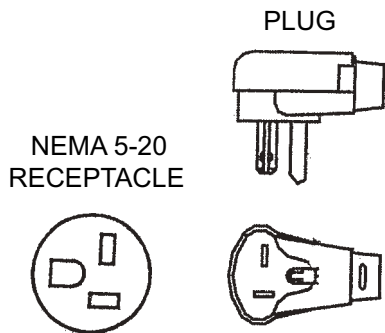
**Note:**

The range is designed for flush installation to the back wall. For a successful installation, it may be necessary to reposition the gas-supply line and electrical cord as the range is pushed back to its final position.

**SUGGESTION: This may be accomplished by carefully pulling on a rope or twine looped around the gas or electrical supply line as the range is pushed back into its final installed position.**

**Important:**

The cord supplied with the gas ranges, having an electric griddle, requires a NEMA 5-20 receptacle, shown here. Local codes may require a different wiring method.



## Electrical Supply

Installation of the range must be planned so that the rough-in of the junction box for the receptacle will allow maximum clearance to the rear of the unit. To minimize binding when the unit is connected to the receptacle or junction box, orient the receptacle and slide back into position.

When the power supply cord is connected to the mating receptacle, the combined plug/receptacle connection should protrude no more than 2-1/2" from the rear wall. See Figure 3b.

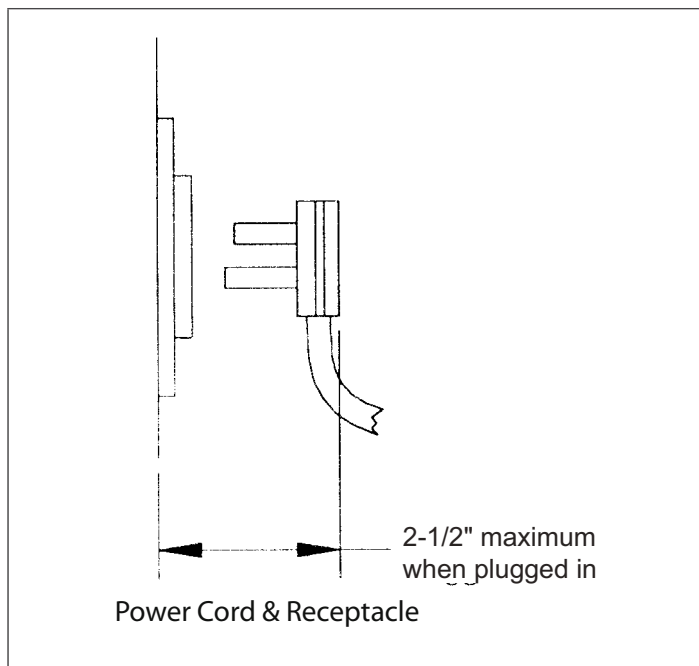


Figure 4: Wall Connection

## Step 3: Unpacking and Moving the Range



**CAUTION**

Proper equipment and adequate manpower must be used in moving the range to avoid injury, and to avoid damage to the unit or the floor. The unit is heavy and should be handled accordingly.

- The range has an approximate shipping weight as shown in Chart A. The literature packet with manuals, cooking grates, griddle plate, burner caps, front kick panel and oven racks must be removed to facilitate handling. Removing the door(s) is also recommended (See "Step 8: Door Removal and Reinstallation" on page 15). This will reduce the weight as shown in Chart A. See Figure 2 on page 6. **Do not remove the griddle element and tray assembly.**

- Remove the outer carton and packing material from the shipping pallet. The all gas ranges are held to the pallet by four (4) bolts (see Figure 5). The two front pallet bolts are accessible only after removing the Kick Panel. Remove the two screws below the lower corners of the oven cavity and lift the Kick Panel away from the two projections on the range's cast base that capture the bottom edge of the Panel. After removing the bolts, the range must be lifted and removed from the pallet.



**CAUTION:**

DO NOT lift the range by the oven door's handle, as this may damage the door hinges and cause the door to fit incorrectly to the oven cavity.

Chart A	30" Range	36" Range	48" Range
Shipping Weight	300 lbs.	335 lbs.	534 lbs.
Weight without packing materials	265 lbs.	300 lbs.	469 lbs.
Without door(s), burner caps, front kick panel and oven racks	142 lbs.	207 lbs.	322 lbs.

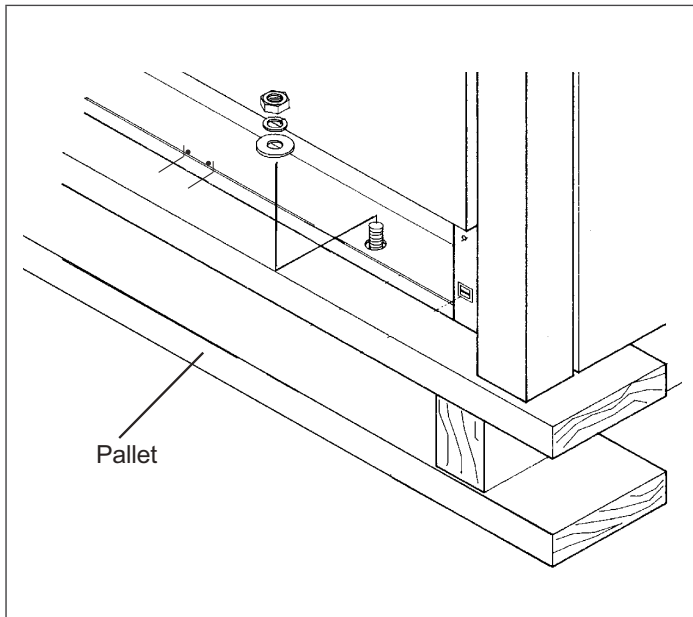


Figure 5: Removal of the Four (4) Shipping Bolts

**Note:**

Leave adhesive-backed foam layer over brushed-metal surfaces, to protect finish from scratches, until the range is installed in its final position.

- Due to the weight, a dolly with soft wheels should be used to move this unit. The weight must be supported uniformly across the bottom (See Figure 6).
- After transporting the range by dolly close to its final location, the range can be tipped back and supported on the rear legs while the dolly is carefully removed. **THE FLOOR UNDER THE LEGS SHOULD BE PROTECTED BEFORE PUSHING THE UNIT INTO POSITION.** The anti-tip device must be installed (STEP 4), gas and electrical connections should be made (STEPS 5 and 6), and the backguard installed (STEP 7) before the range is placed in its final position.
- Do not install the oven door(s) until the range is in its final location.

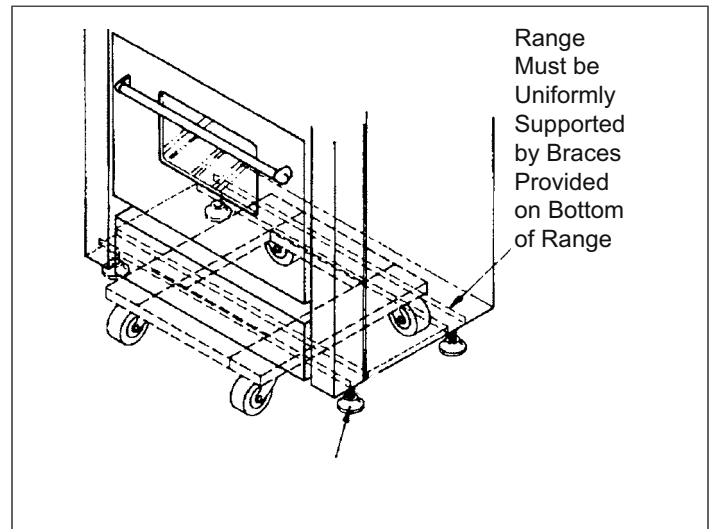


Figure 6: Dolly Positioning

Remove all tape and packaging before using the appliance. Destroy the packaging after unpacking the appliance. Never allow children to play with packaging material.

## Step 4: Installing Anti-Tip Device

For all 30" and 36" ranges, an anti-tip device must be installed per these instructions.



**WARNING — RANGE TIPPING HAZARD**

- All ranges can tip and injury can result. To prevent accidental tipping of the range, attach it to the floor, wall or cabinet by installing the Anti-Tip Device supplied.
- A risk of tip-over may exist if the appliance is not installed in accordance with these instructions.
- If the range is pulled away from the wall for cleaning, service or any other reason, ensure that the Anti-Tip Device is properly

reengaged when the range is pushed back against the wall. In the event of abnormal usage (such as a person standing, sitting, or leaning on an open door), failure to take this precaution can result in tipping of the range. Personal injury might result from spilled hot liquids or from the range itself.



### WARNING — ELECTRICAL SHOCK HAZARD

- Use extreme caution when drilling holes into the wall or floor. There may be concealed electrical wires located behind the wall or under the floor.
- Identify the electrical circuits that could be affected by the installation of the Anti-Tip Device, then turn off power to these circuits.
- Failure to follow these instructions may result in electrical shock or other personal injury.

- 3/16" carbide-tipped masonry drill bit (concrete or concrete block wall or floor)
- 3/16" anchors, drywall or concrete, 4 each (not required if mounting bracket is being attached to solid wood or metal)
- Hammer
- Pencil or other marker

### 30" and 36" Ranges

See Figure 7 and Figure 8.

Thermador Service Part No.	Qty	Description
415078	4	Screw, Phillips, #10 x 1-1/2"
647936	1	Anti-Tip Bracket, Floor-Mounted

### Important Installation Information:

- The anti-tip bracket may be attached to a solid wood cabinet having a minimum wall thickness of 3/4".
- The thickness of the wall or floor may require use of longer screws, available at your local hardware store.
- In all cases, at least two (2) of the bracket mounting screws must be fastened to solid wood or metal.
- Use appropriate anchors when fastening the mounting bracket to any material other than hard-wood or metal.

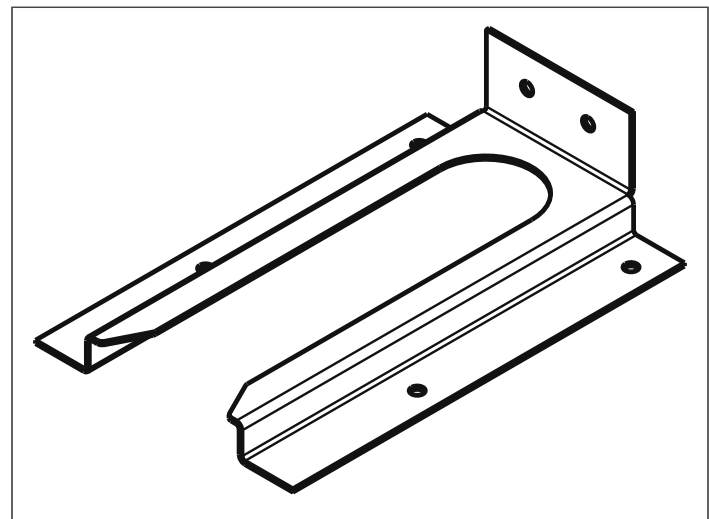


Figure 7: Anti-tip Bracket

#### Note:

48" Ranges do not require the Anti-Tip Bracket. This is due to the size and weight distribution of the 48" models.

### WARNING:

- All Ranges can tip.
- Injury to Persons could result.
- Install Anti-Tip Device packaged with range.
- Verify that the anti-tip device is engaged.
- See Installation Instructions.

### ATTENTION — PROPERTY DAMAGE

- Contact a qualified installer or contractor to determine the proper method for drilling holes through the wall or floor material (such as ceramic tile, hardwood, etc.)
- Do not slide the range across an unprotected floor.
- Failure to follow these instructions may result in damage to wall or floor coverings.

### Tools Needed for Installation of Anti-Tip Device:

- Screwdriver, Phillips
- Drill, electric or hand
- Measuring tape or ruler
- 1/8" drill bit (wood or metal wall or floor)

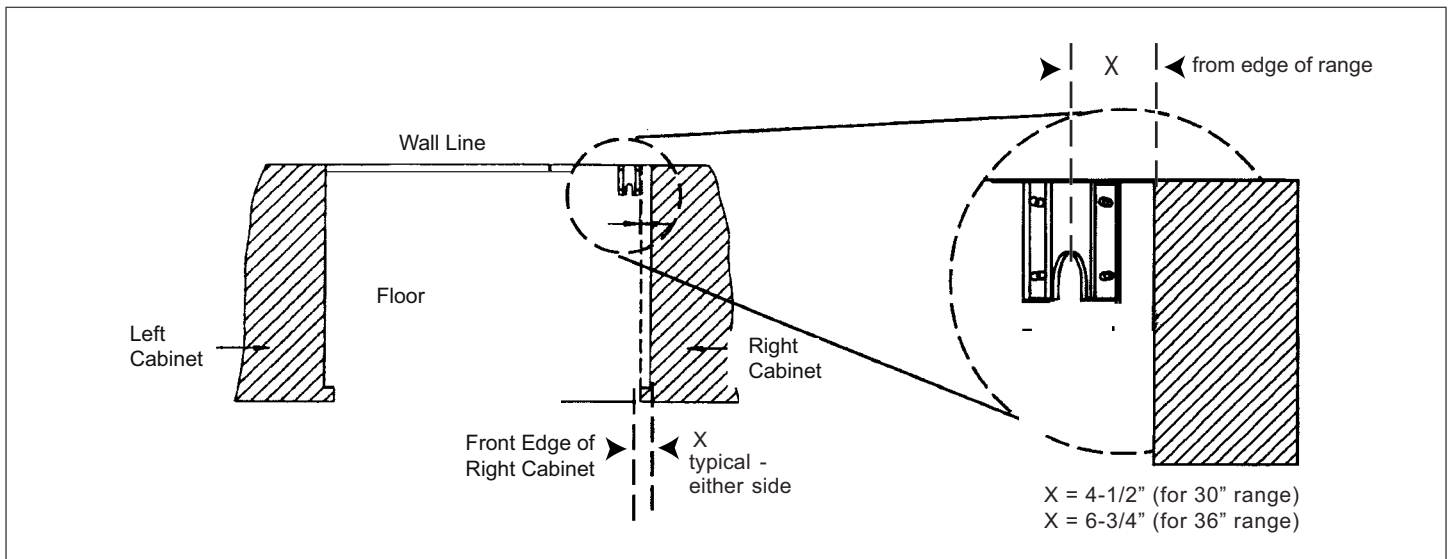


Figure 8: Placement of Anti-Tip Bracket (Top View)

- Prepare holes at fastener locations as identified below:
  - For walls, wall studs, or floors composed of solid wood or metal, drill 1/8" pilot holes.
  - For walls or floors composed of drywall, sheet-rock or other soft materials, drill 3/16" holes to a minimum depth of 1-3/4", then tap plastic anchors into each of the holes using a hammer.
  - For walls or floors composed of concrete or concrete block, drill 3/16" holes to a minimum depth of 1-3/4", then tap concrete anchors into each of the holes using a hammer.
  - For walls or floors having ceramic tile covering, drill 3/16" holes through the tile only, then drill into the material behind the tile as indicated immediately above.
- If the range is moved to a new location, the Anti-Tip Device must be removed and reinstalled.

## Mounting Anti-Tip Bracket

The alternative floor mounted bracket shall be installed as follows:

1. Place bracket on floor in position shown in Figure 8 (Bracket may be used in either corner of the installation area).
2. Secure to floor or wall stud.
3. Later, when the unit is installed, the adjustable leg will slide under the bracket.

## Step 5: Gas Requirements and Hookup

Verify the type of gas being used at the installation site. **As shipped from the factory, units are configured for use with only natural gas or propane (LP) gas. Make certain the range matches the type of gas available at this location. These ranges are NOT convertible between different types of gas.**

For installation of the appliance at high altitude, please consult your local gas company for their recommendation of the correct orifice sizes and any other necessary adjustments that will provide proper gas combustion at specified altitudes.



### CAUTION

When connecting unit to propane gas, make certain the propane gas tank is equipped with its own high pressure regulator in addition to the pressure regulator supplied with the appliance. The pressure of the gas supplied to the appliance regulator must not exceed 14" (34.9 mb) water column.

### Natural Gas Requirements:

Inlet Connection:	1/2" NPT internal (Minimum 3/4" dia. flex line.)
Supply Pressure:	6" min. to 14" max. water column. (14.9 to 34.9 mb)
Manifold Pressure:	5" water column (12.5 mb)

### Propane Gas Requirements:

- Inlet Connection: 1/2" NPT internal  
(Minimum 3/4" dia. flex line.)
- Supply Pressure: 11" min. to 14"max. water column.  
(27.4 mb to 34.9 mb)
- Manifold Pressure: 10" water column (24.9 mb)



### WARNING

Gas line must not come in contact with any components inside back cover of range.

## Hook Up

- **A manual gas shut-off valve must be installed external to the appliance, in a location accessible from the front, for the purpose of shutting off the gas supply.** The supply line must not interfere with the back of the unit. Make sure the gas supply is turned off at the manual shut-off valve before connecting the appliance.
- The range is supplied with its own pressure regulator that has been permanently mounted within the range body.
- Use 3/4" flex line to connect between the gas supply and the appliance gas inlet, located at the lower right portion of the range. (See Figure 9.) The appliance inlet pipe connection is 1/2" NPT. Use caution to avoid crimping the 3/4" flex line when making bends. Suggested length of flex line is 48", however, please check local codes for your area's requirements before installation.
- The gas supply connections shall be made by a competent technician and in accordance with local codes or ordinances. In the absence of local codes, the installation must conform to the National Fuel Gas Code ANSI Z223.1/NFPA54- current issue.
- Always use pipe sealing compound or Teflon® tape on the pipe threads, and be careful not to apply excessive force when tightening the fittings.
- Leak testing of the appliance shall be in accordance with the following instructions.
  - Turn on gas and check supply line connections for leaks using a soap and water solution.
  - Bubbles forming indicate a gas leak. Repair all leaks immediately after finding them.



### WARNING

Do not use a flame of any kind to check for gas leaks.



### CAUTION:

The appliance must be isolated from the gas supply piping system by closing its individual manual shut-off valve during any pressure testing of the gas supply piping system at test pressures equal to or less than 1/2 psig (3.5kPa.).

The appliance and its individual shut off valve must be disconnected from the gas supply piping system during any pressure testing of the system at test pressures in excess of 1/2 psig (3.5kPa.).

When checking the manifold gas pressure, the inlet pressure to the regulator should be at least 6.0" (14.9 mb) W.C. for natural gas or 11.0" (27.4 mb) for propane.

Do not attempt any adjustment of the pressure regulator.

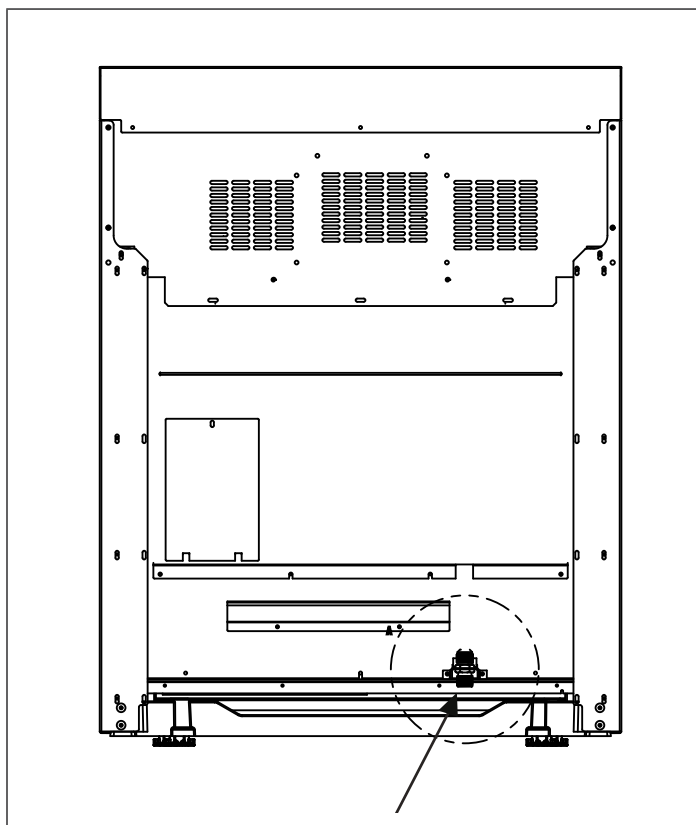


Figure 9: Location of Gas Supply Inlet Connection

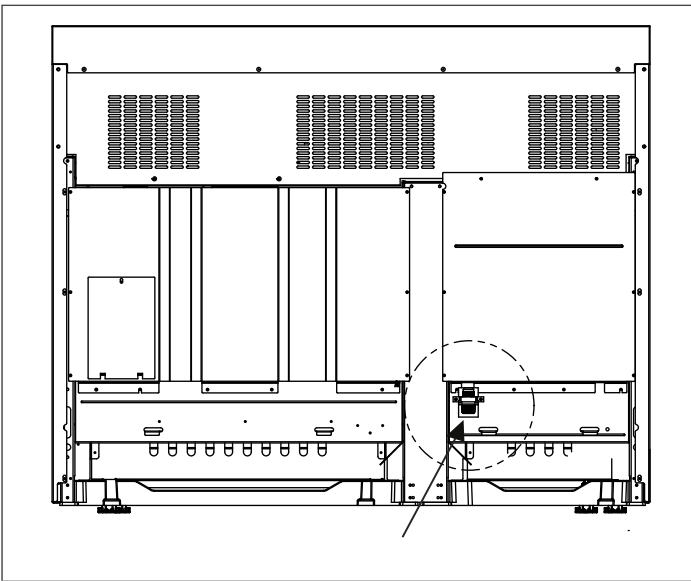


Figure 10: Location of Gas Supply Inlet Connection on 48" Ranges

## Step 6: Electrical Requirements, Connection & Grounding

Before installing, turn power **OFF** at the service panel. Lock service panel to prevent power from being turned ON accidentally.

Chart B: Electrical Supply Circuit Requirements

MODEL TYPE	VOLTAGE	CIRCUIT RATING	FREQUENCY	PHASE
30"	120 VAC	10 Amps	60 Hz.	Single
36"	120 VAC	10 Amps	60 Hz.	Single
36" with griddle	120 VAC	20 Amps	60 Hz.	Single
48" with griddle	120 VAC	20 Amps	60 Hz.	Single

- For these gas range models, a neutral supply wire must be provided from the power source (breaker/fuse panel) because critical range components, including the surface burner spark reignition modules, require 120 VAC to operate safely and properly.



### WARNING

An improper 120 VAC power supply will cause malfunction, damage to this appliance, and possibly create a condition of shock hazard.

- If the correct power supply circuit is not provided, it is the responsibility and obligation of the installer and user to have proper power supply connected. This must be accomplished in accordance with all applicable local codes and ordinances by a qualified electrician. In the absence of local codes and ordinances, the power supply connection shall be in accordance with the National Electrical Code.

- Observe all governing codes and ordinances when grounding. In the absence of these codes or ordinances observe National Electrical Code ANSI/NFPA No. 70 current issue.
- Electric wiring diagrams and schematics have been placed in the toe kick area of the range for access by a qualified service technician.
- Before you plug in an electrical cord, be sure all controls are in the **OFF** position.
- For appliances equipped with a cord and plug, do not cut or remove the ground prong. It must be plugged into a matching grounding type receptacle to avoid electrical shock. If there is any doubt as to whether the wall receptacle is properly grounded, the customer should have it checked by a qualified electrician.
- Installer — show the owner the location of the circuit breaker or fuse. Mark it for easy reference.

**Important:**

Dedicated 20 AMP service is required for range with electric griddle.

**Step 7: Backguard Installation**

- The backguard must be attached before sliding the range into the final, installed position. A Low Back or Pot-and-Pan Shelf must be installed when there is less than 12" clearance from a combustable back wall and the back of the range above the cooking surface.
- A Flush Island Trim is available for covering the back area of the range for island installations; however, the Flush Island Trim can only be used where there is a minimum of 12" horizontal clearance between a combustable back wall and the back of the range.
- The backguard is inserted inside the guide channels on the back of the range, as shown in the illustration. (Remove the griddle plate for sufficient installation clearance on griddle models.) Using a T-20 size Torx driver, fasten the backguard with four (4) Torx-head screws to the range's side panels, two (2) screws to the range's back panel, and four (4) screws to the area around the cooling blower.
- To secure the front of the backguard, install three (3) of the Torx head screws through the lower front panel of the backguard, into the flange at the back of the range's cooktop.
- The Pot-and-Pan Shelf requires pre-assembly of the top panel to the shell using nine (9) of the enclosed Torx-head screws. For sufficient load strength, YOU MUST attach the two (2) Torx-head screws through the back corners of the top down into the shell.
- The Pot-and-Pan Shelf provides a shelf above the cooktop to keep foods hot or store cooking pans. **OBSERVE CAUTIONS.**

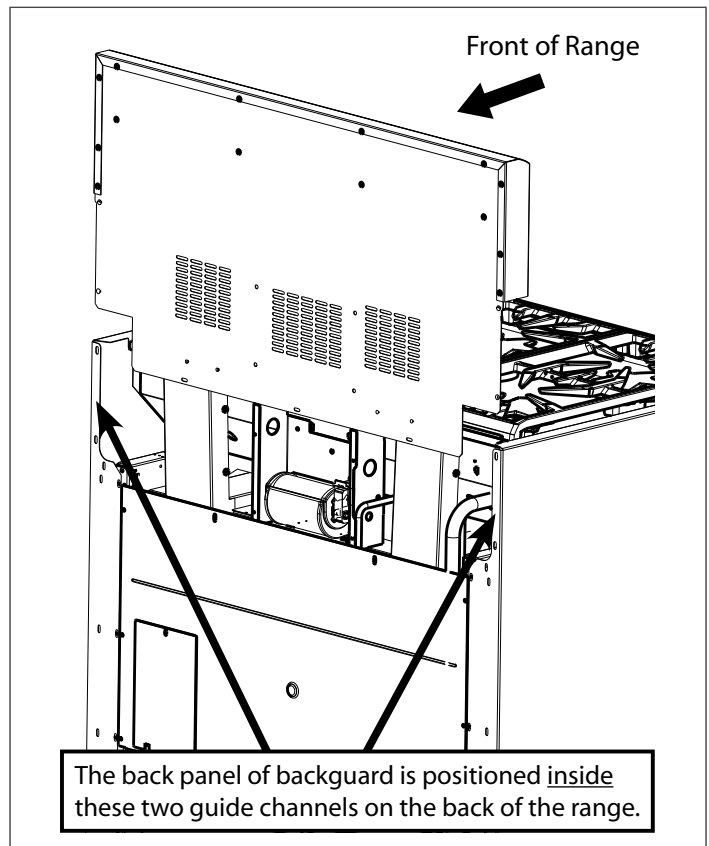


Figure 11: Backguard Installation



**WARNING**

Fingers or hand could get pinched when installing the backguard. Severe injury could result. Use extreme caution and wear thick protective gloves to avoid potential cut or laceration to finger or hand while sliding the backguard down onto the range.



**WARNING**

To avoid possible burn or fire hazard, a backguard designed specifically for this range must be installed whenever the range is used.



**CAUTION**

The Pot and Pan Shelf can get very hot! DO NOT place the following items on top of the Pot and Pan Shelf:

- plastics or containers that can melt
- flammable items
- a total load over 30 pounds (13.6kg)

Chart C: Backguard Kit Model Numbers

Range Width	6" Std. Low Back	9" Low Back	22" Pot and Pan Shelf	Flush Island Trim
30"	Included with Range	N/A	PA30GSHS	PA30GITH
36"	N/A	PA36GLBH	PA36GSHS	Included with Range
48"	N/A	PA48GLBH	PA48GSHS	Included with Range



## Step 8: Door Removal and Reinstallation



### CAUTION

USE CAUTION WHEN REMOVING THE DOOR. THE DOOR IS VERY HEAVY.

- Make sure oven is cool and power to oven has been turned off before removing the door. Failure to do so could result in electrical shock or burns.
- The oven door is heavy and fragile. Use both hands to remove or replace the door.
- Grasp only the sides of the oven door when removing or replacing it.
- Failure to grasp the oven door firmly and properly could result in personal injury and product damage.
- With the door off, never release the levers and try to close the hinges. Without the weight of the door, the powerful springs will snap the hinges closed with great force.

### To Remove the Oven Door:

1. Fully open the oven door.
2. Flip the hinge clip toward you (see illustration at right).
3. Close the door until it stops; the open hinge clip will hold the door about halfway open.
4. Grasp the door on the sides. The door is heavy and fragile - always use both hands. Lift the door up and out (there will be some spring resistance to overcome). When the front of the door is high enough, you will be able to pull the door straight out.
5. Place the door in a safe and stable location.

### To Reinstall the Oven Door:

1. Hold door on both sides. Insert hinges into hinge slots. The door will be about halfway open. It may be necessary to press firmly inward on the lower portion of the door, using a rocking motion to fully seat the door's hinges.
2. Open door all the way to expose hinge clips. Push hinge clips away from you (toward the oven) until they meet the hinge.
3. Close and open the door slowly to test the installation. It should open and close smoothly and be straight, not crooked.

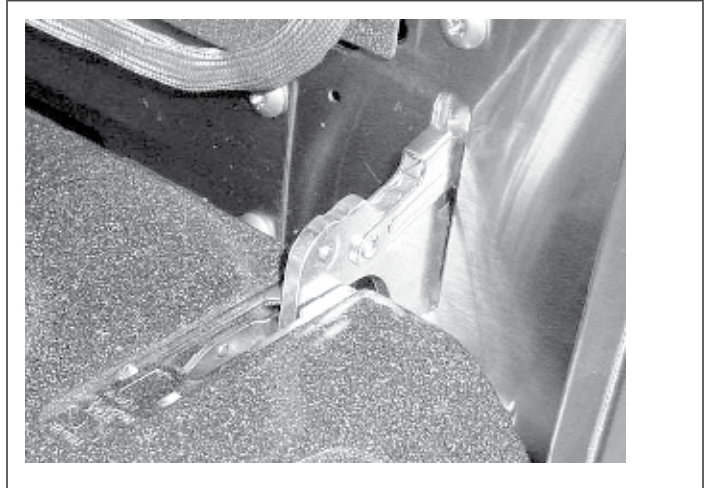


Photo A: Hinge bracket in closed position

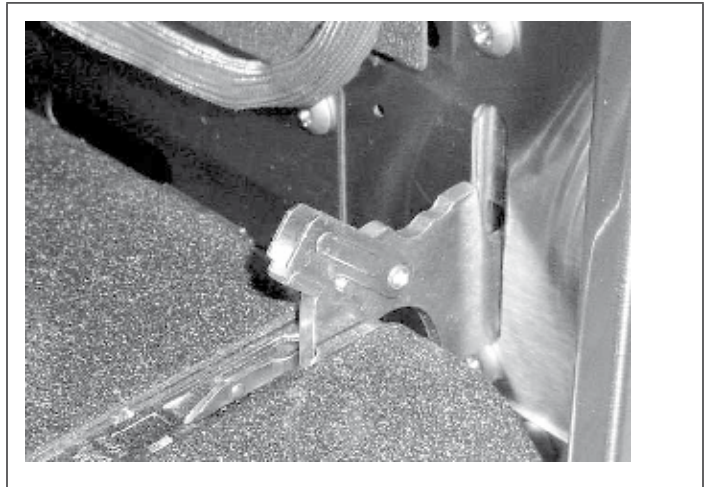


Photo B: Flip hinge clip toward you

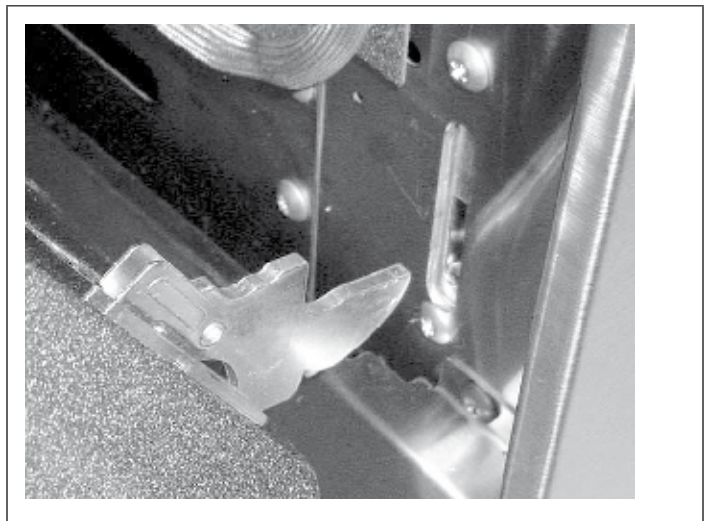


Photo C: Hinge removed from oven

## Step 9: Placing and Leveling the Range

- For proper performance, the **range must be level**. (This is very important for all products that have the griddle feature.)
- The range has four leveling legs that are threaded into the cast aluminum base. The range is leveled by rotating the legs using a 3/8" socket or a wrench on the hex flats at the top of each leg, or using an adjustable wrench on the flats on the sides of the foot (See Figure 12).
- Progression of the height adjustments should be alternated proportionally between the four legs, until the top edges of the range's side panels are close to matching the countertop height.



### CAUTION

The top edges of the range's side panels must be on the same or higher level as the adjacent countertop. If the range is operated while at a lower height relative to the adjacent cabinet, the cabinet could be exposed to excessive temperatures, causing damage to the cabinet and countertop (See Figure 12).

- Final height adjustments of the two rear legs take place before moving the range into its installed position in the cabinet.
- As the range is moved into its final, installed position, verify that one of the rear range feet has properly engaged the Anti-Tip Bracket (See Step 4). This can be verified by viewing through the opening near the floor with the Kick Panel removed.

### NOTICE:

Due to their size and weight distribution, the 48" ranges do not require the use of the Anti-Tip Bracket.

- With the range in the installed position, the final height adjustments are made to the two front legs to ensure proper alignment to the countertop.

### Note:

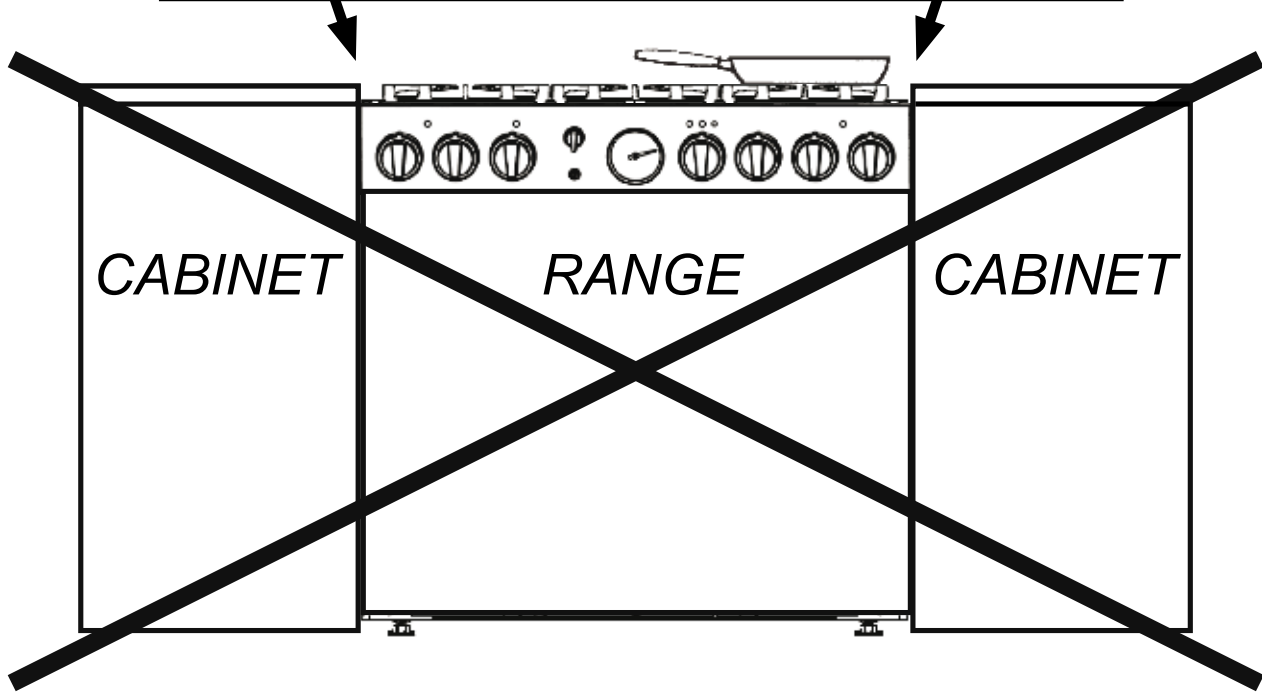
It is assumed that the countertop adjacent to the range has been properly leveled.

- After the Range is properly leveled, replace the Kick Panel and re-install the Oven Door (See "Step 8: Door Removal and Reinstallation" on page 15). **It is important that the two (2) screws retaining the Kick Panel are secure to prevent accidental access to hot surfaces.**
- Ensure that the burner caps are correctly seated on the burner bases of the range's cooktop.

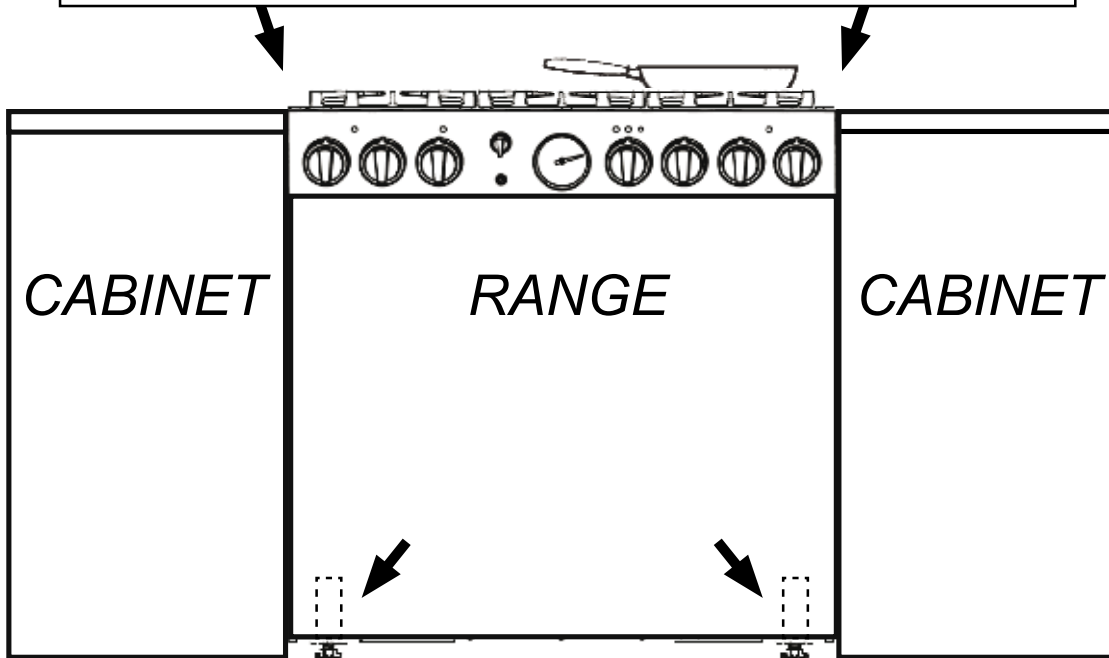
## Griddle Tilt Adjustment (Not All Models)

Check the griddle adjustment by pouring two tablespoons of water on the back of the griddle plate. The water should slowly roll into the grease tray. If not, adjust the two screws under the back of the griddle plate. Start with one half turn counter-clockwise (CCW) of the screws. Further adjustment should be made by one-quarter turn until water slowly flows into the grease tray.

**⚠ CAUTION:** DO NOT operate range if sides are lower than the adjacent cabinet. This may damage the cabinet and countertop due to excessive temperatures.



**CORRECT!** – Leveling legs should be adjusted so that range sides are at the same or higher level as the adjacent cabinet.



Each Leveling Leg can be adjusted using a 3/8" socket or wrench on the top of the leg, or using an adjustable wrench on the flats on the sides of the foot.

Figure 12: Adjusting the height of the Range

## Step 10: Burner Test and Adjustment

Install any loose components, such as burner caps and grates, that may have been removed earlier. Be certain that burner caps seat properly into the burner bases. Before testing operation of the appliance, verify that the unit and the gas supply have been carefully checked for leaks and that the unit has been connected to the electrical power supply. Turn the gas shut-off valve to the open position.

### Test Rangetop Burners

**Test Burner Ignition.** Select a rangetop burner knob. Push in and turn counterclockwise to **HI**. The ignitor/spark module will produce a clicking sound. Once the air has been purged from the supply lines, the burner should light within four (4) seconds.

**Test Flame: High Setting.** Turn burner on to **HI**. See Figure 13 for appropriate flame characteristics.

If any of the rangetop burners continue to burn mostly or completely yellow, verify that the burner cap is positioned properly on the burner base, then retest. If flame characteristics do not improve, call Thermador.

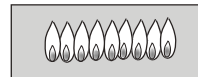
**Test Flame: Low Setting.** Turn burner on to **SIM**. Verify that the flame travels complete around the burner. This is known as “carry over”. There should be a flame at each burner port and there should be no air gap between the flame and the burner. If any burners do not “carry over”, call Thermador.

The two left burners feature **XLO**, that causes the flame to cycle on and off when the knob is set to the **XLO** range. This is normal operation.

Repeat these Ignition and Flame Test procedures for each rangetop burner.

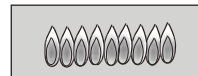
#### Yellow Flames:

Further adjustment is required.



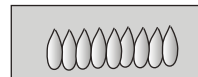
#### Yellow Tips on Outer Cones:

Normal for LP Gas.



#### Soft Blue Flames:

Normal for Natural Gas.



If the flame is completely or mostly yellow, verify that the regulator is set for the correct fuel. After adjustment, retest.

Some orange-colored streaking is normal during the initial start-up.

Allow unit to operate 4-5 minutes and re-evaluate before making adjustments.

Figure 13: Flame Characteristics

### When Flame is Properly Adjusted:

- **There should be a flame at each burner port.**
- **There should be no air gap between the flame and burner port.**

### Test Oven Burners

**Remove the oven bottom cover.** Remove the 4 screws on the sides and the 2 screws on the back, then slide the cover forward while lifting to clear the angled baffle plate mounted to the bottom of the cover.

#### Note:

The air shutter for the bake burner is set at the factory for fully-open position under all conditions, and does not require adjustment.

### Test Bake Burner Ignition

Set the oven to **BAKE** at 350°F. After 30-75 seconds, the burner will ignite. The burner will stay lit until 350°F is reached and then shut off. From this point forward, the burner will cycle on and off to maintain the temperature.

## Test Broil Burner Ignition

Set cooking mode to **BROIL**. The burner will ignite after 30-75 seconds.

The infrared ceramic broiler does not have an air shutter, so no adjustment is provided.

**Replace oven bottom cover.** Slide cover into place and reattach to bottom of oven cavity.

Call Thermador if:

1. Any of the burners do not light.
2. The broil burner or bake burner flame goes out before the oven heats to the desired temperature.
3. Any of the burners continue to burn yellow.

## Installer Checklist

### Final Check List

- Specified clearances maintained to cabinet surfaces.
- Unit Level – front to back – side to side.
- Burner caps positioned properly on burner bases.
- All packaging material removed, including any remaining adhesive-backed foam on brushed-metal surfaces.
- Island trim or backguard attached. Backguard needed if horizontal clearance to combustible materials behind range is less than 12”.
- Check door fit to oven cavity. Reinstall door if necessary (See door reinstallation procedure at the bottom of page 15.)
- Kick panel in place and two (2) screws secure.
- **INSTALLER:**  
Write the model number and serial number in the Care and Use Manual (page 34).

Leave the Care and Use Manual and Installation Instructions with the owner of the appliance.

- The griddle plate is correctly positioned, tilted slightly forward. (See page 16 for adjustment procedure.)

## Gas Supply

- Connection: 1/2" N.P.T. with a minimum 3/4" diameter flex line - suggested length four (4) ft., depending upon local codes.
- The appliance is connected only to the type of gas for which it is certified for use.
- Manual gas shut off valve installed in an accessible location (without requiring removal of range).
- Unit tested and free of gas leaks.
- Gas supply pressure does not exceed 14" W.C. (34.9 mb).
- If used on propane gas, verify that the propane gas supply is equipped with its own high pressure regulator in addition to the pressure regulator supplied with the appliance.

## Electrical

- Receptacle with correct over-current protection is provided for cord connection.
- Proper ground connection.
- Proper polarity at receptacle.

## Operation

- Bezels centered on burner knobs, and knobs turn freely.
- Each burner lights satisfactorily, both individually and with other burners operating.
- Oven door hinges seated and hinge locks in proper position. Door opens and closes properly.
- Burner grates correctly positioned, level, and do not rock.

---

# To Clean and Protect Exterior Surfaces

The stainless steel surfaces may be cleaned by wiping with a damp soapy cloth, rinsing with clear water and drying with a soft cloth to avoid water marks. Any mild glass cleaner will remove fingerprints and smears.

For discolorations or deposits that persist, refer to the Care and Use Manual.

To polish and protect the stainless steel, use a cleaner/polish such as Stainless Steel Magic®.

DO NOT allow deposits to remain for long periods of time.

DO NOT use ordinary steel wool or steel brushes. Small bits of steel may adhere to the surface causing rust.

DO NOT allow salt solutions, disinfectants, bleaches or cleaning compounds to remain in contact with stainless steel for extended periods. Many of these compounds contain chemicals which could prove harmful. Rinse with water after exposure and wipe dry with a clean cloth.

---

# Table des matières

**Consignes de sécurité . . . . . 1**

**Informations importantes  
concernant l'installation . . . . . 2**

**Chapitre 1 : Exigences pour la ventilation . . . . 3**

**Chapitre 2 : Préparation de l'emplacement . . . 4**

**Chapitre 3 : Déballage, manutention et  
mise en place de la cuisinière . . . . . 9**

**Chapitre 4 : Installation du dispositif  
antibasculé . . . . . 10**

**Chapitre 5 : Exigences de l'alimentation  
en gaz et raccordement . . . . . 12**

**Chapitre 6 : Exigences pour l'alimentation  
électrique, le branchement et la mise à la terre 14**

**Chapitre 7 : Installation du dossier . . . . . 14**

**Chapitre 8 : Retrait et installation de la porte 16**

**Chapitre 9: Mise en place et au niveau  
de la cuisinière . . . . . 17**

**Chapitre 10 : Test et réglage des brûleurs . . . 19**

**Liste de vérification pour l'installateur . . . . . 20**

**Nettoyage et protection des  
surfaces externes . . . . . 20**

Cet appareil électroménager de Thermador est fait par

BSH Home Appliances Corporation

5551 McFadden Ave.

Huntington Beach, CA 92649

**Questions ?**

1-800-735-4328

[www.thermador.com](http://www.thermador.com)

**Nous attendons de vos nouvelles !**

# Consignes de sécurité



## Consignes de sécurité importantes

VEUILLEZ LIRE TOUTES LES INSTRUCTIONS AVANT D'UTILISER CET APPAREIL

APPROUVÉ POUR TOUT APPAREIL RÉSIDENTIEL

POUR UTILISATION RÉSIDENTIELLE SEULEMENT

**IMPORTANT :** Conservez ces instructions pour l'inspecteur local de la compagnie de gaz.

**INSTALLATEUR :** Veuillez laisser ces instructions d'installation avec l'appareil pour le propriétaire.

**PROPRIÉTAIRE :** Veuillez conserver ces instructions pour consultation ultérieure.



### AVERTISSEMENT :

Coupez l'électricité avec d'installer l'appareil. Avant de remettre l'électricité, assurez-vous que toutes les commandes sont à la position **OFF**.

### Important :

Les réglementations locales varient. L'installation, les raccordements au gaz et les mises à la terre doivent être conformes à toutes les réglementations applicables.

### AVERTISSEMENT :

L'information fournie dans le présent manuel doit être rigoureusement suivie, sous risque d'incendie ou d'explosion susceptible d'entraîner des

- Ne stockez pas et n'utilisez pas d'essence ou autres produits inflammables à proximité de l'appareil.
- SI VOUS DÉTECTEZ UNE ODEUR DE GAZ
  - N'allumez aucun appareil.
  - Ne touchez pas aux interrupteurs électriques.
  - N'utilisez pas les téléphones du bâtiment.
  - Appelez immédiatement votre compagnie de gaz de chez un voisin. Suivez les instructions de la compagnie.
  - Si vous n'arrivez pas à contacter votre compagnie de gaz, appelez les pompiers.
- L'installation et les réparations doivent être réalisées par un installateur qualifié ou un

### Pour les installations au Massachusetts :

1. L'installation doit être réalisée par un entrepreneur qualifié ou accrédité, un plombier ou un installateur de gaz qualifié ou autorisé par l'État ou la région dans laquelle cet appareil est installé.
2. Le robinet d'arrêt de gaz doit être pourvu d'une poignée en « T ».
3. La longueur maximale autorisée du tuyau de gaz

### AVERTISSEMENT



- Toutes les cuisinières peuvent basculer.
- Des personnes peuvent être blessées.
- Installez les dispositifs antibascule fournis avec la cuisinière.

AFIN DE DIMINUER LES RISQUES DE BASCULEMENT, INSTALLEZ UN DISPOSITIF ANTIBASCULE. ASSUREZ-VOUS QUE LE DISPOSITIF ANTIBASCULE EST BIEN EN PLACE, CONFORMÉMENT AUX INSTRUCTIONS D'INSTALLATION (REMARQUE : LE DISPOSITIF ANTIBASCULE EST OBLIGATOIRE POUR TOUTES LES CUISINIÈRES DE 76,2 CM [30"] ET DE 91,4 CM [36 "]). LE DISPOSITIF ANTIBASCULE N'EST PAS

### Remarque :

Cette cuisinière **N'EST PAS** conçue pour les maisons mobiles ni pour les véhicules récréatifs.

**N'installez PAS** cet appareil dehors.

# Informations importantes concernant l'installation

## Vérification du type de gaz

Vérifiez le type de gaz fourni sur les lieux d'installation. L'appareil doit être raccordé au type de gaz pour lequel il est certifié. Toutes les cuisinières sont certifiées pour une utilisation avec gaz naturel ou gaz propane seulement. Assurez-vous que la cuisinière correspond au type de gaz disponible; ces appareils ne sont pas convertibles pour tous les types de gaz.



### AVERTISSEMENT :

Pour éviter les risques de brûlures ou d'incendie, un dossier conçu spécifiquement pour la cuisinière doit être installé chaque fois que la cuisinière est utilisée.

Voir « **Tableau C : Numéro de modèle de dossier** » à la page 15 pour les modèles de dossier appropriés pour cet appareil. Une fois le dossier choisi, l'appareil doit être installé adéquatement en utilisant les espaces libres minimaux pour surfaces combustibles spécifiés dans les instructions de préparation d'armoire, à la page 4.

## Important :

- On doit mettre en place un dossier lorsque l'espace horizontal entre les matériaux combustibles et le bord arrière de la cuisinière est de moins de 30,5 cm (12 po). D'autres dossiers disponibles peuvent être commandés séparément et installés à l'arrière de la cuisinière. Un dossier bas est fourni avec le modèle de 30 po, alors que tous les autres modèles sont vendus avec une garniture d'îlot encastrée. Pour les installations en îlot et autres installations avec un espace de plus de 30,5 cm (12 po), une garniture en acier inoxydable est vendue en option afin de recouvrir les brides de montage du dossier.
- Assurez-vous que l'appareil convient au type de gaz fourni. Consultez le Chapitre 5, page 12, avant de procéder à l'installation.



### ATTENTION

Afin d'éliminer les risques de brûlures ou d'incendie provoqués par la chaleur, il est conseillé d'éviter d'installer des armoires au-dessus de la table de cuisson de l'appareil.

## Alimentation en gaz :

**Gaz naturel** — 14,9 mb min. (6 po, C.E.), à 34,9 mb max. (14 po, C.E.)

**Gaz propane** — 27,4 mb min. (11 po, C.E.), 34,9 mb max. (14 po).

## Alimentation électrique :

### Modèles de 76,2 cm (30 po) :

Brûleurs 4 : 120 VCA, 60 Hz, monophasé, circuit de 10 A.

### Modèles de 91,4 cm (36 po) :

Brûleurs 6 : 120 VCA, 60 Hz, monophasé, circuit de 10 A.

Brûleurs 4 avec gril : 120 VCA, 60 Hz, monophasé, circuit de 20.

### Modèles de 121,9 cm (48 po) :

Brûleurs 6 avec gril : 120 VCA, 60 Hz, monophasé, circuit de 20.



### ATTENTION

Si l'appareil est alimenté au gaz propane, assurez-vous que le réservoir de propane est équipé de son propre détendeur en plus du détendeur fourni avec la cuisinière. **La pression maximum d'arrivée du gaz de cet appareil ne doit pas dépasser les 34,9 millibars (14 po C.E.) entre le réservoir de propane et le détendeur.**



### ATTENTION

Cet appareil est conçu pour un usage culinaire. Pour des raisons de sécurité, ne l'utilisez jamais pour chauffer une pièce.

Cet appareil a été testé conformément à la norme américaine ANSIZ21.1 pour les appareils électroménagers de cuisson au gaz et à la norme canadienne CAN 1.1-M81 sur les cuisinières à gaz ménagères. On recommande fortement d'installer une hotte de ventilation adaptée au-dessus de cet appareil. Comme cet appareil peut dégager une forte chaleur, on doit porter une attention particulière aux travaux d'installation des conduits et de la hotte, lesquels doivent être conformes à la réglementation locale de construction.

Cet appareil est conforme à une ou plusieurs normes suivantes :

- UL 858, norme pour la sécurité des cuisinières électriques domestiques
- UL 923, norme pour la sécurité des appareils à cuisson aux micro-ondes
- UL 507, norme pour la sécurité des ventilateurs électriques
- ANSI Z21.1, norme nationale américaine pour appareils ménagers de cuisson au gaz
- CAN/CSA-C22.2 n° 113-M1984 ventilateurs et hottes
- CAN/CSA-C22.2 n° 61-08 cuisinières ménagères



Vérifiez la réglementation locale en vigueur pour connaître la bonne méthode d'installation de l'appareil. Les réglementations locales varient. L'installation, le branchement électrique et la mise à la terre doivent respecter toutes les réglementations en vigueur. S'il n'y a pas de réglementation, l'appareil doit être installé conformément aux normes américaines en vigueur sur le gaz combustible ANSI Z223.1/NFPA54 et l'électricité ANSI/NFPA70. Au Canada, l'installation doit être conforme aux normes canadiennes CAN 1-B149.1 et CAN 1-B149.2 du code du bâtiment pour l'installation d'appareils fonctionnant au gaz, et/ou au code de construction local.

Il incombe au propriétaire et à l'installateur de déterminer si des exigences et/ou des normes additionnelles s'appliquent à l'installation spécifique.

## Chapitre 1 : Exigences pour la ventilation

Il est **fortement recommandé** d'installer une hotte de ventilation appropriée au-dessus de la cuisinière. Une ventilation par contre-tirage ne devrait pas être utilisée. Le tableau ci-dessous énumère, par numéro de modèle, les hottes Thermador que l'on conseille d'utiliser avec les cuisinières.

### 1. Choix du modèle de hotte et de ventilateur :

- Pour les installations murales, la largeur de la hotte doit être au moins égale à celle de la cuisinière. Si l'espace le permet, il est souhaitable d'installer une hotte plus large que la cuisinière pour améliorer les performances de ventilation.
- Pour les installations en îlot, la largeur de la hotte devrait dépasser d'au moins 7,62 cm (3 po) des deux côtés de la cuisinière.

Largeur de cuisinière	Configuration de surface de cuisinière	Options de ventilation
30"	4 brûleurs	Hotte Pro Wall de 30 ou 36 po 30 ou 36 po sur mesure avec soufflerie optionnelle Hotte d'îlot 42 po avec soufflerie optionnelle
36"	4 brûleurs avec grille	Hotte Pro Wall de 36 ou 42 po 36 po sur mesure avec soufflerie optionnelle
	6 brûleurs	Hotte d'îlot de 42 ou 48 po avec soufflerie optionnelle
48"	6 brûleurs avec grille	Hotte Pro Wall de 48 ou 54 po 48 po sur mesure avec soufflerie optionnelle

### Important :

Les hottes de ventilation et les ventilateurs sont conçus pour un seul conduit mural. Certaines réglementations municipales du bâtiment exigent toutefois un double conduit. Consultez les normes applicables et/ou la municipalité avant de débiter les travaux pour vous assurer que l'installation des conduits répond aux exigences locales.

N'installez PAS un combiné hotte/four à micro-ondes au-dessus des surfaces de cuisson. Ces appareils n'assurent pas une ventilation appropriée et ne conviennent pas aux surfaces de cuisson.

### 2. Emplacement de la hotte :

- Pour une meilleure élimination de la fumée, le bord inférieur de la hotte doit être placé à une distance de 76,2 cm (30 po) au-dessus de la table de cuisson. Consultez la Figure 1.

### AVIS :

La plupart des cuisinières comprennent des éléments combustibles qui doivent être pris en considération lors de la planification de l'installation.

- Si la hotte contient des matériaux combustibles (comme par exemple du placage en bois), elle doit être installée au moins 101,6 cm (40") au-dessus de la table de cuisson.
- ### 3. Apport d'air :
- Un important volume d'air étant nécessaire pour la ventilation, il est recommandé de prévoir un apport d'air de l'extérieur. Cet aspect revêt une importance particulière dans les logements bien isolés et très étanches.
  - Il est conseillé de consulter un entrepreneur en chauffage et en climatisation.

Largeur de cuisinière	Configuration de surface de cuisinière	Options de ventilation
-----------------------	--	------------------------

**Remarques importantes :**

Il est recommandé que la hotte Professional Thermador murale ou îlot sur mesure soit utilisée avec les cuisinières Professional Thermador.

Les hottes murales de la gamme professionnelle HPWB ou PH or les insertions sur mesure gamme professionnelle sont des solutions de ventilation recommandées pour ces cuisinières.

Consultez le [www.Thermador.com](http://www.Thermador.com) pour la sélection complète des options de ventilation, de souffleries et des accessoires de cette gamme de produits.

\* Pour les cuisinières à gaz à rendement élevé (60 000 BTU ou plus), une ventilation minimale de 1 pi<sup>3</sup>/min par 100 BTU est recommandée. Si la cuisinière est dotée d'un gril, ajouter 200 pi<sup>3</sup>/min à la capacité de soufflerie estimée. Une capacité additionnelle peut être requise pour des conduits plus longs.

Dans le cas des applications avec îlots, il est recommandé d'utiliser une hotte dont la largeur excède celle de la cuisinière de 6 po (minimum 3 po de chaque côté).

pi<sup>3</sup>/min = pied cube par minute (cote standard pour la capacité d'une soufflerie).

## Chapitre 2 : Préparation de l'emplacement

1. La cuisinière est un appareil monobloc. Si elle est placée au milieu des armoires, les espaces libres requis sont indiqués à la Figure 1. Les mêmes dégagements s'appliquent aux installations en îlot, excepté pour les armoires suspendues, qui doivent laisser un espace suffisamment grand pour poser la hotte d'îlot évasée, comme le montre la Figure 1.
2. Les cuisinières peuvent être encastrées entre les armoires au-delà de l'avant du four (Voir Figure 2). Figure 2



**ATTENTION**

Dans ce type d'installation, la porte et l'armoire peuvent comporter un risque de pincement.

3. Les entrées d'électricité et de gaz doivent se trouver dans les zones indiquées à la Figure 3a. Figure 3

**Remarque :**

La profondeur maximale des armoires en hauteur installées d'un côté ou de l'autre de la hotte est de 33 cm (13 po).

Un espace libre minimal de 40 po est nécessaire entre le dessus de la surface de cuisson et le dessous d'une armoire non protégée. Si le dessous de l'armoire en bois ou en métal est protégé par un matériau ignifuge d'au moins 6,35 mm (1/4 po) revêtu d'une feuille d'acier no 28 MSG d'au moins la même épaisseur, de 0,4 mm (0.015 po) d'acier inoxydable, de 0,6 mm (0.024 po) d'aluminium ou de 0,5 mm (0.02 po) de cuivre, la distance minimale est de 91,4 cm (36 po). Les matériaux ignifuges portent la marque :

UNDERWRITERS LABORATORIES INC.  
 CARACTÉRISTIQUES DE COMBUSTION DES SURFACES EN PANNEAU DE FIBRES ET PLANCHES DE TYPE MINÉRAL CLASSIFIÉES

Suivie des taux de progression des flammes et de la fumée. Ces désignations sont indiquées par « FHC » (Flame Spread/Smoke Developed - Progression des flammes/Production de fumée). Les matériaux ayant un taux « O » de progression de flammes sont ignifuges. La réglementation municipale peut autoriser un taux de progression des flammes différent.

4. Toute ouverture dans le mur qui se trouve derrière la cuisinière et dans le plancher sous la cuisinière doit être refermée.
5. Si la distance entre un matériau combustible  $\Delta$  et le bord arrière de la cuisinière au-dessus de la table de cuisson est de moins de 30,5 cm (12 po), il est obligatoire d'installer un dossier bas ou une tablette à casserole Thermador (voir Figure 2). Avec un dégagement au matériau combustible  $\Delta$  de 12 po et plus, la garniture d'îlot encastrée Thermador peut être utilisée. Les Figure 2 indiquent l'espace libre nécessaire pour chaque type de plaque de protection.
6. L'appareil ne doit jamais se trouver à proximité de matériaux combustibles, d'essence et d'autres produits inflammables (vapeurs ou liquides).
7. L'air de combustion et de ventilation arrivant à l'appareil doit pouvoir circuler librement dans les conduits.
8. Un espace libre minimal de 5 po est nécessaire lorsque la cuisinière est installée à côté d'un mur latéral combustible.

$\Delta$  Tel que défini dans le code national de combustible à gaz (ANSI Z223.1, NFPA 54 dernière édition).

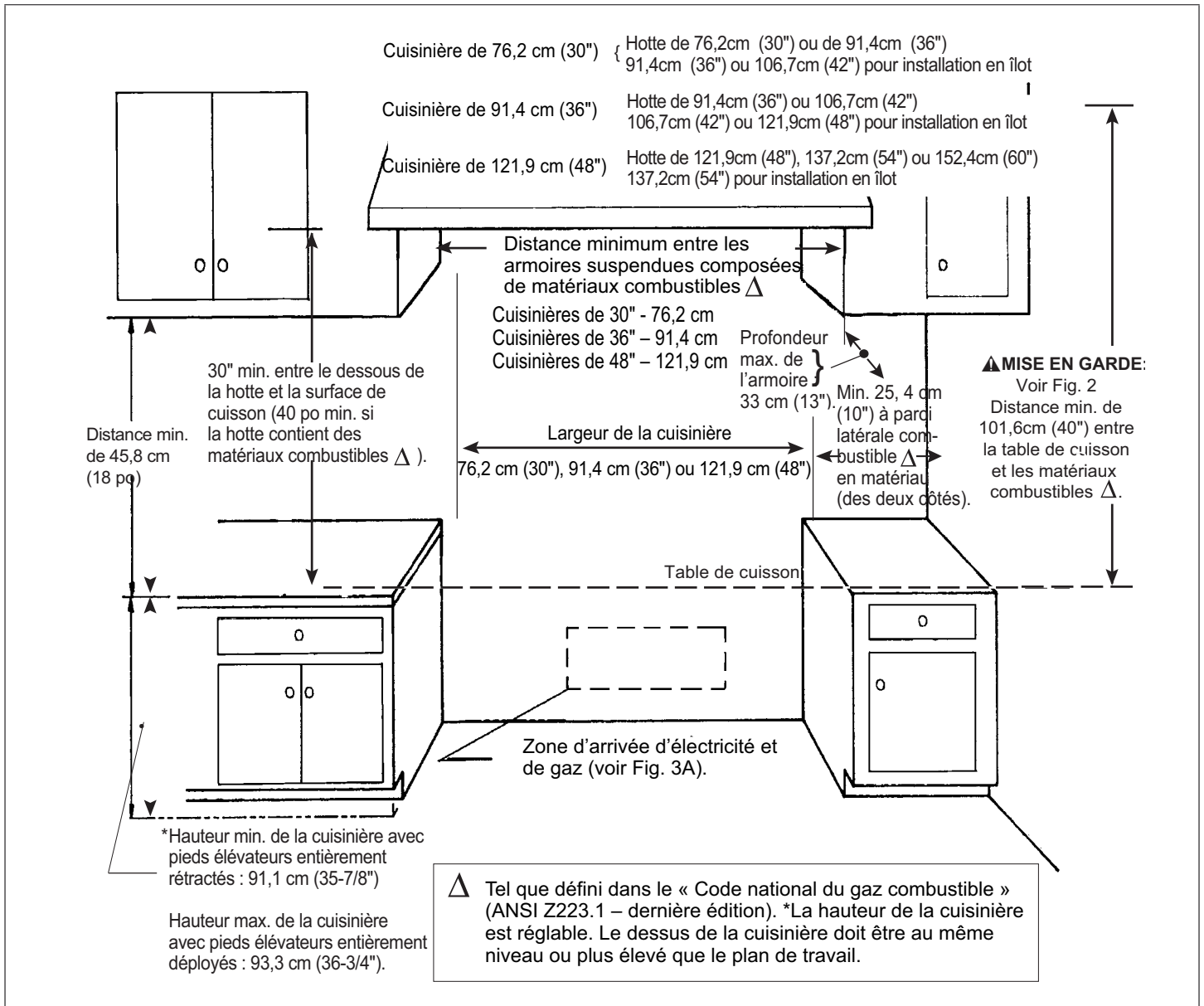


Figure 1 : Espace libre des armoires

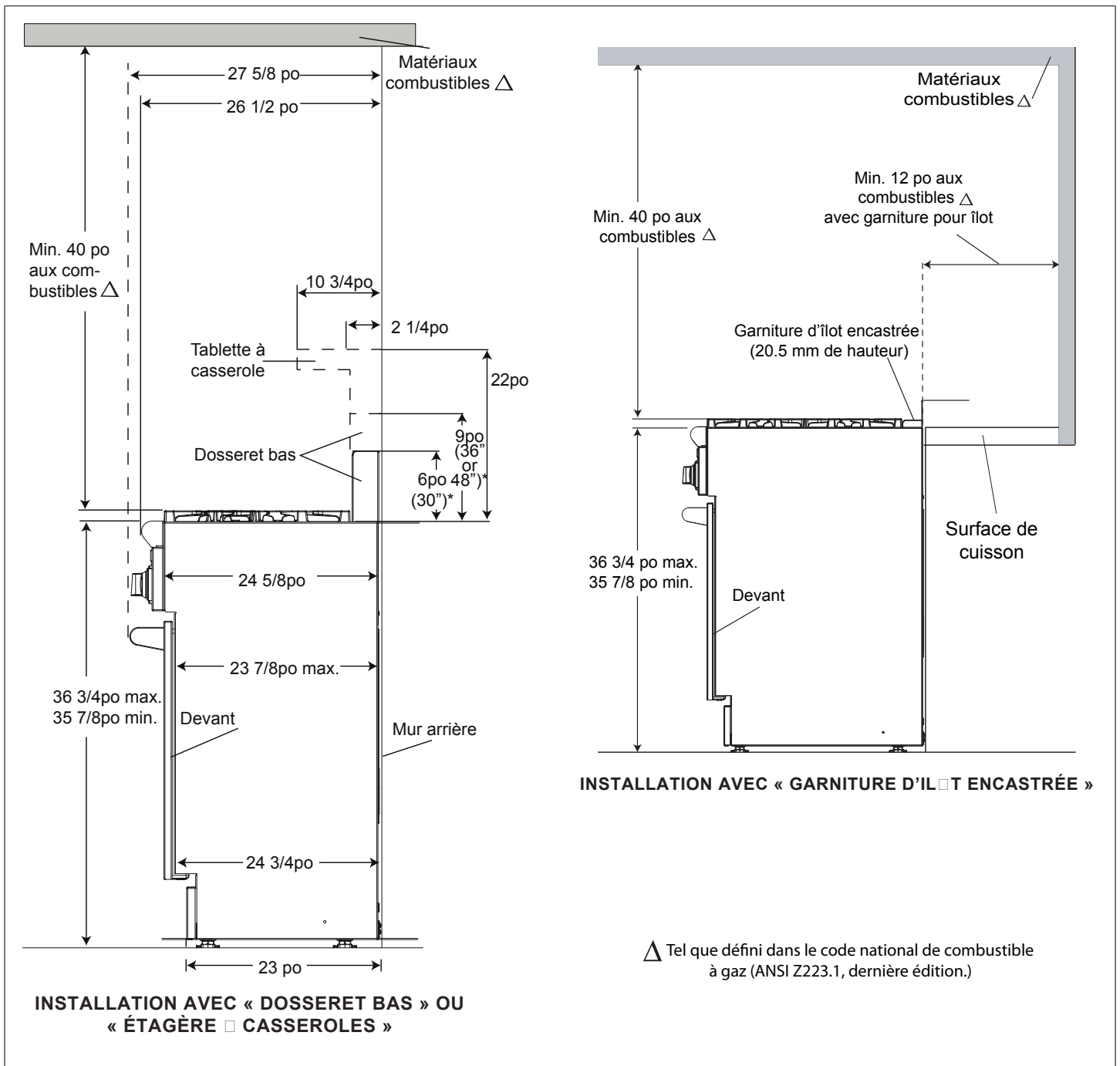


Figure 2 : Vue latérale

\* Réfère aux modèles de cuisinière de 30, 36 et 48 po.

**Remarque :**

Porte du four ouverte, haut de la porte à 44-7/8 po depuis la paroi arrière, derrière la cuisinière installée. Un espace libre suffisant doit être laissé pour permettre une circulation facile lorsque la porte est ouverte.

# ALIMENTATION DE GAZ ET ÉLECTRIQUE

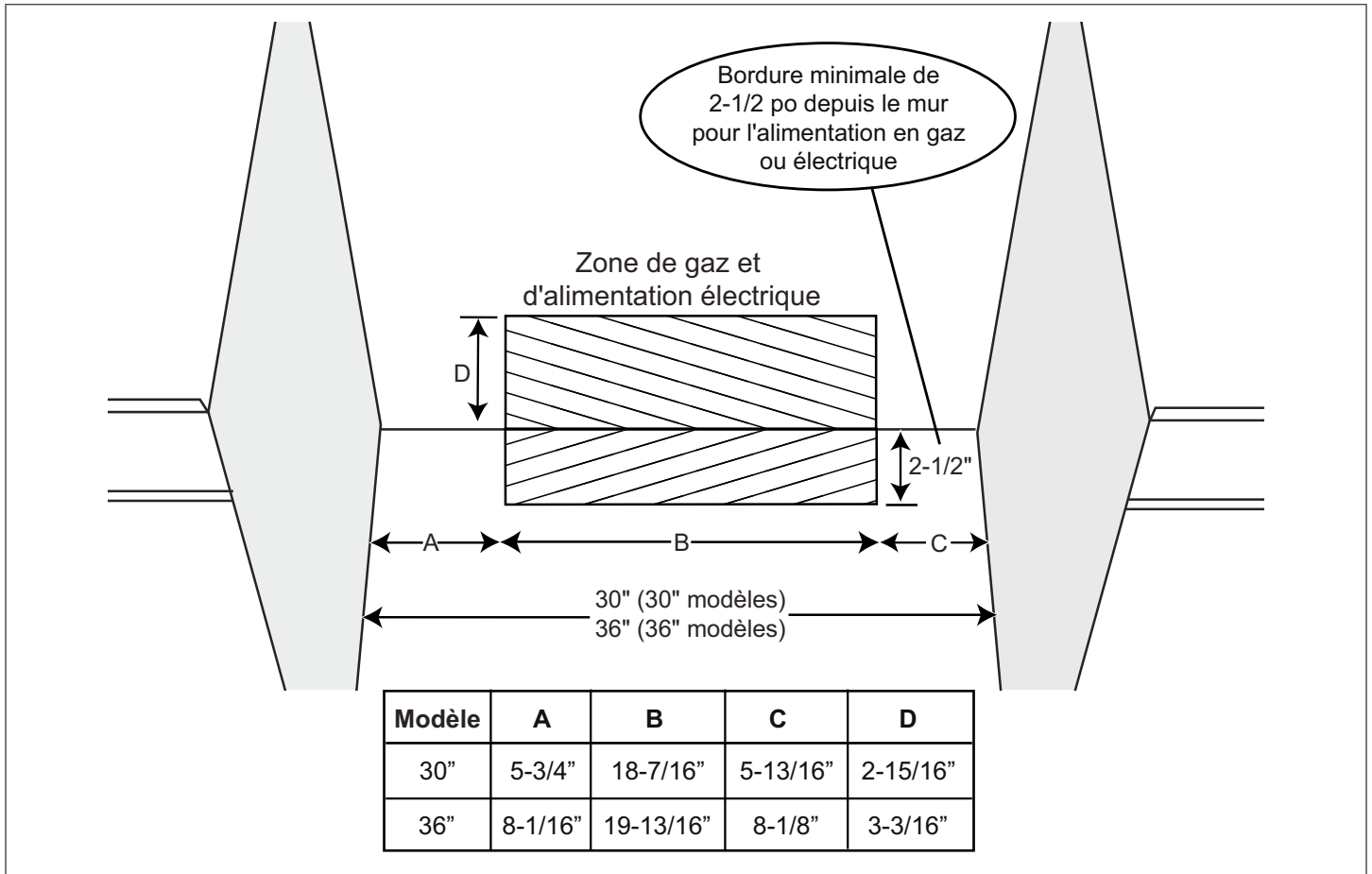


Figure 3a : Emplacement de l'alimentation électrique et en gaz pour les cuisinières à gaz de 30 et 36 po

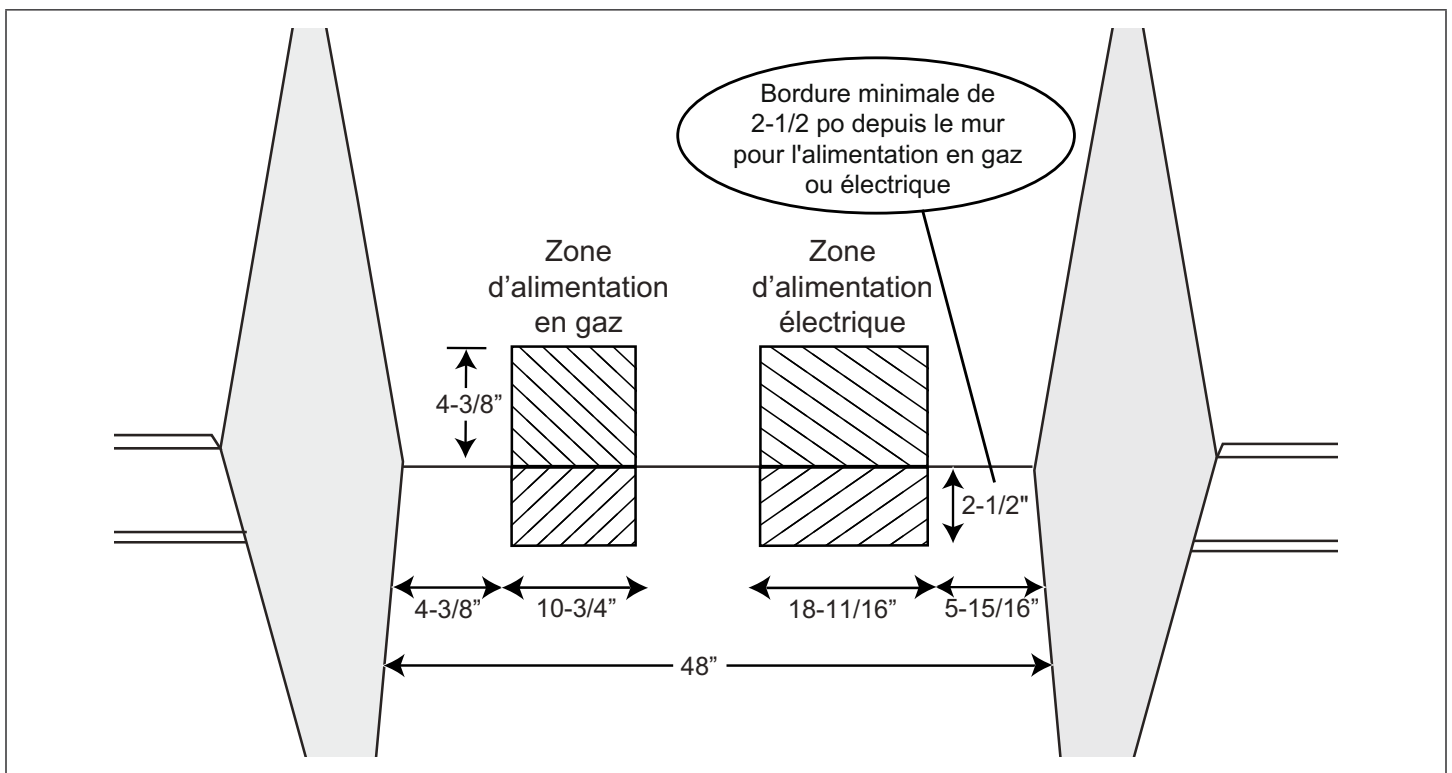


Figure 3b : Emplacement de l'alimentation électrique et en gaz pour les cuisinières à gaz de 48 po

**Remarque :**

Une soupape manuelle d'arrêt de gaz (si elle n'est pas déjà en place) doit être facilement accessible. Assurez-vous d'indiquer où et comment fermer l'alimentation en gaz à la cuisinière.

**Remarque :**

L'installateur doit indiquer au client l'emplacement de la soupape d'arrêt de gaz.

**Remarque :**

Toute ouverture dans le mur derrière l'appareil et/ou dans le plancher doit être scellée.

La cuisinière à combustion jumelée peut être branchée à l'alimentation électrique avec un nécessaire de cordon d'alimentation de cuisinière (fourni avec l'appareil) ou par un câblage fixe à l'alimentation. Il incombe à l'installateur de fournir les éléments appropriés pour le câblage (cordon ou conduit et fils) et de compléter la connexion électrique selon les règlements et codes locaux et/ou le Code national d'électricité. L'appareil doit être mis à la terre adéquatement. Voir pour plus de détails.

**La cuisinière doit être branchée seulement au type de gaz pour lequel elle est certifiée.** Si la cuisinière doit être branchée au gaz propane, assurez-vous que le réservoir de gaz propane est doté d'un régulateur de haute pression en plus du régulateur fournie avec la cuisinière (voir pas 5).

**Remarque :**

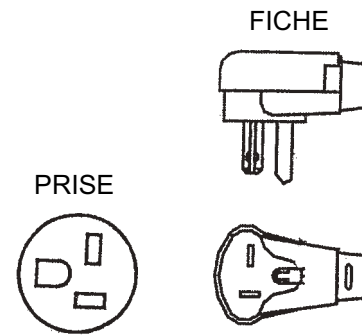
La cuisinière est conçue pour être de niveau avec le mur arrière. Pour une installation adéquate, il peut être nécessaire de repositionner la canalisation d'alimentation en gaz et le cordon électrique lorsque la cuisinière est poussée en position d'installation finale.

**SUGGESTION : Vous pouvez accomplir cette opération en passant une corde ou une ficelle autour de la canalisation ou du cordon électrique au moment de pousser la cuisinière dans sa position d'installation finale.**

**Important :**

Le cordon fourni avec la cuisinière à gaz, dotée d'un gril électrique requiert une prise NEMA 5-20, comme indiqué

ci-dessus. Il est possible que le code de construction local exige une méthode de câblage différente.



## Alimentation électrique

L'installation des cuisinières à gaz doit être planifiée de sorte que la boîte de dérivation de la prise laisse le maximum d'espace à l'arrière de l'appareil. Afin de minimiser les torsions lors du branchement de l'appareil à la prise ou à la boîte, orientez d'abord la prise et faites glisser l'appareil en place.

Lorsque le cordon d'alimentation (non fourni) ou le conduit est branché à sa prise correspondante ou au couvercle de boîte de jonction, la prise/fiche combinée ou la boîte de jonction/connecteur de conduit ne doivent pas dépasser de plus de 2,5 po du mur arrière. Voir Figure 43b.

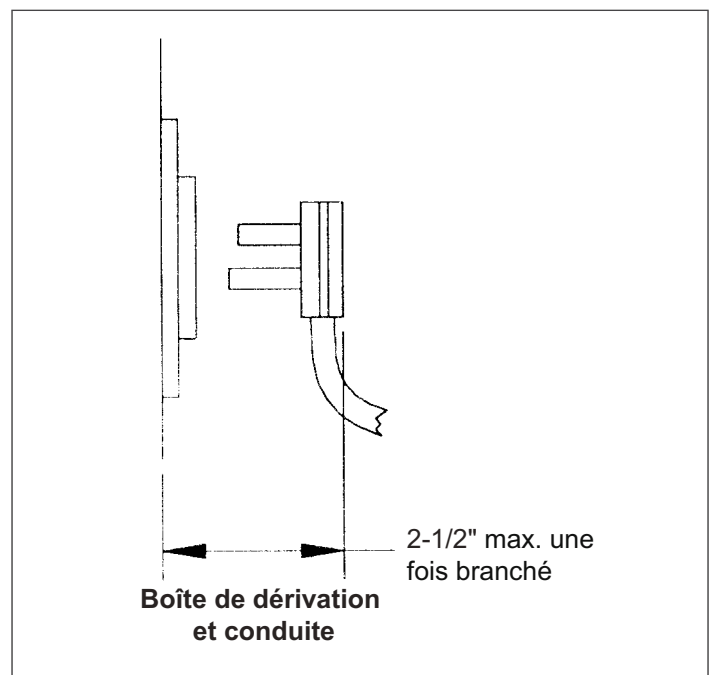


Figure 4 : Raccordement au mur

# Chapitre 3 : Déballage, manutention et mise en place de la cuisinière



## MISE EN GARDE

Un équipement adapté manipulé par du personnel expérimenté doit être utilisé pour déplacer la cuisinière afin de ne pas endommager l'appareil ou le plancher. La cuisinière est lourde et repose sur des pieds réglables en acier.

- Le poids d'expédition approximatif de la cuisinière est indiqué au tableau A. La trousse de documentation contenant les manuels, les grilles de cuisson, la plaque de cuisson, les chapeaux des brûleurs, la plaque d'habillage et les grilles du four doivent être retirés pour faciliter la manutention. Il est aussi recommandé de retirer la (les) porte(s) (Voir « Chapitre 8 : Retrait et installation de la porte » à la page 16.). Le poids de l'appareil s'en trouvera diminué, comme indiqué au Tableau A . Voir Figure 2 à la page 6. **N'ôtez pas la plaque de cuisson et le plateau.**
- Retirez l'emballage externe et les matériaux d'emballage de la palette d'expédition. Toutes les cuisinières à gaz sont fixées sur une palette à l'aide de quatre (4) boulons (Voir Figure 5). Les boulons avant de la palette ne sont accessibles qu'une fois la base enlevée. Retirez les deux vis sous les coins inférieurs de la cavité du four et soulevez la base en l'éloignant des deux saillies du socle moulé de la cuisinière qui reçoit le rebord inférieur de la base. Après avoir enlevé les boulons, soulevez la cuisinière et enlevez-la de la palette.



## MISE EN GARDE

NE soulevez PAS la cuisinière par la poignée de porte. Cela peut endommager les charnières et ainsi la porte s'ajustera mal dans l'ouverture.

Tableau A	Cuisinière de 76,2 cm (30 po)	Cuisinière de 91,4 cm (36 po)	Cuisinière de 121,92 cm (48 po)
Poids à l'expédition	300 lb	335 lb	534 lb
Poids sans matériaux d'emballage	265 lb	300 lb	469 lb
Poids sans porte(s), chapeaux de brûleurs, plaque d'habillage et grilles de four	142 lb	207 lb	322 lb

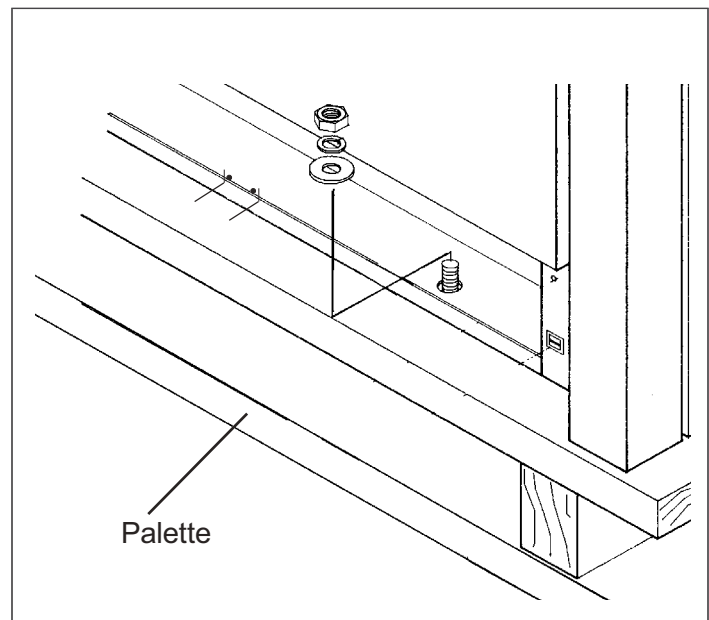


Figure 5 : Retrait des quatre boulons installés pour l'expédition

## Remarque :

Laissez la mousse avec adhésif sur les surfaces en métal broissé pour protéger le fini contre les égratignures jusqu'à ce que l'appareil soit installé à sa position finale.

- En raison du poids de la cuisinière, il convient d'utiliser une plate-forme à roulettes souples pour la déplacer. Le poids doit être uniformément réparti sur la plate-forme (voir Figure 6).
- Transportez la cuisinière sur la plate-forme près de son emplacement définitif, faites-la basculer pour qu'elle repose sur les pieds arrière puis retirez la plate-forme. **PROTÉGEZ LE SOL SE TROUVANT SOUS LES PIEDS AVANT DE METTRE LA CUISINIÈRE EN PLACE.** Installez le dispositif antibascule (chapitre 4), raccordez le gaz et l'électricité (chapitres 5 et 6) puis installez la plaque de protection (chapitre 7) avant de placer définitivement la cuisinière.

- N'installez pas la (les) porte(s) du four tant que la cuisinière n'est pas placée définitivement.

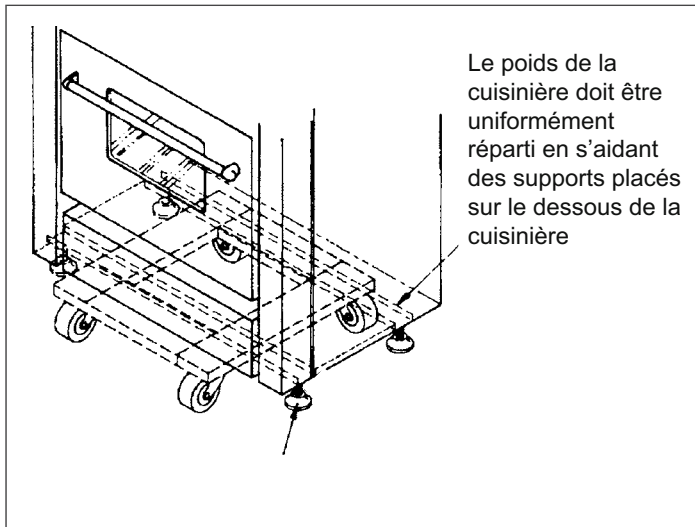


Figure 6 : Mise en place sur la plate-forme à roulettes

Enlevez tout le matériel d'emballage et le ruban adhésif avant d'utiliser l'appareil. Débarrassez-vous du matériel d'emballage une fois l'appareil déballé. Ne laissez jamais des enfants jouer avec ce matériel d'emballage.

## Chapitre 4 : Installation du dispositif antibascule

Pour toutes les cuisinières de 76,2 cm (30") et de 91,4 cm (36"), un dispositif antibascule doit être installé conformément aux instructions suivantes.



### AVERTISSEMENT — DANGER DE BASCULEMENT


- Toutes les cuisinières peuvent basculer et blesser quelqu'un. Pour éviter un basculement accidentel, elles doivent être fixées au sol, au mur ou à une armoire à l'aide du dispositif antibascule qui vous est fourni.
- L'appareil risque de basculer s'il n'est pas installé conformément à ces instructions.
- En déplaçant la cuisinière pour nettoyage, réparation ou autre raison, assurez-vous que le dispositif antibascule est bien enclenché lorsque vous repoussez la cuisinière contre le mur. Sinon, dans le cas d'une utilisation anormale (personne montant, s'asseyant ou s'appuyant sur une porte ouverte), la cuisinière risque de basculer. Cela peut entraîner des blessures corporelles dues aux liquides chauds renversés ou au poids de la cuisinière.





### AVERTISSEMENT — RISQUE D'ÉLECTROCUTION

- Soyez très prudent lorsque vous percez des trous dans le mur ou le plancher. Des fils électriques peuvent être dissimulés dans les murs ou dans le plancher.
- Identifiez les circuits électriques pouvant se trouver à l'endroit où le dispositif antibascule est installé puis débranchez-les.
- Le non-respect de ces instructions risque d'entraîner une électrocution ou des blessures.

**AVERTISSEMENT**



- Toutes les cuisinières peuvent basculer.
- Des personnes peuvent être blessées.
- Installez les dispositifs antibascule fournis avec la cuisinière.
- Assurez-vous que le dispositif antibascule est bien en place.

### ATTENTION — Dommages causés à l'équipement

- Contactez un installateur ou un entrepreneur qualifié pour déterminer la bonne méthode de perçage des murs ou du plancher (carrelage, bois franc, etc.).
- Ne faites pas glisser la cuisinière sur un plancher non protégé.
- Le non-respect de ces instructions comporte des risques de dommages des revêtements muraux ou du plancher.

### Outils nécessaires pour l'installation du dispositif antibascule :

- Tournevis Phillips
- Perceuse électrique ou manuelle
- Ruban à mesurer ou règle
- Foret de 3,2 mm (1/8") (mur ou sol en bois ou métal)
- Foret à béton pointe carbure de 4,8 mm (3/16") (mur ou sol en béton ou blocs de béton)
- Ancrages de 4,8 mm (3/16"), cloison en préfabriqué ou béton, 4 (inutile si le support de montage est fixé sur du bois dur ou du métal)
- Marteau
- Crayon ou autre marqueur



## Cuisinières à gaz de 30 po et 36 po

Figure 7 et Figure 8.

Référence pièce détachée Thermador	Quantité	Description
415078	4	Vis Phillips no 10 3,81 cm (1-1/2 po)
647936	1	Patte antibascule, montage au sol

### Informations importantes concernant l'installation :

- La patte antibascule peut être fixée à une armoire en bois massif ayant une paroi d'une épaisseur minimum de 19 mm (3/4").
- Selon l'épaisseur du mur ou du plancher, il peut être nécessaire d'utiliser des vis plus longues, disponibles chez votre quincaillier.
- Au moins deux (2) vis de montage de la patte doivent être fixées sur le bois massif ou le métal.

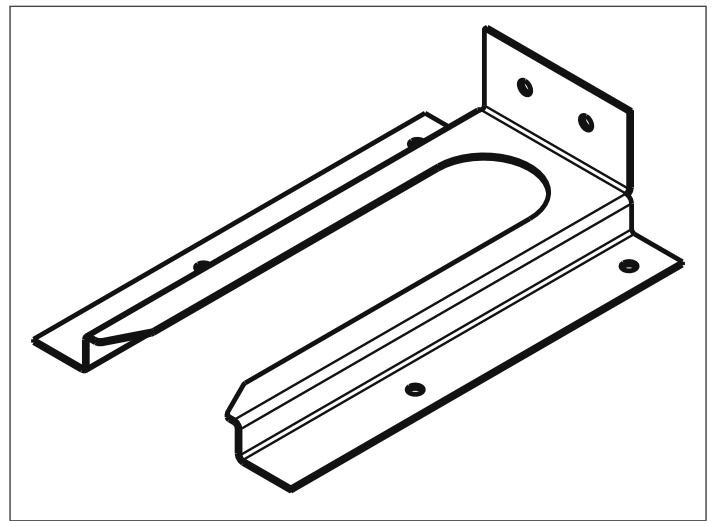


Figure 7 : Montage de la patte antibascule

### Remarque :

Le dispositif antibascule n'est pas nécessaire avec les cuisinières de 48 po, en raison des dimensions et de la répartition du poids de ces modèles.

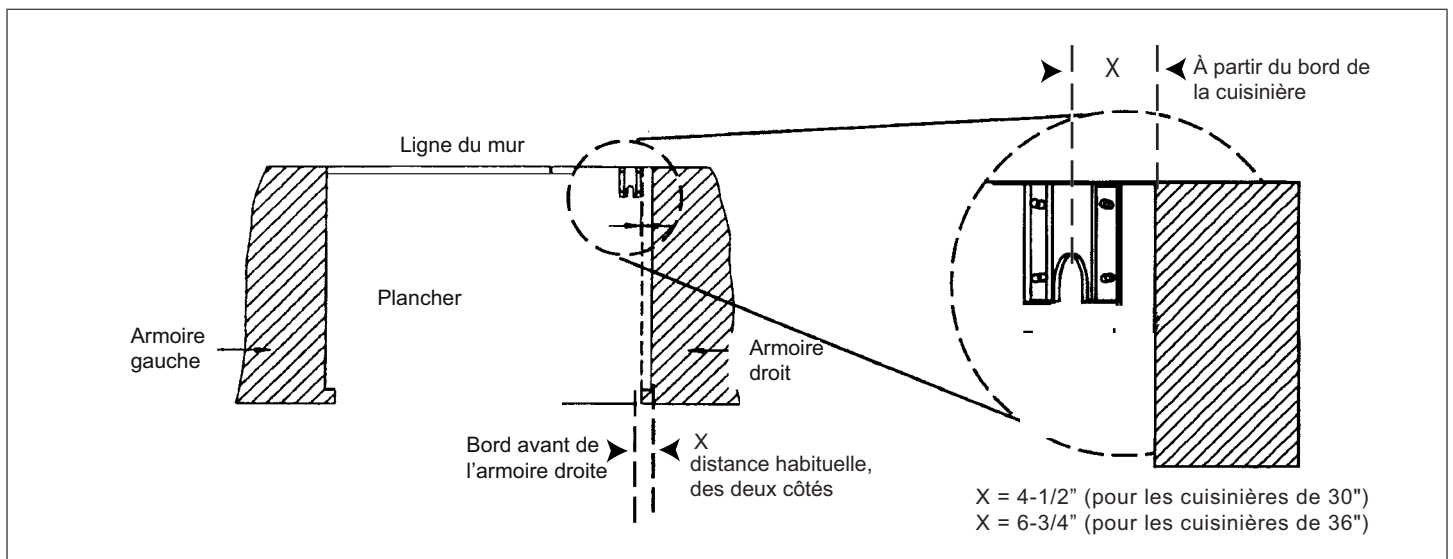


Figure 8 : Mise en place de la patte antibascule (vue du haut)

- Préparez les trous des emplacements de fixation tel qu'indiqué ci-dessous :
  - Pour les murs, montants de mur ou planchers en bois massif ou en métal, percez des trous de guidage de 3,2 mm (1/8").
  - Pour les murs ou les sols de type préfabriqué, carton-plâtre ou autres matériaux mous, percez des trous de 4,8 mm (3/16") à une profondeur minimum de 4,45 cm (1-3/4") puis enfoncez les ancrages en plastique dans tous les trous à l'aide d'un marteau.
- Pour les murs ou les sols en béton ou en blocs en béton, percez des trous de 4,8 mm (3/16") à une profondeur minimum de 4,45 cm (1-3/4"), puis enfoncez les ancrages à béton dans les trous à l'aide d'un marteau.
- Pour les murs ou les sols revêtus de carrelage, percez des trous de 4,8 mm (3/16") de la profondeur du carrelage puis percez derrière le carrelage comme indiqué ci-dessus.

- Si la cuisinière doit être ultérieurement placée à un nouvel endroit, le dispositif antibasculé sera enlevé et réinstallé.

## Montage de la patte antibasculé

L'option patte montée au sol doit être installée comme suit :

1. Placez la patte sur l'emplacement comme indiqué à la Figure 8 (la patte peut être utilisée dans un des coins de l'installation).
2. Fixez-la au plancher ou au montant de mur.
3. Lorsque la cuisinière est installée, le pied réglable se glissera sous la patte.

## Chapitre 5 : Exigences de l'alimentation en gaz et raccordement

Vérifiez le type de gaz utilisé à l'endroit où la cuisinière est installée. **Celle-ci est préparée à l'usine avant expédition pour être alimentée seulement par du gaz naturel ou du gaz propane. La cuisinière doit correspondre au type de gaz utilisé sur le site. La cuisinière N'EST PAS convertible entre les différents types de gaz.**

En cas d'installation de l'appareil à haute altitude, veuillez consulter la compagnie locale de gaz pour connaître les dimensions correctes des orifices et autres réglages nécessaires permettant une bonne combustion du gaz à l'altitude indiquée.



### MISE EN GARDE

Si l'appareil est alimenté par du gaz propane, le réservoir de gaz propane doit être équipé de son propre détendeur en sus du détendeur fourni avec la cuisinière. La pression du gaz à l'entrée du détendeur de la cuisinière ne doit pas dépasser 34,9 mb (14 po, C.E.).

### Exigences pour le gaz naturel :

Raccord d'entrée :	1/2" NPT interne (tuyau flexible 19,1mm (3/4") diamètre min.)
Pression d'alimentation :	6 à 14 po de colonne d'eau (14.9 à 34.9 mb)
Pression du collecteur :	12,5 mb (5") C.E.

### Exigences pour le gaz propane :

Raccord d'entrée :	1/2" NPT interne (tuyau flexible 19,1mm (3/4") diamètre min.)
Pression d'alimentation :	11 à 14 po de colonne d'eau. (27,4 à 34,9 mb)
Pression du collecteur :	10" po de colonne d'eau (24.9 mb)



### AVERTISSEMENT

Le tuyau de gaz ne doit pas entrer en contact avec des composantes situées à l'intérieur du couvercle arrière de la cuisinière.

## Raccordement

- **Un robinet manuel d'arrêt de gaz doit être installé à l'extérieur de l'appareil, à un endroit accessible par le devant, pour pouvoir couper l'alimentation en gaz.** Le tuyau d'arrivée de gaz ne doit pas dépasser à l'arrière de l'appareil. Assurez-vous que le robinet d'arrêt est fermé avant de raccorder l'appareil.
- La cuisinière est fournie avec un régulateur de pression non amovible, qui a été monté à l'intérieur de manière permanente.
- Utilisez un raccord à gaz souple de 3/4" entre l'alimentation en gaz et le tuyau d'arrivée de gaz de l'appareil. Le tuyau d'arrivée de gaz de toutes les cuisinières est situé en bas à droite. (Voir figure 8 et figure 9). Le tuyau d'arrivée de gaz de l'appareil est de type NPT 1/2". Prenez garde au tuyau flexible de 19,1 mm (3/4 po) dans les coudes, vous pourriez vous pincer. La longueur suggérée est de 48 po. Vérifiez les codes locaux concernant les exigences. Figure 9
- Le branchement à l'arrivée de gaz doit être effectué par un technicien compétent, conformément à la réglementation locale. S'il n'y a pas de codes locaux, l'installation doit être conforme à la norme américaine en vigueur sur les gaz combustibles ANSI Z223.1/ NFPA54 dernière édition, ou à la norme canadienne.
- Utilisez toujours un scellant à tuyau ou du ruban Teflon® sur les filets de tuyaux et prenez garde de ne pas serrer excessivement les raccords en y appliquant une force excessive.
- Les tests de fuite de l'appareil seront toujours réalisés conformément aux instructions du fabricant.
  - Ouvrez le gaz et assurez-vous qu'il n'y a pas de fuites à l'aide d'une solution savonneuse. N'utilisez pas de flamme pour faire cette vérification.
  - Des bulles indiquent la présence d'une fuite. Réparé toute fuite immédiatement après les avoir repérées.



## AVERTISSEMENT

N'utilisez pas de flamme pour vérifier les fuites de gaz.



## ATTENTION

L'appareil doit être isolé du système d'arrivée de gaz en fermant le robinet manuel d'arrêt pendant tous les tests de pression d'alimentation en gaz lorsque ces pressions sont égales ou inférieures à 3,5 kPa (1/2 psig).

L'appareil et son robinet individuel d'arrêt doivent être débranchés du système d'arrivée de gaz pendant tous les tests de pression du système si ces pressions dépassent 3,5 kPa (1/2 psig).

Pour la vérification de la pression de gaz du collecteur, la pression d'entrée du détendeur doit être de 14,9 mb (6") au minimum pour le gaz naturel et de 7,4 mb (11") pour le propane.

Ne tentez pas de régler le régulateur de pression.

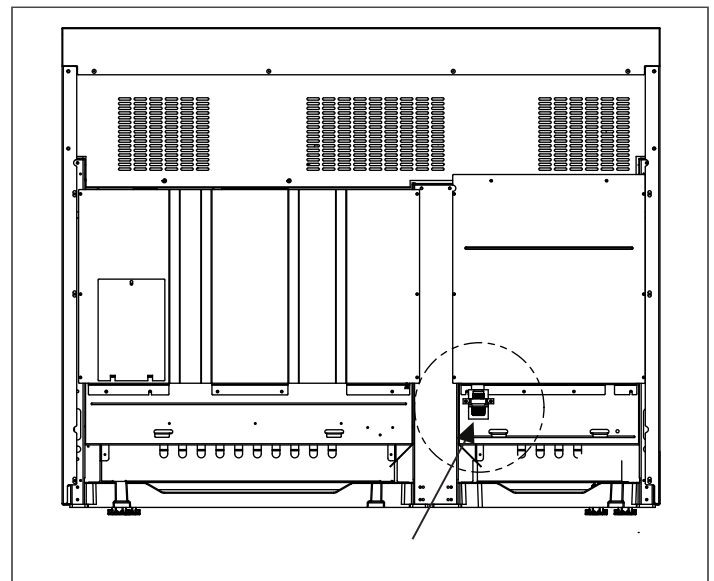


Figure 10 : Emplacement du tuyau d'arrivée de gaz des cuisinières de 48 po

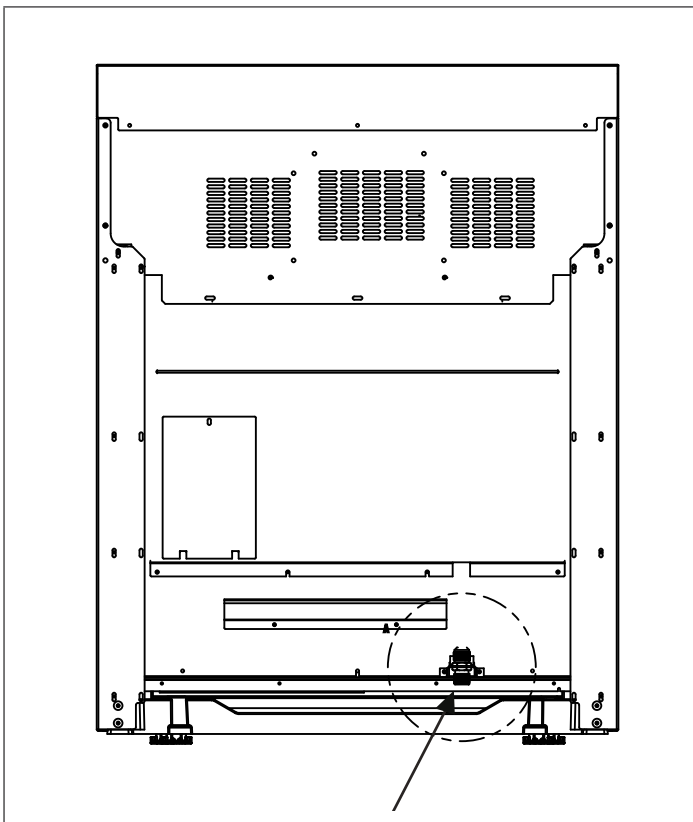


Figure 9 : Emplacement du tuyau d'arrivée de gaz

# Chapitre 6 : Exigences pour l'alimentation électrique, le branchement et la mise à la terre

Avant d'effectuer l'entretien de l'appareil, débranchez toujours le cordon d'alimentation électrique de la prise

murale. Verrouillez le panneau de service pour empêcher la mise en circuit accidentelle.

**Tableau B : Exigences pour les circuits d'alimentation électrique**

MODÈLE	TENSION	INTENSITÉ DU CIRCUIT	FRÉQUENCE	PHASE
30"	120 VCA	10 A	60 Hz.	Monophasé
36"	120 VCA	10 A	60 Hz.	Monophasé
36 po avec grille	120 VCA	20 A	60 Hz.	Monophasé
48 po avec grille	120 VCA	20 A	60 Hz.	Monophasé

- Pour ces modèles de cuisinières à gaz, un fil d'alimentation neutre doit être installé à partir de la source d'électricité (disjoncteur/panneau de fusibles), car certains éléments de la cuisinière, dont le module de production d'étincelle pour les brûleurs de la table de cuisson, fonctionnent de manière sûre et adéquate sur du 120 VCA.

- Installateur : Indiquer au propriétaire l'emplacement du coupe-circuit ou du fusible. Notez l'emplacement à des fins de référence.

## Important :

Un port d'entrée électrique de 20 A est requis pour le cuisinière avec grille électrique.



## AVERTISSEMENT

Une mauvaise alimentation électrique entraînera des dysfonctionnements, endommagera la cuisinière et pourrait présenter des risques d'électrocution.

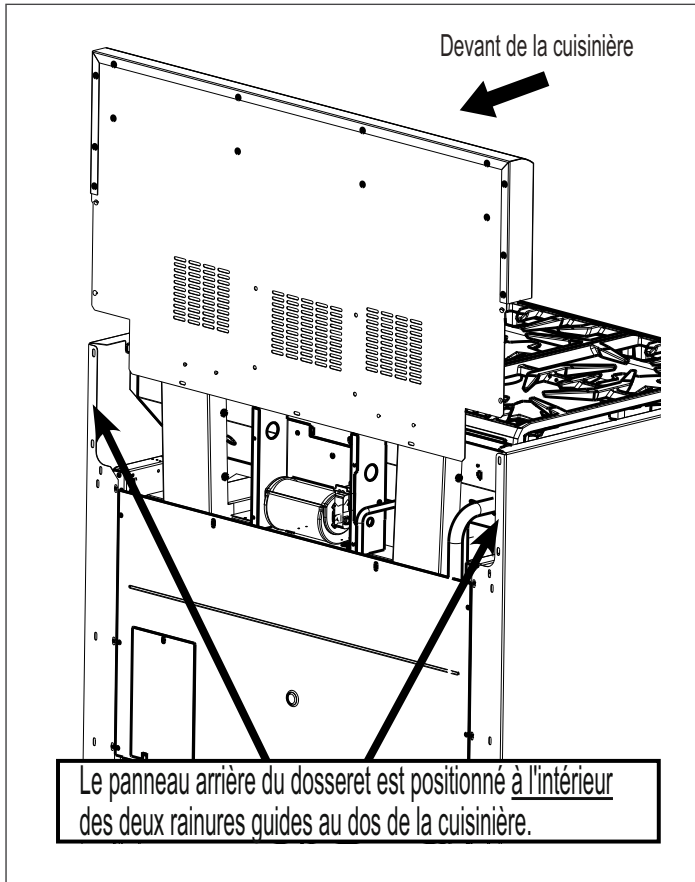
- Si le circuit électrique ne respecte pas les conditions nécessaires l'installateur ou l'utilisateur est responsable et tenu de faire faire une installation correcte et conforme à la réglementation locale en vigueur par un électricien qualifié. S'il n'y a pas de réglementation locale, le branchement électrique sera conforme au Code national de l'électricité.
- La mise à la terre doit être conforme à l'ensemble de la réglementation applicable. Sinon, la norme américaine d'électricité ANSI/NFPA N° 70 en vigueur ou la norme canadienne sera appliquée.
- Les schémas de câblage électrique à l'intention du technicien qualifié se trouvent dans la plaque d'habillage de l'appareil.
- Avant de brancher un cordon électrique, assurez-vous que toutes les commandes sont en position arrêt.
- Pour les appareils dotés d'un cordon et d'une fiche, ne coupez pas ou n'enlevez pas la broche de mise à la terre. Branchez sur une prise mise à la terre correspondante pour éviter toute décharge électrique. En cas de doute concernant la mise à la terre adéquate de la prise, le consommateur doit se renseigner auprès d'un électricien qualifié.

# Chapitre 7 : Installation du dossier

- Le dossier doit être fixé avant d'insérer la cuisinière en place. Un modèle bas ou à tablette haute pour casseroles doit être installé s'il y a un espace libre inférieur à 12 po (30,5cm) entre la paroi murale combustible et le dos de la cuisinière, au-dessus de la surface de cuisson.
- Une garniture d'îlot encastrée est disponible pour couvrir la zone du dossier pour les installations îlots. Toutefois, la garniture d'îlot encastrée peut être utilisée seulement s'il y a un espace libre horizontal minimum de 12 po (30,5cm) entre la paroi arrière combustible et le dos de la cuisinière.
- Le dossier est inséré à l'intérieur des rainures guides au dos de la cuisinière, comme illustré. (Retirez la grille pour un espace libre suffisant pour l'installation sur les modèles avec gril. Utilisez un tourne-écrou T-20, fixez le dossier avec quatre (4) vis à tête Torx sur les panneaux latéraux de la cuisinière et deux (2) vis au dos de la cuisinière et quatre (4) vis à la zone autour du ventilateur de refroidissement..
- Pour fixer le devant du dossier, fixez trois (3) vis à tête Torx dans le panneau avant inférieur du dossier, sur le rebord au dos de la surface de cuisson de la cuisinière.
- Les modèles avec tablette pour casseroles requièrent un assemblage du panneau supérieur sur le boîtier à

l'aide de neuf (9) des vis à tête Torx fournies. Pour une robustesse adéquate, IL FAUT installer les deux (2) vis à tête Torx dans les coins arrière, sur le côté supérieur dans le boîtier.

- Les modèles de tablette pour casseroles comprennent une tablette au-dessus de la surface de cuisson pour le rangement de casseroles. **OBSERVEZ LES CONSIGNES.**



### AVERTISSEMENT

Les doigts ou la main pourraient être pincés lors de l'installation du dossier. Des blessures graves pourraient se produire. Soyez très prudent et portez d'épais gants de protection pour éviter les coupures et lacérations potentielles aux doigts ou aux mains lorsque vous glissez le dossier sur la cuisinière.



### AVERTISSEMENT

Pour éviter les risques de brûlures ou d'incendie, un dossier conçu spécifiquement pour la cuisinière doit être installé chaque fois que la cuisinière est utilisée.



### MISE EN GARDE

La tablette à casseroles peut devenir très chaude! NE placez PAS les articles :

- Plastique ou contenant pouvant fondre
- Articles inflammables
- Une charge supérieure à 30 lb (13,6 kg)

Tableau C : Numéro de modèle de dossier

Largeur de cuisinière	Dossier standard 6 po	Dossier bas 9 po	Tablette pour casseroles 22 po	Garniture d'îlot encastrée
30"	Inclus avec la cuisinière	N/D	PA30GSH	PA30GITH
36"	N/D	PA36GLBH	PA36GSH	Inclus avec la cuisinière
48"	N/D	PA48GLBH	PA48GSH	Inclus avec la cuisinière

# Chapitre 8 : Retrait et installation de la porte



## MISE EN GARDE

FAITES ATTENTION LORSQUE VOUS ENLEVEZ LA PORTE, ELLE EST LOURDE.

- Assurez-vous que le four est froid et que l'alimentation est hors circuit avant de retirer la porte. Sinon, il pourrait en résulter une décharge électrique ou une brûlure.
- La porte est lourde et fragile. Utilisez vos deux mains pour enlever ou installer la porte.
- Prenez la porte par les côtés pour l'enlever ou l'installer.
- Si la porte n'est pas saisie fermement et adéquatement, cela peut causer des dommages au produit ou des blessures.
- Une fois la porte enlevée, ne dégagez pas les leviers et ne fermez pas les charnières. Sans le poids de la porte, les ressorts fermeront les charnières avec beaucoup de force.

## Retrait de la porte :

1. Ouvrez complètement la porte.
2. Tirez la pince vers vous (voir Photo B).
3. Fermez la porte jusqu'à ce qu'elle arrête; la pince maintient la porte entrouverte.
4. Prenez la porte par les côtés. Elle est lourde et fragile; utilisez vos 2 mains. Soulevez la porte et sortez-la (les ressorts offriront une certaine résistance.) Lorsque le devant de la porte est suffisamment haut, il sera possible de la sortir droite.
5. Placez la porte dans un endroit sûr.

## Installation de la porte :

1. Tenez la porte par les côtés. Insérez les charnières dans les fentes. La porte sera entrouverte. Il peut être nécessaire de peser fermement vers l'intérieur sur la portion inférieure de la porte avec un mouvement de bascule pour que la porte repose complètement sur les charnières.
2. Ouvrez la porte complètement pour exposer les pinces, pousser-les loin de vous (vers le four) jusqu'à ce qu'elles rencontrent la charnière.
3. Fermez et ouvrez la porte lentement pour vérifier l'installation; elle doit être droite et non de travers.

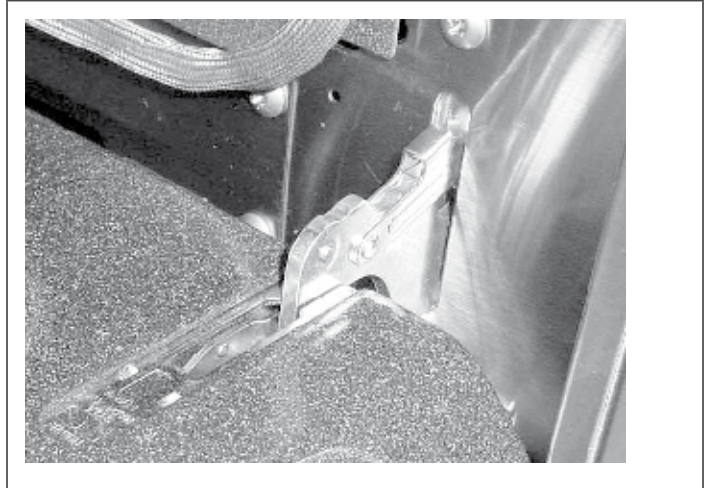


Photo A : Charnière en position fermée

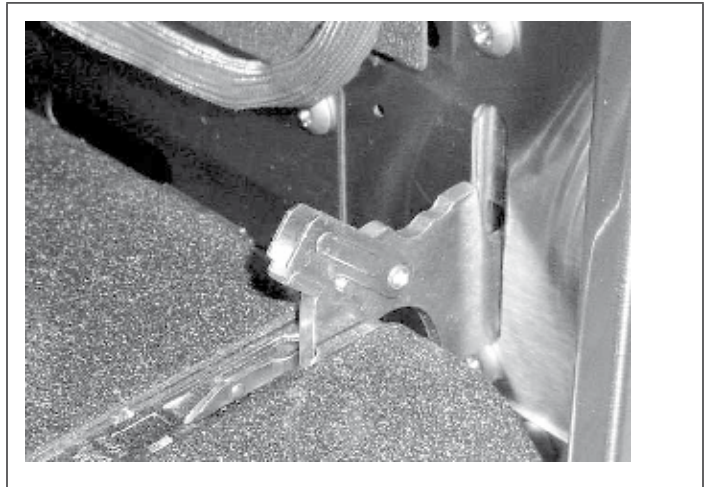


Photo B : Pousser la pince vers soi

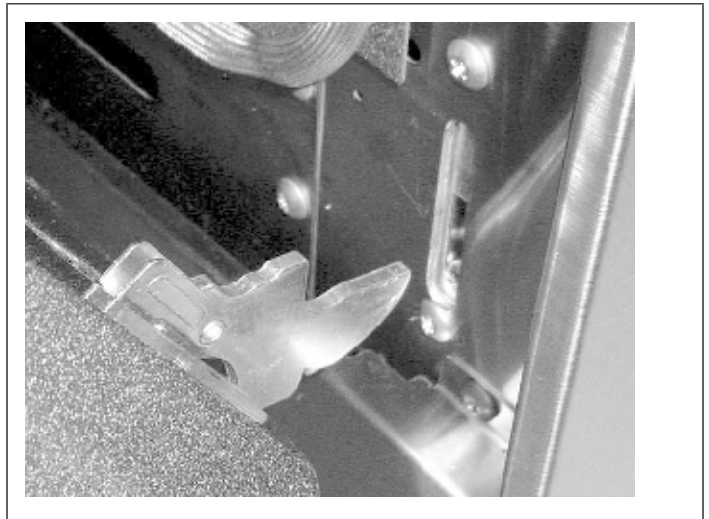


Photo C : Charnière retirée du four

## Chapitre 9: Mise en place et au niveau de la cuisinière

- Pour garantir son bon fonctionnement, la **cuisinière doit être nivelée**. (Ce point est important pour tous les produits équipés d'une plaque chauffante.)
- La cuisinière est équipée de quatre pieds pour la mise à niveau. Ceux-ci sont faits de fonte d'aluminium. La cuisinière est mise au niveau en faisant tourner les pieds à l'aide d'une douille ou d'une clé de 3/8 po insérée sur les côtés plats de la tête hexagonale ou à l'aide d'une clé réglable sur les côtés plats du pied (Voir Figure 12).
- La progression des réglages de hauteur doit être alternée proportionnellement entre les quatre pieds, jusqu'à ce que les rebords supérieurs des panneaux latéraux de la cuisinière arrivent à la hauteur de la surface du comptoir.



### MISE EN GARDE

Les rebords supérieurs des panneaux latéraux doivent être au même niveau ou à un niveau supérieur à celui de la surface de comptoir adjacente. Si la cuisinière est utilisée alors qu'elle est réglée à une hauteur inférieure par rapport à l'armoire adjacente, l'armoire pourrait être exposée à des températures excessives, entraînant des dommages aux armoires et au comptoir (Voir Figure 12)

- Le réglage final de hauteur des deux pieds arrière se fait avant de déplacer la cuisinière dans l'armoire, en position installée.
- Lorsque la cuisinière est déplacée en position installée finale, assurez-vous qu'un des pieds arrière s'est correctement engagé dans la patte antibascule (voir Étape 4). Il est possible d'effectuer cette vérification en regardant par l'ouverture près du plancher, lorsque la plaque d'habillage est retirée.

### AVIS :

En raison de leurs dimensions et de la répartition du poids, les cuisinières de 48 po n'exigent pas l'utilisation de pattes antibascule.

- Alors que la cuisinière est en position installée, les réglages finaux de hauteur sont effectués sur les deux pieds avant pour garantir un bon alignement avec la surface du comptoir.

### Remarque :

On présume dans ce cas que la surface de comptoir adjacente a été correctement mise au niveau.

- Une fois la cuisinière correctement mise au niveau, le panneau d'habillage est replacé et la porte du four

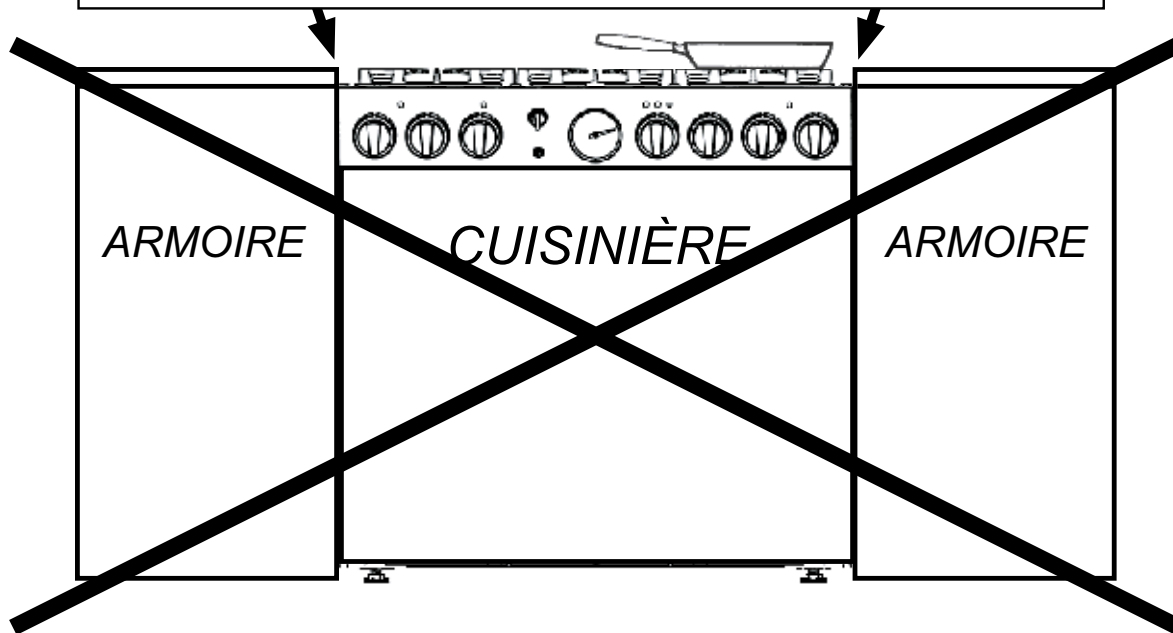
réinstallée (Voir « Chapitre 8 : Retrait et installation de la porte » à la page 16.). **Il est important que les deux (2) vis qui maintiennent la base soient solidement fixées pour éviter tout contact accidentel avec les surfaces chaudes.**

- Assurez-vous que les chapeaux des brûleurs sont bien posés dans les bases sur la table de cuisson.

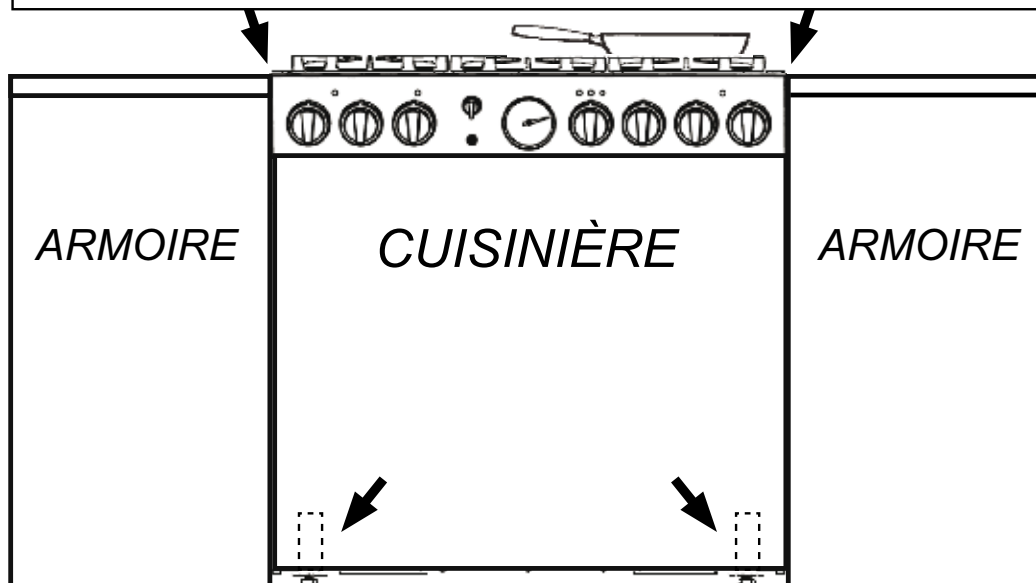
## Réglage de l'angle du gril (certains modèles)

Vérifiez le réglage en versant deux cuillères à table d'eau sur le dos de la plaque. L'eau devrait glisser lentement vers le bac à graisse. Si ce n'est pas le cas, corrigez l'angle à l'aide des deux vis situées à l'arrière de la plaque. Commencez en tournant les vis d'un quart de tour dans le sens antihoraire. Tout réglage ultérieur devrait être fait à l'aide de quarts de tour jusqu'à ce que l'eau glisse dans le bac à graisse.

**⚠ MISE EN GARDE: NE PAS faire fonctionner la cuisinière si les côtés sont inférieurs aux armoires adjacentes. Les températures excessives pourraient endommager les armoires et la surface du comptoir.**



**CORRECT! – Les pieds de mise à niveau doivent être réglés de façon à ce que la cuisinière soit au même niveau que les armoires adjacentes, ou à un niveau supérieur.**



Chaque pied de mise au niveau peut être réglée à l'aide d'une douille ou d'une clé de 3/8 po insérée sur le dessus du pied ou à l'aide d'une clé réglable sur les côtés plats du pied.

Figure 12 : Réglage de la hauteur de la cuisinière



## Chapitre 10 : Test et réglage des brûleurs

Installez tous les éléments libres, comme les capuchons et les grilles des brûleurs, ayant été retirés précédemment. Assurez-vous que les capuchons des brûleurs sont adéquatement placés sur les bases des brûleurs. Avant de vérifier le fonctionnement de l'appareil, assurez-vous qu'aucune fuite n'émane de l'appareil et de la soupape de gaz, assurez-vous que l'appareil est branché à l'alimentation électrique. Ouvrez la soupape d'arrêt de gaz.

### Vérifiez les brûleurs de surface

**Vérifiez la fonction d'allumage des brûleurs.** Choisissez un bouton de brûleur. Poussez et tournez dans le sens antihoraire à **HI**. Le module allumeur/étincelle produit un déclic. Une fois l'air purgé de la canalisation d'alimentation, le brûleur devrait s'allumer en moins de 4 secondes.

**Vérifiez la flamme.** Tournez le bouton à **HI**. Voir Figure 13 pour les caractéristiques de flamme apprises.

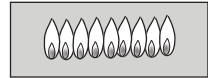
Si un des brûleurs de surface continue de brûler ou qu'il est complètement jaune, vérifiez si le capuchon est positionné adéquatement sur la base du brûleur, puis essayez de nouveau. Si les caractéristiques de flamme ne s'améliorent pas, communiquez avec Thermador.

**Vérifiez la flamme. Réglage bas.** Tournez le bouton à **SIM**. Vérifiez si la flamme enveloppe complètement le brûleur. C'est ce qu'on appelle l'enveloppement. Il doit y avoir une flamme à chaque port du brûleur et il ne doit pas y avoir d'intervalle d'air entre la flamme et le brûleur. Si les brûleurs ne sont pas enveloppés, communiquez avec Thermador.

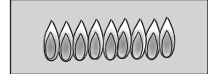
Les 2 brûleurs de surface du côté gauche sont dotés de la fonction **XLO**, faisant effectuer un cycle marche/arrêt à la flamme lorsque le bouton est réglé à **XLO**. Cela est normal.

Répétez l'allumage et la vérification de la flamme pour chaque brûleur de surface.

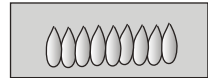
Flamme jaune :  
Réglage nécessaire.



Pointe jaune sur cône extérieur :  
Normal pour gaz LP.



Flamme bleue :  
Normal pour gaz naturel.



Si la flamme est complètement ou presque jaune, assurez-vous que le régulateur est réglé pour le combustible approprié. Après le réglage, vérifiez de nouveau.

Des rayures de couleur orangée sont normales pendant la mise en marche initiale.

Laissez l'appareil fonctionner de 4 à 5 minutes et évaluez de nouveau avant d'effectuer les réglages.

Figure 13 : Caractéristiques de flamme

### LORSQUE LA FLAMME EST ADÉQUATEMENT RÉGLÉE:

- Il doit y avoir une flamme à chaque port du brûleur.
- Il ne doit pas y avoir d'intervalle d'air entre la flamme et le port du brûleur.

### Vérifier les brûleurs du four

**Enlevez le couvercle du fond du four.** Enlevez les 4 vis sur les côtés et les 2 à l'arrière, puis faites glisser le couvercle vers l'avant en le soulevant pour dégager la plaque protectrice en angle du fond du couvercle.

**Remarque :**

l'obturateur d'air pour le brûleur de cuisson est réglé en usine en position complètement ouverte dans toute condition et ne requiert aucun réglage.

### Vérifier l'allumage du brûleur de cuisson

Régler le four à **CUISSON (BAKE)** à 350 °F. Après 30 à 75 secondes, le brûleur s'allume et demeure allumé jusqu'à ce que la température de 350 °F soit atteinte, puis s'éteint. Ensuite, le brûleur fait un cycle marche/arrêt pour maintenir la température.

### Testez le système d'allumage du gril

Régler le mode de cuisson à **BROIL**. Le brûleur s'allumera après 30 à 75 secondes.

Le gril en céramique à infrarouge ne possède pas d'obturateur d'air, raison pour laquelle aucun réglage n'est nécessaire.

**Remettez le couvercle inférieur.** Faites glisser le couvercle en place et réinstallez le fond de la cavité du four.

Communiquer avec Thermador si :

1. Un brûleur ne s'allume pas.
2. La flamme du brûleur de cuisson au four ou au gril s'éteint avant que le four n'ait atteint la température désirée.
3. Si la flamme d'un brûleur reste jaune.

## Liste de vérification pour l'installateur

### Liste finale de vérification

- Les distances spécifiées entre l'appareil et les armoires adjacentes sont respectées.
- Le nivellement de l'appareil d'avant vers l'arrière, et d'un côté à l'autre, a été effectué.
- Les chapeaux de brûleurs sont bien placés sur les bases.
- L'ensemble du matériel d'emballage doit être retiré, y compris le styromousse adhésif apposé aux surfaces de métal brossé.
- Dossieret nécessaire si le dégagement horizontal au matériau combustible derrière la cuisinière est inférieur à 12 po. Le dossieret est nécessaire si le dégagement horizontal par rapport aux matières combustibles à l'arrière de la cuisinière est de moins de 12 po.
- Assurez-vous que la porte s'ajuste correctement à l'ouverture. Réinstallez-la au besoin. (Voir la marche à suivre à la page 16.)
- La base a été fixée à l'aide de deux (2) vis.
- Le gril est bien positionné, incliné légèrement vers l'avant. (Consultez la page 17 pour connaître la procédure d'ajustement.)
- **INSTALLATEUR :**  
Inscrivez le numéro de modèle et le numéro de série dans le guide d'utilisation et d'entretien (page 36).  
Laisser les Guides d'utilisation, d'entretien et d'installation au propriétaire.

## Alimentation en gaz

- Raccord : Filetage NPT de 1/2 po avec tuyau flexible diamètre minimum 19,1 mm (3/4 po) d'environ 4 pi de long selon les codes locaux.
- L'appareil est bien raccordé au type de gaz pour lequel il est certifié.
- Le robinet manuel d'arrêt de gaz a été installé à un endroit accessible (sans devoir déplacer la cuisinière).
- L'appareil a été testé et n'a pas de fuites de gaz.
- La pression d'alimentation en gaz est inférieure à 34,9 mb (14 po) C.E.
- Si la cuisinière fonctionne au gaz propane, assurez-vous que l'alimentation en propane est pourvue de son propre détendeur en plus du détendeur fourni avec l'appareil.

## Électricité

- La prise de courant sur laquelle le cordon d'alimentation est branché est bien protégée contre les surtensions.
- Une mise à la terre adéquate a été installée.
- Une polarité adéquate existe pour la prise.

## Fonctionnement

- Les cadrans des boutons sont bien centrés et les boutons tournent librement.
- Chaque brûleur s'allume correctement, seul ou avec d'autres brûleurs allumés.
- Les crochets charnières de porte(s) du(des) four(s) sont bien en place et se verrouillent correctement. La porte s'ouvre et se ferme correctement.
- Les grilles des brûleurs sont bien placées, nivelées et ne bougent pas.

---

# Nettoyage et protection des surfaces externes

Les surfaces en acier inoxydable se nettoient en passant un chiffon mouillé à l'eau savonneuse. Rincez à l'eau claire puis séchez avec un chiffon sec pour éviter les traces d'eau. Retirez les traces de doigts et les traînées avec un produit à vitres doux.

En cas de décoloration ou de tache persistante, consultez le Manuel d'utilisation et d'entretien.

Pour faire briller et protéger l'acier inoxydable, utilisez un produit nettoyant ou un poli comme Stainless Steel Magic®.

NE laissez PAS les taches s'incruster.

N'utilisez PAS de tampons ni de brosses métalliques. De petits morceaux de métal risquent d'adhérer à la surface et de la faire rouiller.

NE laissez PAS les solutions salines, les désinfectants, l'eau de Javel ou les produits de nettoyage en contact avec l'acier inoxydable. Ces produits contiennent en général des produits chimiques susceptibles de l'endommager. Rincez-les à l'eau puis séchez avec un chiffon sec.

---

# Contenidos

**Instrucciones de seguridad . . . 1**

**Información importante de  
instalación . . . . . 2**

**Paso 1: Requisitos de ventilación . . . . . 3**

**Paso 2: Preparación de gabinetes . . . . . 4**

**Paso 3: Desembalaje y traslado de la estufa . . 9**

**Paso 4: Instalación del dispositivo antivuelco 10**

**Paso 5: Requisitos de gas y conexiones . . . . 12**

**Paso 6: Paso 6: Requisitos eléctricos,  
conexión y puesta a tierra . . . . . 14**

**Paso 7: Instalación del protector trasero . . . . 14**

**Paso 8: Desmontaje y reinstalación  
de la puerta . . . . . 16**

**Paso 9: Colocación y nivelado de la estufa . . 17**

**Paso 10: Pruebas y ajustes de los  
quemadores . . . . . 19**

**Lista de chequeo del instalador . . . . . 20**

**Para limpiar y proteger las  
superficies exteriores . . . . . 20**

Este electrodomestico de Thermador es hecho por  
BSH Home Appliances Corporation  
5551 McFadden Ave.  
Huntington Beach, CA 92649

**¿Preguntas?**

1-800-735-4328

[www.thermador.com](http://www.thermador.com)

**¡Esparamos oír de usted!**

# Instrucciones de seguridad



## Instrucciones de seguridad importantes

LEA TODAS LAS INSTRUCCIONES ANTES DE CONTINUAR

**APROBADO PARA TODAS LAS UNIDADES RESIDENCIALES**

ÚNICAMENTE PARA USO RESIDENCIAL

**IMPORTANTE:** Guarde estas instrucciones para su uso por parte del inspector local de gas.

**INSTALADOR:** Deje estas instrucciones de instalación con el aparato para el propietario.

**PROPIETARIO:** Guarde estas instrucciones para referencia futura.



### ADVERTENCIA:

Desconecte la corriente antes de la instalación. Antes de prender la corriente, asegúrese de que todos los controles estén en la posición de apagado.

### Importante:

Los códigos varían depende de la localidad. La instalación, las conexiones eléctricas y la puesta a tierra deben cumplir con todos los códigos aplicables.

### ADVERTENCIA:

La inatención a la información contenida en este manual podría provocar un incendio o una explosión que podrían causar daños a la propiedad,

- No guarde ni use materiales combustibles, gasolina u otros vapores y líquidos inflamables cerca de éste o cualquier otro aparato.
- **QUÉ HACER EN CASO DE QUE HAYA OLOR A GAS**
  - No trate de encender ningún aparato.
  - No toque ningún interruptor eléctrico.
  - No use ningún teléfono en su edificio.
  - Llame de inmediato a su proveedor de gas desde el teléfono de algún vecino. Siga las instrucciones de su proveedor de gas.
  - Si no puede localizar a su proveedor de gas, llame a los bomberos.
- La instalación y el servicio deben estar a cargo de un instalador calificado, una agencia de

### Para instalaciones en Massachusetts:

1. La instalación debe ser realizada por un contratista, plomero o técnico de gas capacitado o autorizado, quien esté capacitado o autorizado por el estado, la provincia o región donde se esté instalando este aparato.
2. La válvula de cierre debe ser una llave de gas con mango en T.



### ADVERTENCIA



- Todas las estufas pueden volcarse.
- Esto podría causar lesiones.
- Instale el dispositivo antivuelco que se suministra con la estufa.
- Consulte las instrucciones de

PARA REDUCIR EL RIESGO DE VUELCO DEL APARATO, ÉSTE DEBE ASEGURARSE CON UN DISPOSITIVO ANTIVUELCO. VERIFIQUE QUE EL DISPOSITIVO ANTIVUELCO ESTÉ BIEN ENGANCHADO SEGÚN LAS INSTRUCCIONES DE INSTALACIÓN. (**NOTA:** SE REQUIERE INSTALAR EL DISPOSITIVO ANTIVUELCO EN TODAS LAS ESTUFAS DE 30" Y 36", PERO NO EN LAS DE 48").

### Nota:

Esta estufa **NO** está diseñada para la instalación en remolques de caravanas o casas rodantes.

**No instale esta estufa en exteriores.**

# Información importante de instalación

## Verificación del tipo de GAS

Verifique el tipo de gas suministrado en el lugar. Asegúrese de que el aparato esté conectado al tipo de gas para el cual está certificado. Los modelos están certificados para el uso exclusivamente con gas natural o gas propano (LP). Asegúrese de que la estufa coincida con el tipo de gas disponible; NO es posible convertir estas estufas para funcionar con otros gases.



### ADVERTENCIA:

Para evitar un posible riesgo de quemaduras o incendio, durante el funcionamiento de esta estufa debe haber instalado un protector trasero diseñado específicamente para la misma.

diseñado específicamente para la misma.

**Consulte “Tabla C: Número de modelo para los kits de los protectores traseros” on page 15, para averiguar los modelos de protectores correctos que están diseñados para esta estufa. Después de seleccionar el protector trasero apropiado, se debe realizar una instalación correcta de la estufa usando los mínimos espacios libres hasta las superficies combustibles especificados en las instrucciones de instalación de gabinetes en la page 4.**

## Importante:

- Se debe usar un protector trasero cuando haya menos de 12" de espacio libre horizontal entre materiales combustibles y el borde trasero de la estufa. Se debe pedir por separado un protector trasero Thermador e instalarlo en la parte trasera de la estufa. El modelo de 30" incluye un protector trasero bajo y los otros modelos incluyen una moldura de isla. Para instalaciones tipo isla y en casos de que haya un espacio libre mayor de 12", se ofrece una moldura opcional tipo isla de acero inoxidable para tapar las bridas de montaje del protector trasero.
- Verifique que el aparato sea el correcto para el tipo de gas. Consulte el paso 5, en la page 12, antes de seguir con la instalación.



### PRECAUCIÓN:

Para eliminar el riesgo de quemaduras o incendio al inclinarse encima de superficies calientes, se deben evitar gabinetes de almacenamiento arriba de las unidades

superficiales.

## Suministro de gas:

**Gas natural:** 6 pulg. de columna de agua (14.9 mb) mín., 14 pulg. (34.9 mb) máx.

**Gas propano:** 11 pulg. de columna de agua (27.4 mb) mín., 14 pulg. (34.9 mb) máx.

## Alimentación eléctrica:

### Modelo de 30":

4 quemadores: 120 VCA, 60 Hz, monofásico, circuito de 10 A.

### Modelos de 36":

6 quemadores: 120 VCA, 60 Hz, monofásico, circuito de 10 A.

4 quemadores con plancha: 120 VCA, 60 Hz, monofásico, circuito de 20 A.

### Modelos de 48":

6 quemadores con plancha: 120 VCA, 60 Hz, monofásico, circuito de 20 A.



### PRECAUCIÓN:

Al conectar la unidad a gas propano, asegúrese de que el tanque de gas propano esté acompañado por su propio regulador de alta presión además del regulador de presión que se incluye con la estufa. **La máxima presión de gas para este aparato no debe exceder de 14.0 pulgadas (34.9 mb) de columna de agua desde el tanque de gas propano al regulador de presión.**



### PRECAUCIÓN:

Esta unidad está diseñada como aparato para cocinar. Para fines de seguridad, no debe nunca utilizarse para calentar el ambiente.

Este aparato ha sido sometido a pruebas según la norma estadounidense ANSI Z21.1 (Norma para Aparatos de Cocina Domésticos) y la norma canadiense CAN 1.1-M81 (Estufas de Gas Domésticas). Se recomienda encarecidamente instalar este aparato junto con una campana elevada adecuada. (Consulte el paso 1 para averiguar los requisitos de ventilación.) Debido a la elevada capacidad térmica de esta unidad, se debe prestar atención especial a la campana y la instalación de los conductos para asegurarse de que cumplan los códigos de edificación municipales.

Este aparato cumple con una o más de las siguientes normas:

- UL 858, Norma para la Seguridad de Estufas Eléctricas Domésticas
- UL 923, Norma para la Seguridad de Aparatos de Cocina con Microondas
- UL 507, Norma para la Seguridad de Ventiladores Eléctricos
- ANSI Z21.1, Norma Estadounidense Nacional para Aparatos de Cocina Domésticos a Gas
- CAN/CSA-C22.2 No. 113-08 Ventiladores

- CAN/CSA-C22.2 No. 61-08 Estufas de Cocina Domésticas

Revise las regulaciones locales de construcción para averiguar el método correcto de instalación del aparato. Los códigos varían según la localidad. La instalación, conexiones eléctricas y la puesta a tierra deben cumplir con todos los códigos aplicables. A falta de códigos municipales, se debe instalar el aparato conforme al Código Nacional de Gas Combustible ANSI Z223.1/ NFPA 54 (edición actual) y del Código Eléctrico Nacional ANSI/NFPA 70 (edición actual). En Canadá, se debe hacer la instalación conforme a la norma CAN 1-B149.1 y .2: Códigos de Instalación para Electrodomésticos a Gas y/o conforme a los códigos municipales.

Es responsabilidad del propietario y del instalador determinar si se aplican otros requisitos o normas a instalaciones específicas.

## Paso 1: Requisitos de ventilación

Se recomienda encarecidamente instalar una campana extractora de aire apropiada arriba de la estufa. No se debe utilizar ventilación descendente. La tabla siguiente indica las opciones de campanas, ordenadas por número de modelo, que se recomiendan para utilizarse con todas las estufas Thermador.

### 1. Seleccionar la campana y el ventilador:

- Para instalaciones en la pared, el ancho de la campana debe ser por lo menos igual al ancho de la estufa. Si el espacio lo permite, podría ser útil instalar una campana más ancha que la estufa para mejorar la ventilación.
- Para instalaciones tipo isla, el ancho de la campana debe rebasar el ancho de la estufa al menos 3" en cada lado.

Ancho de la estufa	Configuración de la superficie de la estufa	Opciones de ventilación
30"	4 quemadores	Campana de pared Pro de 30" o 36" Inserto personalizado de 30" o 36", con ventilador opcional Campana de isla de 42", con ventilador opcional
36"	4 quemadores con plancha	Campana de pared Pro de 36" o 42" Inserto personalizado de 36", con ventilador opcional
	6 quemadores	Campana de isla de 42" o 48", con ventilador opcional
48"	6 quemadores con plancha	Campana de pared Pro de 48" o 54" Inserto personalizado de 48", con ventilador opcional

### Importante:

Las campanas de ventilación y los ventiladores están diseñados para usarse con canalización de pared sencilla. Sin embargo, algunos códigos municipales de construcción o inspectores de obras podrían requerir canalización de pared doble. Consulte los códigos y/o agencias municipales de construcción antes de comenzar, para asegurarse de que la instalación de la campana y de los conductos cumplan con los requisitos municipales.

No instale un aparato de combinación de microonda/ ventilador encima de la estufa, ya que este tipo de unidades no proporciona la ventilación apropiada y no es apropiado para utilizarse con la estufa.

### 2. Colocar la campana:

- Para lograr una óptima eliminación del humo, el borde inferior de la campana debe estar a una altura de 30" por encima de la superficie de cocinar de la estufa (Figure 1).

### AVISO:

La mayoría de las campanas de estufa tienen componentes combustibles que se deben tener en cuenta al planificar la instalación.

- Si la campana contiene cualquier material combustible (como una cubierta de madera), debe quedar a una altura mínima de 40" sobre la superficie de cocinar.
- ### 3. Considerar incluir una fuente de reposición de aire:
- Debido al alto volumen del aire de ventilación, se recomienda tener una fuente externa de reposición del aire. Esto es particularmente importante en hogares que estén muy bien sellados y aislados.
  - Se deberá consultar con un contratista capacitado en calefacción y ventilación.

Ancho de la estufa	Configuración de la superficie de la estufa	Opciones de ventilación
--------------------	---	-------------------------

**Notas importantes:**

Para las estufas Thermador de la serie Professional se recomienda utilizar una campana de pared o de isla o inserto personalizado Thermador de la serie Professional.

Como soluciones de ventilación para estas estufas, se recomiendan las campanas de pared de la serie HPWB o PH Professional o los insertos personalizados de la serie Professional.

En el sitio web **www.Thermador.com** encontrará una completa selección de opciones de ventilación, ventiladores y accesorios de la serie Professional.

\* Para estufas de gas de alto rendimiento (60,000 BTU o más), se recomienda como mínimo un (1) CFM de ventilación por 100 BTU. Si la estufa tiene una plancha, agregue 200 CFM a la capacidad estimada del ventilador. Se podría requerir un ventilador de mayor capacidad para conductos más largos.

Para aplicaciones de isla, se recomienda utilizar un ancho de campana que exceda el ancho de la estufa en 6" (solapando la estufa un mínimo de 3" en cada lado).

CFM = "pies cúbicos por minuto" (tasa de capacidad de ventilador estándar).

## Paso 2: Preparación de gabinetes

1. La estufa es una unidad independiente. Si desea colocar la unidad junto a gabinetes, se requieren los espacios libres mostrados en la Figure 1. Los mismos espacios libres se aplican a instalaciones tipo isla, pero no a los gabinetes elevados; éstos deberán tener un espacio suficientemente ancho como para admitir la campana de isla abocinada, como se indica en la Figure 1.
2. Estas estufas pueden adentrarse en los gabinetes, más allá del borde de la cara delantera del horno (Figure 2).



**PRECAUCIÓN:**

En estas instalaciones, la puerta y el gabinete pueden causar riesgos de agarre/atrapamiento.

3. El suministro eléctrico y de gas debe quedar dentro de la zona indicada en la Figure 3a.

**Nota:**

La máxima profundidad de gabinetes elevados instalados en cualquier lado de la campana es 13" (330 mm).

Debe haber un espacio libre mínimo de 40 pulg. entre la superficie de cocinar y la parte inferior de un gabinete no protegido. Se puede usar un espacio libre de 30 pulg. pulgadas si la parte inferior del gabinete de madera o metal está protegido por no menos de 1/4 pulg. de un material retardante a las llamas cubierto con no menos de una lámina de acero calibre 28 MSG, acero inoxidable con un grosor de 0.015 pulg.(0.4 mm), aluminio con un grosor de 0.024 pulg. (0.6 mm), o cobre

con un grosor de 0.020 pulg. (0.5 mm). Los materiales retardantes a las llamas llevan la leyenda de siguiente:

UNDERWRITERS LABORATORIES INC. CLASSIFIED MINERAL AND FIBER BOARDS SURFACE BURNING CHARACTERISTICS

A continuación, le siguen las clasificaciones nominales de propagación de llama y humo. Estas designaciones aparecen como "FHC (Propagación de llamas/Humo desarrollado)". Los materiales que tienen una clasificación de propagación de llamas de "O" son retardantes a las llamas. Es posible que los códigos municipales permitan otras clasificaciones para la propagación de llamas.

4. Se debe sellar cualquier abertura en la pared detrás de la estufa y en el piso debajo de la estufa.
5. Si hay menos de 12" de espacio horizontal libre entre el material combustible  $\Delta$  y el borde trasero de la estufa, arriba de la superficie de cocinar, se debe instalar un protector trasero bajo o una bandeja para ollas de Thermador (Figure 2). Si el espacio libre hasta el material combustible  $\Delta$  es mayor de 12", se puede utilizar una moldura de isla de Thermador. La Figure 2 indica el espacio necesario para cada tipo de protector trasero.
6. Siempre mantenga el área del aparato limpia y libre de materiales combustibles, gasolina y otros vapores y líquidos inflamables.
7. No obstruya el flujo del aire de combustión y de ventilación a la unidad.
8. Si se instala la estufa al lado de una pared lateral combustible, deberá haber una separación mínima de 5 pulgadas.

$\Delta$  Tal como se define en el "Código Nacional de Gas Combustible" (ANSI Z223.1, NFPA 54, edición actual).

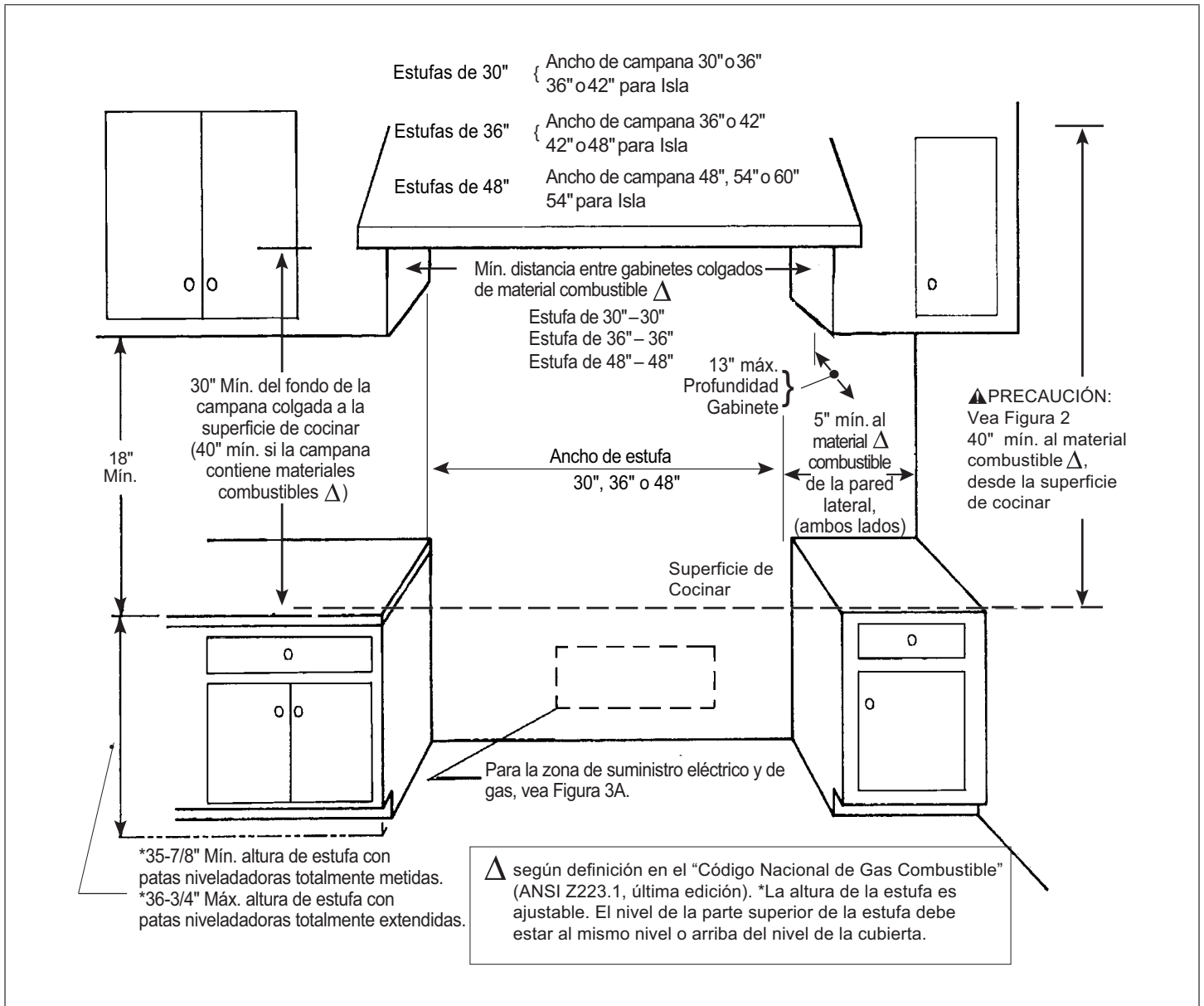


Figura 1: Espacios libres de los gabinetes



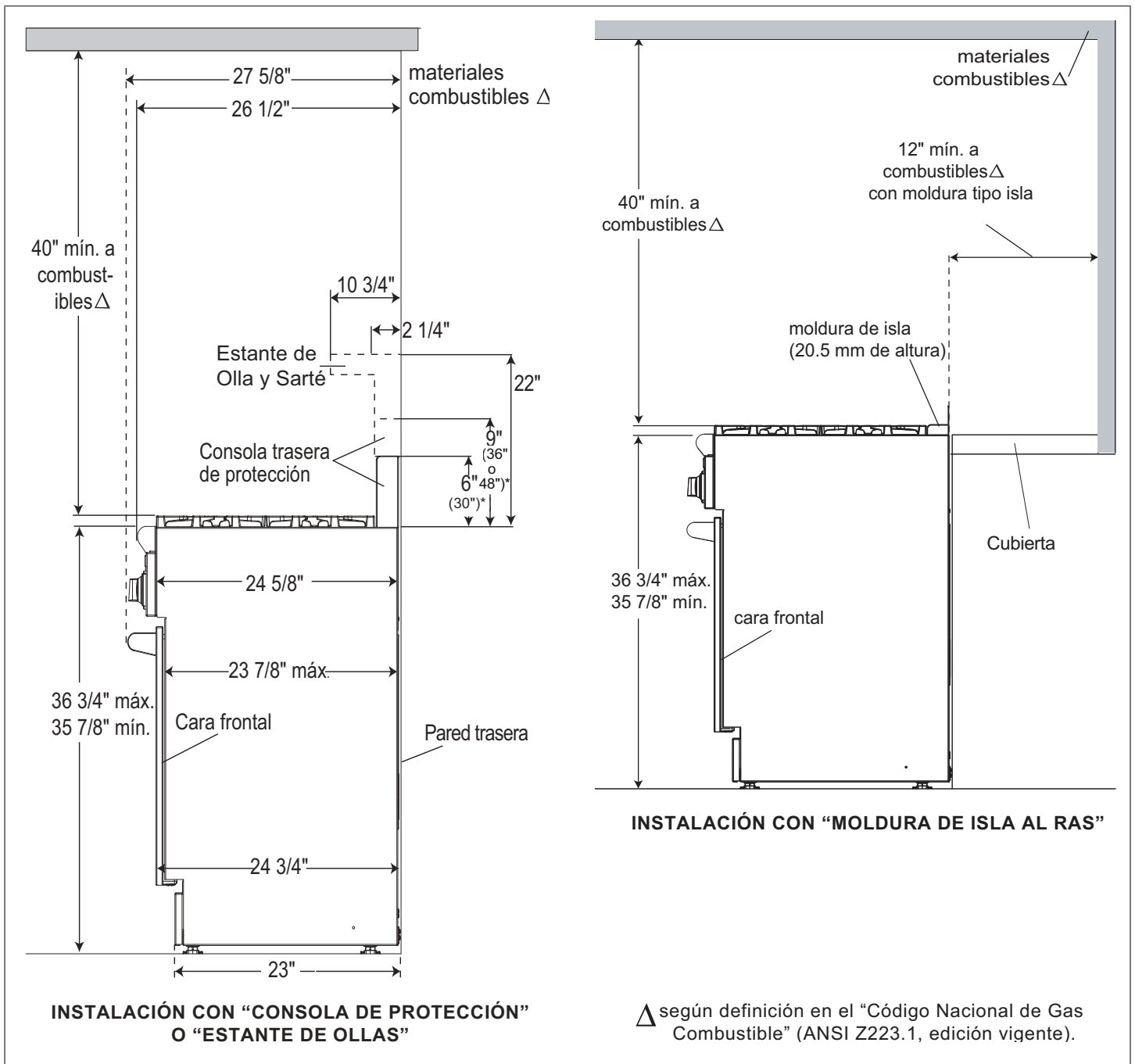


Figura 2: Vista lateral

\* Se refiere a los modelos de estufas de 30", 36" y 48".

**Nota:**

Con la puerta del horno completamente abierta, la parte superior de la puerta se extiende a 44-7/8" de la pared trasera, detrás de la estufa instalada. La instalación debe permitir suficiente espacio libre para poder moverse alrededor de la puerta cuando ésta esté totalmente abierta.

## Suministro eléctrico y de gas

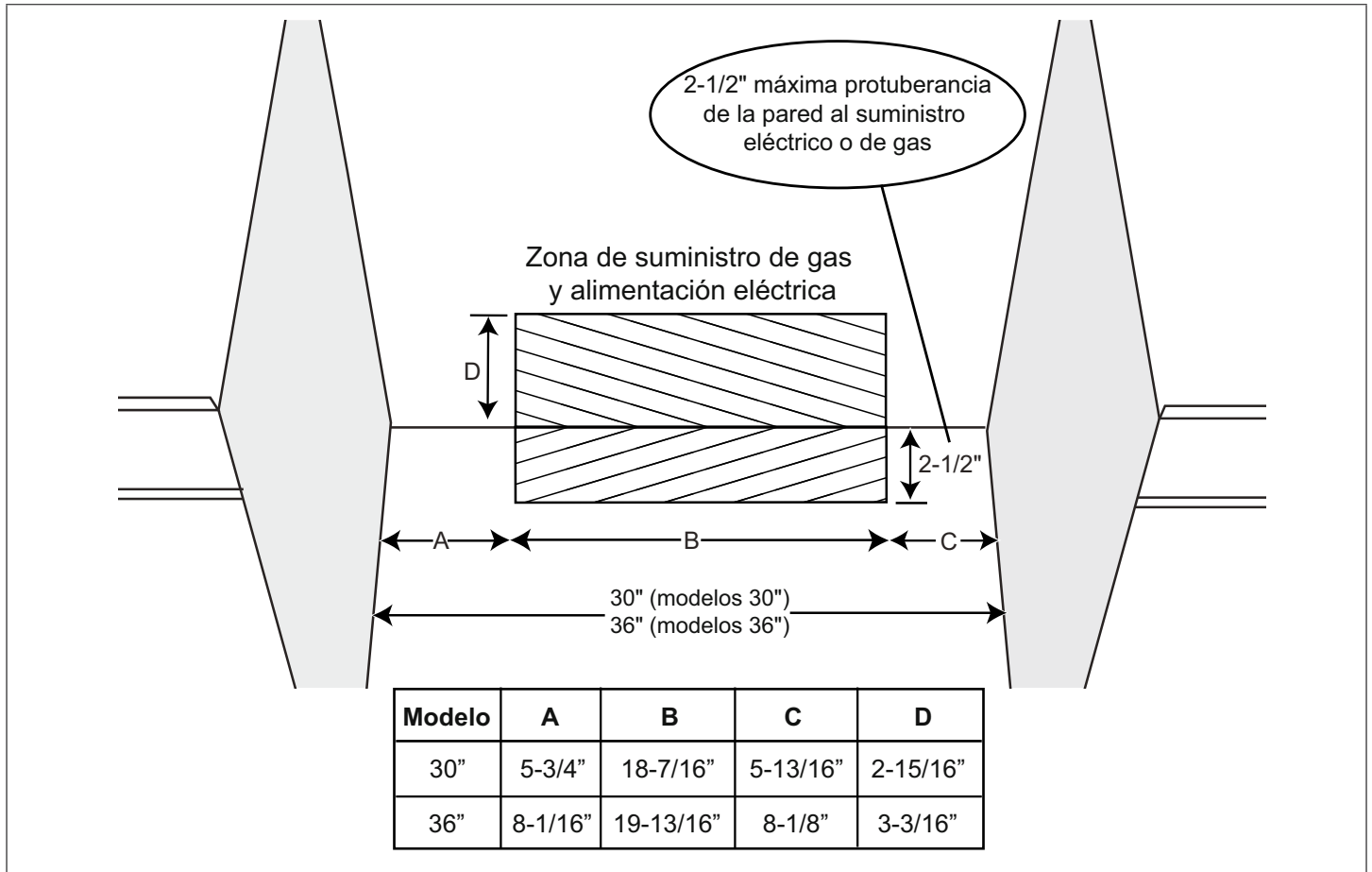


Figura 3: Ubicaciones del suministro eléctrico y de gas para las estufas de gas de 30" y 36"

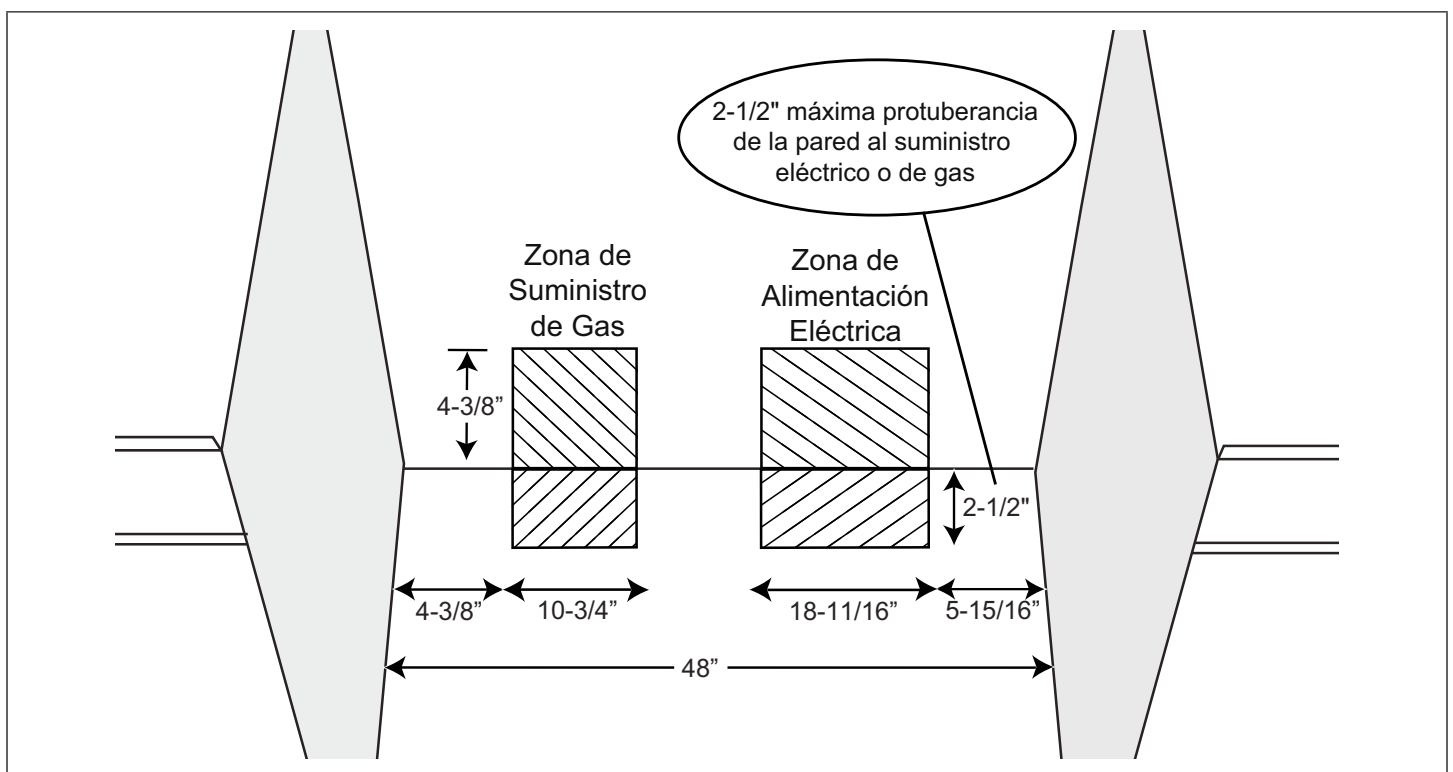


Figura 4: Ubicaciones del suministro eléctrico y de gas para las estufas de gas de 48"

**Nota:**

Si aún no existe, instale una válvula manual de cierre de gas en un lugar de fácil acceso. Asegúrese de que todos los usuarios sepan dónde y cómo cerrar el suministro de gas a la estufa

**Nota:**

El instalador debe informarle al consumidor dónde se encuentra la válvula de cierre de gas.

**Nota:**

Se debe sellar cualquier abertura en la pared que esté detrás del aparato y en el piso debajo de la estufa.

Se pueden conectar las estufas de gas a la fuente de alimentación eléctrica con el cable de alimentación de la estufa que se incluye con la estufa o mediante una conexión directa a la fuente de alimentación. El instalador es responsable de proporcionar los componentes correctos del cableado (cable o conducto y alambres) y terminar la conexión eléctrica conforme a los códigos y regulaciones locales, y/o al Código Eléctrico Nacional. Las unidades deben estar puestas a tierra correctamente. Consulte el Paso 6 para mayor información.

**Se debe conectar la estufa solamente al tipo de gas para el cual está certificada.** Si se quiere conectar la estufa a gas propano, asegúrese de que el tanque de gas propano esté equipado con su propio regulador de alta presión además del regulador de presión incluido con la estufa. (Consulte el Paso 5.)

**Nota:**

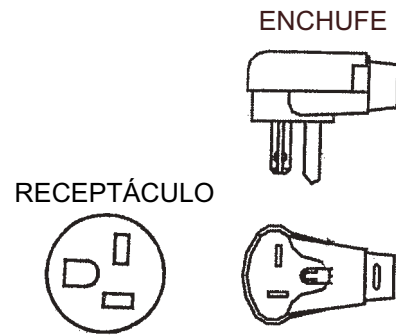
La estufa está diseñada para colocación contra la pared trasera. Para lograr una instalación exitosa, puede que sea necesario repositionar la línea de suministro de gas y el cable eléctrico a medida que se empuja la estufa hacia su posición final.

**SUGERENCIA: Esto se puede lograr jalando cuidadosamente una cuerda o cordel enroscado alrededor de la línea de entrada de gas o electricidad mientras la estufa es empujada hacia atrás a su posición final.**

**Importante:**

El cable de alimentación que se incluye con las estufas de gas, que viene con una plancha eléctrica, requiere un tomacorriente tipo NEMA 5-20, que se muestra aquí. Los

códigos municipales podrían requerir un método diferente de conexión.



## Alimentación eléctrica

Se debe planear la instalación de la estufa de tal modo que la chalupa de la caja de conexiones para el tomacorriente o la conexión directa tenga el máximo espacio libre a la parte trasera de la unidad. Para minimizar el contacto una vez que la unidad esté conectada al tomacorriente o a la caja de conexiones, oriente el tomacorriente y deslícelo de vuelta a su posición.

Cuando el cable de alimentación eléctrica se conecta al tomacorriente correspondiente, la conexión combinada de enchufe/tomacorriente no deberá sobresalir más de 2-1/2" de la pared trasera. Consulte la Figure 3b.

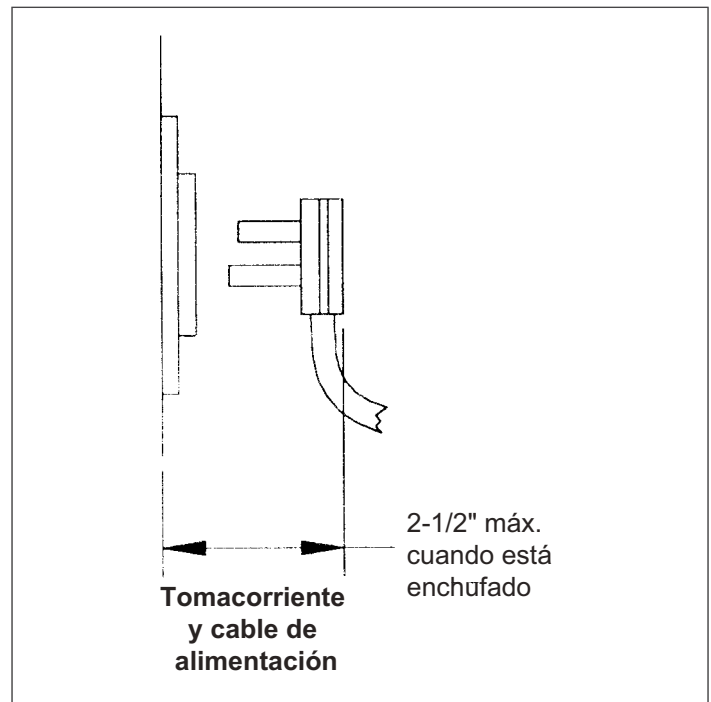


Figura 3b: Conexión de la pared:

## Paso 3: Desembalaje y traslado de la estufa



### PRECAUCIÓN

Se deben utilizar los equipos apropiados y suficientes personas para mover la estufa y evitar lesiones, y para no dañar la unidad o el piso. La unidad es pesada y debe manejarse de manera correspondiente.

- La estufa tiene el peso aproximado de embarque mostrado en la tabla A. Para facilitar el manejo, se deben quitar los materiales informativos (con los manuales), las parrillas, la bandeja de la plancha, las tapas de los quemadores, el panel delantero inferior y las rejillas del horno. Se recomienda también quitar la(s) puerta(s) (See “Paso 8: Desmontaje y reinstalación de la puerta” on page 16). Esto reduce el peso, como se muestra en la tabla A. Consulte la Figure 2 en la page 6. No quite el conjunto de la bandeja y la plancha.
- Retire la caja exterior de cartón y el material de empaque de la tarima de embarque. Las estufas completamente a gas se fijan a la tarima con cuatro (4) pernos (la Figure 5). Se puede acceder a los dos pernos frontales de la tarima únicamente después de retirar el panel delantero inferior. Quite los dos tornillos situados por debajo de las esquinas inferiores de la cavidad del horno, y levante y saque el panel delantero inferior de los dos salientes de la base moldeada de la estufa que sujetan el borde inferior del panel. Después de quitar los pernos, se debe levantar la estufa y sacarla de la tarima.



### PRECAUCIÓN

NO levante la estufa por la agarradera de la puerta del horno, ya que podrían dañarse las bisagras de la puerta y el ajuste de la puerta en la cavidad del horno.

Tabla A	Estufa de 30"	Estufa de 36"	Estufa de 48"
Peso de embarque	300 lbs.	335 lbs.	534 lbs.
Peso sin materiales de empaque	265 lbs.	300 lbs.	469 lbs.
Sin puerta(s), tapas de quemadores, panel delantero inferior y rejillas del horno	142 lbs.	207 lbs.	322 lbs.

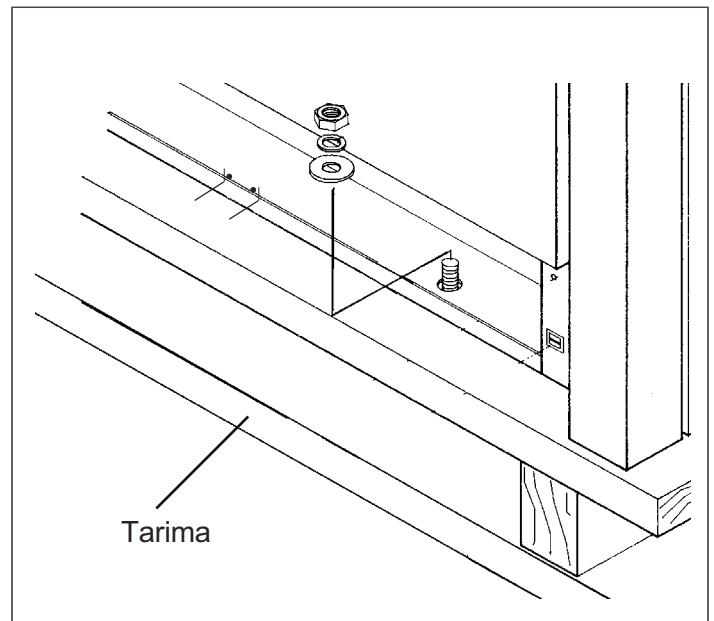
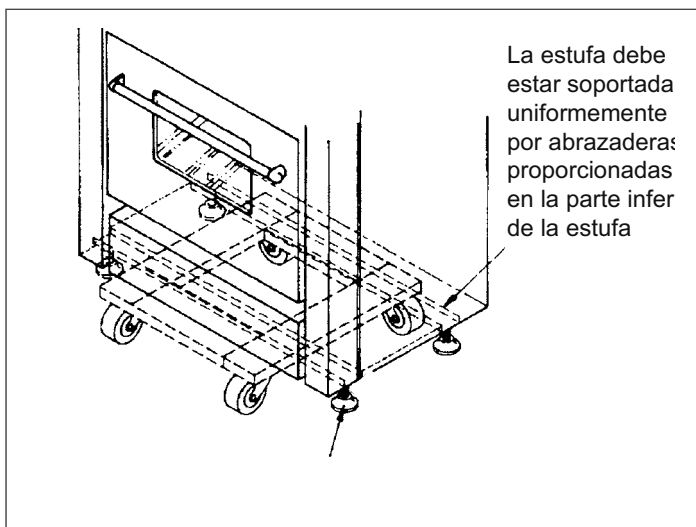


Figura 5: Retiro de los cuatro (4) pernos de transporte

### Nota:

Deje las láminas de espuma adhesivas encima de las superficies de metal cepilladas para proteger el acabado contra rayas hasta colocar la estufa en su posición final.

- Esta unidad es muy pesada, y por tanto debe transportarse en una carretilla con ruedas suaves. El peso debe quedar soportado uniformemente sobre la parte inferior (Figure 6).
- Después de transportar la estufa por la carretilla a su destino final, se puede inclinar la estufa hacia atrás, soportada sobre las patas traseras, mientras se saca cuidadosamente la carretilla. **SE DEBE PROTEGER EL PISO DEBAJO DE LAS PATAS ANTES DE EMPUJAR LA UNIDAD A SU POSICIÓN FINAL.** Se debe hacer lo siguiente: instalar el dispositivo antivuelco (PASO 4), hacer las conexiones eléctricas y de gas (PASOS 5 y 6), e instalar el protector trasero (PASO 7) antes de colocar la estufa en su posición final.
- No instale la(s) puerta(s) del horno antes de que la estufa esté en su posición final.



La estufa debe estar soportada uniformemente por abrazaderas proporcionadas en la parte inferior de la estufa

Figura 6: Colocación de la carretilla

Quite todas las cintas y el material de embalaje antes de usar el aparato. Destruya el material de embalaje después de desempacar el aparato. No permita nunca que los niños jueguen con el material de embalaje.

## Paso 4: Instalación del dispositivo antivuelco

Para todas las estufas de 30" y 36", se debe instalar un dispositivo antivuelco siguiendo estas instrucciones.



### ADVERTENCIA: RIESGO DE VUELCO DE LA ESTUFA

- Todas las estufas pueden volcarse y causar lesiones. Para prevenir el vuelco accidental de la estufa, fíjela a la pared, al piso o al gabinete con el dispositivo antivuelco que se incluye.
- Si no se instala el aparato de acuerdo con estas instrucciones, habrá riesgo de vuelco.
- Si se jala la estufa de la pared por motivos de limpieza, servicio u otra razón, asegúrese de volver a enganchar correctamente el dispositivo antivuelco al volver a empujar la estufa contra la pared. El incumplimiento de esta precaución podría dar lugar al vuelco de la estufa en caso de un uso anormal (tal como que alguien se siente, se pare o se recueste sobre una puerta abierta). Como consecuencia, podrían producirse lesiones debido a líquidos calientes derramados, o por la estufa misma.



### ADVERTENCIA: RIESGO DE DESCARGA ELÉCTRICA

- Tenga mucho cuidado cuando perforo orificios en la pared o el piso. Podría haber cables eléctricos ocultos detrás de la pared o debajo del piso.
- Identifique los circuitos eléctricos que podrían resultar afectados por la instalación del dispositivo antivuelco, luego apague la corriente de estos circuitos.
- El incumplimiento de estas instrucciones podría causar una descarga eléctrica y lesiones serias.



### ADVERTENCIA:



- Todas las estufas pueden volcarse.
- Esto podría causar lesiones.
- Instale el dispositivo antivuelco que se suministra con la estufa.
- Cerciórese de que el dispositivo antivuelco esté enganchado.
- Consulte las Instrucciones de

### PRECAUCIÓN: DAÑOS A LA PROPIEDAD

- Contacte a un instalador o contratista capacitado para determinar el mejor método de perforar los orificios a través de la pared o del piso tomando en cuenta el material (como azulejos de cerámica, madera dura, etc.).
- No deslice la estufa encima de un piso desprotegido.
- El incumplimiento de estas instrucciones podría ocasionar daños en la pared o el piso.

### Herramientas necesarias para la instalación del dispositivo antivuelco:

- Destornillador, Phillips
- Taladro eléctrico o de mano
- Cinta de medir o regla
- Broca de 1/8" (para pared y piso de madera o de metal)
- Broca de concreto 3/16" con punta de carburo (para pared o piso de concreto)
- Taquetes de 3/16", para muro seco o de concreto, 4 cada uno (no se requieren si la abrazadera de soporte está fijada a una superficie sólida de madera o metal)
- Martillo
- Lápiz u otro marcador

## Estufas de 30" y 36"

Consulte la Figure 7 y la Figure 8.

No./Parte Servicio Thermador	Cant.	Descripción
415078	4	Destornillador, Phillips #10 x 1-1/2"
647936	1	Soporte de antivuelco, montaje de piso

### Información importante de instalación:

- Se puede fijar el soporte antivuelco a un gabinete sólido de madera que tenga un grosor mínimo de pared de 3/4".
- El grosor de la pared o del piso podría requerir tornillos más largos, disponibles en cualquier ferretería.
- En todos los casos se deben fijar al menos dos (2) de los tornillos de fijación de soporte a madera sólida o metal.

- Use taquetes apropiados al fijar el soporte de montaje a cualquier material diferente a madera o metal.

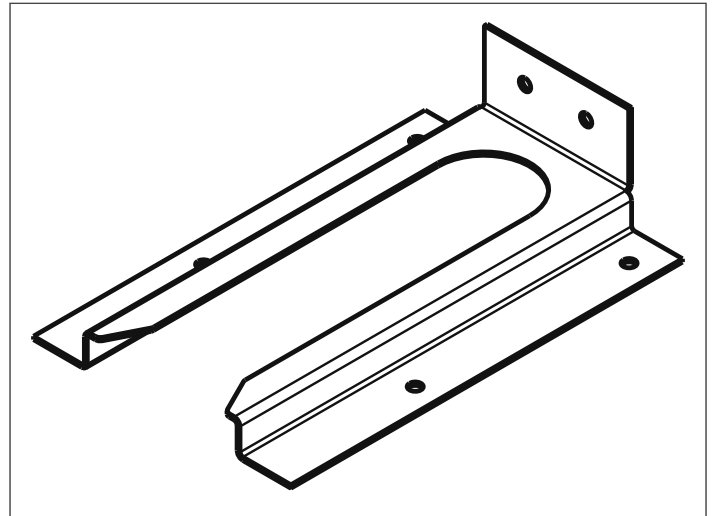


Figura 7: Soporte antivuelco

#### Nota:

Las estufas de 48" no requieren el soporte antivuelco. La razón de ello es el tamaño y la distribución de peso de los modelos de 48".

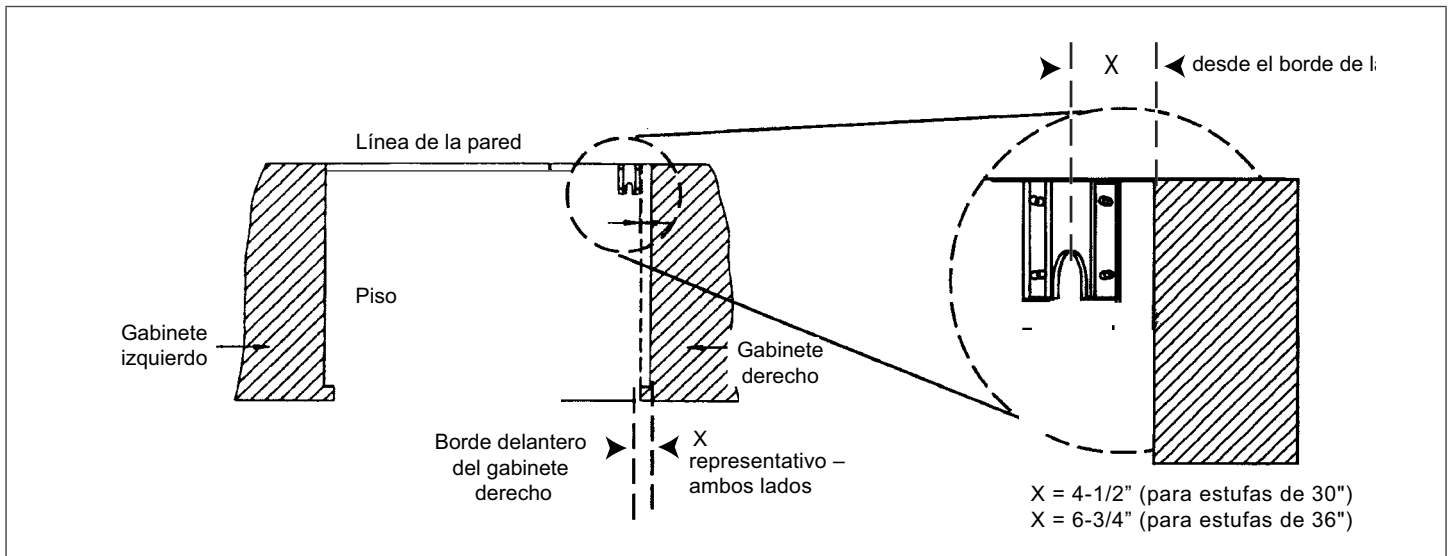


Figura 8: Soporte de montaje antivuelco (vista superior)

- Prepare orificios en las posiciones de sujeción indicadas a continuación:
  - Para paredes, montantes de pared o pisos de madera sólida o metal, perfore orificios de 1/8".
  - Para paredes o pisos de muro seco, tablarroca u otros materiales suaves, perfore orificios de 3/16" a una profundidad mínima de 1-3/4", luego inserte taquetes de plástico en cada orificio con un martillo.
  - Para paredes o pisos de hormigón o bloques de hormigón, perfore orificios de 3/16" a una profundi-

dad mínima de 1-3/4", luego inserte taquetes para concreto en cada orificio con un martillo.

- Para paredes o pisos cubiertos con azulejos de cerámica, perfore orificios de 3/16" solamente a través del azulejo, luego perfore el material detrás del azulejo como se indica arriba.
- Si se va a trasladar la estufa a una nueva ubicación, se deberá quitar y reinstalar el dispositivo antivuelco.

## Soporte de montaje antivuelco

El soporte de montaje alternativo para el piso debe ser instalado del siguiente modo:

1. Coloque el soporte en el piso en la posición indicada en la Figure 8 (se puede usar el soporte en cualquier esquina del área de instalación).
2. Fíjelo al piso o a un montante de pared.
3. Luego, cuando la unidad está instalada, la pata ajustable se desliza debajo del soporte.

## Paso 5: Requisitos de gas y conexiones

Verifique el tipo de gas que se está usando en el lugar de instalación. **Las unidades vienen configuradas de fábrica para uso exclusivamente con gas natural o gas propano (LP). Asegúrese de que la estufa coincida con el tipo de gas disponible en ese lugar. NO se pueden convertir estas estufas para otros tipos de gas.**

Para la instalación del aparato a altitudes elevadas, consulte con su proveedor local de gas para averiguar sus recomendaciones sobre los tamaños de orificios correctos y otros ajustes necesarios que proporcionarán una combustión correcta del gas a altitudes específicas.



### PRECAUCIÓN

Cuando conecte la unidad a gas propano, asegúrese de que el tanque de gas propano venga con su propio regulador de alta presión, además del regulador de presión que se incluye con la estufa. La máxima presión de gas suministrada al regulador de esta unidad no debe exceder 14.0 pulgadas de columna de

agua (34.9 mb).

### Requisitos para gas natural:

Conexión de entrada:	N.P.T. interno de 1/2" (manguera flexible con diámetro mín. de 3/4")
Presión de suministro:	6" a 14" (máx.) de columna de agua. (14.9 a 34.9 mb)
Presión de admisión:	5" de columna de agua (12.5 mb)

### Requisitos para gas propano:

Conexión de entrada:	N.P.T. interno de 1/2" (manguera flexible con diámetro mín. de 3/4")
Presión de suministro:	11" (mín.) a 14" (máx.) de columna de agua. (27.4 mb a 34.9 mb)
Presión de admisión:	10" de columna de agua (24.9 mb)



### ADVERTENCIA

La línea de gas no debe tener contacto con ningún componente dentro de la cubierta trasera de la estufa.

## Conexión

- **Se debe instalar una válvula manual externa de cierre de gas, en un lugar accesible desde el frente para cerrar el suministro de gas.** La línea de suministro no debe interferir en la parte trasera de la unidad. Asegúrese de cerrar el suministro de gas en la válvula de cierre manual antes de conectar el aparato.
- La estufa viene con su propio regulador de presión que fue montado permanentemente dentro del cuerpo de la estufa.
- Utilice una manguera flexible de 3/4" entre el suministro de gas y la entrada de suministro del aparato, ubicada en la parte inferior derecha de la estufa (Figure 9). La conexión de la línea de suministro del aparato es NPT de 1/2". Tenga cuidado de no torsionar la manguera flexible de 3/4" cuando haga dobleces. La longitud sugerida de la manguera flexible es 48". Sin embargo, antes de hacer la instalación debe averiguar los requisitos de su región especificados en los códigos municipales.
- Un técnico competente debe realizar las conexiones del suministro de gas conforme a los códigos y regulaciones municipales. A falta de códigos municipales, la instalación debe estar conforme al Código Nacional de Gas Combustible ANSI Z223.1/NFPA54, edición actual.
- Siempre aplique grasa para rosca o cinta de Teflon® en las roscas del tubo y tenga cuidado de no aplicar demasiada fuerza al apretar las conexiones.
- Las pruebas de fugas del aparato deben realizarse en seguimiento de las siguientes instrucciones.
  - Abra el gas y, con una solución de agua y jabón, revise las conexiones de la línea de suministro para ver si hay fugas.
  - La presencia de burbujas indica una fuga de gas. Repare todas las fugas de inmediato.



## ADVERTENCIA

No use una llama de ningún tipo para verificar si hay fugas de gas.



## PRECAUCIÓN:

El aparato debe aislarse del sistema de tubería de suministro de gas cerrando la válvula manual de cierre durante cualquier prueba de presión de la línea de suministro de gas a presiones de prueba iguales o inferiores a 1/2 psig (3.5 kPa).

El aparato y su válvula de cierre individual deben aislarse del sistema de tubería de suministro de gas durante cualquier prueba de presión del sistema a presiones de prueba iguales o inferiores a 1/2 psig (3.5 kPa).

Cuando verifique la presión de gas de admisión, la presión de entrada al regulador debe ser al menos de 6.0" (14.9 mb) de columna de agua para gas natural o de 11.0" (27.4 mb) para gas propano.

No trate de ajustar el regulador de presión.

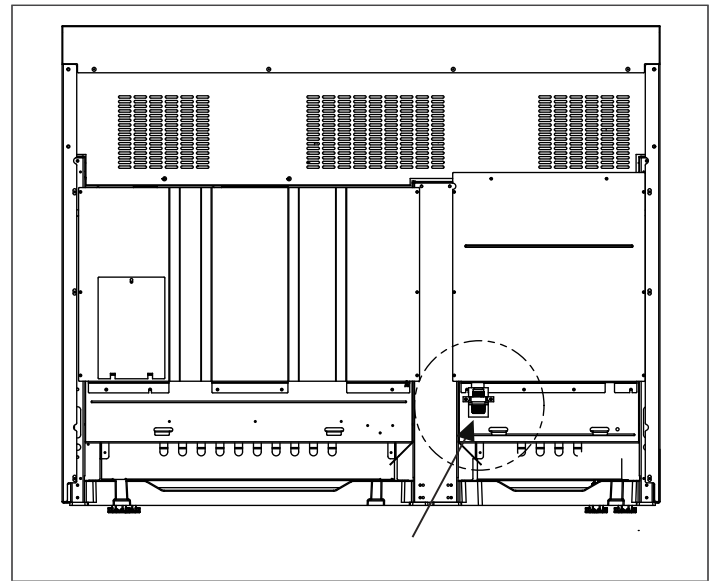


Figura 10: Ubicación de la conexión de la línea de suministro de gas en estufas de 48"

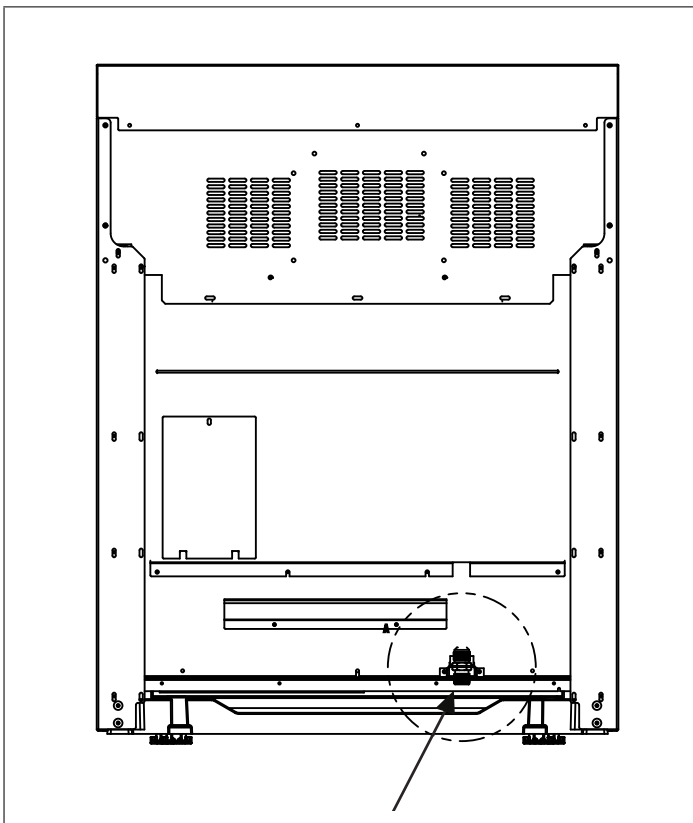


Figura 9: Ubicación de la línea de suministro de gas



# Paso 6: Paso 6: Requisitos eléctricos, conexión y puesta a tierra

Antes de proceder a la instalación, apague la alimentación en el panel de servicio. Bloquéelo para impedir el encendido accidental de la alimentación.

**Tabla B: Requisitos del circuito de alimentación eléctrica**

MODELO Tipo	VOLTAJE	CIRCUITO CLASIFICACIÓN	FRECUENCIA	FASE
30"	120 VCA	10 A	60 Hz	monofásico
36"	120 VCA	10 A	60 Hz	monofásico
36" con plancha	120 VCA	20 A	60 Hz	monofásico
48" con plancha	120 VCA	20 A	60 Hz	monofásico

- Estos modelos de estufas de gas requieren un cable de alimentación neutro de la fuente de alimentación (panel de cortacircuitos/fusibles) porque los componentes críticos de la estufa, entre ellos los módulos de reencendido por chispa de los quemadores superficiales, requieren 120 VCA para funcionar correctamente.



## ADVERTENCIA

Una fuente de alimentación incorrecta de 120 VCA causará un mal funcionamiento de este aparato, y posiblemente creará riesgos de descargas eléctricas.

- Si no se proporciona el circuito eléctrico correcto, el instalador y el usuario serán responsables de conectar una fuente de alimentación apropiada. Esta tarea debe quedar a cargo de un técnico capacitado y estar conforme a todos los códigos y regulaciones municipales aplicables. A falta de códigos municipales, la conexión de la fuente de alimentación debe estar conforme al Código Eléctrico Nacional.
- Observe todos los códigos y regulaciones en vigor cuando realice la puesta a tierra. A falta de códigos municipales, observe el Código Eléctrico Nacional ANSI/NFPA No. 70, edición actual.
- Los diagramas eléctricos se encuentran en el área del panel delantero inferior de la estufa, para el acceso de un técnico de servicio capacitado.
- Antes de enchufar el cordón eléctrico, asegúrese de que todos los controles estén en la posición de apagado ("OFF").
- Para los aparatos equipados con un cordón y un enchufe, no corte ni quite el diente de puesta a tierra. Debe enchufarlo en el receptáculo que le corresponda para evitar toda descarga eléctrica. Si tiene alguna duda respecto a la puesta a tierra, el cliente debería hacerla verificar por un electricista capacitado.

- Instalador: enseñe al propietario la ubicación del panel de cortacircuitos / fusibles. Señálelo bien para que sea fácil de encontrar.

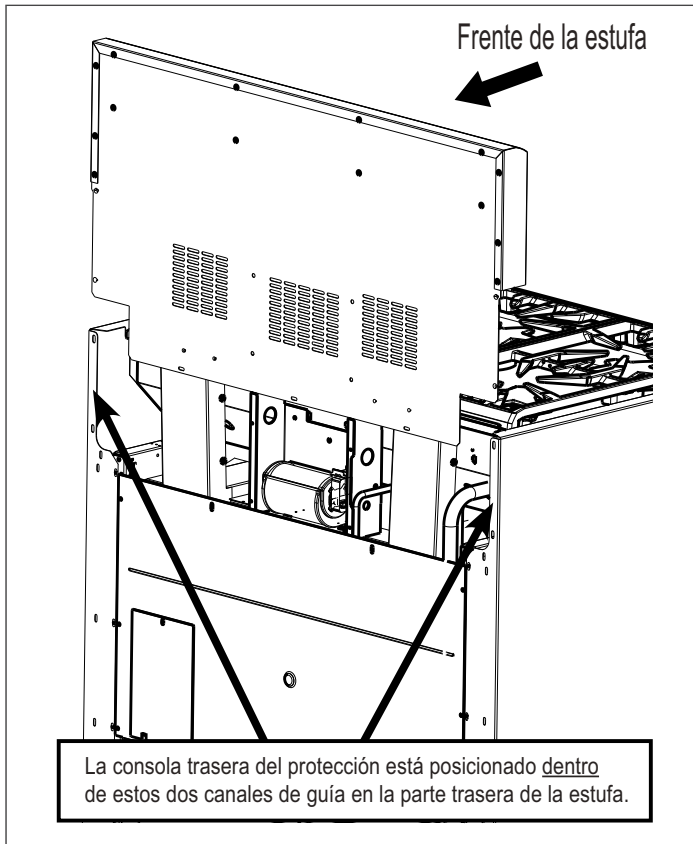
## Importante:

Se requiere un servicio de 20 A para la estufa con plancha eléctrica.

## Paso 7: Instalación del protector trasero

- El protector trasero debe estar instalado antes de deslizar la estufa a su posición final. Se debe instalar un protector trasero bajo o un estante para ollas si hay menos de 12" de distancia a una pared trasera de material combustible y la parte trasera de la estufa arriba de la superficie de cocinar.
- Se dispone de una moldura de isla para tapar el área posterior de la estufa en instalaciones tipo isla; sin embargo, dicha moldura sólo puede utilizarse donde haya un mínimo espacio horizontal libre de 12" entre una pared trasera de material combustible y la parte trasera de la estufa.
- El protector trasero se inserta dentro de los canales guías situados detrás de la estufa, como se ve en la ilustración. (En modelos con plancha, retire la bandeja de la plancha para tener suficiente espacio libre de instalación.) Con un destornillador Torx T-20, apriete el protector trasero con cuatro (4) tornillos de cabeza Torx a los paneles laterales de la estufa, con dos (2) tornillos al panel trasero de la estufa y cuatro (4) tornillos al ventilador de enfriamiento.
- Para fijar el frente del protector trasero, instale tres (3) de los tornillos de cabeza Torx a través del panel delantero inferior del protector trasero en la brida de la parte trasera de la superficie de cocina de la estufa.

- En los modelos con estante para ollas se debe ensamblar primero el panel superior al armazón con nueve (9) de los tornillos de cabeza Torx incluidos. Para que aguante la carga, ES NECESARIO fijar los dos (2) tornillos de cabeza Torx a través de las esquinas traseras de la armazón con el estante bajado.
- Los modelos con estante para olla tienen una estante arriba de la superficie de cocina para mantener calientes alimentos o para guardar ollas. **OBSERVE LAS PRECAUCIONES.**



### ADVERTENCIA

Durante la instalación del protector trasero existe el riesgo de agarre/atrapamiento de los dedos o las manos, con posibilidad de sufrir lesiones graves. Proceda con sumo cuidado y póngase guantes protectores gruesos para evitar posibles cortadas o laceraciones de los dedos o las manos al deslizar el protector trasero en la estufa.



### ADVERTENCIA

Para evitar un posible riesgo de quemaduras o incendio, durante el funcionamiento de esta estufa debe haber instalado un protector trasero diseñado específicamente para la misma.



### PRECAUCIÓN

¡El estante para ollas puede calentarse mucho! NO coloque encima del estante para ollas:

- objetos de plástico o contenedores que se puedan derretir
- artículos inflamables
- una carga total mayor de 30 libras (13.6 kg)

**Tabla C: Número de modelo para los kits de los protectores traseros**

Ancho de la estufa	Modelo de 6" Protector trasero bajo	Protector trasero bajo de 9"	Estante para ollas de 22"	Moldura de isla
30"	Se incluye con la estufa	N/A	PA30GSH	PA30GITH
36"	N/A	PA36GLBH	PA36GSH	Se incluye con la estufa
48"	N/A	PA48GLBH	PA48GSH	Se incluye con la estufa

## Paso 8: Desmontaje y reinstalación de la puerta



### PRECAUCIÓN

TENGA CUIDADO AL QUITAR LA PUERTA. LA PUERTA ES MUY PESADA.

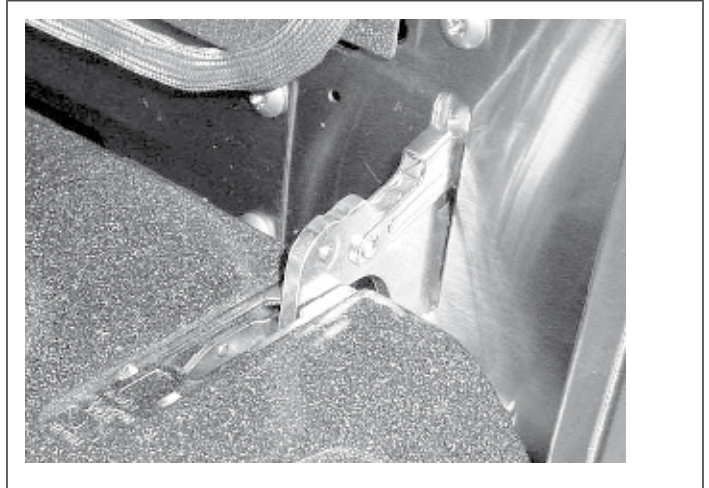
- Compruebe que el horno esté frío y que se haya apagado la corriente antes de quitar la puerta. De otro modo, podría sufrir descargas eléctricas o quemaduras
- La puerta del horno es pesada y frágil. Use ambas manos para quitar o reemplazar la puerta.
- Agarre sólo los costados de la puerta del horno al desmontarla o reemplazarla.
- De no agarrar la puerta del horno firmemente y de modo correcto, podría causar lesiones o dañar el producto.
- Una vez retirada la puerta, no suelte nunca las palancas ni intente cerrar las bisagras. Sin el peso de la puerta, los poderosos resortes cerrarán las bisagras con gran fuerza.

### Para desmontar la puerta del horno:

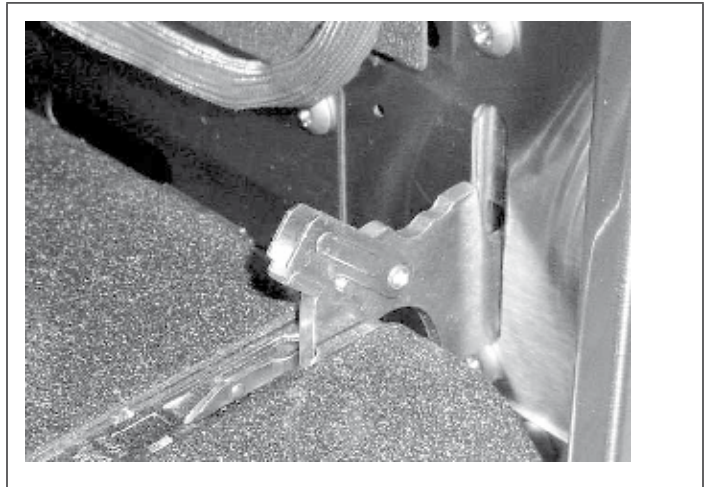
1. Abra la puerta del horno completamente.
2. Voltee la palanca de la bisagra hacia usted (vea la ilustración a la derecha).
3. Cierre la puerta hasta que se detenga (la palanca de la bisagra abierta mantiene la puerta mitad abierta).
4. Agarre la puerta en los lados. La puerta es pesada y frágil, de manera que siempre debe agarrarla con ambas manos. Levante la puerta y sáquela (debe vencer la resistencia de resorte). Cuando la parte delantera de la puerta esté lo suficientemente alta, se podrá jalar y sacar la puerta.
5. Guarde la puerta en un lugar seguro y estable.

### Para reinstalar la puerta del horno:

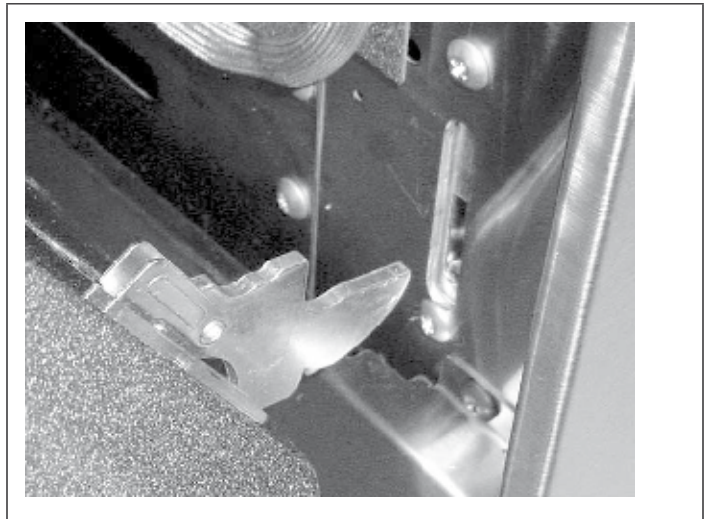
1. Agarre la puerta en ambos lados. Inserte las bisagras en las ranuras correspondientes. La puerta quedará abierta por la mitad. Podría ser necesario presionar firmemente sobre la parte inferior de la puerta, por medio de un movimiento mecedor para asentar bien las bisagras de la puerta.
2. Abra la puerta completamente para exponer las palancas de las bisagras. Presione las palancas hacia el horno (en dirección contraria a usted) hasta que enganchen con la bisagra.
3. Cierre y abra la puerta lentamente para probar la instalación. La puerta debería abrir y cerrar suavemente y estar recta, no torcida.



Fotografía A: Soporte de bisagra en posición cerrada



Fotografía B: Voltar la palanca de la bisagra hacia usted



Fotografía C: Bisagra retirada del horno

## Paso 9: Colocación y nivelado de la estufa

- Para lograr un funcionamiento correcto, **la estufa debe estar nivelada**. (Esto es muy importante para todos los productos que tienen la plancha).
- La estufa tiene cuatro patas de nivelación que están enroscadas en la base de fundición de aluminio. La estufa se nivela girando las patas con una llave o dado de 3/8" en las caras hexagonales en la parte superior de cada pata, o con una llave ajustable en las caras de los lados de las patas (Figure 12).
- La progresión de los ajustes de altura debe hacerse de manera alterna y proporcionalmente entre las cuatro patas, hasta que los bordes superiores de los paneles laterales de la estufa se aproximen a la altura de la cubierta (encimera) de la cocina.



### PRECAUCIÓN

Los bordes superiores de los paneles laterales de la estufa debe estar a un nivel igual o superior que al de la cubierta (encimera) adyacente. Si la estufa estuviera a una altura baja en relación con el gabinete adyacente, dicho gabinete y la cubierta (encimera) podrían estar expuestos a temperaturas excesivas durante el uso de la estufa, y, dañarse (Figure 12).

- Los ajustes finales de altura de las dos patas traseras se realizan antes de trasladar la estufa a su posición de instalación en el gabinete.
- Conforme se traslada la estufa a su posición final de instalación, verifique que una de las patas traseras de la estufa se ha encajado debidamente en el soporte antivuelco (consulte el Paso 4). Esto se puede verificar observando la abertura cerca del piso, en ausencia del panel delantero inferior.

### AVISO:

Las estufas de 48" tienen un tamaño y distribución de peso que no requieren utilizar el soporte antivuelco.

- Con la estufa en la posición instalada, se hacen los ajustes finales de altura a las dos patas delanteras para asegurarse de la alineación correcta de la cubierta (encimera).

### Nota:

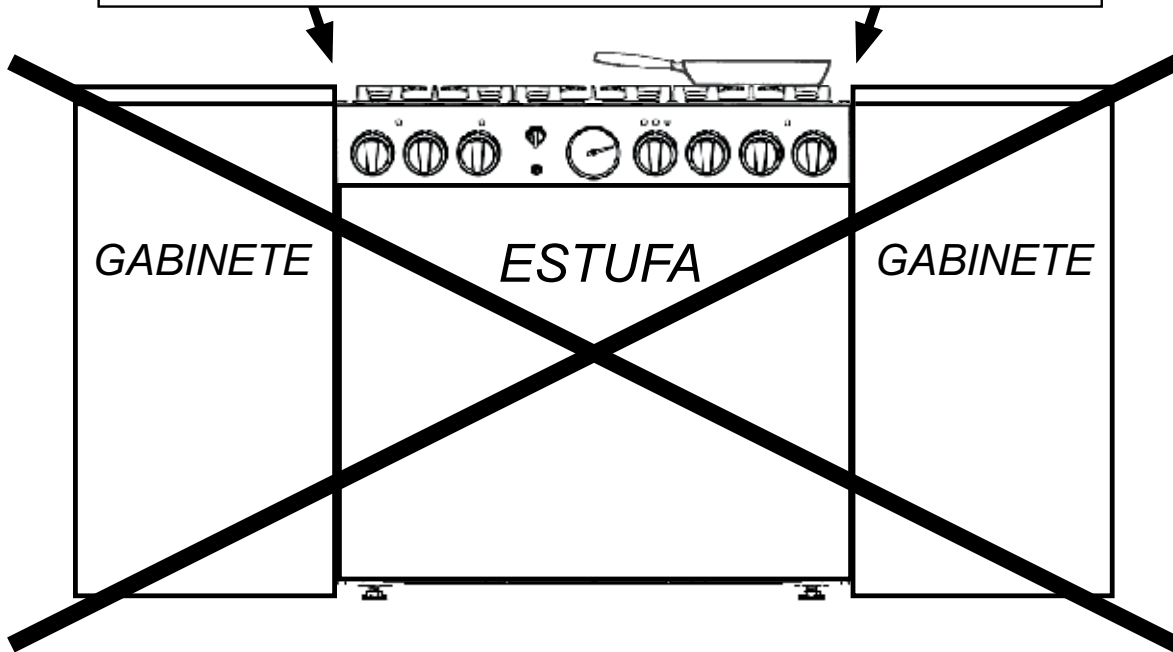
Se supone que la cubierta (encimera) adyacente a la estufa está correctamente nivelada.

- Después de la nivelación correcta de la estufa, vuelva a colocar el panel delantero inferior y a reinstalar la puerta del horno (See "Paso 8: Desmontaje y reinstalación de la puerta" on page 16). **Es importante que los dos (2) tornillos que fijan el panel delantero inferior queden bien apretados para evitar el acceso accidental a las superficies calientes.**
- Asegúrese de asentar correctamente las tapas de los quemadores en sus bases de la superficie de cocina de la estufa.

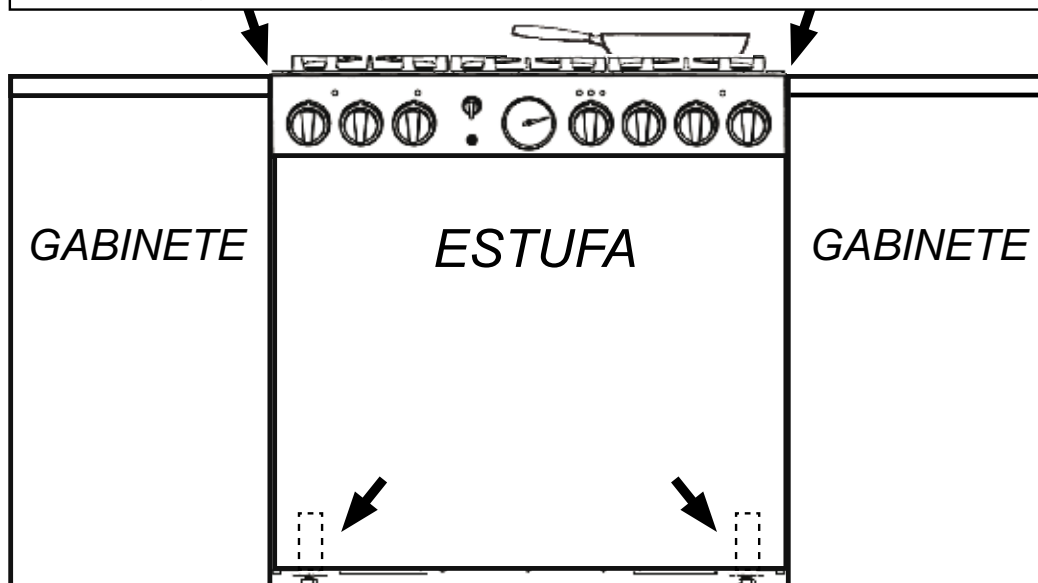
## Ajuste de inclinación de la plancha (algunos modelos)

Compruebe el ajuste de la plancha echando dos cucharas de agua sobre la parte trasera de la bandeja de la plancha. El agua debería bajar lentamente al colector de grasa. En caso contrario, ajuste los dos tornillos debajo de la parte trasera de la bandeja de la plancha. Comience con medio giro de los tornillos en sentido opuesto del reloj. Otros ajustes deben ser de un cuarto giro hasta que el agua fluya lentamente al colector de grasa.

**⚠ PRECAUCIÓN:** NO haga funcionar la estufa si los lados están más abajo que el gabinete adyacente. Las altas temperaturas podrían dañar el gabinete y la encimera.



**¡CORRECTO!** Las patas niveladoras deben ajustarse de manera que los lados de la estufa estén a una altura igual o superior a la del gabinete adyacente.



Se puede ajustar cada pata niveladora con una llave o dado de 3/8" en la parte superior de la pata, o con una llave ajustable en las caras de los lados de la pata.

Figura 12: Ajuste de la altura de la estufa

## Paso 10: Pruebas y ajustes de los quemadores

Instale cualquier componente suelto, tal como tapas de los quemadores y rejillas, que hayan sido retirados anteriormente. Asegúrese de asentar correctamente las tapas de los quemadores en sus bases. Antes de probar el funcionamiento del aparato, verifique que no haya fugas de gas en la línea de suministro y en la estufa, y que la unidad esté conectada a la fuente de alimentación. Abra la válvula de cierre de gas.

### Pruebe los quemadores superiores de la estufa

**Prueba del encendido del quemador.** Seleccione una perilla de quemador de la estufa. Presione hacia abajo y gire en contra de las manecillas del reloj hacia **HI** ("**fuego alto**"). El módulo de chispa/encendido producirá un sonido de chasquido. Una vez que el aire ha sido purgado de las líneas de alimentación, el quemador debe encenderse aproximadamente en cuatro (4) segundos.

**Prueba de la llama: Ajuste alto** Gire el quemador a **HI** ("**fuego alto**"). La Figure 13 muestra las características apropiadas de la llama.

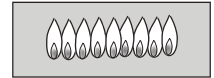
Si alguno de los quemadores superiores de la estufa continúa produciendo una llama casi o completamente amarilla, verifique que la tapa del quemador esté posicionada apropiadamente en la base del quemador, entonces vuelva a hacer la prueba. Si las características de la llama no mejoran, comuníquese con Thermador.

**Prueba de la llama: Ajuste bajo.** Gire el quemador al ajuste **SIM** ("**fuego lento**"). Verifique que la llama rodee completamente el quemador; a esto se le conoce como "envoltura del quemador". Debe haber una flama en cada puerto del quemador y no debe haber una apertura de aire entre la flama y el quemador. Si cualquiera de los quemadores no queda completamente "envuelto", llame a Thermador.

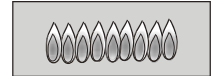
Los dos quemadores de la parrilla de estufa en el lado izquierdo cuentan con la característica **XLO**, que da lugar a un ciclo de encendido y apagado de la flama cuando la perilla está en la posición **XLO**; ésta operación es normal.

Repita estos procedimientos de prueba de encendido y llama para cada quemador superior de la estufa.

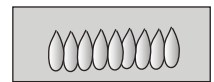
Flama amarilla:  
Se requiere más ajuste.



Puntas amarillas sobre conos:  
Normal para Gas LP.



Flama azul suave:  
Normal para Gas Natural.



Si la flama es casi o completamente amarilla, verifique que el regulador está establecido para el combustible correcto. Posterior al ajuste, vuelva a probar. Se pueden producir algunas rayas anaranjadas en el encendido inicial. Permita que la unidad trabaje durante 4-5 minutos y vuelva a evaluar antes de realizar ajustes.

Figura 13: Características de la llama

### Si la llama está ajustada correctamente:

- **Debe haber una llama en el puerto de cada quemador.**
- No debe haber un espacio de aire entre la llama y el quemador.

### Pruebe los quemadores del horno

**Quite la cubierta inferior del horno.** Quite los 4 tornillos laterales y los 2 tornillos traseros, luego deslice la cubierta, levantándola para despejar el deflector fijado en la base de la cubierta.

#### Nota:

El obturador de aire de los quemadores de horno viene de fábrica ajustado en posición totalmente abierta y no requiere más ajuste.

### Pruebe los quemadores de horneado

Ponga el horno en **BAKE** ("**hornear**") a 350 °F. Después de 30-75 segundos, el quemador se encenderá. El quemador permanecerá encendido hasta llegar a 350 °F, después de lo cual se apagará. A partir de ese momento, el quemador se encenderá y se apagará para mantener la temperatura.

### Pruebe los quemadores de asado

Encienda el horno en el modo **BROIL** ("**asar**"). El quemador se encenderá después de 30-75 segundos.

La plancha de cerámica infrarroja no tiene obturador de aire, por lo cual no necesita ningún ajuste.

**Vuelva a poner la cubierta inferior del horno.** Deslice la cubierta en su sitio y fijela de nuevo a la cavidad de la estufa.

Llame a Thermador si:

1. No se enciende cualquiera de los quemadores.
2. La llama del quemador del asador o del horneado se apaga antes de que el horno alcance la temperatura deseada.
3. Cualquiera de los quemadores continúan produciendo una llama amarilla.

## Lista de chequeo del instalador

### Lista de chequeo final

- Se observaron los espacios libres especificados a las superficies de los gabinetes.
- La unidad está nivelada —frente al fondo— lado a lado.
- La tapas de quemadores están colocadas correctamente sobre las bases del quemador.
- Se quitó todo el material de embalaje, incluido cualquier resto de espuma adhesiva de las superficies metálicas cepilladas.
- Se fijó la moldura tipo isla o el protector trasero. Se requiere instalar el protector trasero si el espacio libre horizontal a los materiales combustibles detrás de la estufa es inferior a 12”.
- Se revisó que la puerta cabe en la cavidad del horno. Reinstalar la puerta si es necesario (consulte el procedimiento para reinstalar la puerta en la parte inferior de la page 16).
- El panel delantero inferior está instalado y fijado con dos (2) tornillos.
- Se colocó correctamente la bandeja de la plancha, inclinada ligeramente hacia adelante. (Vea el procedimiento de ajuste en la page 17).
- **INSTALADOR:**  
Escriba el número del modelo y de la serie en el manual de uso y cuidado (pág. 37).  
Deje el manual de cuidado y uso y el instructivo de instalación con el propietario de la unidad.

## Suministro de gas

- Conexión: N.P.T. de 1/2" con una manguera flexible de diámetro mín. de 3/4; se sugiere una longitud de cuatro (4) pies, según los códigos municipales.
- El aparato está conectado solamente al tipo de gas para el cual está certificado.
- Se instaló la válvula de cierre manual de gas en un lugar accesible (sin tener que mover la estufa).
- Se comprobó la unidad y no tiene fugas de gas.
- La presión del suministro de gas no excede de 14" de columna de agua (34.9 mb).
- Si se usa con gas propano, verificar que el suministro de gas tenga su propio regulador de presión además del regulador de presión que se incluye con el aparato.

## Electricidad

- Existe un receptáculo con la protección correcta de sobretensión para conectar el cable de alimentación.
- Conexión correcta a tierra.
- Polaridad correcta del receptáculo.

## Operación

- Los marcos están centrados en las perillas de los quemadores y las perillas giran libremente.
- Cada quemador prende bien, tanto en forma individual como junto con otros quemadores operando.
- Las bisagras de la puerta del horno están enganchadas y las bisagras están fijadas en su posición. La puerta se abre y cierra correctamente.
- Las rejillas de los quemadores están posicionadas correctamente, niveladas sin moverse.

---

# Para limpiar y proteger las superficies exteriores

Se pueden limpiar las superficies de acero inoxidable con un trapo húmedo, jabonoso, enjuagar con agua limpia y secar con un trapo suave para evitar la formación de marcas de agua. Cualquier detergente suave para vidrio quitará huellas digitales y manchas.

Para decoloraciones o suciedades persistentes, consulte el manual de uso y cuidado.

Para sacar brillo y proteger el acero inoxidable, use un limpiador/cera tal como Stainless Steel Magic®.

NO permita que las suciedades permanezcan por tiempos largos.

NO use lana de acero ni cepillos metálicos. Se podrían pegar pedazos pequeños de metal a la superficie, causando que ésta se oxide.

NO permita el contacto prolongado de soluciones salinas, desinfectantes, blanqueadores o compuestos de detergentes con el acero inoxidable. Muchos de estos compuestos contienen químicos dañinos. Enjuague con agua después de cada exposición y seque con un trapo limpio.

Specifications are for planning purposes only. Refer to installation instructions and consult your countertop supplier prior to making counter opening. Consult with a heating and ventilating engineer for your specific ventilation requirements. For the most detailed information, refer to installation instructions accompanying product or write Thermador indicating model number.

We reserve the right to change specifications or design without notice. Some models are certified for use in Canada. Thermador is not responsible for products which are transported from the U.S. for use in Canada. Check with your local Canadian distributor or dealer.

---

Les spécifications ne sont fournies qu'à titre prévisionnel. Consultez les instructions d'installation et le fournisseur de votre plan de travail avant de le modifier. Consultez un entrepreneur en chauffage et en climatisation pour vos conditions spécifiques de ventilation. Pour une information plus détaillée, consultez les instructions d'installation jointes au produit ou écrivez à Thermador en indiquant le numéro du modèle.

Nous nous réservons le droit de modifier les caractéristiques ou le design sans préavis. Certains modèles sont approuvés pour le Canada. Thermador n'est pas responsable des produits transportés des États-Unis pour être utilisés au Canada. Veuillez vous renseigner auprès de votre distributeur ou détaillant canadien.

---

Las especificaciones son exclusivamente para propósitos de planeación. Consulte las instrucciones de instalación y a su proveedor de cubiertas antes de hacer los recortes en la cubierta. Consulte a un ingeniero de calefacción y ventilación para determinar sus requerimientos específicos de ventilación. Para la información más detallada, consulte las instrucciones de instalación que se incluyen con el producto o escriba a Thermador indicando el número de modelo.

Nos reservamos el derecho de modificar las especificaciones o el diseño sin previo aviso. Algunos modelos están certificados para ser usados en Canadá. Thermador no es responsable de productos que son transportados desde los Estados Unidos para ser utilizados en Canadá. Consulte a su distribuidor local en Canadá.

***Thermador***<sup>®</sup> | *An American Icon*<sup>™</sup>