

36" Masterpiece® Series Freedom® Induction Cooktop CIT36XKB



CIT36XKB Black

INNOVATION

- Largest fully usable cooking surface on the market.
- 48 induction elements deliver more than 63% usable cooking surface than the competition.
- Place up to 4 pots or pans anywhere on the cooktop surface in any configuration.
- Featuring the first full color touchscreen induction user interface on the market. This intuitive interface offers better control and faster access to cooking settings.
- Freedom to move. If you need to move your pot to another location, the cooktop will transfer all of your programmed settings to the new position of the pan.

PERFORMANCE

- Most powerful element in its class with a 4,600 W PowerBoost™ lets you boil water faster than with any other cooking technology.
- Speed Heating - Induction cooktops heat 50% faster than traditional gas cooktops
- Pan Recognition - Element will not turn on if other small objects are placed on the cooking zone
- Anti-Overflow System - exclusive feature prevents spills by automatically shutting off and sounding alarm when liquids are detected on surface
- Child safety Lock

DESIGN

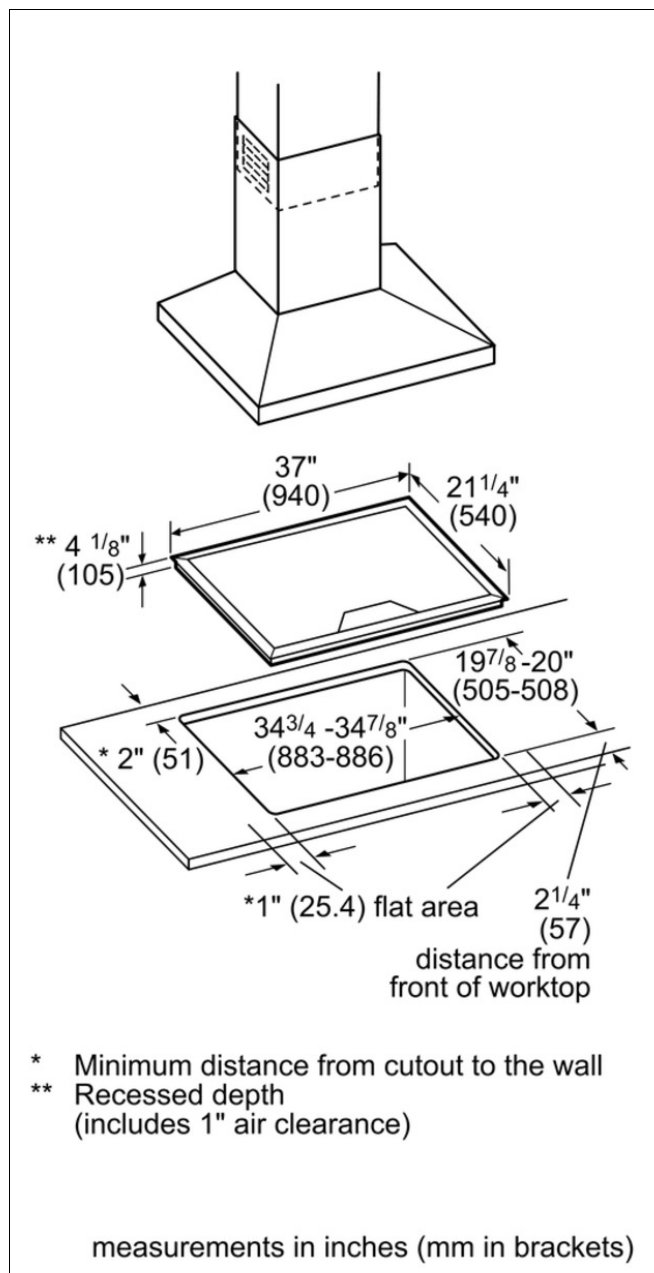
- Angular, modern design coordinates with the suite of Thermador Masterpiece™ Collection appliances
- Full stainless steel frame
- Grey-black glass color

Optional accessories

CHEFSPAN13 Chefspan Ø 13"
SENSORPOT6 Sensor pot Ø 6"
SENSORPOT7 Sensor pot Ø 7"
SENSORPOTH 6" Inch Skillet with Lid
TEPPAN1314 Teppan Yaki
TEPPAN1321 Teppan Yaki

825225801122

36" Masterpiece® Series Freedom® Induction Cooktop CIT36XKB



Product Features

Sealed Burners: No
 Burners with booster: All
 Dimension of 1st heating element (in): 21" X 13
 Power of 1st heating element (W): 3.6

Consumption and connection features

UPC code: 825225801122
 Variant color: Black
 Energy source: Electric
 Gas type:
 Alternative gas type:
 Watts (W): 7200
 Current (A): 40
 Volts (V): 208-240
 Frequency (Hz): 60; 50
 Approval certificates: CSA
 Power cord length (in):
 Power cord length (cm): 96.0
 Plug type: no plug
 Required cutout size (HxWxD) (in): 3 7/8" x 34 3/4" x 19 7/8"
 Required cutout size (HxWxD) (mm): 98 x 883-886 x 508-505
 Minimum distance from counter front (in): 2 1/2"
 Minimum distance from rear wall (in): 2 3/8"
 Overall appliance dimensions (HxWxD) (in): 3/8"+3 7/8" x 37" x 21 1/4"
 Overall appliance dimensions (HxWxD) (mm): 108.0 x 940 x 540
 Product packaging dimensions (HxWxD) (in): 7 1/16" x 42 1/8" x 26 3/4"
 Net weight (lbs): 69
 Net weight (kg): 31.000
 Gross weight (lbs): 80
 Gross weight (kg): 36.000
 Total number of cooktop burners: 4

2013-07-12