

CIT36XWB

36-INCH FREEDOM® INDUCTION COOKTOP

MASTERPIECE® SERIES, DARK GRAY WITH STAINLESS STEEL FRAME



ALSO AVAILABLE:

CIT36XWBB – Dark Gray, Frameless

FEATURES & BENEFITS

- ★ - Largest 36" fully usable cooking surface on the market within it's class
- ★ - 56 inductor elements combined with pot detection automatically recognizes the size, shape and position of your cookware on the cooktop
- ★ - Wi-Fi connectivity allows the cooktop and matching hood to communicate with one another to synchronize turning on task lighting and ventilation
- ★ - Sapphire Glow™ LED embedded surface lights along the sides of cooktop provide visual feedback when a pot is moved or whether a pot is heated or not
- ★ - TeppanyakiPro™ function divides a teppanyaki griddle into one heated and one non-heated area

GENERAL PROPERTIES

| | |
|-------------------------------|---------------------------------|
| Home Connect™ (Wi-Fi Enabled) | Yes |
| Controls | Full Color Touch Screen Display |

ELEMENT PERFORMANCE

| | |
|--|---------|
| Power of Full Surface Heating Element | 3,500 W |
| Power of Full Surface Heating Element (In Boost) | 5,500 W |
| Burners With Booster | All |

COOKWARE SIZE (UP TO 6 POTS HEATED)

| | |
|------------------------|-----------------|
| Minimum Cookware Size* | 3 1/2" x 3 1/2" |
| Maximum Cookware Size* | 13" x 21" |

TECHNICAL DETAILS

| | |
|---------------------|---------------------|
| Watts (W) | 7,200 W |
| Circuit Breaker (A) | 30 A |
| Volts (V) | 208 / 240 V |
| Frequency (Hz) | 50 / 60 Hz |
| Plug Type | No Plug |
| Conduit | 39" Flexible 3-Wire |
| Energy Source | Electric |

DIMENSIONS & WEIGHT

| | |
|---|----------------------------|
| Overall Appliance Dimensions (HxWxD) (in) | 4 1/8" x 37" x 21 1/4" |
| Required Cutout Size (HxWxD) (in) | 4 1/8" x 34 3/4" x 19 7/8" |
| Minimum Distance From Counter Front (in) | 2 1/2" |
| Minimum Distance From Rear Wall (in) | 2" |
| Net Weight (lbs) | 54 lbs |

WARRANTY

| | |
|---|--------|
| Limited Warranty, Entire Appliance, Parts and Labor | 2 Year |
|---|--------|

*Cookware must have a flat bottom in order to utilize the full surface. Only use ferromagnetic cookware for induction cooking.

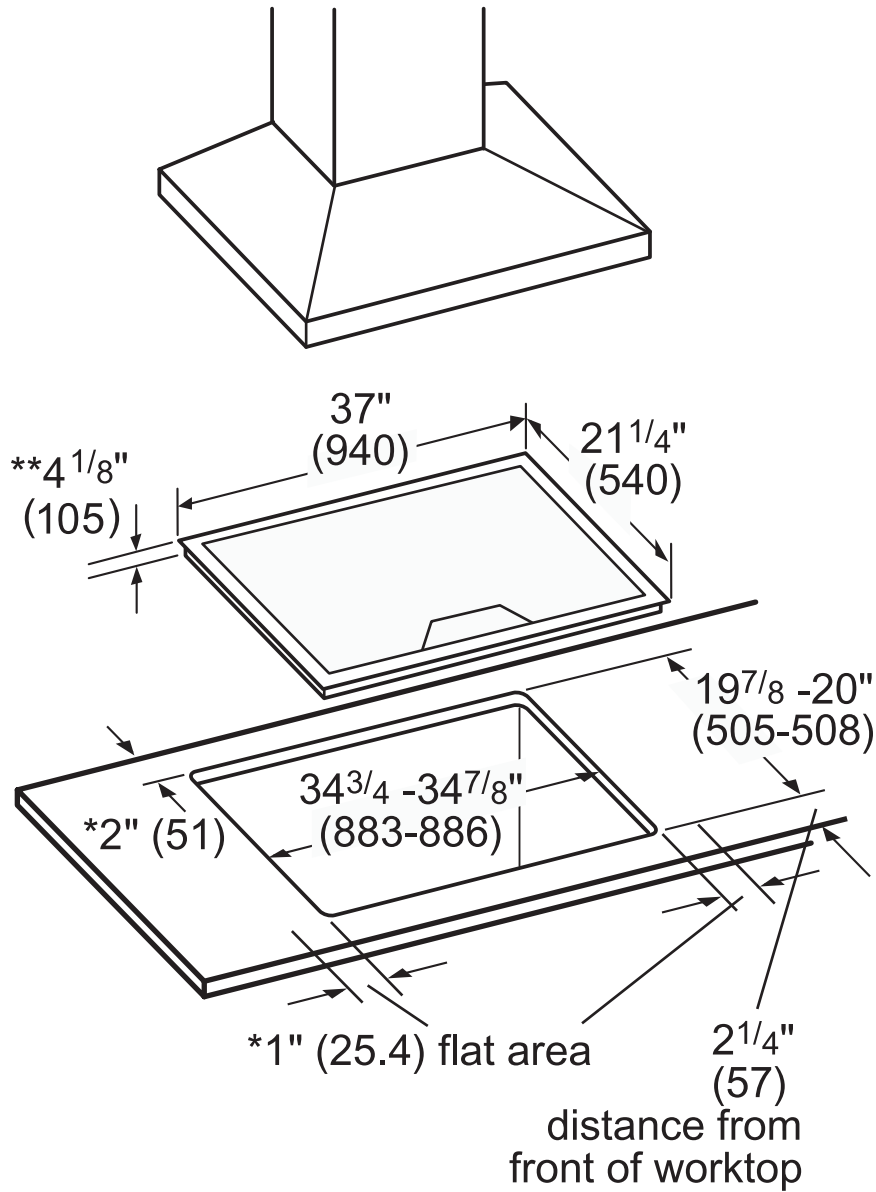
ACCESSORIES (OPTIONAL)



CIT36XWB
36-INCH FREEDOM® INDUCTION COOKTOP
 MASTERPIECE® SERIES, DARK GRAY WITH STAINLESS STEEL FRAME



36-INCH COOKTOP AND CUTOUT DIMENSIONS



- * Minimum distance from cutout to the wall
- ** Recessed depth (includes 1" air clearance)

Measurements in inches (mm in brackets)

NOTE: The work surface should be horizontal and level. The stability of the countertop should be confirmed even after making the cutout.

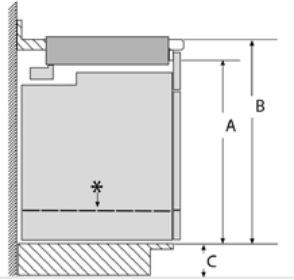
CIT36XWB

36-INCH FREEDOM® INDUCTION COOKTOP

MASTERPIECE® SERIES, DARK GRAY WITH STAINLESS STEEL FRAME



INSTALLATION ABOVE A THERMADOR WALL OVEN



| Product Type | A Inches (mm) | B min. Inches (mm) | C max. Inches (mm) |
|---|------------------|-----------------------|-----------------------|
| Conventional Oven | 28 1/4 (718) | 31 1/4 (794) min. | 4 3/4 (121) |
| Steam Oven | 25 1/16 (636) | 28 1/16 (713) | 7 15/16 (202) |
| Steam Oven with 4" Storage Drawer* | 28 1/4 (718) | 31 1/4 (794) min. | 4 3/4 (121) |
| Microwave / Speed Oven | 19 1/4 (488) | 24 (609) min. | 12" (306) |
| Microwave / Speed Oven with Warming drawer* | 28 1/4 (718) | 31 1/4 (794) min. | 4 3/4 (121) |

When installing an oven or oven with a drawer in combination with a cooktop, a minimum distance between the cabinet floor and countertop (B) is required. Reference the table for dimensions. Refer to the oven installation guide for all other measurements.

These warranties give you specific legal rights and you may have other rights that vary from state to state. Full warranty and limited warranty from date of installation. For complete warranty details, refer to your Use & Care manual, or ask your dealer.

Specifications are for planning purposes only. Refer to installation instructions and consult your countertop supplier prior to making counter opening. Consult with a heating and ventilation engineer for your specific ventilation requirements. For the most detailed information, refer to installation instructions accompanying product or write to Thermador indicating the model number. Specifications are correct at time of printing. Thermador reserves the right to change product specifications or design without notice. Some models are certified for use in Canada. Thermador is not responsible for products that are transported from the U.S. for use in Canada.