

# BICM24CS 24-INCH BUILT-IN COFFEE MACHINE

MASTERPIECE® & PROFESSIONAL SERIES

**Thermador**   
REAL INNOVATIONS FOR REAL COOKS®



## FEATURES & BENEFITS

- Freshly brewed coffee and espresso at the push of a button
- Fully automatic and programmable
- 6 cup size and levels of coffee strength (grind quantity)– smooth to super strong
- 3 coffee temperature settings
- SavorSwirl® system for maximum flavor extraction

## GENERAL PROPERTIES

Modes	Espresso, Coffee, Water, Steam, Clean, Descaling
Settings	One or Two Cups, Cup Size (6), Coffee Strength (Grind Adjustment) Smooth to Super Strong
Programming	Brewing Temperatures (3), Coffee Powder Quantity Per Cup, Grinding Factor, Water Hardness, Water Quantity Per Serving, Stand-by Function, Rinse at Turn-on and Turn-off
Coffee Sizes	12 Sizes
Coffee Strength Adjustment	6 Levels
Multilingual LCD Display	Yes
Steam / Frothing Wand	Yes
Height-Adjustable Dispenser	Yes
Dual Spouts	Yes
Built-in Water Filter	Yes

## TECHNICAL DETAILS

Watts (W)	1,300 W
Circuit Breaker (A)	15 A
Current (A)	10 A
Volts (V)	120 V
Frequency (Hz)	60 Hz
Plug Type	NEMA 5-15R, 2-Pole 3-Wire Grounding
Power Cord Length (in)	40"
Energy Source	Electric
Pump Pressure (Bar)	215 psi (15 bar)
Capacity Water Container (L)	1.80 L

## DIMENSIONS & WEIGHT

Overall Appliance Dimensions (HxWxD) (in)	18 1/16" x 23 3/16" x 20 15/16"
Required Gap Between Wall and Base of the Unit or the Rear Panel (in)	1 3/4"
Net Weight (lbs)	74 lbs

## ACCESSORIES (INCLUDED)

Measuring Spoon, Water Filter, 2 Cleaning Tablets

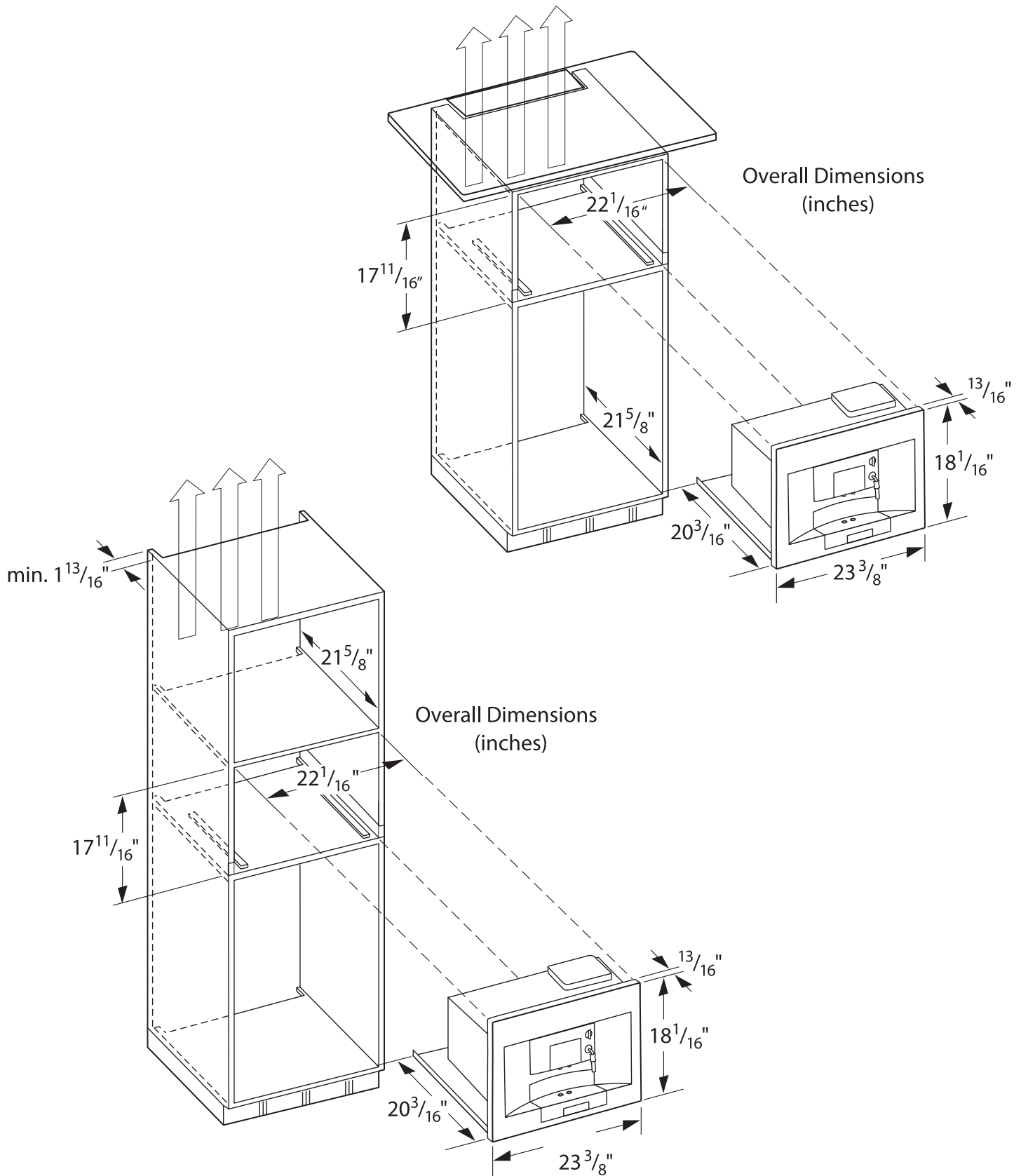
## WARRANTY

Limited Warranty, Entire Appliance, Parts and Labor	2 Year
---	--------

**BICM24CS**  
**24-INCH BUILT-IN COFFEE MACHINE**  
 MASTERPIECE® & PROFESSIONAL SERIES



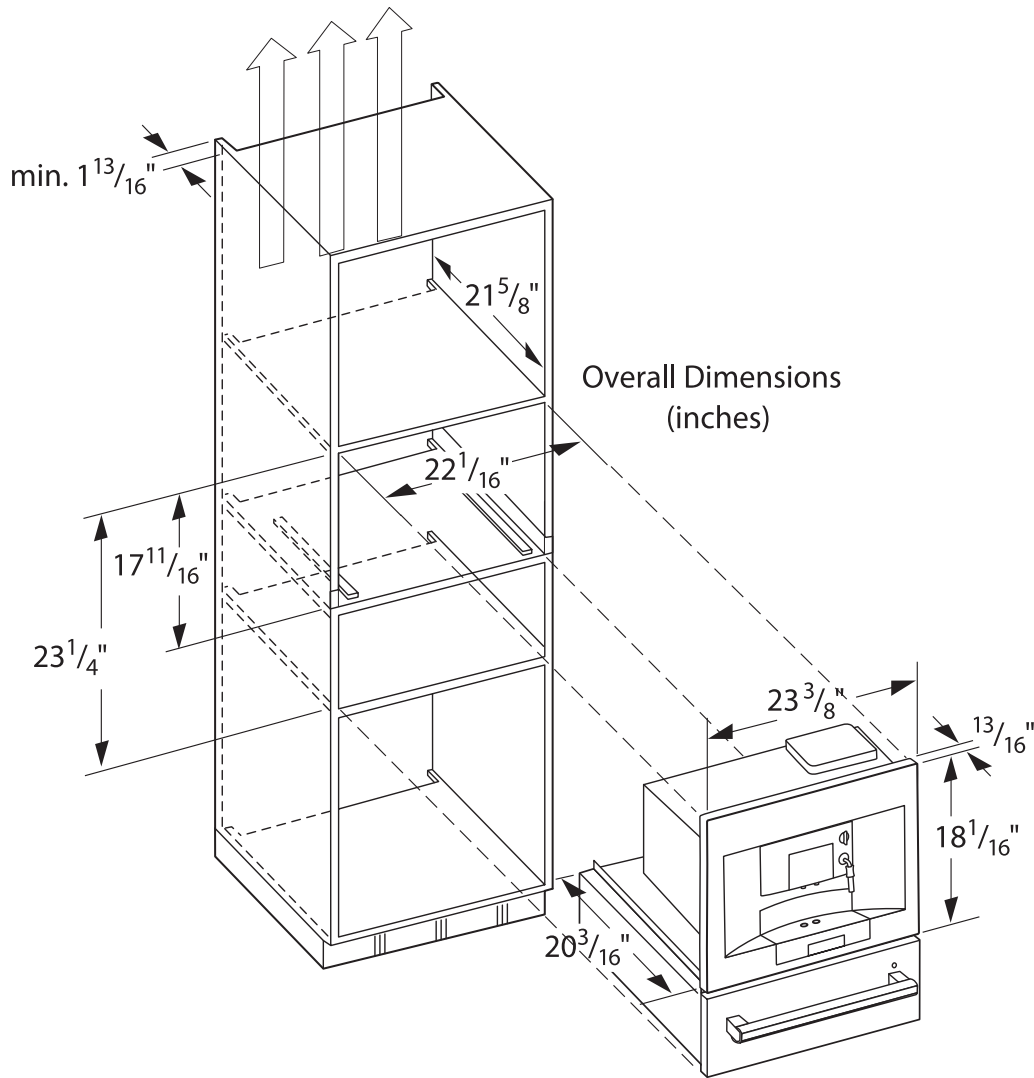
**COFFEE MACHINE & CUTOUT DIMENSIONS**



**BICM24CS**  
**24-INCH BUILT-IN COFFEE MACHINE**  
 MASTERPIECE® & PROFESSIONAL SERIES



**COFFEE MACHINE & CUTOUT DIMENSIONS**



These warranties give you specific legal rights and you may have other rights that vary from state to state. Full warranty and limited warranty from date of installation. For complete warranty details, refer to your Use & Care manual, or ask your dealer.

Specifications are for planning purposes only. Refer to installation instructions and consult your countertop supplier prior to making counter opening. Consult with a heating and ventilation engineer for your specific ventilation requirements. For the most detailed information, refer to installation instructions accompanying product or write to Thermador indicating the model number. Specifications are correct at time of printing. Thermador reserves the right to change product specifications or design without notice. Some models are certified for use in Canada. Thermador is not responsible for products that are transported from the U.S. for use in Canada.