

PODMW301J 30-INCH TRIPLE COMBINATION BUILT-IN OVEN

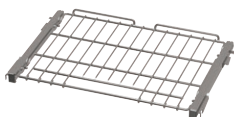
PROFESSIONAL SERIES



FEATURES & BENEFITS

- ★ - SoftClose® door ensures ultra smooth closing of the oven door
- ★ - Largest commercial style rotisserie with 12 pound capacity
- ★ - Maxbroil, the largest, most powerful broil element on the market
 - 2 Full Access® telescopic racks
 - No preheat Speed Convection mode

ACCESSORIES (OPTIONAL)



TLSCPCK30
30-Inch Oven Telescopic Rack

* Valid for wall oven and warming drawer

★ THERMADOR EXCLUSIVE

GENERAL PROPERTIES

| | |
|--|--|
| Modes – Upper Cavity | See MCES for Microwave Features |
| Modes – Lower Cavity | (14) Bake, Roast, True Convection, Convection Roast, No Preheat Speed Convection, Warm, Dehydrate, Rotisserie, Maxbroil®, Max Convection Broil, Cook Control™ Probe, Self Clean, Sabbath, Fast Preheat |
| Warming Drawer | See WD30JP for all Warming Drawer Details |
| Cleaning Type – Lower Cavity | Self Clean |
| Telescopic Rack(s) | 2 |
| Illumination Type – Upper & Lower Cavity | Halogen with SoftLight Function |
| Interior Lights – Upper & Lower Cavity | 1 / 4 |

OVEN PERFORMANCE

| | |
|--|-----------------|
| Microwave Power | 1,000 W |
| Bake / Broil Element Wattages – Lower Cavity | 2,000 / 5,000 W |
| Convection Element Wattages – Lower Cavity | 2,000 W |
| Warming Drawer Wattage | 450 W |

TECHNICAL DETAILS

| | |
|---------------------------|---------------------------|
| Watts (W) | 10,500 W |
| Circuit Breaker (A) | 50 A |
| Volts (V); Frequency (Hz) | 240 / 208 V; 60 Hz |
| Plug Type | Fixed Connection, No Plug |
| Conduit | 66" Flexible 4-Wire |
| Energy Source | Electric |

DIMENSIONS & WEIGHT

| | |
|---|-----------------------------|
| Overall Appliance Dimensions (HxWxD) (in) | 61 3/8" x 29 3/4" x 23 7/8" |
| Required Cutout Size (HxWxD) (in) | 60 3/4" x 28 1/2" x 24" |
| Microwave Cavity Size (cu. ft.) | 1.5 cu. ft. |
| Oven Cavity Size – Upper / Lower Cavity (cu. ft.) | 4.7 cu. ft. |
| Warming Drawer Cavity Size (cu. ft.) | 2.6 cu. ft. |
| Overall Oven Interior Dimensions (HxWxD) (in) | 17 7/8" x 25" x 17 7/8" |
| Usable Oven Interior Dimensions (HxWxD) (in) | 12 3/4" x 22 3/4" x 17 1/4" |
| Net Weight (lbs) | 324 lbs |

ACCESSORIES (INCLUDED)

Upper Cavity: 1 Oven Rack, 1 Ceramic Glass Tray, 1 Roller Ring Lower Cavity: 2 Telescopic and 1 Standard Oven Rack, Temperature Probe, Broiler Pan, Rotisserie

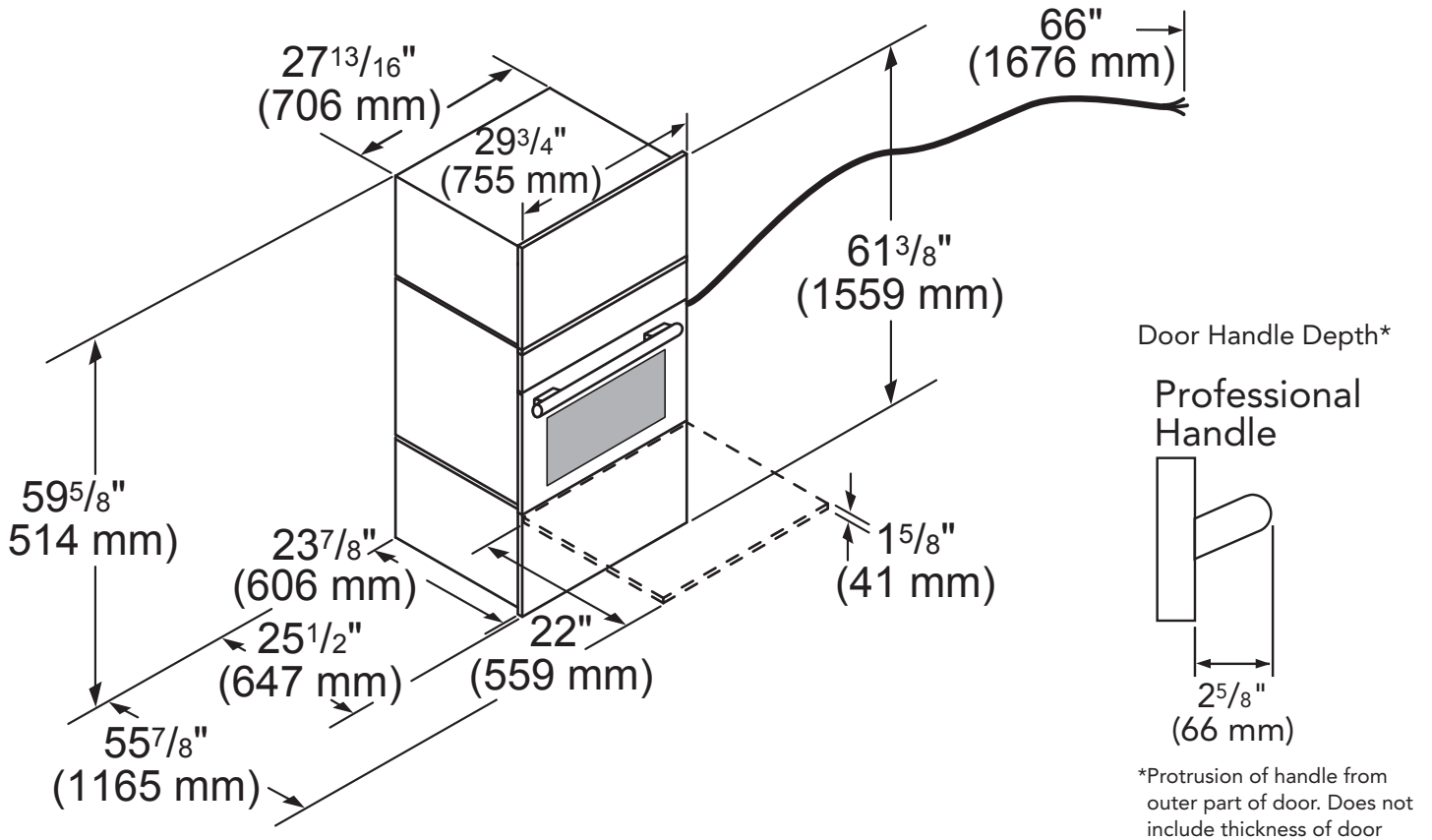
WARRANTY

| | |
|----------------------------------|--------|
| Limited Warranty Parts and Labor | 2 Year |
|----------------------------------|--------|

PODMW301J
30-INCH TRIPLE COMBINATION BUILT-IN OVEN
 PROFESSIONAL SERIES



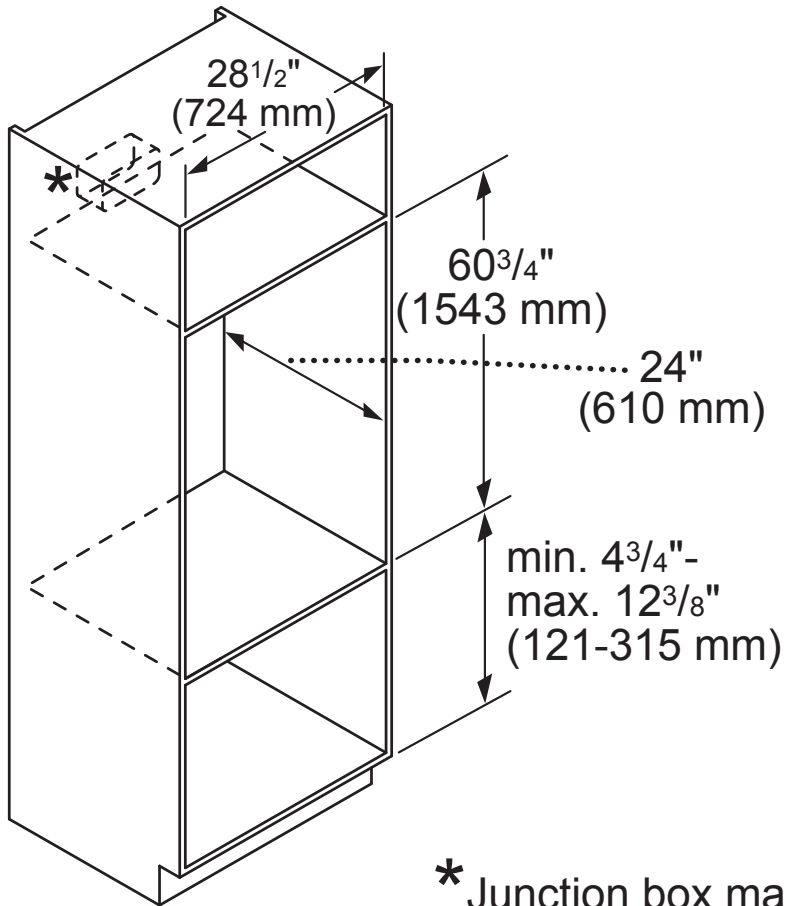
30-INCH TRIPLE COMBINATION OVEN WITH MICROWAVE AND WARMING DRAWER



PODMW301J
30-INCH TRIPLE COMBINATION BUILT-IN OVEN
PROFESSIONAL SERIES



30-INCH TRIPLE COMBINATION OVEN WITH MICROWAVE AND WARMING DRAWER



* Junction box may be installed above, or to the right of the unit within range of the power cable.

These warranties give you specific legal rights and you may have other rights that vary from state to state. Full warranty and limited warranty from date of installation. For complete warranty details, refer to your Use & Care manual, or ask your dealer.

Specifications are for planning purposes only. Refer to installation instructions and consult your countertop supplier prior to making counter opening. Consult with a heating and ventilation engineer for your specific ventilation requirements. For the most detailed information, refer to installation instructions accompanying product or write to Thermador indicating the model number. Specifications are correct at time of printing. Thermador reserves the right to change product specifications or design without notice. Some models are certified for use in Canada. Thermador is not responsible for products that are transported from the U.S. for use in Canada.