

# *Installation* **GUIDE**

WD30WC WD30W SD30WC SDS30WC

Masterpiece® and Professional Series  
Warming Drawer and Storage Drawer



# Table of CONTENTS

<b>▲ Safety Definitions</b> .....	<b>3</b>
<b>IMPORTANT SAFETY INSTRUCTIONS</b> .....	<b>4</b>
Appliance Handling Safety .....	4
Safety Codes and Standards .....	4
Electric Safety .....	4
Related Equipment Safety .....	5
State of California Proposition 65 Warnings: .....	5
<b>Before you Begin</b> .....	<b>6</b>
Tools and Parts Needed .....	6
Parts Included .....	6
Power Requirements and Grounding .....	6
<b>Prepare Installation Space</b> .....	<b>6</b>
Cabinet and Cutout Information .....	6
Unit Dimensions SDS30WC .....	6
Unit and Cabinet Dimensions WD30W / WD30WC / SD30WC .....	6
<b>Installation Procedure WD30WC, SD30WC</b> .....	<b>7</b>
Removing Drawer from Housing .....	8
Installing Drawer to Housing .....	8
Parts Included .....	10
Installing with Microwave .....	10
<b>Installation Procedure SDS30WC</b> .....	<b>12</b>
Removing Drawer from Housing .....	13
Preparing the Storage Drawer for Installation .....	13
Remove Shipping Brackets .....	14
Install Steam Oven on Top of Storage Drawer .....	15
Installing Drawer to Housing .....	15
<b>Installation Procedure WD30W</b> .....	<b>17</b>
Preparing the Custom Panel for Installation .....	17
Attaching the Custom Panel .....	18
Installation Final Check List .....	19
<b>Service</b> .....	<b>20</b>
Data Plate .....	20
Rating Label-WD30W AND WD30WC .....	20
Model Number and FD Number .....	20
<b>THERMADOR® Support</b> .....	<b>21</b>
Service .....	21
Parts and Accessories .....	21

*This THERMADOR Appliance is made by*  
 BSH Home Appliances Corporation  
 1901 Main Street, Suite 600  
 Irvine, CA 92614

---

*Questions?*  
 1-800-735-4328  
 www.thermador.com  
*We look forward to hearing from you!*

---

## Safety Definitions

---

### WARNING

---

This indicates that death or serious injuries may occur as a result of non-observance of this warning.

---

---

### CAUTION

---

This indicates that minor or moderate injuries may occur as a result of non-observance of this warning.

---

**NOTICE:** This indicates that damage to the appliance or property may occur as a result of non-compliance with this advisory.

**Note:** This alerts you to important information and/or tips.

# **IMPORTANT SAFETY INSTRUCTIONS**

## READ AND SAVE THESE INSTRUCTIONS

**IMPORTANT:** SAVE THESE INSTRUCTIONS FOR THE LOCAL ELECTRICAL INSPECTOR'S USE.

**INSTALLER:** LEAVE THESE INSTRUCTIONS WITH THE UNIT FOR THE OWNER.

**OWNER:** PLEASE RETAIN THESE INSTRUCTIONS FOR FUTURE REFERENCE.

---

### **WARNING**

---

When properly cared for, your new appliance has been designed to be safe and reliable. Read all instructions carefully before use. These precautions will reduce the risk of burns, electric shock, fire and injury to persons. When using kitchen appliances, basic safety precautions must be followed including those in the following pages.

---

### **WARNING**

---

Do not repair, replace or remove any part of the appliance unless specifically recommended in the manuals. Improper installation, service or maintenance can cause injury or property damage. Refer to this manual for guidance. All other servicing should be done by an authorized servicer.

## **Appliance Handling Safety**

Hidden surfaces may have sharp edges. Use caution when reaching behind or under appliance.

Close supervision is necessary when any appliance is used by or near children.

Do not touch hot surfaces. Use handles or knobs.

The use of accessory attachments not recommended by the appliance manufacturer may cause injuries.

Do not use outdoors.

Do not place on or near a hot gas or electric burner or in a heated oven.

Do not use appliance for other than intended use.

Extreme caution must be used when moving an appliance containing hot oil or other hot liquids.

To reduce the risk of fire, do not locate any heating or cooking appliance beneath the appliance.

To reduce the risk of fire, do not mount unit over or near any portion of a heating or cooking appliance.

To reduce the risk of electric shock, do not mount over a sink.

To reduce the risk of fire, do not store anything directly on top of the appliance surface when the appliance is in operation.

To reduce the risk of fire, do not store anything in the warming drawer (such as groceries, bags, etc.) which could cause fire if the drawer is turned on.

## **Safety Codes and Standards**

This appliance complies with the latest version of one or more of the following standards:

- UL 1026 - Electric Household Cooking and Food Serving Appliances
- CSA-C22.2 No. 64 - Household Cooking and Liquid-Heating Appliances

It is the responsibility of the owner and the installer to determine if additional requirements and/or standards apply to specific installations.

## **Electric Safety**

---

### **WARNING**

---

Before you plug in an electrical cord or turn on power supply, make sure all controls are in the OFF position.

Do not let cord hang over edge of table or counter or touch hot surfaces.

Always attach plug to appliance first, then plug cord into wall outlet. To disconnect, turn any control to "off", then remove plug from wall outlet.

Do not operate any appliance with a damaged cord or plug or after the appliance malfunctions or has been damaged in any manner. It is unsafe to operate any appliance with a damaged power cord or plug. If the appliance has been damaged or malfunctions, safely disconnect the appliance from the power supply, then immediately contact a qualified appliance technician to inspect the product.

To protect against electrical shock, do not immerse cord, plugs or other electrical parts in water or other liquid.

For appliances equipped with a cord and plug, do not cut or remove the ground prong. It must be plugged in to a matching grounding type receptacle to avoid electrical shock. If there is any doubt as to whether the wall receptacle is properly grounded, the customer should have it checked by a qualified electrician. DO NOT use an adaptor or extension cord.

# **IMPORTANT SAFETY INSTRUCTIONS**

## READ AND SAVE THESE INSTRUCTIONS

If required by the National Electrical Code (or Canadian Electrical Code), this appliance must be installed on a separate branch circuit.

Installer-show the owner the location of the circuit breaker or fuse. Mark it for easy reference.

---

### **WARNING**

---

Before installing, turn power OFF at the service panel. Lock service panel to prevent power from being turned ON accidentally.

Refer to data plate for more information. See “*Data Plate*” under **Service** for data plate location.

Be sure your appliance is properly installed and grounded by a qualified technician. Installation, electrical connections and grounding must comply with all applicable codes.

### **Related Equipment Safety**

Remove all tape and packaging before using the appliance. Discard or recycle packaging materials according to local codes after unpacking the appliance.

Never modify or alter the construction of the appliance. For example, do not remove panels or covers.

---

### **CAUTION**

---

For units with glass panels, use care when handling glass to avoid breaking. Broken glass could cause a laceration type injury.

---

### **CAUTION**

---

It is recommended to have two (2) installers to install the unit assembly. Failure to do so may result in property damage or personal injury.

**IMPORTANT SAFETY NOTICE:** The California Safe Drinking and Toxic Enforcement Act requires the Governor of California to publish a list of substances known to the state to cause cancer, birth defects or other reproductive harm, and requires businesses to warn customers of potential exposure to such substances.

**Save these instructions.**

## **State of California Proposition 65 Warnings:**

---

### **WARNING**

---

This product can expose you to chemicals including vinyl chloride, which is known to the State of California to cause cancer and birth defects or other reproductive harm. For more information go to [www.P65Warnings.ca.gov](http://www.P65Warnings.ca.gov).

---

# Before you Begin

## Tools and Parts Needed

- T-20 star head screwdriver
- Measuring tape
- Drill with bit (1/8")

## Parts Included

T-20 star head screws, #8 x 1/2" (6)

## Power Requirements and Grounding

Circuit Specifications: 120V, 15A, 60Hz

The outlet must be properly grounded in accordance with all applicable codes.

It is the responsibility of the installer to comply with local codes. If no local codes are applicable, wire in accordance with the National Electric Code, ANSI/NFPA 70-latest edition.

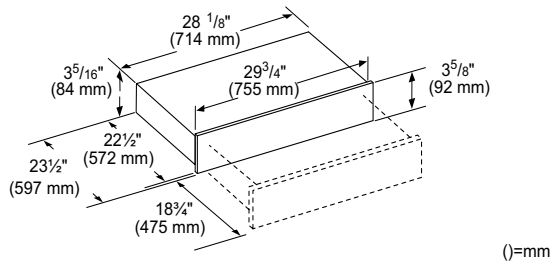
# Prepare Installation Space

## Cabinet and Cutout Information

Instructions are based on standard (in the U.S.A.) cabinets 36" (914 mm) high and 24" (609 mm) deep with a 25" (635 mm) countertop. If using non-standard cabinets, alter dimensions accordingly.

## Unit Dimensions SDS30WC

Maximum weight capacity for the storage drawer is 40 pounds (18 kg).

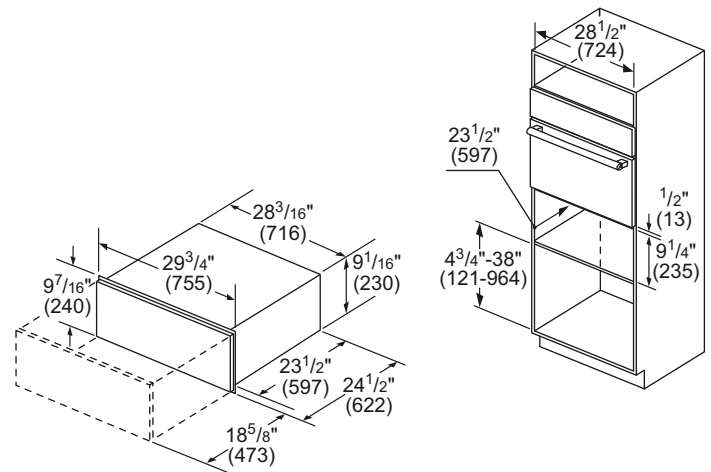


( )=mm

## Unit and Cabinet Dimensions WD30W / WD30WC / SD30WC

**Note:** Power cord for the warming drawer units is 84" (2134mm) long.

Cabinet opening bottom must be able to support 110 pounds (50 kg).

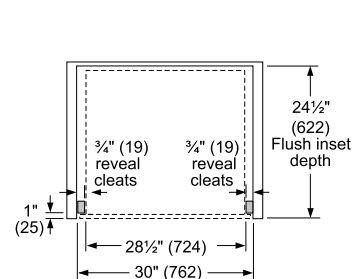


Measurements in inches (mm)

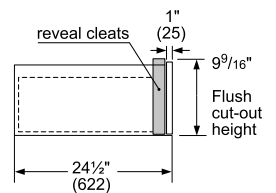
**Note:** The dimensional drawing is for reference only. Refer to the installation guide included in the steam oven for unit and cabinet dimensions.

## Flush Installation

Top view



Side view



measurements in inches (mm)

## Wall Mounted Installation

Thermador® warming drawers may be installed below any Thermador® single or double built-in oven. A minimum space of 1" (25.4mm) is recommended between the bottom of the oven and the top of the warming drawer.

## Under Counter Installation

Thermador® warming drawers may also be installed below any Thermador® electric or non-Professional Series gas cooktop as long as there is not contact between the bottom of the cooktop and the top of the warming drawer. When installing below a Thermador® induction cooktop, a minimum 1" (25.4mm) air gap must be maintained between the bottom of the cooktop and the top of the warming drawer.

When installing below a Thermador Professional® rangetop, a minimum 2 3/4" (70mm) air gap must be maintained between the bottom of the rangetop and the top of the warming drawer.

# Installation Procedure WD30WC, SD30WC

The electrical outlet can be installed in the back wall directly behind the warming drawer. A recessed power receptacle must not exceed 5 1/2 ft. (1.7m) maximum distance from either side of the warming drawer cutout. Installation clearances permit for the excess power cord to be coiled behind the appliance.

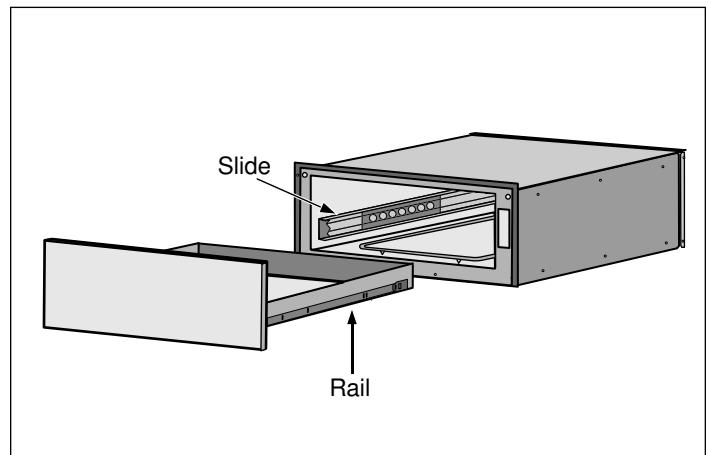
DO NOT install this warming drawer in wet locations or outdoors.

### ▲ WARNING

Do not repair, replace or remove any part of the appliance unless specifically recommended in the manuals. Improper installation, service or maintenance can cause injury or property damage. Refer to this manual for guidance. All other servicing should be done by an authorized servicer.

**NOTICE:** This unit utilizes a special ball bearing slide and locking feature called "Push to Open" (PTO). This feature allows for a design without a handle and a flush installation option.

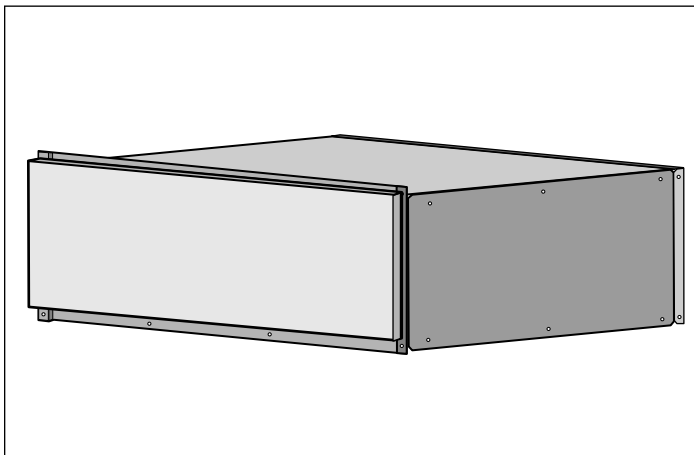
There are two PTO slide assemblies installed in this unit, one on each side. A **slide** is mounted to each side of the housing and corresponding **rails** are mounted to each side of the drawer. (Only one side is shown in picture for clarity).



During installation or service (cleaning) it may be desired or recommended to remove the drawer from the unit to simplify or aid in installation or service. Special care and specific steps are recommended to ensure no damage is done to the PTO mechanism.

### ▲ CAUTION

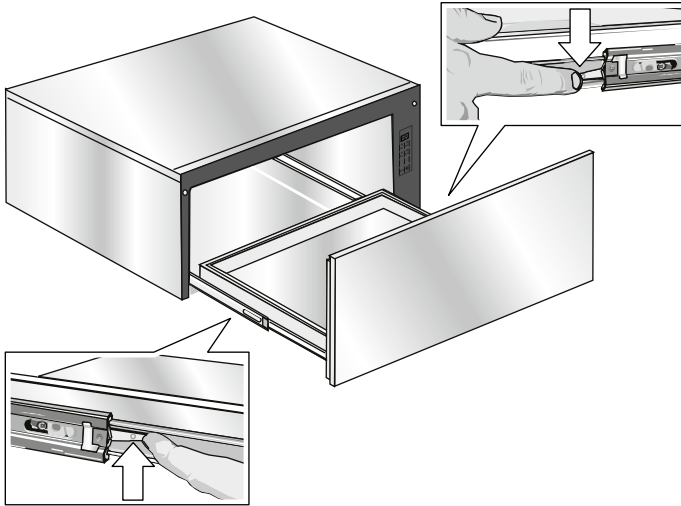
Before installing, turn power OFF at the service panel. Lock service panel to prevent power from being turned ON accidentally.



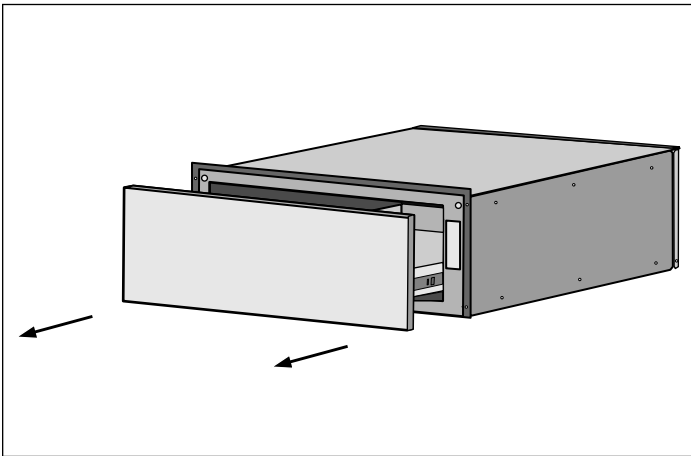
## Removing Drawer from Housing

**NOTICE:** The following is the manufacturer's recommendations for removing and installing the drawer to minimize the risk of damage to the PTO mechanism.

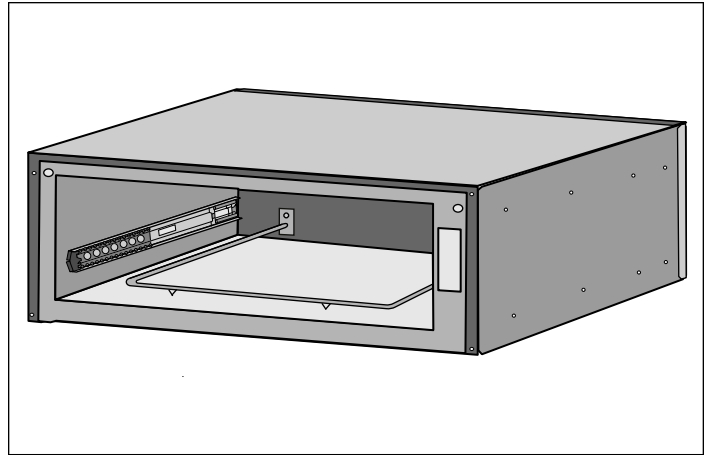
1. Remove the drawer from the drawer housing.
  - Ensure drawer is at full open position.
  - Press down right drawer release lever.
  - Lift up left drawer release lever.
  - Firmly pull the drawer straight out.
  - Retract cabinet rails while drawer is removed.



2. Grasp both sides of the drawer and pulling straight and level, carefully remove the drawer housing. This step may require light to moderate force to completely remove drawer.



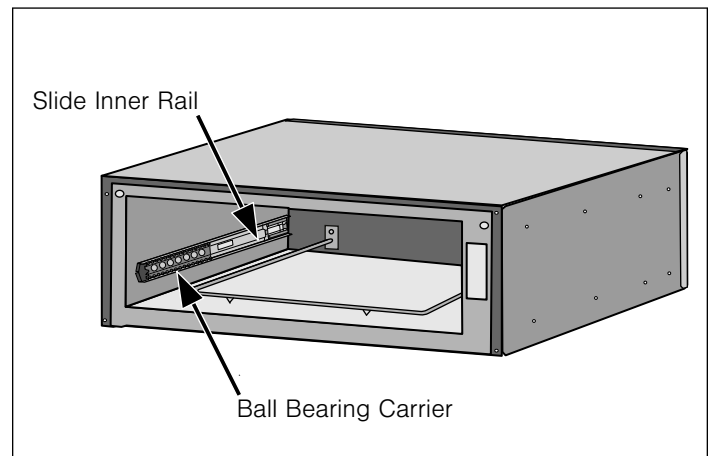
3. Install or service (clean) housing with drawer removed.



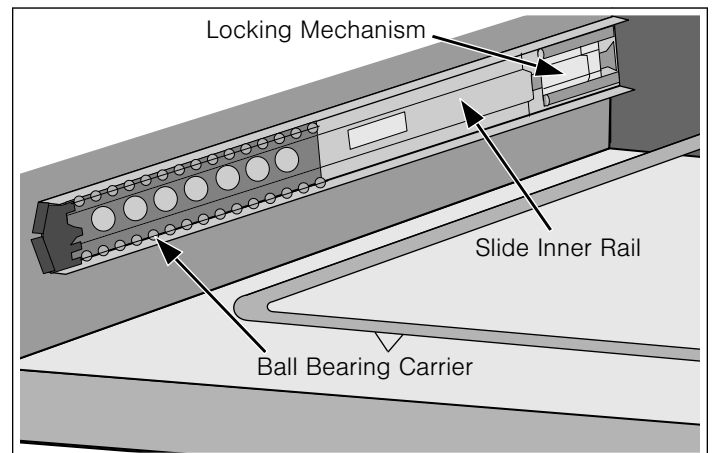
## Installing Drawer to Housing

The slides mounted to each side of the housing wall have two moving components, an inner rail and a ball bearing carrier which need to be in the proper orientation for accurate installation and alignment.

There is also a visible locking mechanism located at the rear of each slide.

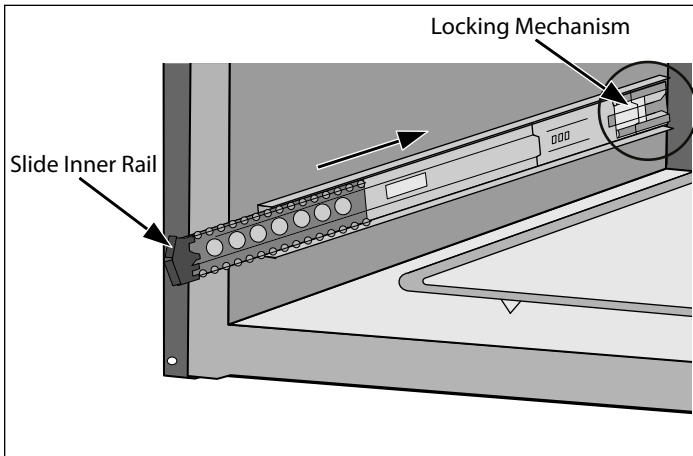


**Note:** The housing of your warming drawer should match the image below identically before starting your installation. The ball bearing carrier should be locked in to the inner rail's black plastic rail tip at the front of the inner rail.

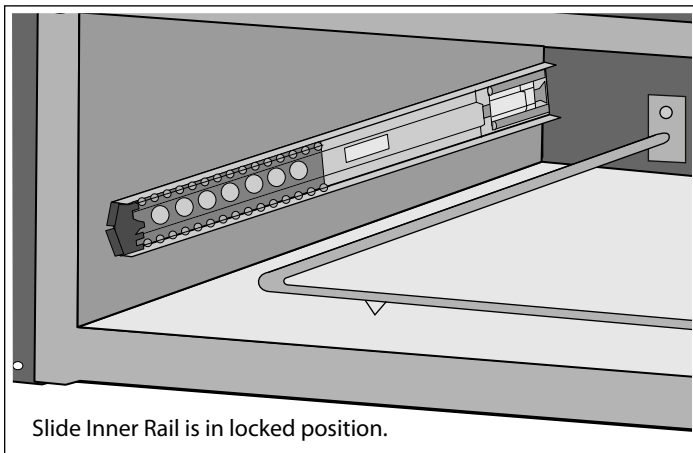




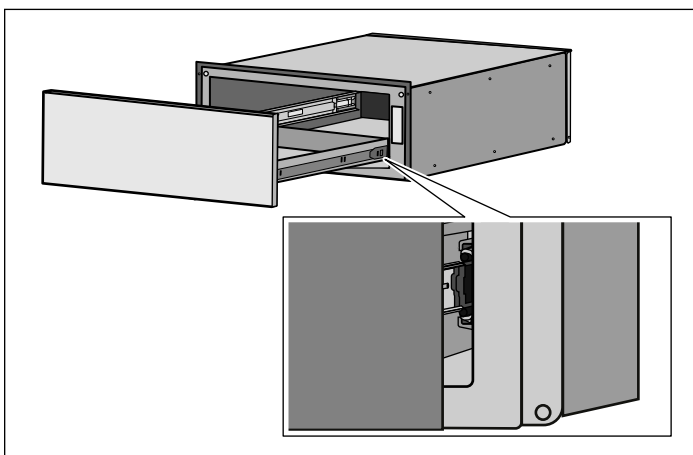
1. With the drawer removed, set the slide inner rail to the drawer locked position by pushing the slide inner rail **toward** the rear of the housing until it locks in place.



**Note:** A moderate force pushing on the black plastic ball carrier locking mechanism is required to set the slide to the drawer locked position. The drawer is locked when it remains in place and does not spring back to the open position.

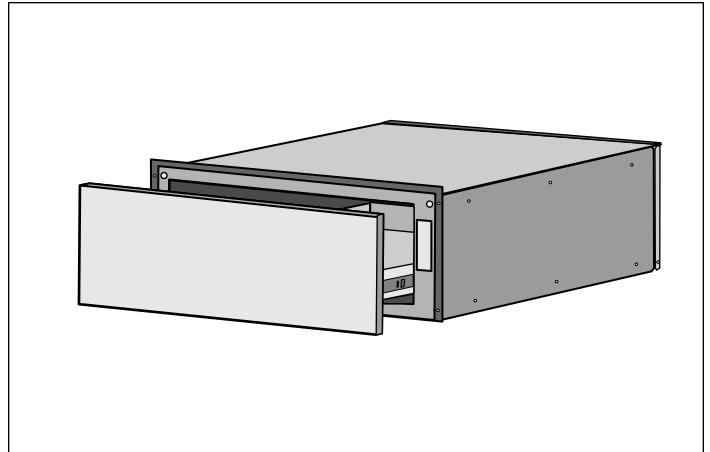


2. Position the drawer assembly in front of the housing assembly and align the rail (plastic rail tip) to the slide ball carrier assembly. Keeping the drawer assembly level and square to the housing, gently insert the drawer to the housing assembly.



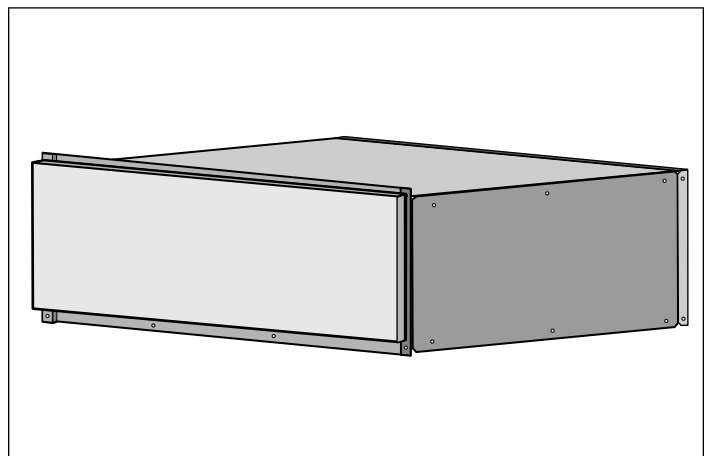
### Notes

- A slight side-to-side wiggle motion may be required to properly get the ball bearings to accurately align.
  - **Remember:** You are attempting to align two sets of ball bearings at this point. If more than a moderate force is required to insert the drawer at this time, remove the drawer and repeat the installation procedure to this point.
3. Continue to insert the drawer keeping the drawer level and square to the housing until a slight increase in resistance is felt at the approximate position shown below.

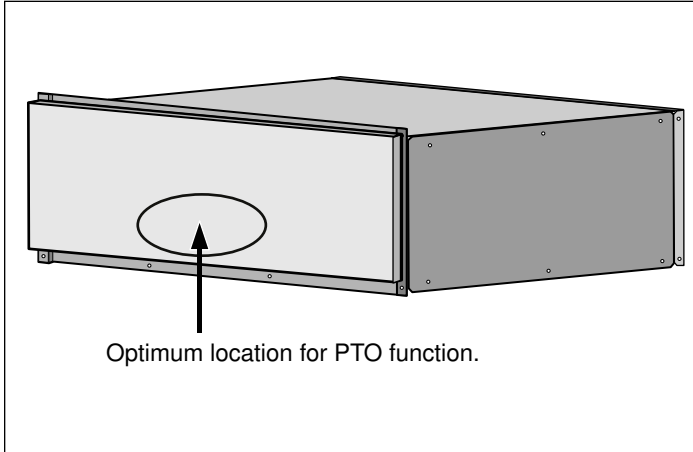


### NOTICES

- At this position, a slight increase in closure force is required with several small increments of force applied to the drawer to accurately align and set the drawer for proper operation.
- An audible "click" should be heard when the drawer is properly closed causing the drawer to lock in the closed position.



4. Test the operation of the PTO drawer by pushing on the center lower portion of the drawer front (optimum location for function).



**Note:** It should be noted the recommended and optimum location for opening the drawer is the lower center front. The drawer will operate with an opening force applied to any location on the drawer front, however a slight increase in opening force may be required.

## Parts Included

**Note:** The parts contained in the square tube parts box are for microwave installations.

## Installing with Microwave

1. Position the warming drawer housing in front of the cabinet where it is to be installed.
2. Position the microwave or steam oven nearby.
3. The warming drawer is ready for the microwave to be mounted.

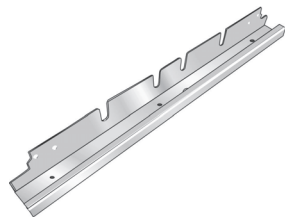
## Pre-Assembly Preparation

Mounting the microwave on the warming drawer requires the units to be assembled together prior to installing into the cabinet cutout.

The 30" warming drawer is combinable with 30" built in microwave/speed ovens. It is not combinable with the trim kit microwaves or 27" microwaves.

## Parts Provided

Universal connector bracket (2) (in parts box).



Screws (16) (in red bag, inside parts box).



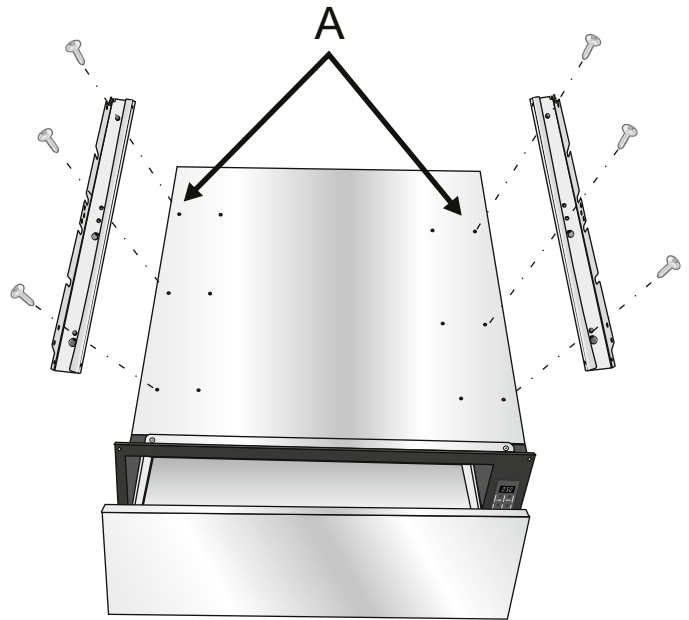
## Mounting the Microwave on the Warming Drawer

**Note:** Do not place the warming drawer into the wall cabinet until after mounting the microwave on it using the universal connector brackets.

**Note:** The universal connector brackets are interchangeable for the left and right sides of the warming drawer. Be sure the taller vertical edge of the bracket is positioned to the outside of the warming drawer.

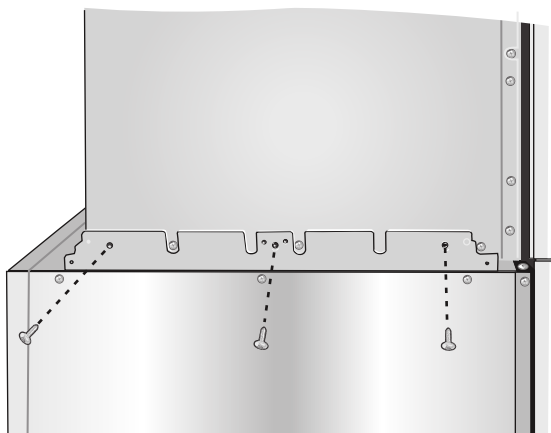
## Assemble the Brackets to the Warming Drawer

1. Attach both universal connector brackets to the warming drawer housing using three of the screws provided for each bracket (A). Tighten screws securely, but do not over tighten.



**Note:** The existing screws in the microwave base help with alignment. When lowering the microwave into place on the universal connector bracket allow these screw heads to slide into the slots as shown in the illustration below. The screw nearest the front of the microwave slides into the base of the slope at the front of the bracket.

Place the microwave oven unit on top of the universal connector brackets and fasten in place using three screws per side in the outside set of holes. Tighten the screws securely, but do not over tighten.



3. Turn power on at the service panel.
4. Test the installation.
  - Turn the warming drawer on. Signal light and timer should turn on immediately.
  - Check for warmth.

2. Continue with the unit installation in the section below describing installation of the warming drawer microwave/steam oven unit into the wall cabinet.

### Installation into the Cabinet Cutout

1. Install the warming drawer and microwave assembly into the cabinet cutout.

---

#### ⚠ CAUTION

It is recommended to have 2 installers to install the unit assembly. Failure to do so may result in property damage or personal injury.

---

- Slide the assembly into the cabinet cutout until it is flush with the front of the cabinet.
  - Secure through screw holes in cleats (drill pilot holes in cleats first if necessary). See installation dimensions diagram. Secure microwave according to installation instructions provided with those units.
2. Replace drawer.
    - Be sure cabinet rails are pushed inside cabinet.
    - Align the rails on the drawer rails with the rails attached to the drawer housing.
    - Firmly push the drawer straight into the drawer housing until the drawer clicks into place. The drawer should insert easily. If it binds, do not attempt to force it. Remove the drawer, align the slides on the housing to the front edge of the housing and try again. Slide the drawer into both housing slides at the same time, and keep the drawer level while doing so.
    - The drawer has a “push-to-open” operation. Pressing the front of the drawer inward causes the drawer to self open.
    - Open and close drawer to test operation.

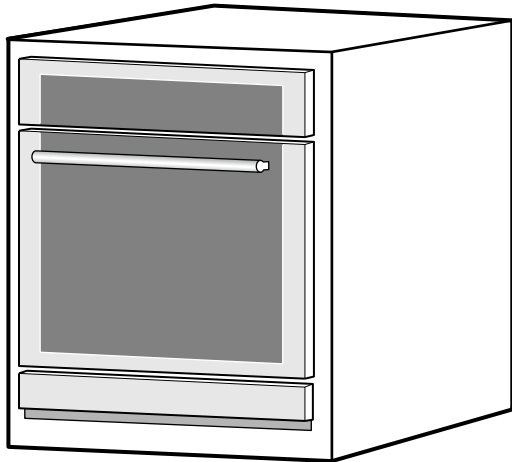
**Note:** If the drawer will not close, verify that the rails release levers are properly positioned.

# Installation Procedure SDS30WC

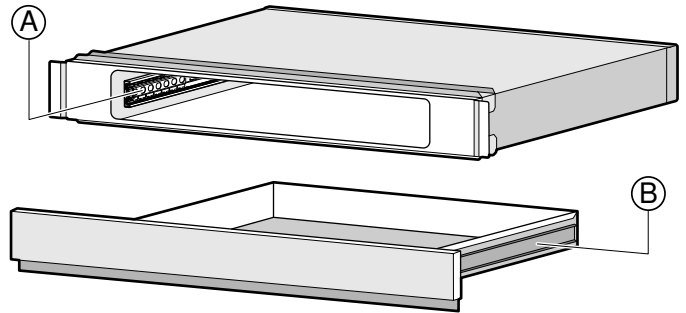
The **SDS30WC** storage drawer is specifically designed to only be used with the single steam ovens **MEDS301WS** and **PODS301W**.

## Notes

- The cutout dimensions in this manual for the SDS30WC are for reference only. For complete unit and cabinet dimensions refer to the installation guide included with the steam oven.
- The storage drawer combined with the steam oven allows for the replacement of a standard single wall oven.
- The steam oven is shorter than a standard wall oven. The storage drawer when combined with the steam oven allows for a direct replacement of a standard wall oven.
- The drawer is functional storage drawer for the trays and racks supplied with the steam oven.



There are two PTO slide assemblies installed in this unit, one on each side. A **slide** is mounted to each side of the housing and corresponding **rails** are mounted to each side of the drawer. (Only one side is shown in picture for clarity).



A Slide

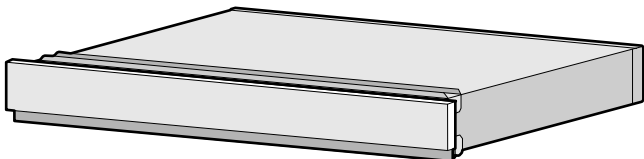
B Rail

During installation or service (cleaning) it may be desired or recommended to remove the drawer from the unit to simplify or aid in installation or service. Special care and specific steps are recommended to ensure no damage is done to the PTO mechanism.

## ⚠ WARNING

Do not repair, replace or remove any part of the appliance unless specifically recommended in the manuals. Improper installation, service or maintenance can cause injury or property damage. Refer to this manual for guidance. All other servicing should be done by an authorized servicer.

**NOTICE:** This unit utilizes a special ball bearing slide and locking feature called "Push to Open" (PTO). This feature allows for a design without a handle and a flush installation option.



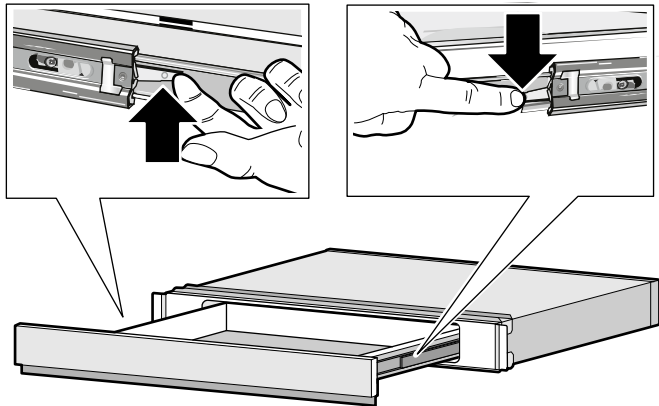
## Removing Drawer from Housing

### ⚠ CAUTION

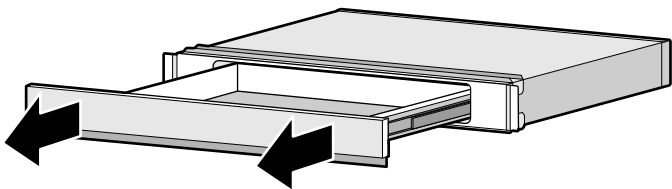
Hidden surfaces may have sharp edges. Use caution when reaching into, around or under appliance

**NOTICE:** The following is the manufacturer's recommendations for removing and installing the drawer to minimize the risk of damage to the PTO mechanism.

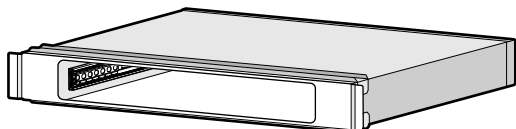
1. Remove the drawer from the drawer housing.
  - Activate the PTO feature by pushing on the front of the drawer face. Drawer will open approximately 4 inches.
  - Pull drawer to fully open position.
  - Press down right drawer release lever.
  - Lift up left drawer release lever.
  - Firmly pull the drawer straight out.
  - Retract cabinet rails while drawer is removed.



2. Grasp both sides of the drawer and pulling straight and level, carefully remove the drawer housing. This step may require light to moderate force to completely remove drawer.

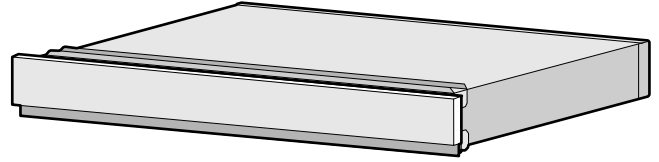


3. Install or service (clean) housing with drawer removed.

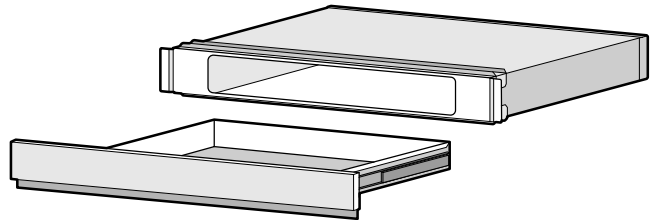


## Preparing the Storage Drawer for Installation

Remove the storage drawer from the packaging and place on a sturdy surface such as a table or workbench. Take precautions to protect the work surface while preparing the storage drawer for installation. The cardboard packaging or some other suitable protector could be used for this purpose.

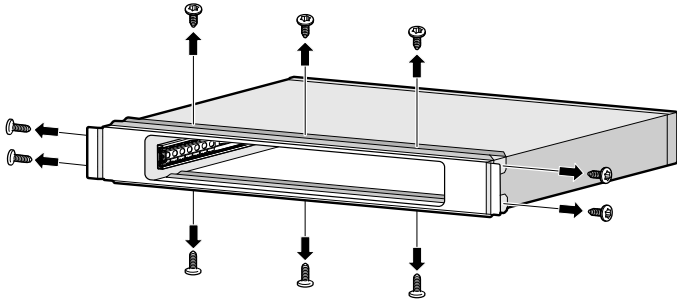


Once appliance is properly placed on a prepared work surface, remove the drawer from the unit. Lay the drawer to the side taking care to protect the stainless steel surfaces from damage.

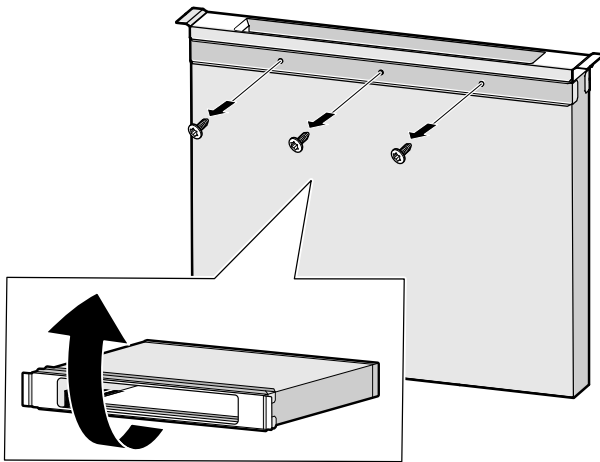


## Remove Shipping Brackets

Remove the ten (10) screws fastening the shipping brackets from the housing.



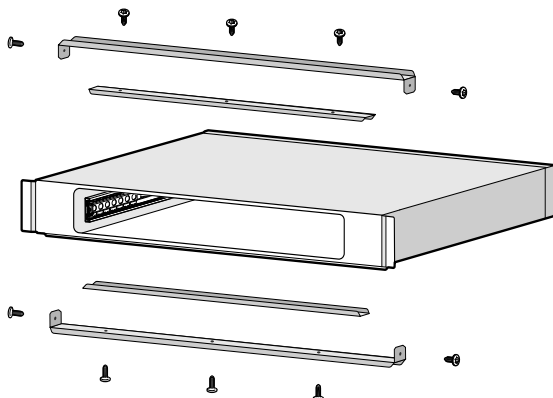
The lower bracket screws can be accessed by turning the housing on end or sliding forward off the surface table to gain access to the lower screws and bracket.



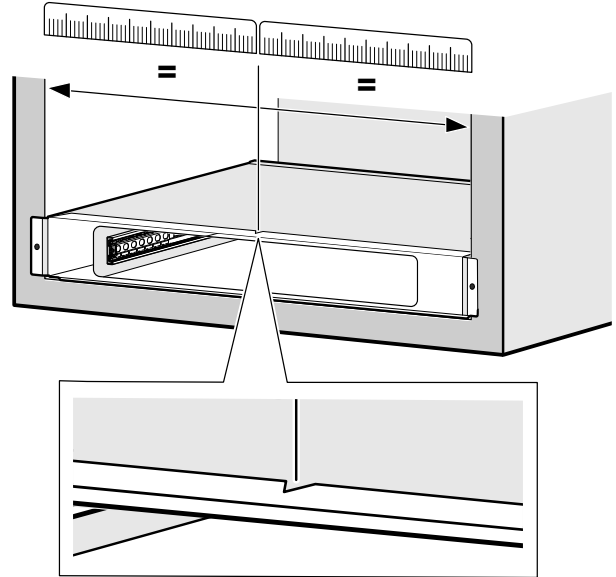
A moderate force may be required to pry the top and bottom outer bracket from the side of the housing since the screws tend to slightly deform the housing hole causing slight binding of the bracket.

**Note:** Take care not to damage or scratch the front stainless steel cover or side trims.

Discard the two outer and inner shipping brackets and the ten (10) screws that were just removed. They are no longer needed for the installation.

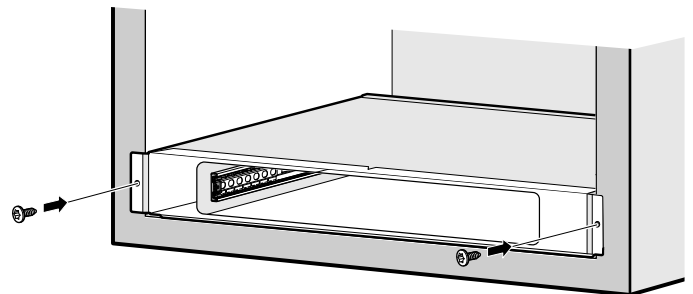


Slide the housing into the cabinet opening until the side trims touch the cabinet face. There is a v-notch on the top face of the stainless steel front cover to assist in alignment of the housing to the cabinet opening. Measure the cabinet opening and adjust the storage drawer housing by aligning the v-notch with half of the measured cabinet opening. This will ensure the housing is centered in the opening.



Once the storage drawer has been aligned to the cabinet opening, install two (2) supplied screws to secure the housing to the cabinet face.

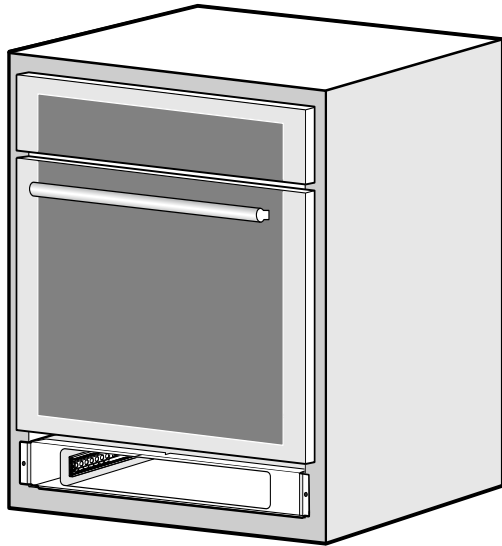
With the drawer fully open, drill pilot holes through side flange with a 1/8" (3.175mm) wood bit before the steam oven or drawer is installed.



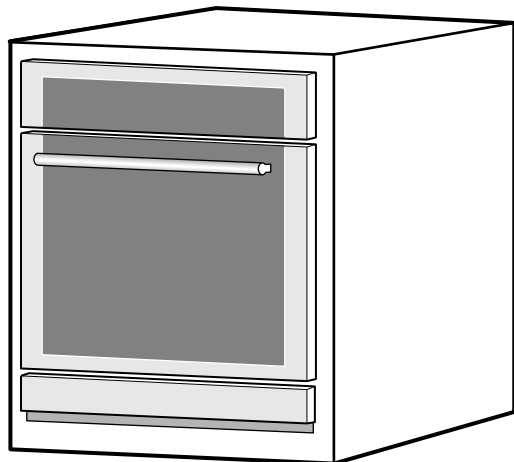
## Install Steam Oven on Top of Storage Drawer

**Note:** Installing the drawer before installing steam oven may scratch drawer face.

The steam oven **must** be installed on top of the storage drawer prior to reinstalling the drawer into the storage drawer housing. Slide steam oven directly on top of the storage drawer housing until it is flush with the cabinet.

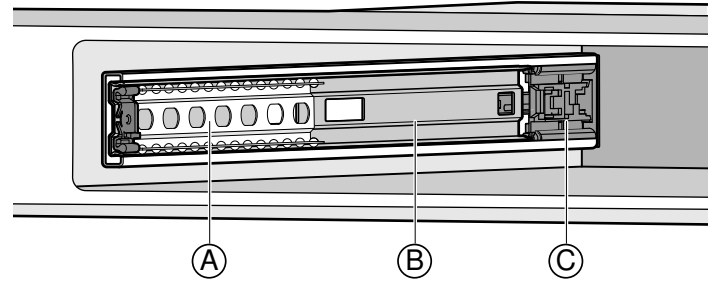


Refer to the unit installation guide accompanying the steam oven for detailed installation instructions. Reinstall the drawer to the storage drawer housing.



## Installing Drawer to Housing

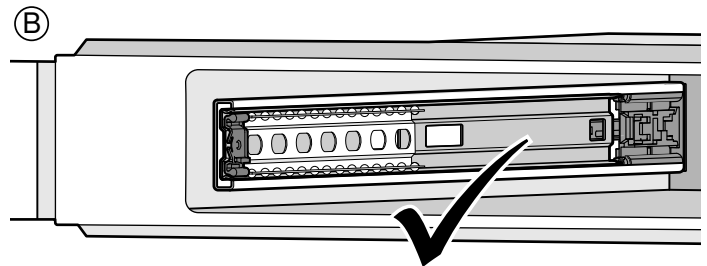
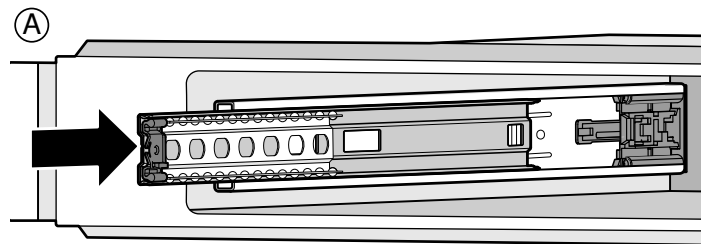
The slides mounted to each side of the housing wall have two moving components, an inner rail and a ball bearing carrier which need to be in the proper orientation for accurate installation and alignment.



There is also a visible locking mechanism located at the rear of each slide.

- A Ball Bearing Carrier
- B Slide Inner Rail
- C Locking Mechanism

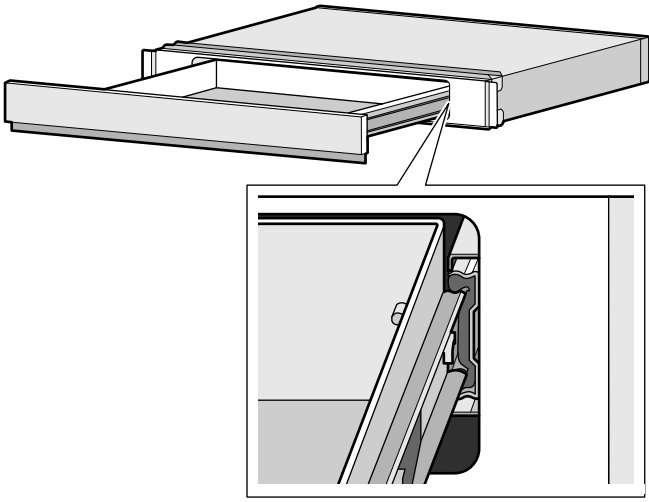
1. The slide inner rail should be set to the drawer locked position for proper installation. With the drawer removed push the slide inner rail **toward** the rear of the housing until it locks in place and does not spring back to the open position.



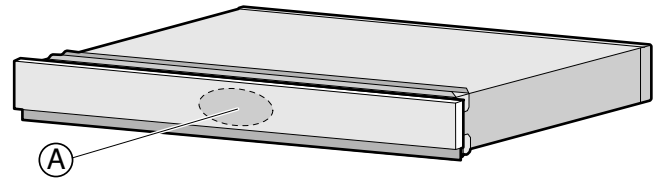
- A Slide Inner Rail
- B Locking Mechanism

**Note:** A moderate force pushing on the black plastic ball carrier locking mechanism is required to set the slide to the drawer locked position. The drawer is locked when it remains in place and does not spring back to the open position.

2. Position the drawer assembly in front of the housing assembly and align the rail to the slide ball carrier assembly. Keeping the drawer assembly level and square to the housing, gently insert the drawer to the housing assembly.

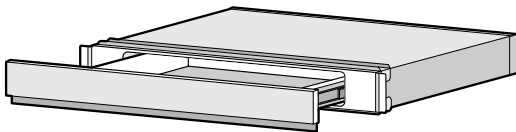


4. Test the operation of the PTO drawer by pushing on the center lower portion of the drawer front (optimum location for function). The drawer will operate with an opening force applied to any location of the drawer front when outside the recommended location with a slight increase in force.



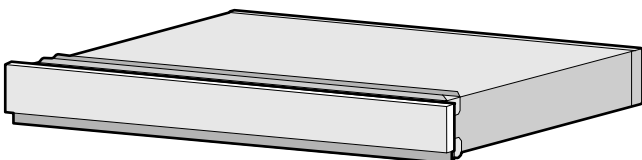
### Notes

- A slight side-to-side wiggle motion may be required to properly get the ball bearings to accurately align.
  - **Remember:** You are attempting to align two sets of ball bearings. If more than a moderate force is required to insert the drawer at this time, remove the drawer and repeat the installation procedure to this point.
3. Continue to insert the drawer keeping the drawer level and square to the housing until a slight increase in resistance is felt at the approximate position shown below.



### NOTICES

- At this position, a slight increase in closure force is required with several small increments of force applied to the drawer to accurately align and set the drawer for proper operation.
- An audible “click” will be heard when the drawer is properly closed causing the drawer to lock in the closed position.





---

# Installation Procedure WD30W

---

## ⚠ CAUTION

Never operate the warming drawer without a front panel attached. You can attach a Thermador® front panel or a custom front panel.

---

---

## ⚠ CAUTION

DO NOT lift the warming drawer by the door's handle as this may damage the slides and cause the door to fit incorrectly.

---

---

## ⚠ WARNING

### DO NOT REPAIR OR REPLACE PARTS

Do not repair or replace any part of the appliance unless specifically recommended in the manual. Improper installation, service or maintenance can cause injury or property damage. Refer to this manual for guidance. All other servicing should be done by an authorized servicer.

---

The electrical outlet can be installed in the back wall directly behind the warming drawer. A recessed power receptacle must not exceed 5 1/2 ft. (1.7m) maximum distance from either side of the warming drawer cutout. Installation clearances permit for the excess power cord to be coiled behind the appliance.

DO NOT install this warming drawer in wet locations or outdoors.

---

## ⚠ CAUTION

Before installing, turn power OFF at the service panel. Lock service panel to prevent power from being turned ON accidentally.

---

## Preparing the Custom Panel for Installation

Custom panels must meet the following requirements:

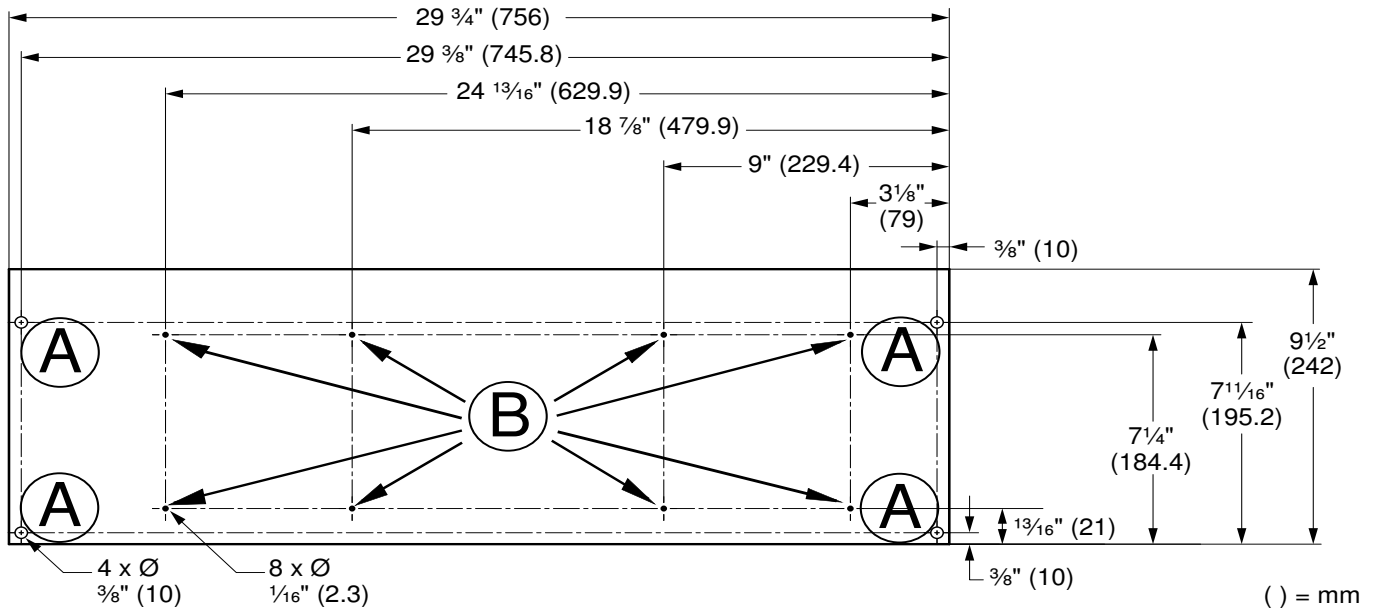
- Custom panel is provided by the customer.
- Have a handle provided by the customer.
- Have a minimum thickness of 3/4" (19 mm).
- Have all edges finished.
- If using wood, the back must be sealed to prevent moisture damage.
- Be capable of withstanding temperatures above 158°F (70°C).

## Custom Panel Front Preparation

1. Mark pilot holes based on the dimensions in the template diagram below.
2. When drilling pilot and clearance holes, be careful not to drill all the way through the panel. Pilot holes should only be 10mm (7/16") deep.
3. Dimensions are in millimeters (inches).
4. It is recommended to attach the desired handle/knob using metal fasteners.

## Attaching the Custom Panel

The custom front warming drawer comes with an attachment plate pre-assembled to the unit.



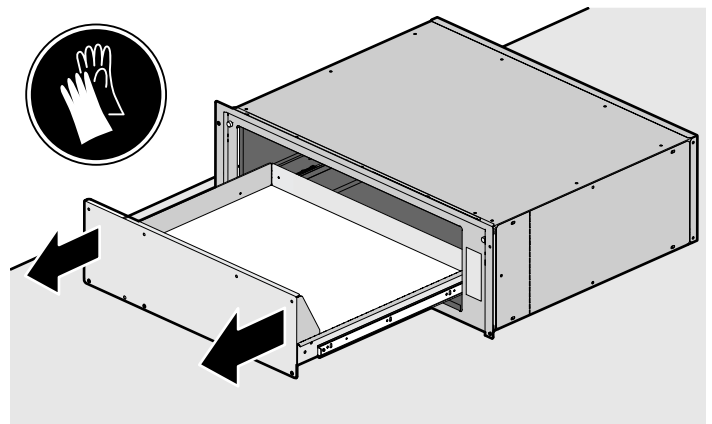
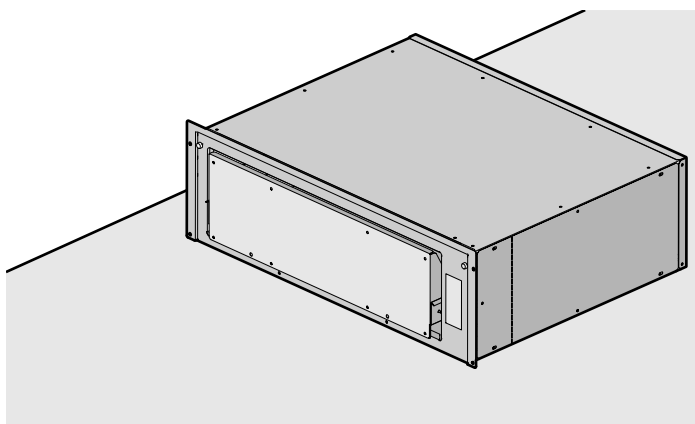
**Note:** Template dimensions are for reference only. The panel size is at the customer's discretion.

Location	Qty.	Description
<b>A</b>	4	Counter bore holes 10mm (7/16") to clear mounting screws (not provided). Depth of bore hole is also 10mm (7/16"). <b>Be careful not to drill through the panel.</b>
<b>B</b>	8	Pre-drilled to fit mounting screws 2.3mm (1/8") provided (self-tap screw 8 x 1/2 T20 Truss). Depth of bore hole is 10mm (7/16"). <b>Be careful not to drill through the panel.</b>

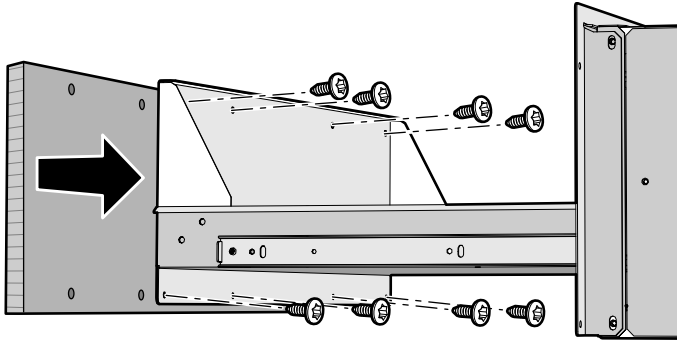
### Notes

- The maximum panel weight is 8 pounds (3.6kg).
- Panel thickness is 19.05mm (3/4") based on U.S. standard cabinet thickness.
- It is recommended that metal fasteners be used.
- Dimensions are in millimeters (mm).

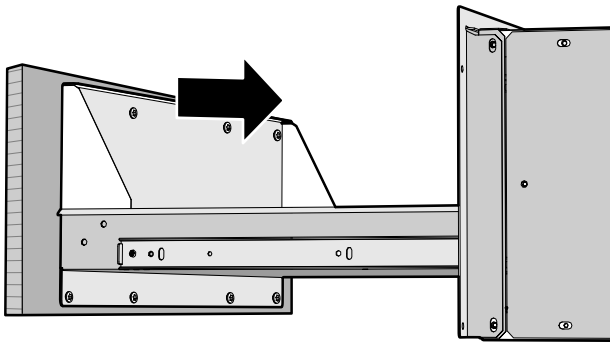
Pre-drill pilot and clearance holes in the custom front panel as explained in the **Installation Procedure** chapter and then proceed as follows.



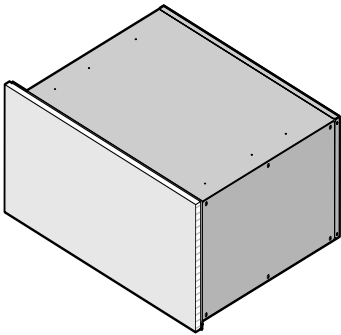
Open the drawer fully by grasping the outer edges of the attachment plate. Be sure to wear gloves to protect from cuts from the edges of the attachment plate.



Secure the custom panel to the drawer front with eight (8) #8 x 1/2" T-20 star head screws supplied with the unit. Tighten the screws but do not overtighten.



Close the drawer. The installation of the custom panel to the attachment plate is complete.



Continue with the cabinet installation as described in the **Installation Procedure** chapter.

### Installation Final Check List

- Specified clearances maintained to cabinet surfaces.
- Drawer handle is level and centered.
- Drawer opens and closes properly.
- Unit is level.
- All packaging material is removed.
- Receptacle with correct over-current protection is provided for service cord connection.
- Proper ground connection.
- Owner is aware of location of the main circuit breaker.

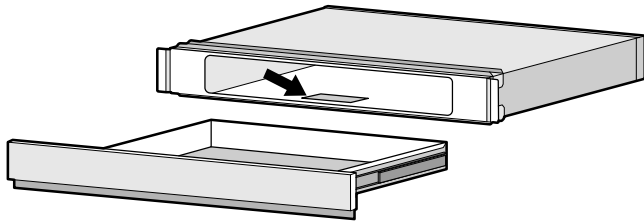
# Service

If the warming drawer elements or signal lights do not turn on, check the power source to see if the circuit breaker is tripped.

## Data Plate

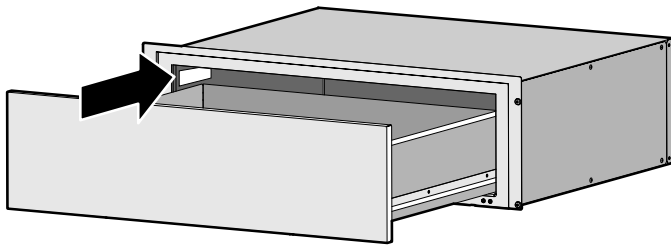
### Model SDS30WC

Refer to the data plate on the storage drawer when requesting service or when contacting Customer Service for assistance. The data plate is visible on the bottom of the drawer casing for the **SDS30WC** storage drawer. It will be necessary to remove the drawer to view it.



### SDS30WC Data Plate Location

The data plate for the SD30WC storage drawer is located on the left inside of the housing.

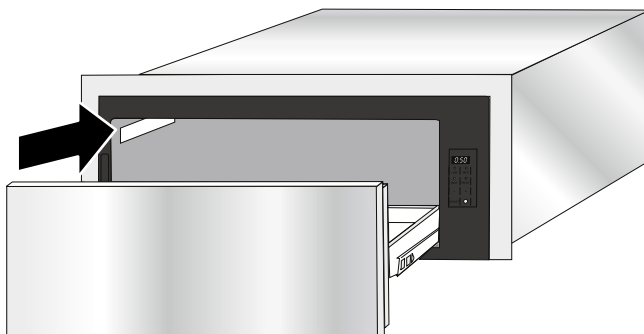


### SD30WC Data Plate Location

## Rating Label-WD30W AND WD30WC

### Models SD30WC, WD30WC, WD30W

Refer to the rating label on the appliance when requesting service or when contacting Customer Service for assistance. The rating label is visible on the left of the drawer casing.



## Model Number and FD Number

The model number and the FD number of your appliance are found on the data plate or rating label. Make a note of these numbers in the space below to save time in the event your appliance requires service.

Model #	FD #
Thermador Customer Support	800-735-4328

Keep your invoice or escrow papers for warranty validation if service is needed.

---

# THERMADOR® Support

## Service

We realize that you have made a considerable investment in your kitchen. We are dedicated to supporting you and your appliance so that you have many years of creative cooking.

Please do not hesitate to contact our STAR® Customer Support Department if you have any questions or in the unlikely event that your THERMADOR® appliance needs service. Our service team is ready to assist you.

### USA

800-735-4328

[www.thermador.com/support](http://www.thermador.com/support)

### Canada

800-735-4328

[www.thermador.ca](http://www.thermador.ca)

## Parts and Accessories

Parts, filters, descalers, stainless steel cleaners and more can be purchased in the THERMADOR® eShop or by phone.

### USA

<http://store.thermador.com/us>

### Canada

- If you live in any of the Atlantic provinces, Ontario, or Québec contact:

#### Marcone

1.800.287.1627

- If you live in any of the Territories, Manitoba, Saskatchewan, Alberta, or British Columbia contact:

#### Reliable Parts

1.800.663.6060

# Table de MATIÈRES

<b>▲ Définitions de sécurité</b> .....	<b>23</b>	<b>Procédures d'installation du WD30WC</b> .....	<b>38</b>
<b>IMPORTANTES CONSIGNES DE SÉCURITÉ</b> .....	<b>24</b>	Préparation du panneau personnalisé pour installation .....	38
Sécurité de manutention des appareils .....	24	Fixation du panneau personnalisé .....	39
Codes et normes de sécurité .....	24	Liste de vérification finale de l'installation .....	40
Sécurité électrique .....	24	<b>Dépannage</b> .....	<b>41</b>
Équipement de sécurité .....	25	Plaque signalétique .....	41
Avertissement issue de la proposition 65 de l'État de la Californie : .....	25	Plaque signalétique-WD30W ET WD30WC .....	41
<b>Avant de commencer</b> .....	<b>26</b>	Numéro de modèle et numéro FD .....	41
Outils et pièces nécessaires .....	26	<b>Soutien THERMADOR®</b> .....	<b>42</b>
Pièces comprises .....	26	Dépannage .....	42
Exigences électriques et mise à la terre .....	26	Pièces et accessoires .....	42
<b>Préparation des meubles</b> .....	<b>26</b>		
Renseignements concernant les armoires et les découpes .....	26		
Dimensions de l'appareil SDS30WC .....	26		
Dimensions de l'appareil et des armoires WD30W/ WD30WC/SD30WC .....	26		
<b>Procédures d'installation pour</b> <b>WC30WC, SD30WC</b> .....	<b>27</b>		
Retirer le tiroir de son compartiment .....	28		
Installation du tiroir dans le compartiment .....	29		
Pièces incluses .....	31		
Installation avec un four à micro-ondes .....	31		
<b>Procédures d'installation du SDS30WC</b> .....	<b>33</b>		
Retirer le tiroir de son compartiment .....	34		
Préparation du tiroir de rangement pour installation ...	34		
Retrait des équerres de fixation d'expédition .....	35		
Installation du four à vapeur au-dessus du tiroir de rangement .....	36		
Installation du tiroir dans le compartiment .....	36		

*Cet appareil électroménager  
de THERMADOR*

est fait par BSH Home Appliances Ltd.  
6696 Financial Drive, Unit 3  
Mississauga, ON L5N 7J6

---

*Question ?*

1-800-735-4328

www.thermador.ca

*Nous attendons de vos nouvelles.*

---

## Définitions de sécurité

---

### AVERTISSEMENT

Ceci indique que le non-respect de cet avertissement peut entraîner des blessures graves, voire la mort.

---

### ATTENTION

Ceci indique que le non-respect de cet avertissement peut entraîner des blessures légères ou de gravité moyenne.

---

**AVIS :** Ceci indique que la non-conformité à cet avis de sécurité peut entraîner des dégâts matériels ou endommager l'appareil.

**Remarque :** Ceci vous signale des informations et/ou indications importantes.

# **IMPORTANTES CONSIGNES DE SÉCURITÉ**

## LIRE ET CONSERVER CES INSTRUCTIONS

**IMPORTANT :** CONSERVEZ CES CONSIGNES À L'INTENTION DE L'INSPECTEUR EN ÉLECTRICITÉ.

**INSTALLATEUR :** PRIÈRE DE LAISSER CES CONSIGNES AVEC CET APPAREIL À L'INTENTION DU PROPRIÉTAIRE.

**PROPRIÉTAIRE :** PRIÈRE DE CONSERVER CES CONSIGNES POUR RÉFÉRENCE ULTÉRIEURE.

---

### AVERTISSEMENT

---

Correctement entretenu, votre électroménager neuf a été conçu pour être sécuritaire et fiable. Lisez attentivement toutes les instructions avant l'utilisation. Ces précautions réduiront le risque de brûlure, d'électrocution, d'incendie et de blessures corporelles. Lorsque vous utilisez des appareils électroménagers de cuisine, il importe de suivre des précautions de sécurité de base, y compris celles indiquées dans les pages suivantes.

---

---

### AVERTISSEMENT

---

Ne réparez, remplacez, ni ne retirez aucune partie de l'appareil, excepté si les manuels recommandent de le faire. Une installation, un entretien ou une inspection incorrects peuvent occasionner des blessures ou des dommages matériels. Reportez-vous au présent manuel pour obtenir des indications. Toute autre intervention doit être effectuée par un technicien agréé.

---

## Sécurité de manutention des appareils

Certaines surfaces peuvent avoir des bords tranchants. Faire attention en étendant le bras derrière l'appareil ou en dessous.

Une étroite surveillance est nécessaire lorsqu'un appareil électroménager est utilisé par ou à proximité d'enfants.

Ne touchez pas les surfaces chaudes. Utilisez les poignées ou les boutons.

L'utilisation d'accessoires non recommandés par le fabricant de l'appareil pourrait entraîner des blessures.

Ne pas utiliser l'appareil à l'extérieur.

Ne pas placer l'appareil sur ou à proximité d'un brûleur à gaz ou d'un brûleur électrique chaud ou dans un four chauffé.

N'utilisez pas cet appareil pour un usage autre que celui auquel il est destiné.

Soyez très prudent lorsque vous déplacez un appareil contenant de l'huile chaude ou d'autres liquides chauds.

Pour réduire le risque d'incendie, ne placez pas un appareil diffusant de la chaleur ou un appareil de cuisson sous l'appareil.

Pour réduire le risque d'incendie, ne placez pas l'unité sur ou à proximité de toute partie d'un appareil diffusant de la chaleur ou d'un appareil de cuisson.

Pour réduire le risque de décharge électrique, ne pas monter au-dessus d'un évier.

Pour réduire le risque d'incendie, ne rien placer directement sur la surface de l'appareil lorsque celui-ci est en fonctionnement.

Pour réduire le risque d'incendie, ne placez rien dans le tiroir-réchaud qui pourrait causer un incendie (comme des aliments, des sacs, etc.) si l'appareil est activé.

## Codes et normes de sécurité

Cet appareil est conforme aux plus récentes versions de l'une ou plus des normes suivantes :

- UL 1026 - Appareils électroménagers pour la cuisson et la préparation des aliments
- CSA-C22.2 N° 64 - Appareils électroménagers pour la cuisson et le chauffage des liquides

Il incombe au propriétaire et à l'installateur de déterminer si des exigences et/ou normes additionnelles s'appliquent pour des installations spécifiques.

## Sécurité électrique

---

### AVERTISSEMENT

---

Avant tout raccordement de cordon électrique ou toute mise sous tension, assurez-vous que toutes les commandes sont en position OFF (d'arrêt).

---

Ne laissez pas le cordon pendre de la table ou du comptoir, ni entrer en contact avec les surfaces chaudes.

Branchez toujours la fiche à l'appareil en premier avant de la raccorder à la prise murale. Pour débrancher l'appareil, mettez toutes les commandes à la position "off" (arrêt) et retirez ensuite la fiche de la prise murale.

N'utilisez pas l'appareil avec une fiche ou un cordon endommagé ou encore si l'appareil ne fonctionne pas correctement ou a été endommagé de quelque façon. Il n'est pas sécuritaire d'utiliser un appareil avec une fiche ou un cordon endommagé. Si l'appareil a été endommagé ou qu'il ne fonctionne pas correctement, débranchez l'appareil de l'alimentation électrique de façon sécuritaire et contactez immédiatement un technicien qualifié pour une inspection du produit.



# ⚠ **IMPORTANTES CONSIGNES DE SÉCURITÉ**

## LIRE ET CONSERVER CES INSTRUCTIONS

Pour se protéger contre toute décharge électrique, ne pas immerger le cordon, les prises ou d'autres pièces électriques de l'appareil dans de l'eau ou un autre liquide.

Pour les appareils dotés d'un cordon d'alimentation avec fiche, ne pas couper ni enlever la broche de mise à la terre. Pour éviter toute décharge électrique, branchez le cordon sur une prise de courant correspondante avec mise à la terre. En cas de doute concernant la mise à la terre appropriée de la prise murale, le client doit faire vérifier celle-ci par un électricien qualifié. N'utilisez PAS de rallonge ou d'adaptateur.

S'il y a lieu, conformément au Code national de l'électricité (ou au Code canadien de l'électricité), cet appareil doit être installé sur un circuit de dérivation séparé.

Installateur – Indiquez au propriétaire l'emplacement du disjoncteur ou du fusible. Identifiez sa position pour pouvoir le retrouver facilement.

---

### **AVERTISSEMENT**

Avant l'installation, coupez l'alimentation au panneau de service. Verrouillez le panneau de service pour empêcher que l'alimentation ne soit rétablie par accident.

Consultez la plaque signalétique pour de plus amples renseignements. Consultez la section "*Plaque signalétique*" sous **Dépannage** pour l'emplacement de la plaque signalétique.

S'assurer que l'appareil est installé et mis à la terre par un technicien qualifié. L'installation, les connexions électriques et la mise à la terre doivent être conformes à tous les codes applicables.

### **Équipement de sécurité**

Retirez le ruban adhésif et l'emballage avant d'utiliser l'appareil. Jetez ou recyclez les matériaux d'emballage en respectant les codes locaux après avoir déballé l'appareil.

N'altérez ni ne modifiez jamais la configuration de l'appareil. Par exemple, n'enlevez pas les panneaux ou les revêtements.

---

### **ATTENTION**

Pour les unités dotées de panneaux en verre, manipulez le verre avec précaution pour éviter qu'il ne se brise. Les éclats de verre peuvent blesser quelqu'un.

---

---

### **ATTENTION**

Il est conseillé de faire installer l'unité par deux (2) installateurs. Tout manquement à respecter cette consigne pourrait occasionner des dégâts matériels ou des blessures.

---

**AVIS DE SÉCURITÉ IMPORTANT :** En application de la loi californienne concernant la salubrité de l'eau et la protection contre les substances chimiques (« California Safe Drinking Water and Toxic Enforcement Act »), le gouverneur de Californie est tenu de publier une liste des substances reconnues par l'État de Californie comme étant cancérigènes ou pouvant causer des malformations ou présenter un danger pour la reproduction, et les entreprises sont tenues d'avertir les consommateurs des risques potentiels d'exposition à de telles substances.

**Conservez ces instructions.**

**Avertissement issue de la proposition 65 de l'État de la Californie :**

---

### **AVERTISSEMENT**

Ce produit peut vous exposer à des produits chimiques, comme du chlorure de vinyle, reconnus par l'État de la Californie comme causant le cancer, des malformations congénitales ou d'autres effets nocifs sur la reproduction. Pour de plus amples renseignements, consultez [www.P65Warnings.ca.gov](http://www.P65Warnings.ca.gov).

---

# Avant de commencer

## Outils et pièces nécessaires

- Tournevis cruciforme T-20
- Ruban à mesurer
- Perceuse avec mèche (1/8 po)

## Pièces comprises

Vis à tête cruciforme T-20, #8 x 1/2 po (6)

## Exigences électriques et mise à la terre

Spécifications concernant le circuit : 120 V, 15 A, 60 Hz  
La prise de courant doit être correctement mise à la terre selon tous les codes applicables.

Il incombe à l'installateur de respecter les codes locaux. En l'absence d'un code local, câblez cet appareil en conformité à la norme ANSI/NFPA no 70, dernière version, du National Electric Code.

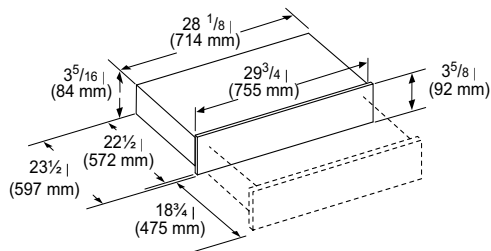
# Préparation des meubles

## Renseignements concernant les armoires et les découpes

Les instructions sont fondées sur des armoires standards (aux États-Unis) de 36 po (914 mm) de hauteur et de 24 po (609 mm) de profondeur avec un plan de travail de 25 po (635 mm). Le cas contraire, modifiez les dimensions en conséquence.

## Dimensions de l'appareil SDS30WC

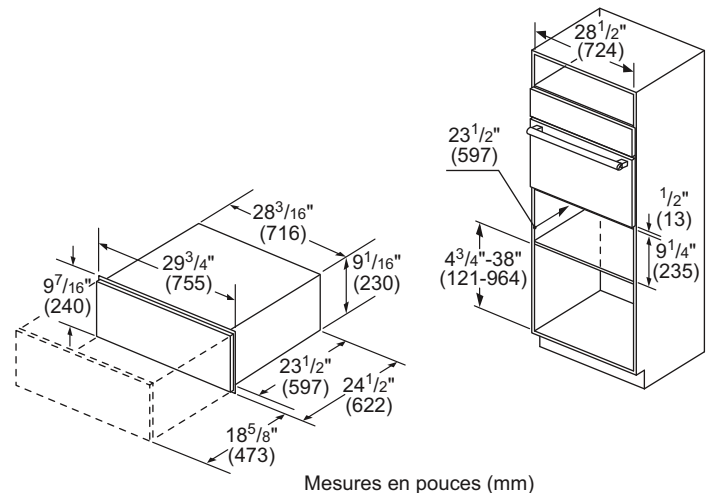
Le tiroir de rangement accepte un poids maximum de 40 lb (18 kg).



( )=mm

## Dimensions de l'appareil et des armoires WD30W/WD30WC/SD30WC

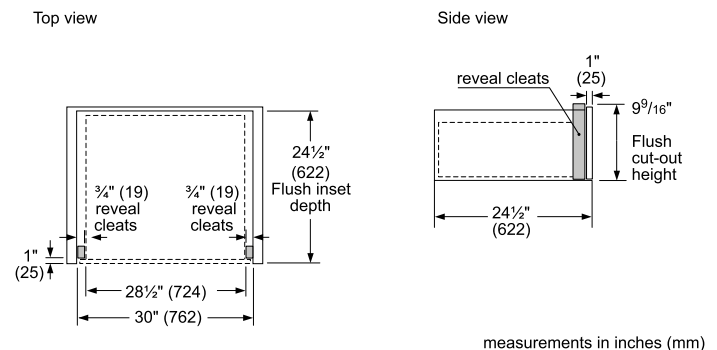
**Remarque :** Le cordon d'alimentation du tiroir-réchaud des appareils mesure 84 po (2134 mm) de longueur. La base de l'ouverture de l'armoire doit pouvoir soutenir un poids de 110 lb (50 kg).



Mesures en pouces (mm)

**Remarque :** Le diagramme des dimensions est fourni uniquement à titre de référence. Consultez le guide d'installation inclus dans le four à vapeur pour connaître les dimensions de l'appareil et des armoires.

## Installation en affleurement



measurements in inches (mm)

## Montage mural

Les tiroirs-réchaud Thermador® peuvent être installés sous n'importe quel four simple ou double intégré de marque Thermador®. Un dégagement minimum de 1 po (25,4 mm) est recommandé entre le bas du four et le haut du tiroir-réchaud.

## Installation sous le plan de travail

Il est également possible d'installer les tiroirs-réchaud Thermador® sous n'importe quelle table de cuisson électrique ou à gaz non professionnelle de Thermador® pourvu qu'il n'y ait aucun contact entre le fond de la table de cuisson et le dessus du tiroir-réchaud. Lors d'une installation sous une table de cuisson par induction Thermador®, un dégagement de 1 po (25,4 mm) pour la circulation d'air doit être maintenu entre le fond de la table de cuisson et le dessus du tiroir-réchaud.

Lorsque le tiroir-réchaud est installé sous une cuisinière Thermador Professional®, il faut maintenir un dégagement minimum de 2 3/4 po (70 mm) pour la circulation d'air entre le fond de la cuisinière et le dessus du tiroir-réchaud.

## Procédures d'installation pour WC30WC, SD30WC

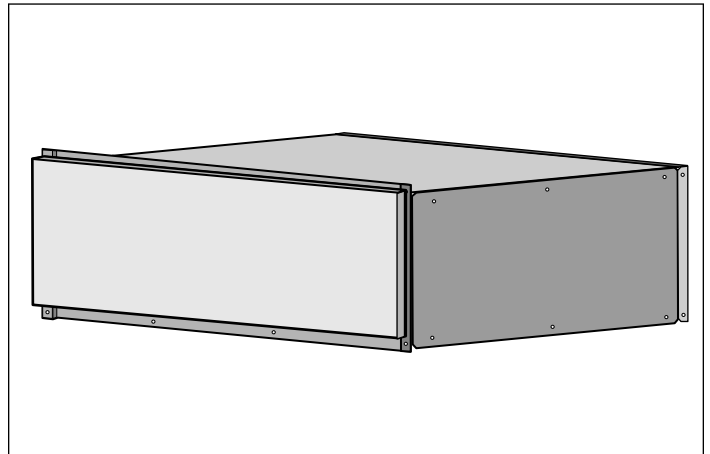
Il est possible d'installer la prise électrique dans la paroi arrière, directement derrière le tiroir-réchaud. La prise de courant encastrée ne doit pas être à plus de 5 1/2 pi (1,7 m) d'un côté ou de l'autre de la découpe du tiroir-réchaud. Les dégagements pour l'installation permettent d'enrouler le cordon d'alimentation excessif derrière l'appareil électroménager.

N'installez pas le tiroir-réchaud dans des emplacements mouillés ou à l'extérieur.

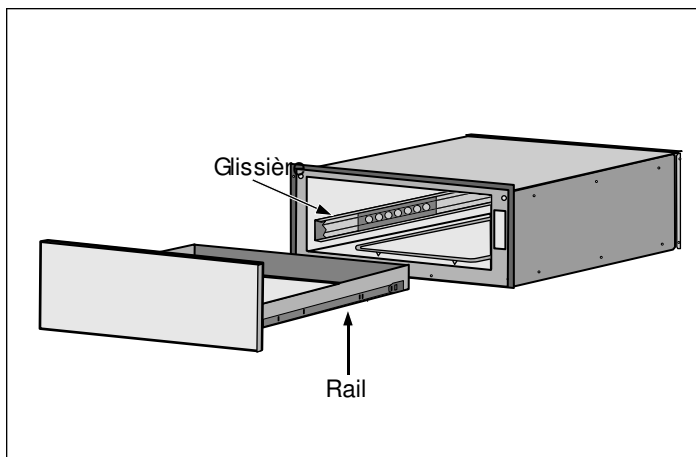
### ⚠ AVERTISSEMENT

Ne réparez, remplacez, ni ne retirez aucune partie de l'appareil, excepté si les manuels recommandent de le faire. Une installation, un entretien ou une inspection incorrects peuvent occasionner des blessures ou des dommages matériels. Reportez-vous au présent manuel pour obtenir des indications. Toute autre intervention doit être effectuée par un technicien agréé.

**AVIS :** Cet appareil comprend une glissière spéciale à roulement à billes et un mécanisme de verrouillage appelé "Push to Open" (PTO) ou "Pousser pour ouvrir" (PPO). Cette caractéristique permet une conception sans poignée et une installation en affleurement.



Deux assemblages à glissière sont installés dans cet appareil, donc un assemblage de chaque côté. Une **glissière** est installée de chaque côté du compartiment et les **rails** correspondants sont fixés sur chaque côté du tiroir. (Un seul côté est illustré dans l'image à des fins de clarté).



Au cours de l'installation ou de l'entretien (nettoyage), il pourrait être préférable ou recommandé de retirer le tiroir de l'unité pour simplifier ou faciliter l'installation ou l'entretien. Des soins particuliers et des étapes précises doivent être respectés pour s'assurer de ne pas endommager le mécanisme PPO.

### ⚠ ATTENTION

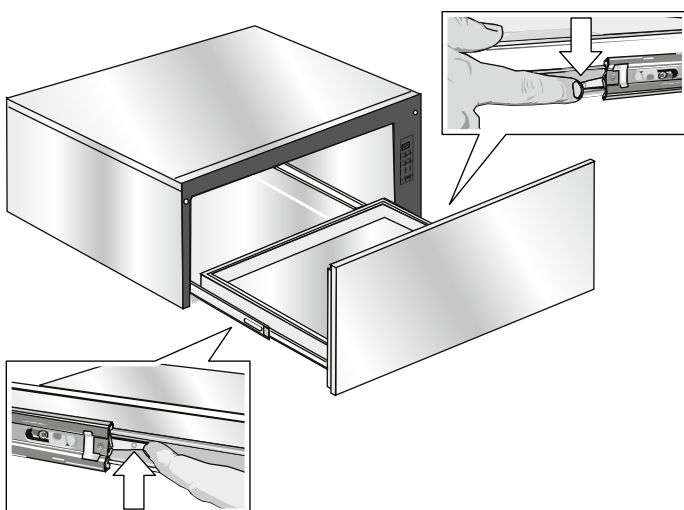
Avant l'installation, coupez l'alimentation au panneau de service. Verrouillez le panneau de service pour empêcher que l'alimentation ne soit rétablie par accident.

## Retirer le tiroir de son compartiment

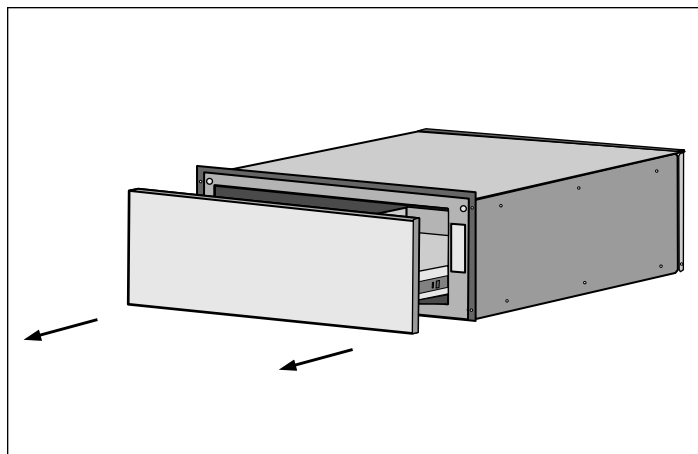
**AVIS :** Les instructions qui suivent sont celles recommandées par le fabricant pour retirer et installer le tiroir de façon à réduire le risque d'endommager le mécanisme PPO.

### 1. Retirez le tiroir de son compartiment.

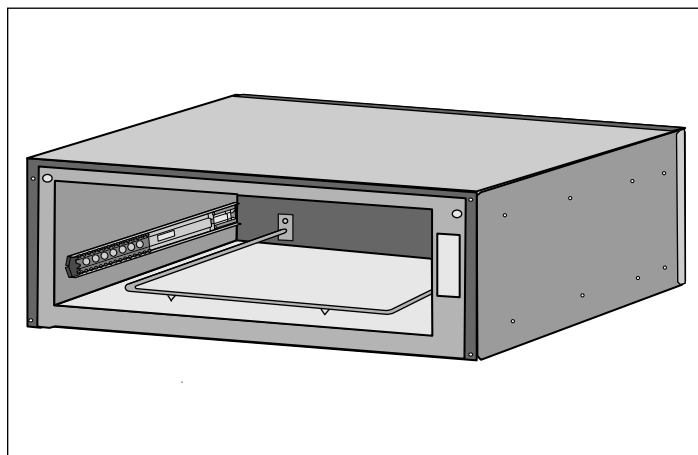
- Tirez sur le tiroir jusqu'à son ouverture complète.
- Appuyez sur le levier de dégagement du tiroir à droite.
- Relevez le levier de dégagement du tiroir à gauche.
- Tirez fermement le tiroir du compartiment.
- Rentrez les glissières de l'armoire une fois le tiroir retiré.



2. En prenant les deux côtés du tiroir et en tirant droit et vers vous, retirez soigneusement le compartiment du tiroir. Cette étape pourrait nécessiter une force légère à modérée pour retirer complètement le tiroir.



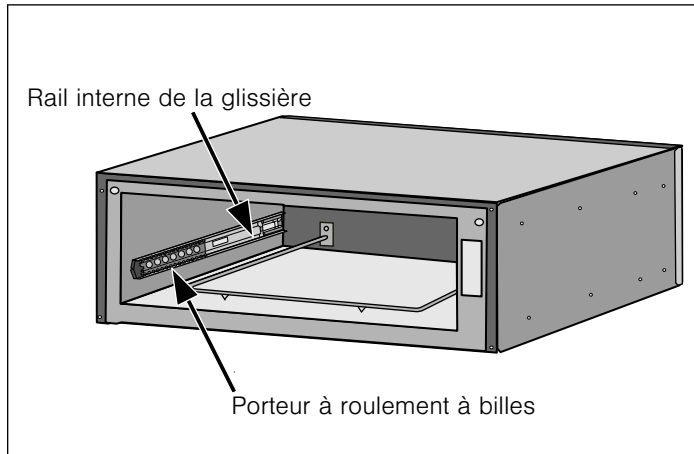
3. Installation ou entretien (nettoyage) du compartiment sans le tiroir.



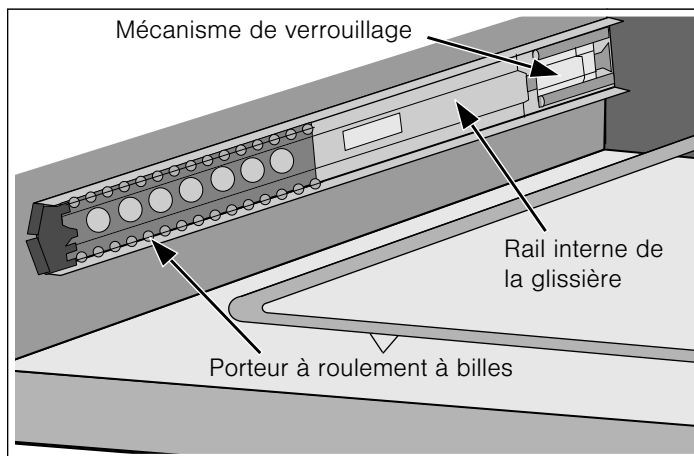
## Installation du tiroir dans le compartiment

Les glissières fixées sur chaque côté du compartiment possèdent deux pièces mobiles : un rail intérieur et un porteur à roulement à billes qui doivent être placés de façon appropriée pour une installation et un alignement adéquats.

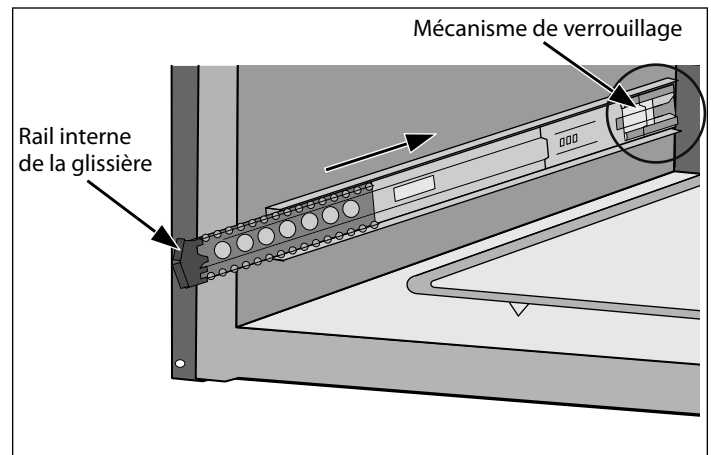
Un mécanisme de verrouillage se trouve également à l'arrière de chaque glissière.



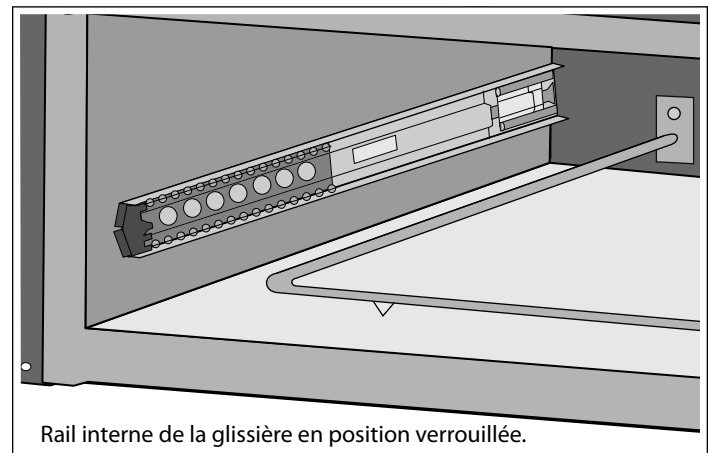
**Remarque :** Le compartiment du tiroir-réchaud devrait se trouver dans une position identique à celle de l'image ci-dessous avant de commencer l'installation. Le porteur à roulement à billes devrait être verrouillé en place dans le bout en plastique noir du rail intérieur situé sur la partie avant du rail intérieur.



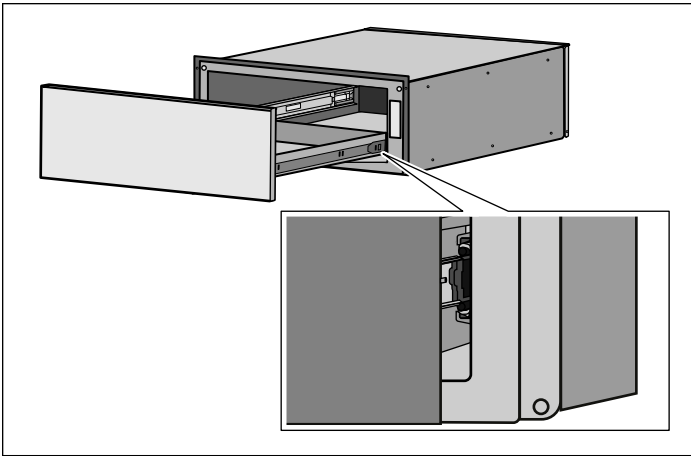
1. Sans que le tiroir ne soit en place, faites glisser le rail intérieur de la glissière jusqu'à la position de verrouillage du tiroir en poussant le rail intérieur de la glissière **vers l'arrière** jusqu'à ce qu'elle se verrouille en place.



**Remarque :** Une force modérée exercée sur le mécanisme de verrouillage du porteur à billes noir en plastique est requise pour placer la glissière dans la position de verrouillage du tiroir. Le tiroir est verrouillé lorsqu'il demeure en place et ne revient pas automatiquement en position ouverte.

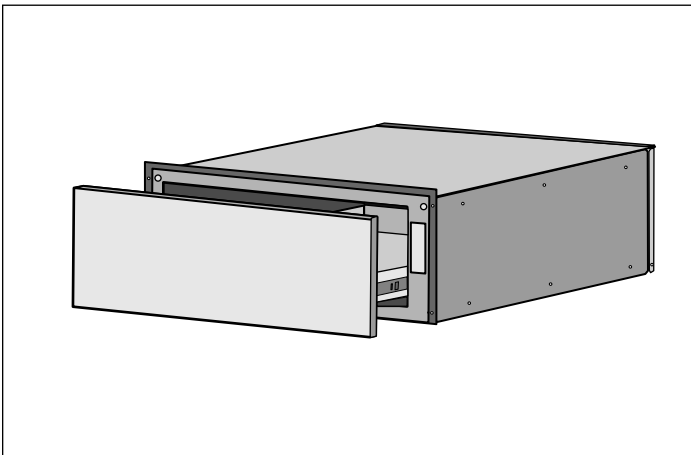


2. Placez l'assemblage du tiroir devant l'assemblage du compartiment et alignez le rail (bout en plastique du rail) avec l'assemblage du porteur à roulement à billes. Tout en gardant l'assemblage du tiroir droit et au niveau par rapport au compartiment, insérez doucement le tiroir dans l'assemblage du compartiment.



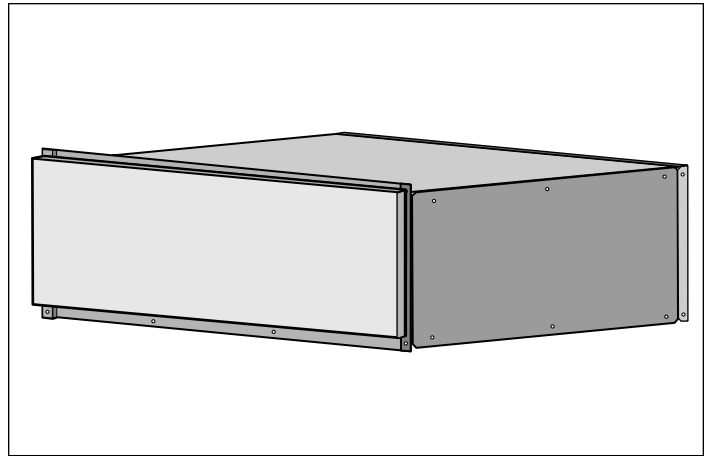
### Remarques

- Une légère secousse de gauche à droite du tiroir pourrait être nécessaire pour assurer un alignement adéquat des roulements à billes.
  - **N'oubliez pas :** Vous tentez seulement d'aligner deux ensembles de roulements à billes à cette étape de l'installation. Si une force excessive doit être utilisée pour insérer le tiroir, retirez le tiroir et répétez la procédure d'installation.
3. Continuez d'insérer le tiroir, tout en gardant le tiroir droit et au niveau par rapport au compartiment, jusqu'à ce que sentiez une légère augmentation de la résistance à l'endroit approximatif indiqué ci-dessous.

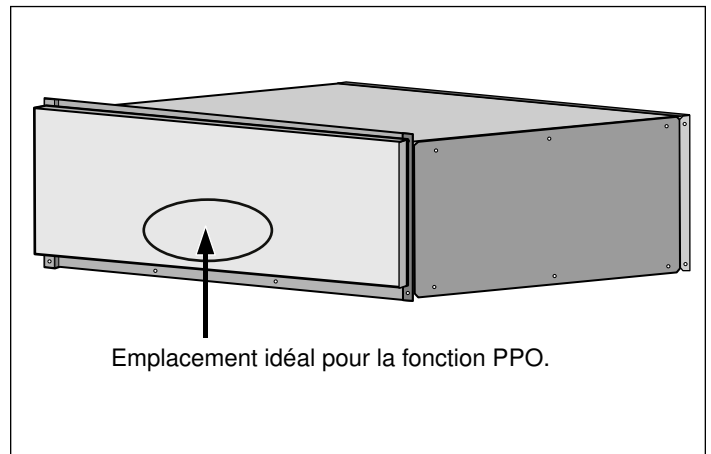


### AVIS

- Dans cette position, une légère augmentation par petits coups de la force de fermeture à appliquer au tiroir est nécessaire pour assurer un alignement optimal et un fonctionnement approprié du tiroir.
- Vous devriez entendre un déclic lorsque le tiroir est fermé de façon appropriée, ce qui signifiera que le tiroir est également verrouillé en position fermée.



4. Vérifiez le fonctionnement du tiroir PPO en poussant sur le centre de la portion inférieure de l'avant du tiroir (l'endroit optimal pour la fonction).



**Remarque :** Il est à noter que l'endroit optimal recommandé pour l'ouverture du tiroir est la portion inférieure de l'avant du tiroir. Le tiroir fonctionne lorsqu'une pression est appliquée à n'importe quel endroit sur l'avant du tiroir, mais une pression accrue pourrait être nécessaire pour activer le mécanisme d'ouverture à certains endroits.

## Pièces incluses

**Remarque :** Les pièces contenues dans la boîte carrée de tubes carrés servent aux installations avec four à micro-ondes.

## Installation avec un four à micro-ondes

1. Placez le compartiment du tiroir-réchaud devant l'armoire où il sera installé.
2. Placez le four à micro-ondes ou le four à vapeur à proximité.
3. Le tiroir-réchaud est prêt pour l'installation du four à micro-ondes.

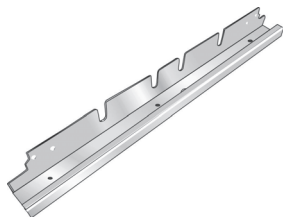
### Préparation préalable au montage

L'installation du four à micro-ondes sur le tiroir-réchaud requiert un assemblage préalable des appareils avant l'installation dans la découpe de l'armoire.

Le tiroir-réchaud de 30 po (76 cm) peut être combiné avec des fours à micro-ondes ou à cuisson rapide de 30 po (76 cm). Il ne peut être combiné avec des micro-ondes avec trousse de garnitures ou des micro-ondes de 27 po (68 cm).

### Pièces fournies

Support de raccordement universel (2) (dans la boîte de pièces).



Vis (16) (dans le sac rouge, à l'intérieur de la boîte de pièces).



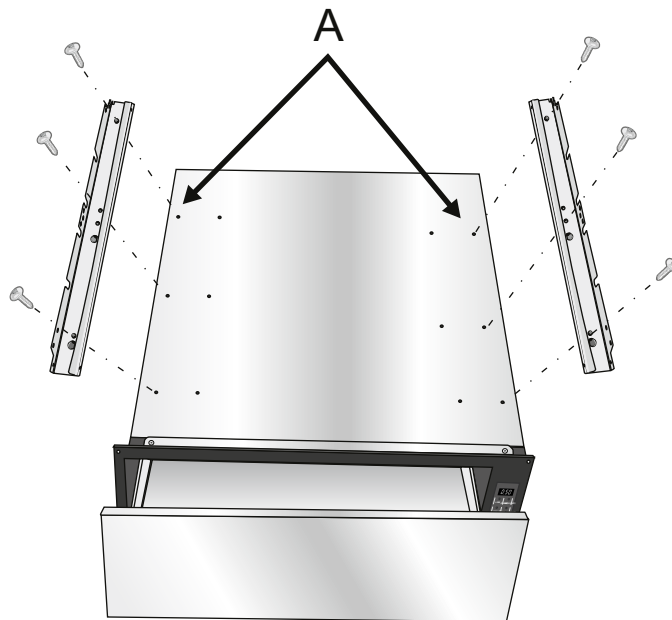
### Montage du four à micro-ondes sur le tiroir-réchaud

**Remarque :** Ne placez pas le tiroir-réchaud dans l'armoire murale avant d'avoir monté le four à micro-ondes dessus à l'aide des supports de connexion universels.

**Remarque :** Les supports de connexion universels sont interchangeables pour les côtés gauche et droit du tiroir-réchaud. Veillez à ce que le bord vertical le plus grand du support soit orienté vers l'extérieur du tiroir-réchaud.

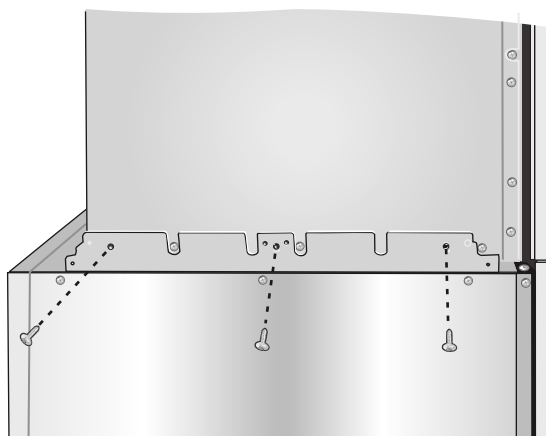
### Assembler les supports sur le tiroir-réchaud

1. Fixez les deux supports de connexion universels sur le compartiment du tiroir-réchaud en utilisant trois vis pour chaque support (A). Serrez les vis à fond, mais sans trop les serrer.



**Remarque :** Les vis existantes dans la base du four à micro-ondes facilitent l'alignement. En abaissant le four à micro-ondes pour le mettre en place sur le support de connexion universel, laissez les têtes des vis glisser dans les encoches comme illustré ci-dessous. La vis la plus proche de la face avant du four à micro-ondes glisse dans la base de la partie inclinée à l'avant du support.

Placez le four à micro-ondes sur les supports de connexion universels et fixez-le en place à l'aide de trois vis pour chaque côté insérées dans la série de trous percés sur l'extérieur. Serrez les vis à fond, mais sans trop les serrer.



2. Continuez l'installation de l'unité en se reportant à la section ci-dessous qui décrit l'installation de l'unité tiroir-réchaud et four à micro-ondes/à vapeur dans une armoire murale.

## Installation dans l'ouverture de l'armoire

1. Installez le tiroir-réchaud et le module du micro-ondes dans la découpe de l'armoire.

---

### **▲ ATTENTION**

---

Il est conseillé d'avoir deux (2) installateurs pour le module de l'appareil. Tout manquement à cette consigne pourrait occasionner des dommages matériels ou des blessures.

---

- Glissez le module dans la découpe de l'armoire jusqu'à ce que la façade de l'appareil affleure avec celle de l'armoire.
  - Fixez solidement par les trous de vis dans les cales (percez d'abord des avant-trous dans les cales au besoin). Consultez le schéma des dimensions d'installation. Fixez solidement l'appareil micro-ondes selon les directives d'installation fournies avec ces appareils.
2. Remettez le tiroir en position.
    - Assurez-vous que les rails de l'armoire sont rétractés.
    - Alignez les rails du tiroir avec ceux fixés sur le compartiment du tiroir.
    - Poussez fermement et droit sur le tiroir jusqu'à ce que le compartiment du tiroir s'enclenche en position. Le tiroir devrait s'insérer facilement. S'il infléchit, ne le forcez pas. Retirez le tiroir. Alignez les glissières du compartiment avec le bord avant et essayez de nouveau. Coulissez le tiroir dans les deux (2) glissières en même temps. Maintenez le tiroir de niveau au cours de l'insertion.
    - Le tiroir comporte un système de poussoir. Un appui sur la façade du tiroir entraîne son ouverture.
    - Ouvrez et fermez le tiroir pour vérifier son fonctionnement.

**Remarque :** S'il ne se ferme pas, vérifiez si les leviers de dégagement des rails sont bien positionnés.

3. Remettez l'alimentation électrique au boîtier à fusibles ou des disjoncteurs.
4. Mettez l'installation à l'essai.
  - Mettez le tiroir-réchaud sous tension. Le témoin lumineux et la minuterie devraient s'allumer immédiatement.
  - Vérifiez si le tiroir diffuse de la chaleur.

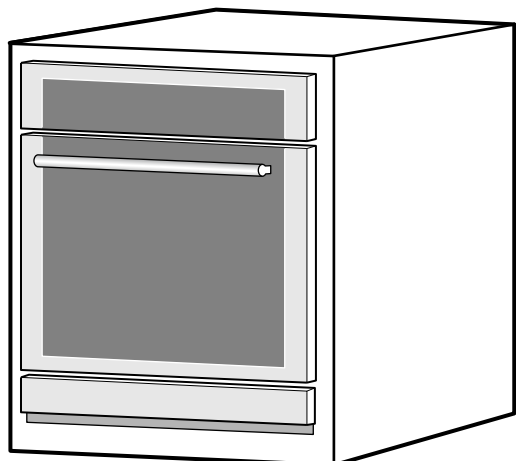


# Procédures d'installation du SDS30WC

Le tiroir de rangement **SDS30WC** est spécialement conçu pour utilisation avec les fours à vapeur **MEDS301WS** et **PODS301W**.

## Remarques

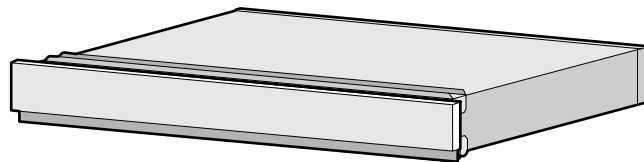
- Les dimensions de la découpe du présent manuel pour le modèle SDS30WC sont fournies uniquement à titre de référence. Consultez le guide d'installation inclus dans le four à vapeur pour connaître toutes les dimensions de l'appareil et des armoires.
- Le tiroir de rangement couplé au four à vapeur permet le remplacement d'un four mural simple standard.
- Le four à vapeur est plus court qu'un four mural standard. Le tiroir de rangement, lorsque couplé au four à vapeur, permet le remplacement direct d'un four mural simple standard.
- Le tiroir sert d'espace de rangement fonctionnel pour les plateaux et les grilles fournis avec le four à vapeur.



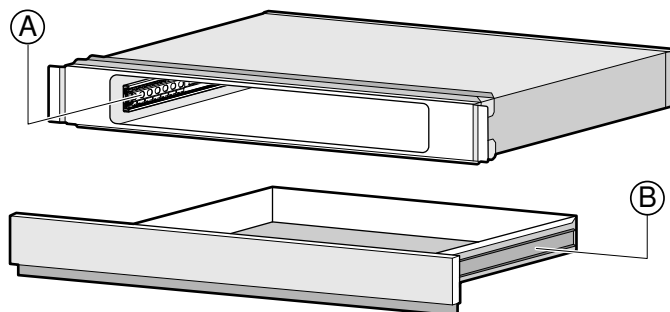
## ⚠ AVERTISSEMENT

Ne réparez, remplacez, ni ne retirez aucune partie de l'appareil, excepté si les manuels recommandent de le faire. Une installation, un entretien ou une inspection incorrects peuvent occasionner des blessures ou des dommages matériels. Reportez-vous au présent manuel pour obtenir des indications. Toute autre intervention doit être effectuée par un technicien agréé.

**AVIS :** Cet appareil comprend une glissière spéciale à roulement à billes et un mécanisme de verrouillage appelé « *Push to Open* » (PTO) ou poussoir. Cette caractéristique permet d'obtenir un modèle sans poignée et affleurant.



Deux modules à glissière pour poussoir sont installés dans cet appareil, soit un module de chaque côté. Une **glissière** est installée de chaque côté du compartiment et les **rails** correspondants sont fixés sur chaque côté du tiroir. (Un seul côté est illustré dans l'image à des fins de clarté).



A Glissière  
B Rail

Au cours de l'installation ou de réparations (ou nettoyage), il pourrait être préférable ou recommandé de retirer le tiroir de l'appareil pour simplifier ou faciliter l'installation ou l'entretien. Il faut respecter les soins particuliers et les étapes précisées pour s'assurer de ne pas endommager le mécanisme à poussoir.

## Retirer le tiroir de son compartiment

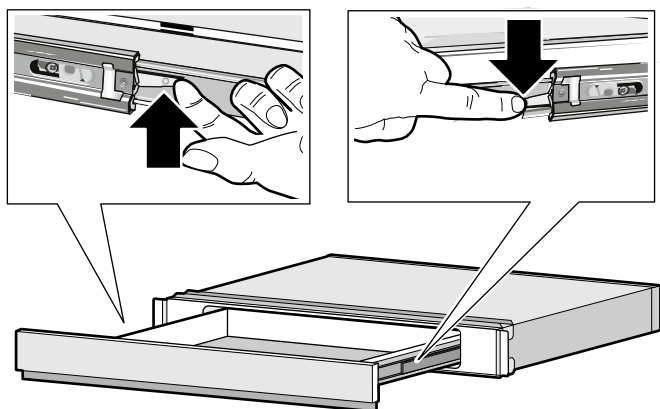
### ⚠ ATTENTION

Certaines surfaces cachées peuvent avoir des rebords tranchants. Redoublez de vigilance quand vous passez la main derrière, autour ou sous l'appareil électroménager.

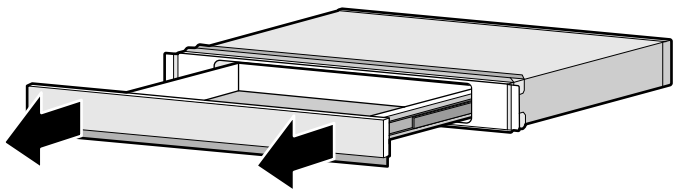
**AVIS :** Les instructions qui suivent sont celles recommandées par le fabricant pour retirer et installer le tiroir de façon à réduire le risque d'endommager le mécanisme PPO.

#### 1. Retirez le tiroir de son compartiment.

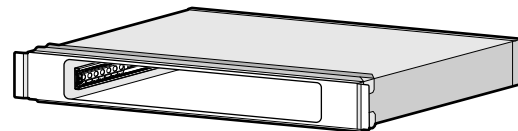
- Actionnez le poussoir en appuyant sur la façade du tiroir. Le tiroir ouvrira d'environ 4 pouces (10 cm).
- Tirez sur le tiroir jusqu'à son ouverture complète.
- Appuyez sur le levier de dégagement du tiroir à droite.
- Relevez le levier de dégagement du tiroir à gauche.
- Tirez droit et fermement sur le tiroir.
- Rentez les rails de l'armoire une fois le tiroir retiré.



- #### 2. Saisissez les deux côtés du tiroir et tirez droit et vers vous (de niveau), retirez délicatement le compartiment du tiroir. Cette étape pourrait nécessiter une force légère à modérée pour retirer complètement le tiroir.

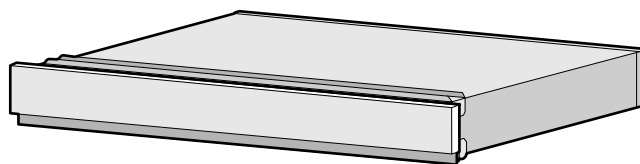


- #### 3. Installez ou procédez à la réparation (ou nettoyage) du compartiment sans le tiroir.

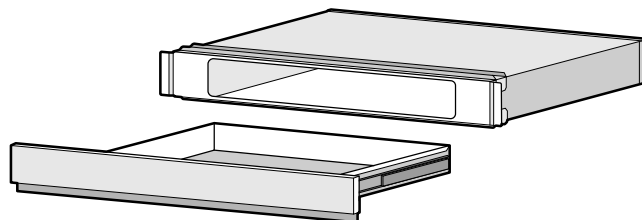


### Préparation du tiroir de rangement pour installation

Retirez le tiroir de rangement de son emballage. Déposez-le sur une surface solide comme une table ou un établi. Prenez soin de protéger le plan de travail en préparant l'installation du tiroir de rangement. À cet effet, utilisez l'emballage de carton ou une autre protection convenable.

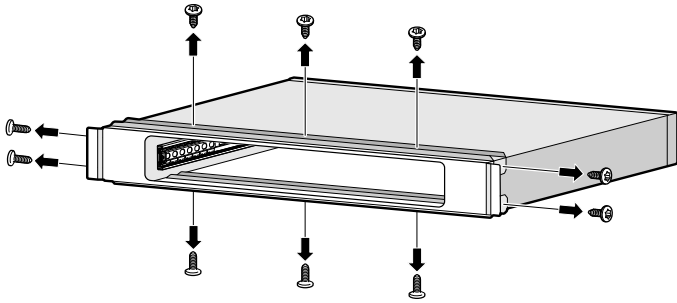


Une fois l'appareil correctement positionné sur un plan de travail préparé, retirez le tiroir de l'appareil. Déposez le tiroir sur le côté en prenant soin de protéger les surfaces d'acier inoxydable de tout dommage.

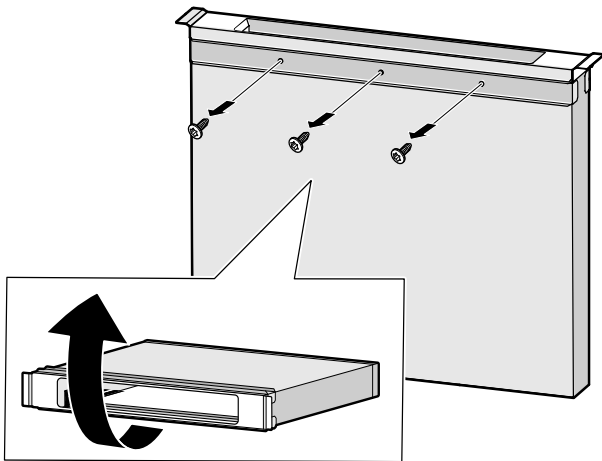


## Retrait des équerres de fixation d'expédition

Dévissez les dix (10) vis qui fixent les équerres d'expédition au compartiment.



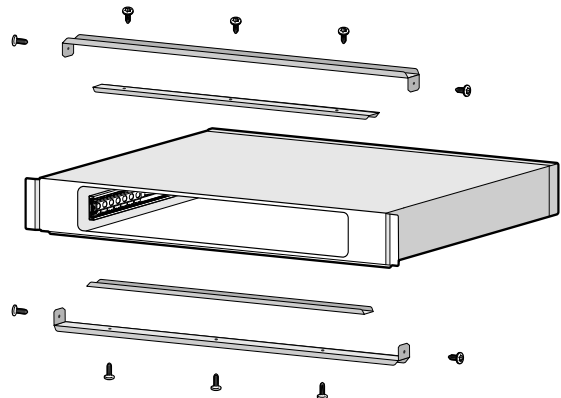
Il est possible d'accéder aux vis de l'équerre inférieure en tournant le compartiment sur son extrémité ou en le glissant vers l'avant sur la surface de la table pour accéder aux vis et à l'équerre inférieures.



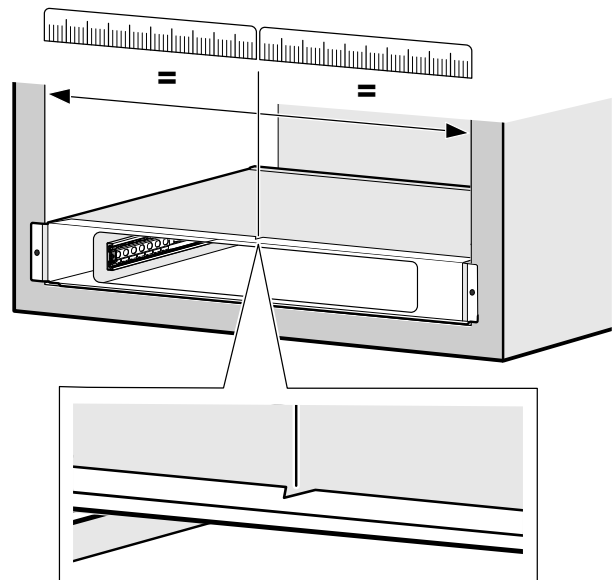
Il faudra peut-être exercer une force modérée pour dégager l'équerre supérieur et l'équerre inférieur des côtés du compartiment puisque les vis ont tendance à déformer les trous, faisant plier légèrement les équerres.

**Remarque :** Prenez soin de protéger la façade ou les garnitures latérales en acier inoxydable ou d'éviter de les égratigner.

Jetez les deux équerres d'expédition internes et externes et les dix (10) vis qui les accompagnaient. Elles ne sont plus nécessaires pour le reste de l'installation.

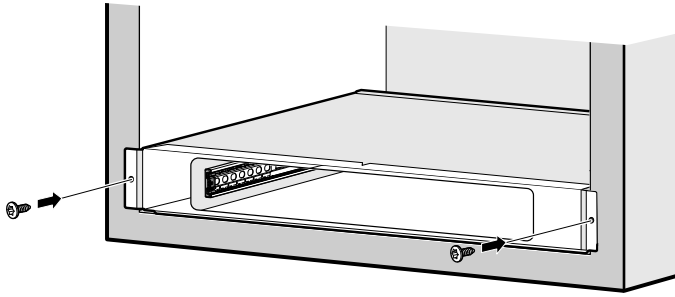


Glissez le compartiment dans l'ouverture de l'armoire jusqu'à ce que les garnitures latérales touchent la façade de l'armoire. Vous verrez une encoche en V sur la face supérieure de la façade d'acier inoxydable pour aider à aligner le compartiment dans l'ouverture de l'armoire. Mesurez l'ouverture de l'armoire. Ajustez le compartiment du tiroir de rangement en alignant l'encoche en V bien au centre de l'ouverture. Le compartiment sera alors bien centré.



Une fois le tiroir de rangement aligné avec l'ouverture de l'armoire, vissez les deux (2) vis fournies pour fixer solidement le compartiment à l'armoire.

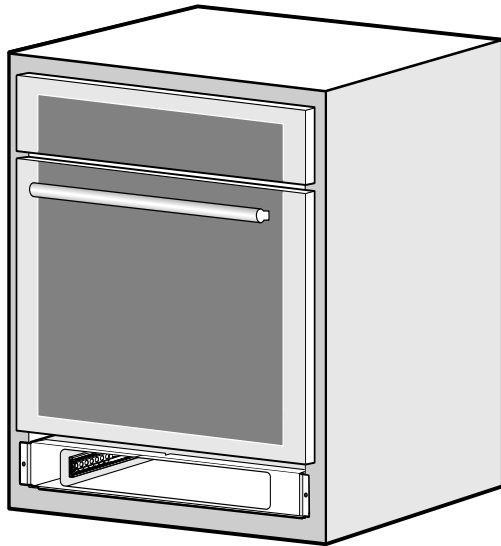
Avec le tiroir complètement ouvert, percez des avant-trous dans la bague latérale avec une mèche à bois de 1/8 po (3,175 mm) avant l'installation du four à vapeur ou du tiroir.



### Installation du four à vapeur au-dessus du tiroir de rangement

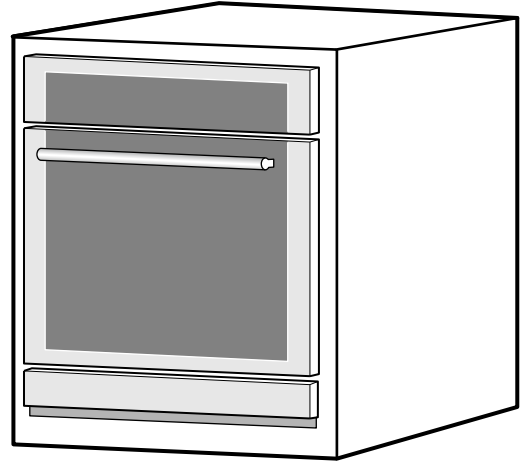
**Remarque :** Installer le tiroir avant le four à vapeur risque d'égratigner la surface du tiroir.

Le four à vapeur **doit** être installé au-dessus du tiroir de rangement avant de remettre le tiroir dans son compartiment. Glissez le four à vapeur directement au-dessus du compartiment du tiroir de rangement jusqu'à ce qu'il affleure avec l'armoire.



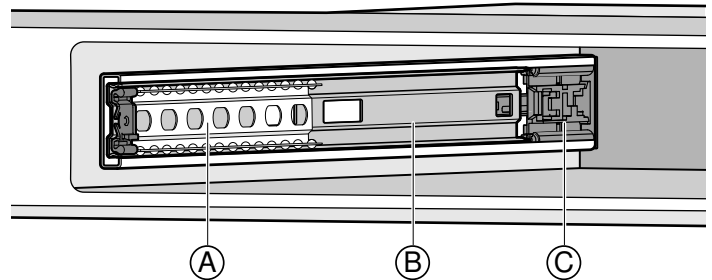
Consultez le guide d'installation de l'appareil livré avec le four à vapeur pour connaître tous les détails concernant les directives d'installation.

Réinsérez le tiroir de rangement dans son compartiment.



### Installation du tiroir dans le compartiment

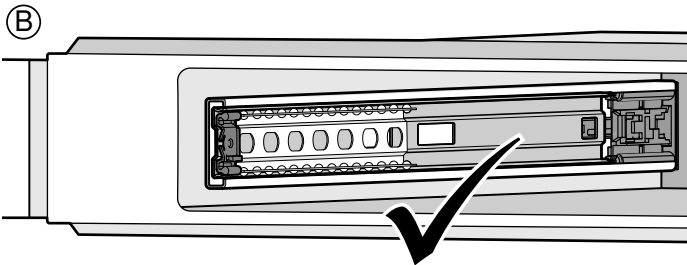
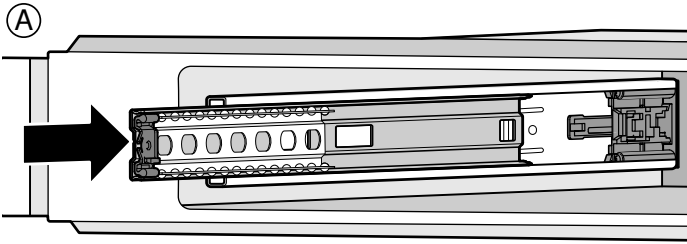
Les glissières fixées sur chaque côté du compartiment possèdent deux pièces mobiles : un rail intérieur et un porteur à roulement à billes qui doivent être placés de façon appropriée pour une installation et un alignement adéquats.



Un mécanisme de verrouillage visible se trouve également à l'arrière de chaque glissière.

- A Porteur à roulement à billes
- B Rail interne de la glissière
- C Mécanisme de verrouillage

1. Pour une installation correcte, le rail interne de la glissière doit être en position verrouillée. Sans le tiroir, faites glisser le rail intérieur de la glissière jusqu'à la position de verrouillage du tiroir en le poussant **vers l'arrière** jusqu'à ce qu'il se verrouille en place. Il ne doit pas rebondir en position ouverte.

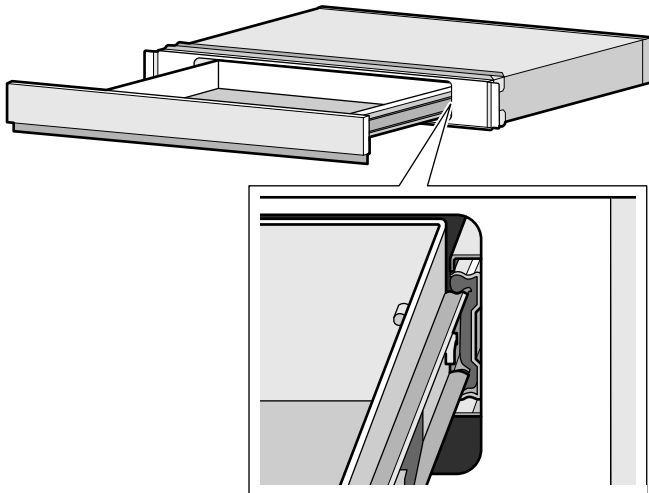


A Rail interne de la glissière

B Mécanisme de verrouillage

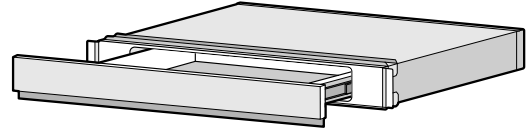
**Remarque :** Une force modérée, exercée sur le mécanisme de verrouillage du porteur à roulement à billes noir en plastique, est requise pour placer la glissière dans la position de verrouillage du tiroir. Le tiroir est verrouillé lorsqu'il demeure en place et ne revient pas automatiquement en position ouverte.

2. Placez le module du tiroir devant le module du compartiment et alignez le rail avec le module du porteur à roulement à billes. Tout en gardant le module du tiroir droit et de niveau par rapport au compartiment, insérez-le délicatement dans le module du compartiment.



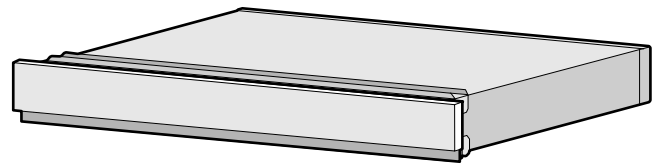
### Remarques

- Pour assurer un alignement adéquat des roulements à billes, une légère secousse de gauche à droite du tiroir pourrait être nécessaire.
  - **N'oubliez pas :** Vous tentez seulement d'aligner deux modules de roulements à billes à cette étape de l'installation. Si une force excessive doit être utilisée pour insérer le tiroir, retirez-le et répétez la procédure d'installation.
3. Continuez d'insérer le tiroir, tout en gardant le tiroir droit et de niveau par rapport au compartiment, jusqu'à ce que sentiez une légère augmentation de la résistance à l'endroit approximatif indiqué ci-dessous.

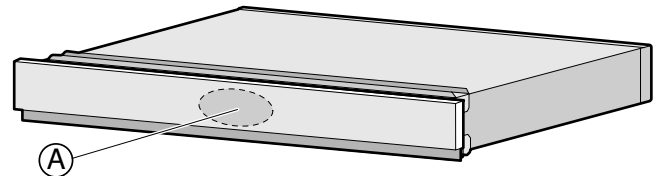


### AVIS

- Dans cette position, il faut augmenter légèrement la force, par petits incréments, pour le fermer et optimiser l'alignement et obtenir un bon fonctionnement du tiroir.
- Vous devriez entendre un déclic lorsque le tiroir est bien fermé. Le tiroir sera également verrouillé en position fermée.



4. Vérifiez le fonctionnement du tiroir à pousser en poussant sur le centre de la portion inférieure de la façade du tiroir (l'endroit optimal pour tester le poussoir). Le tiroir fonctionne lorsqu'une pression est appliquée à n'importe quel endroit sur sa façade, mais une pression accrue pourrait être nécessaire pour activer le mécanisme d'ouverture à certains endroits.



# Procédures d'installation du WD30WC

---

## ▲ ATTENTION

Ne faites jamais fonctionner un tiroir-réchaud sans la façade fixée. Vous pouvez installer une façade Thermador® ou une façade personnalisée.

---

---

## ▲ ATTENTION

NE soulever PAS le tiroir-réchaud par la poignée de la porte pour éviter d'endommager les glissières et de nuire à l'insertion correcte de la porte.

---

---

## ▲ AVERTISSEMENT

**NE PAS RÉPARER OU REMPLACER DE PIÈCES**  
Ne pas réparer ni remplacer toute pièce de l'appareil électroménager à moins que cela ne soit spécifiquement recommandé dans le manuel. L'installation, les réparations ou l'entretien inadéquats pourraient causer des blessures ou des dégâts matériels. Consulter ce manuel pour les directives d'utilisation. Toute autre réparation devrait être effectuée par un centre de réparations autorisé.

---

Il est possible d'installer la prise électrique dans la paroi arrière, directement derrière le tiroir-réchaud. La prise de courant encastrée ne doit pas être à plus de 5 1/2 pi (1,7 m) d'un côté ou de l'autre de la découpe du tiroir-réchaud. Les dégagements pour l'installation permettent d'enrouler le cordon d'alimentation excessif derrière l'appareil électroménager.

N'installez pas le tiroir-réchaud dans des emplacements mouillés ou à l'extérieur.

---

## ▲ ATTENTION

Avant l'installation, coupez l'alimentation au panneau de service. Verrouillez le panneau de service pour empêcher que l'alimentation ne soit rétablie par accident.

---

## Préparation du panneau personnalisé pour installation

Les panneaux personnalisés doivent être conformes aux exigences suivantes :

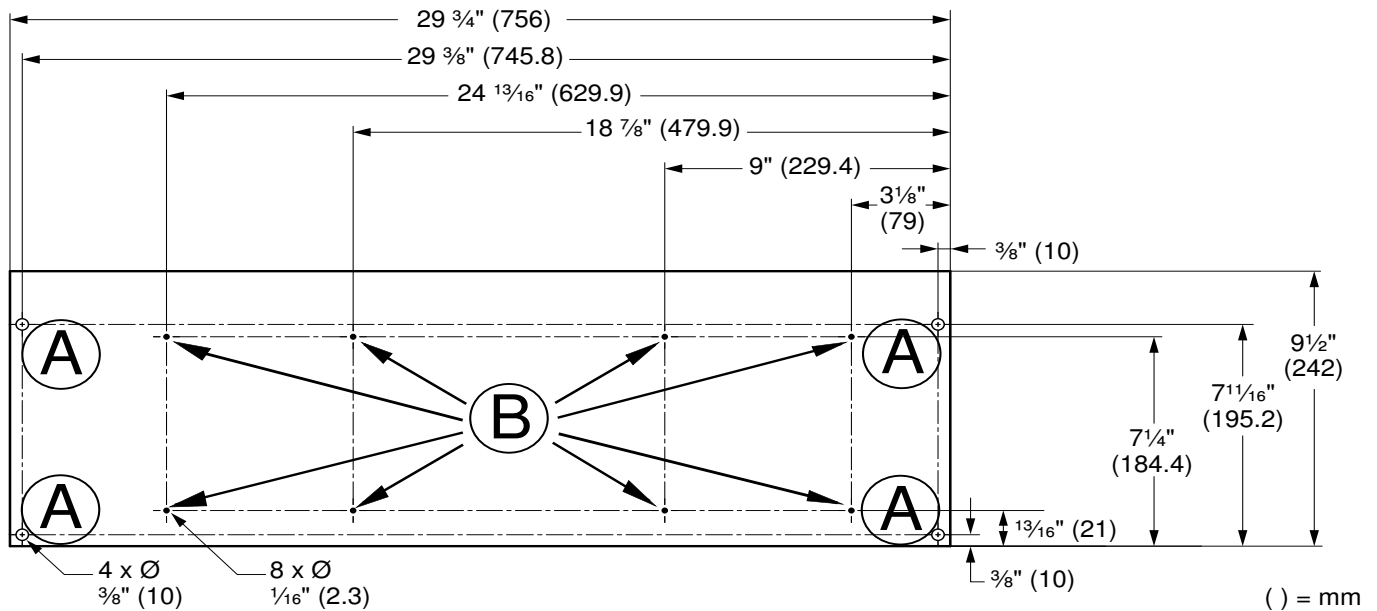
- Le panneau personnalisé est fourni par le client.
- La poignée est fournie par le client.
- Le panneau doit comporter une épaisseur d'au moins 3/4 po (19 mm).
- Tous les bords du panneau doivent être finis.
- Si le panneau est de bois, l'endos doit être scellé pour éviter les dommages causés par la moisissure.
- Le panneau doit tolérer des températures de plus de 158 °F (70 °C).

## Préparation de la façade du panneau personnalisé

1. Tracez les avant-pilotes en fonction des dimensions du diagramme du modèle ci-dessous.
2. En perçant les avant-pilotes et les trous de passage, prenez soin de ne pas traverser le panneau. Les avant-pilotes doivent être d'une profondeur maximum de 10 mm (7/16 po).
3. Les dimensions sont fournies en millimètres (pouces).
4. On recommande de fixer la poignée ou les boutons voulus avec des attaches métalliques.

## Fixation du panneau personnalisé

Une plaque de fixation déjà assemblée sur l'appareil pour la façade personnalisée du tiroir-réchaud.



**Remarque :** Le gabarit des dimensions est fourni uniquement à titre de référence. La taille du panneau est à la discrétion du client.

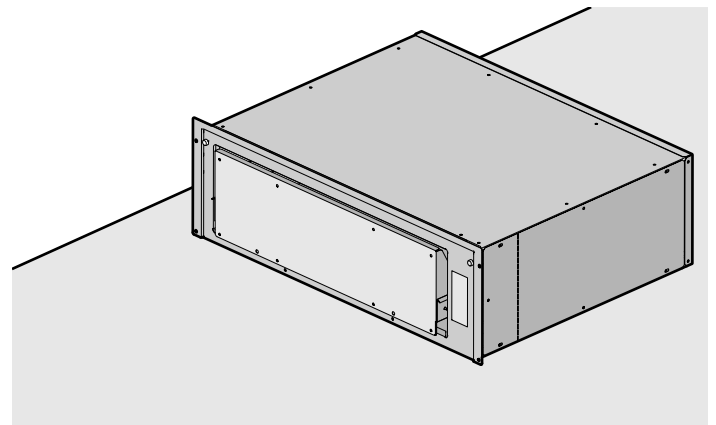
### Emplacement Qté Description

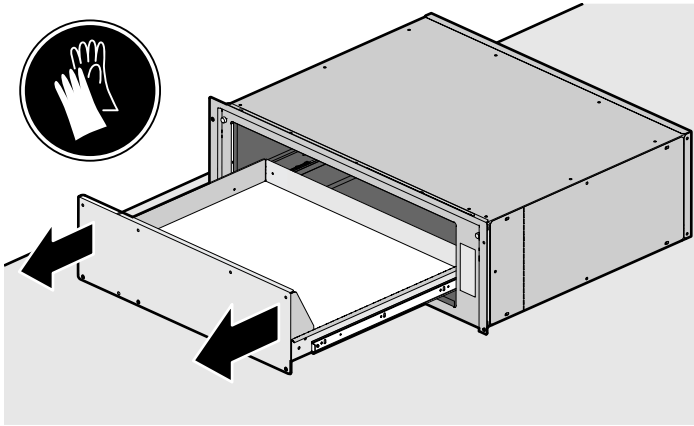
Emplacement	Qté	Description
A	4	Trous de forage dans le plan de travail de 10 mm (7/16 po) pour dégager les vis de montage (non fournies). La profondeur des trous de forage est aussi de 10 mm (7/16 po). <b>Prenez soin de ne pas percer le panneau de bord en bord.</b>
B	8	Avant-trous pour recevoir les vis de montage de 2,3 mm (1/8 po) fournies (vis autotaraudeuses 8 x 1/2 T20). La profondeur des trous de forage est de 10 mm (7/16 po). <b>Prenez soin de ne pas percer le panneau de bord en bord.</b>

### Remarques

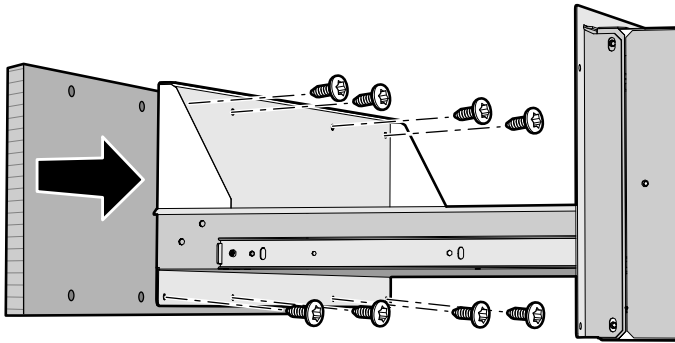
- Le poids maximum du panneau est de 8 lb (3,6 kg).
- Selon l'épaisseur des armoires standards aux États-Unis, l'épaisseur du panneau est de 19,05 mm (3/4 po).
- On recommande d'utiliser des attaches métalliques.
- Les dimensions sont fournies en millimètres (mm).

Percez des avant-trous et des trous de passage dans le panneau de la façade personnalisée comme expliqué au chapitre **Procédures d'installation** puis procédez comme suit.

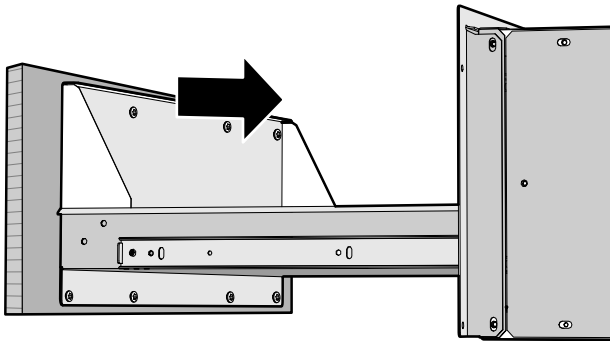




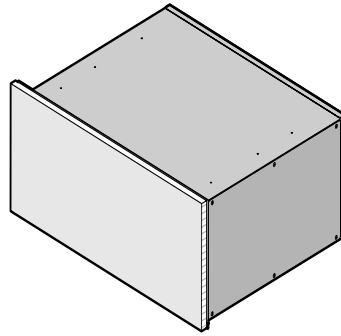
Ouvrez le tiroir au complet en saisissant les bords externes de la plaque de fixation. Assurez-vous de porter des gants pour éviter de vous couper sur les rebords de la plaque de fixation.



Fixez solidement le panneau personnalisé à la façade du tiroir avec les huit (8) vis T-20 à empreinte cruciforme no 8 x 1/2 po fournies avec l'appareil. Vissez les vis, mais sans trop les serrer.



Fermez le tiroir. L'installation du panneau personnalisé à la plaque de fixation est maintenant terminée.



Poursuivez avec les armoires comme décrit au chapitre des **Procédures d'installation**.

### Liste de vérification finale de l'installation

- Dégagements spécifiés maintenus avec les surfaces des armoires.
- Poignée de tiroir de niveau et centrée.
- Ouverture et fermeture du tiroir sans entraves.
- Appareil de niveau.
- Tout matériel d'emballage retiré.
- Prise de courant avec protection de surtension fournie pour le branchement du cordon d'alimentation.
- Connexion de mise à la terre appropriée.
- Le propriétaire sait où se trouve le disjoncteur principal.



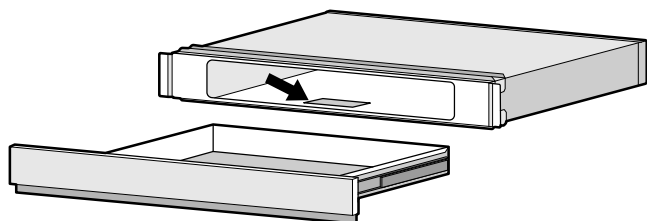
# Dépannage

Si des éléments ou les témoins du tiroir-réchaud ne s'allument pas, vérifiez la source d'alimentation pour voir si le disjoncteur n'a pas été déclenché.

## Plaque signalétique

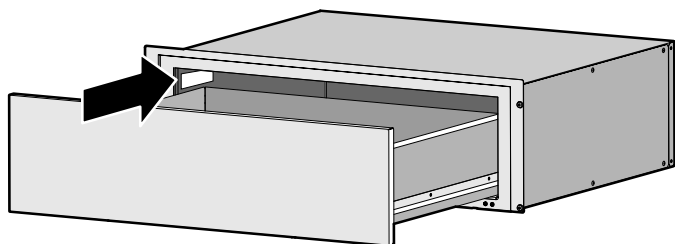
### Modèle SDS30WC

Consultez la plaque d'identification du tiroir de rangement pour faire une demande de réparations ou pour communiquer avec le Service après-vente pour de l'aide. La plaque d'identification est visible au fond du compartiment du tiroir pour le tiroir de rangement **SDS30WC**. Il pourra être nécessaire d'enlever le tiroir pour l'apercevoir.



Localisation de la plaque d'identification **SDS30WC**

La plaque d'identification du tiroir de rangement SD30WC est localisée du côté gauche, à l'intérieur du compartiment.

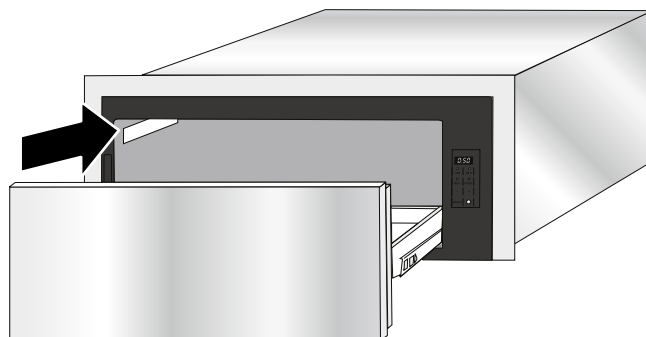


Localisation de la plaque d'identification **SD30WC**

## Plaque signalétique-WD30W ET WD30WC

### Modèles SD30WC, WD30WC, WD30W

Consultez la plaque signalétique de l'appareil pour faire une demande de réparations ou pour communiquer avec le Service après-vente pour de l'aide. La plaque signalétique est visible sur le côté gauche du compartiment du tiroir.



## Numéro de modèle et numéro FD

Les numéros de modèle et FD de l'appareil électroménager figurent sur la plaque d'identification ou signalétique. Prenez ces numéros en note dans l'espace ci-dessous pour économiser du temps, au cas où l'appareil électroménager aurait besoin de réparations.

No de modèle	No FD
Soutien à la clientèle Thermador	800-735-4328

Conservez votre facture ou votre contrat aux fins de validation de garantie si jamais vous avez besoin d'une réparation.

---

# Soutien THERMADOR®

## Dépannage

Nous sommes conscients que vous avez investi des sommes considérables dans votre cuisine. Nous nous engageons à vous offrir, ainsi qu'à votre appareil, un service de dépannage qui vous permettra de profiter de votre cuisine pendant de nombreuses années.

N'hésitez pas à communiquer avec notre service à la clientèle STAR® si vous avez des questions ou dans l'éventualité peu probable où votre appareil THERMADOR® nécessiterait de l'entretien. Notre équipe de dépannage se fera un plaisir de vous aider.

### États-Unis

800-735-4328

[www.thermador.com/support](http://www.thermador.com/support)

### Canada

800-735-4328

[www.thermador.ca](http://www.thermador.ca)

## Pièces et accessoires

Pour vous procurer des pièces, des filtres, du détartrant, des produits nettoyants pour l'acier inoxydable et autres, rendez-vous sur la boutique en ligne THERMADOR® ou communiquez avec nous par téléphone.

### États-Unis

<http://store.thermador.com/us>

### Canada

- Si vous résidez dans les provinces de l'Atlantique, en Ontario ou au Québec, communiquer avec :

#### Marcone

1.800-287-1627

- Si vous résidez dans un territoire, au Manitoba, en Saskatchewan, en Alberta ou en Colombie-Britannique, communiquer avec :

#### Reliable Parts

800-663-6060

# ÍNDICE

---

<b>⚠ Definiciones de seguridad .....</b>	<b>44</b>	<b>Servicio técnico .....</b>	<b>61</b>
<b>INSTRUCCIONES DE SEGURIDAD IMPORTANTES ...</b>	<b>45</b>	Placa de características .....	61
Seguridad de manejo del electrodoméstico .....	45	Placa de señalización del WD30W y WD30WC .....	61
Códigos y normas de seguridad .....	45	Número de modelo y número FD .....	61
Seguridad eléctrica .....	45	<b>Soporte técnico de THERMADOR® .....</b>	<b>62</b>
Seguridad del equipo relacionado .....	46	Servicio técnico .....	62
Advertencia en virtud de la Proposición 65 del estado de California: .....	46	Piezas y accesorios .....	62
<b>Antes de empezar .....</b>	<b>47</b>		
Herramientas y piezas necesarias .....	47		
Piezas incluidas .....	47		
Requisitos de potencia y de conexión a tierra .....	47		
<b>Preparación de los muebles de montaje .....</b>	<b>47</b>		
Información sobre el gabinete y la abertura .....	47		
Dimensiones de la unidad SDS30WC .....	47		
Dimensiones de la unidad y del gabinete de WD30W / WD30WC / SD30WC .....	47		
<b>Procedimiento de instalación de WD30WC, SD30WC .....</b>	<b>48</b>		
Extraer el cajón de la carcasa .....	49		
Montar el cajón en la carcasa .....	49		
Piezas incluidas .....	51		
Instalar con microondas .....	51		
<b>Procedimiento de instalación de SDS30WC .....</b>	<b>53</b>		
Extraer el cajón de la carcasa .....	54		
Preparar el cajón de almacenamiento para la instalación .....	54		
Retirar los soportes de transporte .....	55		
Instalar el horno de cocción al vapor encima del cajón de almacenamiento .....	56		
Instalar el cajón en la carcasa .....	56		
<b>Procedimiento de instalación de WD30W .....</b>	<b>58</b>		
Preparar el panel a la medida para la instalación .....	58		
Fijar el panel a la medida .....	59		
Lista de comprobación final de la instalación .....	60		

*Este electrodoméstico de THERMADOR*

es hecho por  
BSH Home Appliances Corporation  
1901 Main Street, Suite 600  
Irvine, CA 92614

---

*¿Preguntas?*

1-800-735-4328

www.thermador.com

*¡Con gusto lo atenderemos!*

---

## **Definiciones de seguridad**

---

### **ADVERTENCIA**

Esto indica que pueden producirse heridas graves o incluso la muerte si no se cumple con esta advertencia.

---

---

### **ATENCION**

Esto indica que pueden producirse heridas leves o moderadas si no se cumple con esta advertencia.

---

**AVISO:** Esto indica que pueden producirse daños en el aparato o en los bienes si no se cumple con este aviso.

**Nota:** Esto alerta sobre información o sugerencias importantes.

# INSTRUCCIONES DE SEGURIDAD IMPORTANTES

## LEA Y CONSERVE ESTAS INSTRUCCIONES

**IMPORTANTE:** CONSERVAR ESTAS INSTRUCCIONES PARA QUE LAS USE EL INSPECTOR DE ELECTRICIDAD LOCAL.

**INSTALADOR:** DEJAR ESTAS INSTRUCCIONES JUNTO A LA UNIDAD PARA EL PROPIETARIO.

**PROPIETARIO:** CONSERVAR ESTAS INSTRUCCIONES PARA REFERENCIA FUTURA.

---

### ADVERTENCIA

Su nuevo electrodoméstico ha sido diseñado para ser seguro y confiable si recibe el cuidado adecuado. Leer atentamente todas las instrucciones antes de usarlo. Estas precauciones reducirán el riesgo de quemaduras, descarga eléctrica, incendio y heridas a personas. A la hora de utilizar electrodomésticos de cocina se deben tomar precauciones de seguridad básicas, incluidas las que se encuentran en las páginas siguientes.

---

### ADVERTENCIA

No reparar, sustituir ni quitar ninguna pieza del electrodoméstico a menos que se recomiende de forma específica en los manuales. Una instalación, servicio o mantenimiento inadecuados pueden causar lesiones o daños materiales. Consultar este manual para recibir ayuda. Todos los demás servicios debe realizarlos un agente autorizado.

## Seguridad de manejo del electrodoméstico

Las superficies ocultas pueden tener bordes filosos. Proceda con cuidado al intentar tomar el electrodoméstico por la parte trasera o desde abajo.

Es necesaria una supervisión cuidadosa cuando los niños usan el electrodoméstico o están cerca de él.

No tocar las superficies calientes. Usar guantes o jaladeras.

El uso de accesorios no recomendados por el proveedor del electrodoméstico puede ocasionar lesiones.

No utilizarlo en exteriores.

No colocarlo sobre o cerca de un quemador de gas o eléctrico caliente ni dentro un horno caliente.

No usar el electrodoméstico para ningún otro propósito diferente al indicado.

Tener especial cuidado al mover un electrodoméstico que contenga aceite u otros líquidos calientes.

Para reducir el riesgo de incendio no colocar ningún electrodoméstico calefactor ni de cocción debajo del electrodoméstico.

Para reducir el riesgo de incendio no montar la unidad sobre ni cerca de ninguna zona de un electrodoméstico calefactor o de cocción.

Para reducir el riesgo de descarga eléctrica no montarlo sobre un fregadero.

Para reducir el riesgo de incendio no colocar nada directamente encima de la superficie del electrodoméstico cuando esté en funcionamiento.

Para reducir el riesgo de incendio no almacenar nada en el cajón calentaplatos (tales como verduras, bolsas, etc.) que puedan prenderse si el cajón se enciende.

## Códigos y normas de seguridad

Este electrodoméstico cumple con la última versión de una o varias de las siguientes normas:

- UL 1026: electrodoméstico eléctrico de cocción y para servir comida
- CSA-C22.2 n.º 64: electrodoméstico de cocción y de calentamiento de líquidos

Es responsabilidad del propietario y del instalador determinar si se aplican otros requisitos o normas en instalaciones específicas.

## Seguridad eléctrica

---

### ADVERTENCIA

Antes de enchufar un cable eléctrico o activar el suministro eléctrico, asegurarse de que todos los controles están en la posición OFF.

No dejar que el cable de alimentación cuelgue sobre el borde de la mesa o cubierta ni que toque superficies calientes.

Siempre conectar primero el enchufe al electrodoméstico y luego conectar el cable al enchufe de la pared. Para desconectar, poner en «apagado» cualquier mando y después extraer el enchufe de la toma de la pared.

No poner en funcionamiento ningún electrodoméstico con un cable o enchufe dañado ni después de que el electrodoméstico presente un mal funcionamiento o si el electrodoméstico se ha dañado de cualquier otra forma. No es seguro poner en funcionamiento ningún electrodoméstico que tenga un cable o el enchufe

# ⚠ INSTRUCCIONES DE SEGURIDAD IMPORTANTES

## LEA Y CONSERVE ESTAS INSTRUCCIONES

dañado. Si el electrodoméstico se ha dañado o no funciona correctamente, desconectarlo con seguridad del suministro de alimentación eléctrica y después ponerse en contacto de inmediato con un técnico cualificado de electrodomésticos para que revise el producto.

Para protegerse contra una descarga eléctrica no sumergir el cable, los enchufes ni ninguna otra pieza eléctrica en agua u otros líquidos.

Para aquellos electrodomésticos provistos de cable y enchufe, no cortar ni retirar la pata de conexión a tierra. Esta debe estar enchufada en un receptáculo adecuado de conexión a tierra para evitar descargas eléctricas. Si se tienen dudas acerca de si el enchufe de la pared tiene una conexión a tierra adecuada, el cliente debería pedirle a un electricista calificado que lo compruebe. NO USAR un adaptador ni un alargador.

Si el Código Nacional Eléctrico (o el Código Eléctrico Canadiense) así lo exige, este electrodoméstico debe instalarse en un circuito dedicado por separado.

Instalador: mostrar al propietario la ubicación del breaker o del fusible. Marcarla para recordarla más fácilmente.

---

### ADVERTENCIA

---

Antes de realizar el montaje, desconectar la alimentación eléctrica en el panel de servicio. Bloquear el panel de servicio para impedir que se conecte accidentalmente la alimentación eléctrica.

---

Para obtener más información consultar la placa de características. Consultar «Placa de características» en el apartado de **Servicio técnico** para saber dónde está ubicada. Para obtener más información consultar la placa de características.

Asegúrese de que el electrodoméstico sea correctamente instalado y conectado a tierra por un técnico calificado. La instalación, las conexiones eléctricas y la conexión a tierra deben cumplir con todos los códigos correspondientes.

### Seguridad del equipo relacionado

Retirar toda la cinta y el embalaje antes de usar el electrodoméstico. Desechar o reciclar el material de embalaje de forma acorde con las normas locales tras desempaquetar el electrodoméstico.

No modificar ni alterar la estructura del electrodoméstico. Por ejemplo, no retirar paneles ni cubiertas.

---

### ATENCIÓN

---

En el caso de unidades con paneles de cristal, tener cuidado al manejarlos para evitar que se rompan. El cristal roto puede causar una lesión tipo laceración.

---

---

### ATENCIÓN

---

Se recomienda contar con dos (2) instaladores para realizar el montaje de la unidad. No hacerlo puede causar daños materiales o lesiones personales.

---

INFORMACIÓN IMPORTANTE DE SEGURIDAD: la Ley de aplicación de líquidos potables y tóxicos exige que el gobernador de California publique una lista de sustancias conocidas que se sabe que provocan cáncer, defectos congénitos u otros daños reproductivos y exige a las empresas que adviertan a sus clientes de la exposición potencial a dichas sustancias.

**Guardar estas instrucciones.**

### Advertencia en virtud de la Proposición 65 del estado de California:

---

#### ADVERTENCIA

---

Este producto puede exponerlo a sustancias químicas, incluyendo cloruro de vinilo, que el estado de California sabe que provocan cáncer, defectos congénitos u otro daño reproductivo. Para obtener más información, ir a la página web: **[www.P65Warnings.ca.gov](http://www.P65Warnings.ca.gov)**.

---

# Antes de empezar

## Herramientas y piezas necesarias

- Desarmador de estrella T-20
- Cinta métrica
- Taladro con broca de (1/8")

## Piezas incluidas

Desarmadores de estrella T-20 #8 x 1/2" (6)

## Requisitos de potencia y de conexión a tierra

Especificaciones del circuito: 120 V, 15 A, 60 Hz

El enchufe debe tener la conexión a tierra adecuada de conformidad con todas las normas aplicables.

Es responsabilidad del instalador cumplir con las normas locales. Si no hay una norma local aplicable, realizar el cableado conforme a la última edición de la norma 70 del Código Nacional Eléctrico ANSI/NPFA.

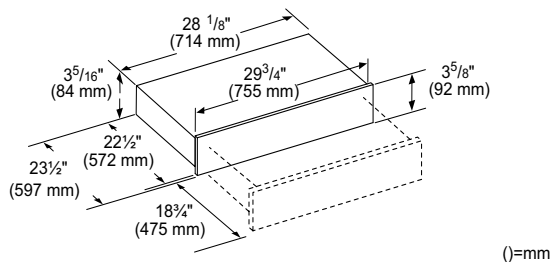
# Preparación de los muebles de montaje

## Información sobre el gabinete y la abertura

Las instrucciones se basan en gabinetes estándares (en EE. UU.) de 36" (914 mm) de altura y 24" (609 mm) de profundidad con una cubierta de 25" (635 mm). Si no se utilizan gabinetes estándares, modificar las dimensiones de forma acorde.

## Dimensiones de la unidad SDS30WC

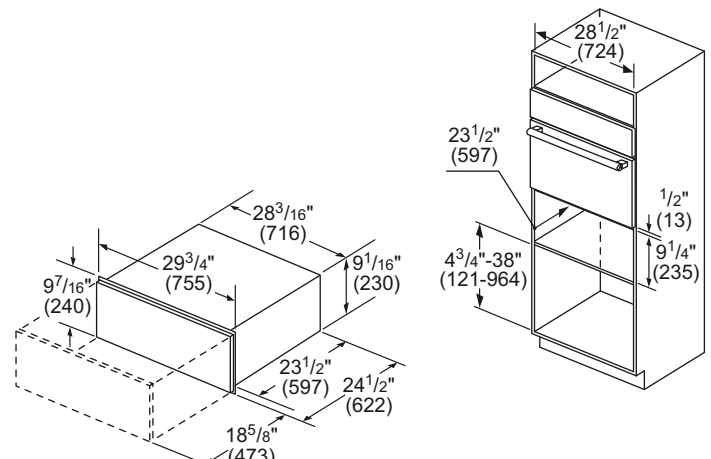
El peso máximo que soporta el cajón de almacenamiento es de 40 libras (18 kg).



## Dimensiones de la unidad y del gabinete de WD30W / WD30WC / SD30WC

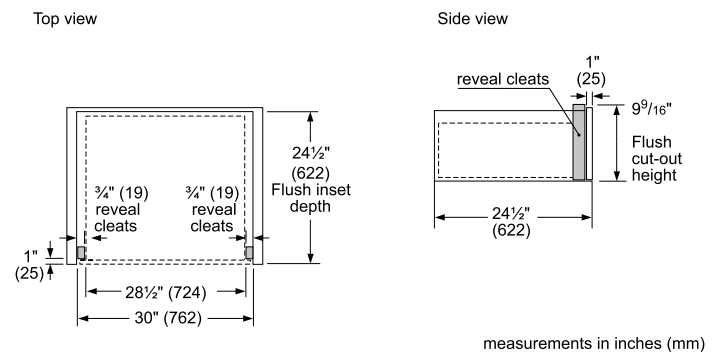
**Nota:** La longitud del cable de alimentación de los cajones calentaplatos es de 84" (2134 mm).

La base del hueco del gabinete debe poder soportar 110 libras (50 kg).



**Nota:** El dibujo acotado solo sirve como referencia. Consultar las dimensiones de la unidad y del gabinete en la guía de instalación incluida con el horno de cocción al vapor.

## Instalación enrasada



### Instalación montado a la pared

Los cajones calentaplatos de Thermador® se pueden instalar debajo de cualquier horno integrado de Thermador, simple o doble. Se recomienda dejar un espacio mínimo de 1" (25.4 mm) entre la base del horno y la parte superior del cajón calentaplatos.

### Instalación debajo de la cubierta

Los cajones calentaplatos de Thermador® también se pueden instalar debajo de cualquier placa de cocción eléctrica o cualquier parrilla de gas de la serie no profesional de Thermador®, siempre y cuando no exista contacto entre la base de la placa de cocción y la parte superior del cajón calentaplatos. Si se instala debajo de una placa de cocción de inducción de Thermador®, se debe mantener una separación para ventilación de 1" (25.4 mm) como mínimo entre la base de la placa de cocción y la parte superior del cajón calentaplatos.

Si se instala debajo de una estufa Thermador Professional®, se debe mantener una separación para ventilación de 2 3/4" (70 mm) como mínimo entre la base de la estufa y la parte superior del cajón calentaplatos.

## Procedimiento de instalación de WD30WC, SD30WC

La toma de corriente eléctrica se puede instalar en la pared trasera, justo detrás del cajón calentaplatos. Una toma eléctrica empotrada no debe superar una distancia máxima de 5 1/2 pies. (1.7 m) a ambos lados de la abertura del cajón calentaplatos. Los espacios libres en la instalación permiten enrollar el cable de alimentación sobrante detrás del aparato.

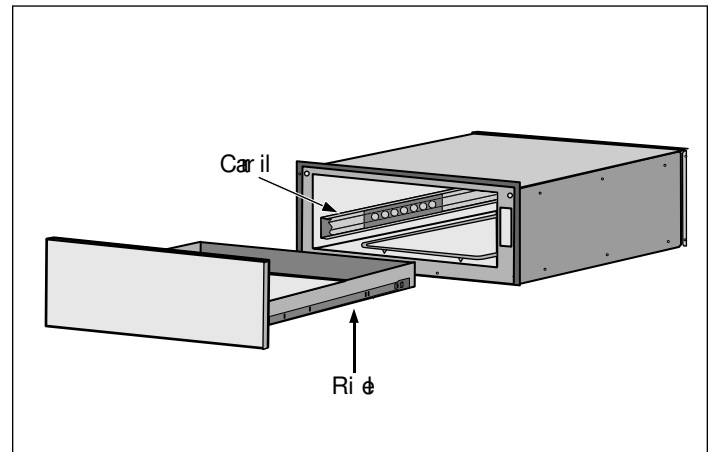
NO instalar el cajón calentaplatos en lugares húmedos o en el exterior.

Esta unidad cuenta con dos montajes de carriles PTO, uno en cada lateral. En cada lateral de la carcasa hay montado un **carril** y los **rieles** correspondientes van montados en cada lado del cajón. (En la imagen solo se muestra un lado para mayor claridad).

### ⚠ ADVERTENCIA

No reparar, sustituir ni quitar ninguna pieza del electrodoméstico a menos que se recomiende de forma específica en los manuales. Una instalación, servicio o mantenimiento inadecuados pueden causar lesiones o daños materiales. Consultar este manual para recibir ayuda. Todos los demás servicios debe realizarlos un agente autorizado.

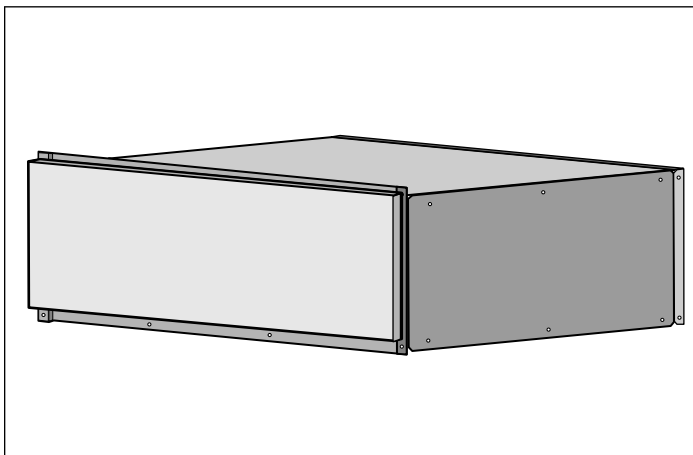
**AVISO:** Esta unidad utiliza un carril de cojinetes de bolas especial y una característica de bloqueo denominada «Empujar para abrir» (PTO, por sus siglas en inglés). Esta característica permite ofrecer un diseño sin jaladera y la opción de una instalación enrasada.



Durante el montaje o los trabajos de mantenimiento (limpieza) puede ser recomendable extraer el cajón de la unidad para simplificar el proceso y que el montaje o el mantenimiento resulte más sencillo. Se debe tener especial cuidado y seguir unos pasos concretos para garantizar que no se daña el mecanismo PTO.

### ⚠ ATENCION

Antes de realizar el montaje, desconectar la alimentación eléctrica en el panel de servicio. Bloquear el panel de servicio para impedir que se conecte accidentalmente la alimentación eléctrica.



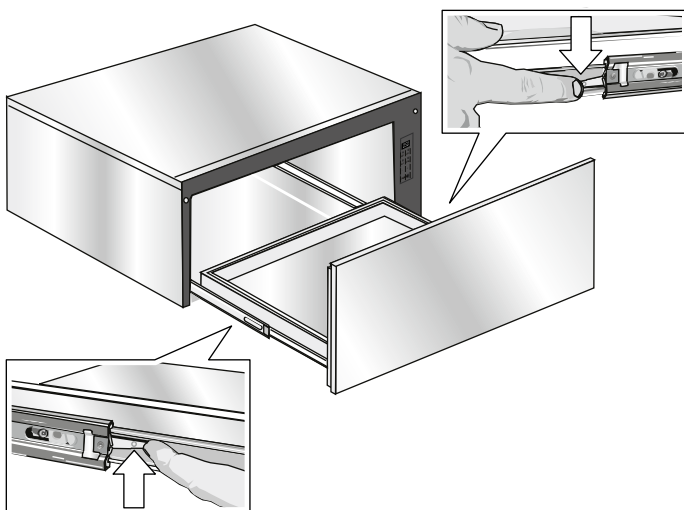


## Extraer el cajón de la carcasa

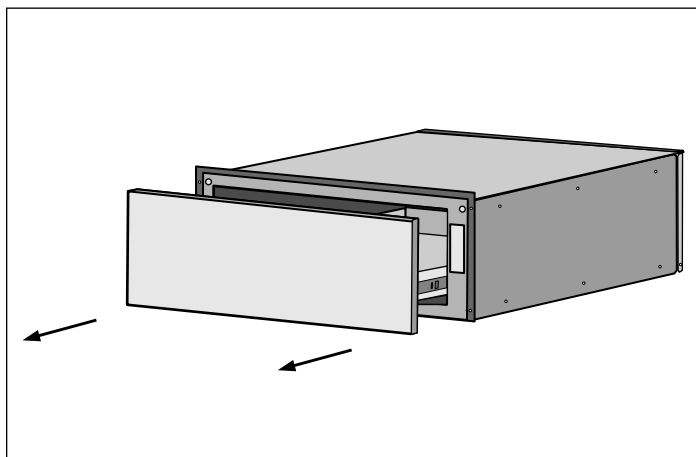
**AVISO:** Las siguientes son las recomendaciones del fabricante para extraer y montar el cajón con el fin de minimizar el riesgo de dañar el mecanismo PTO.

### 1. Extraer el cajón de la carcasa del cajón.

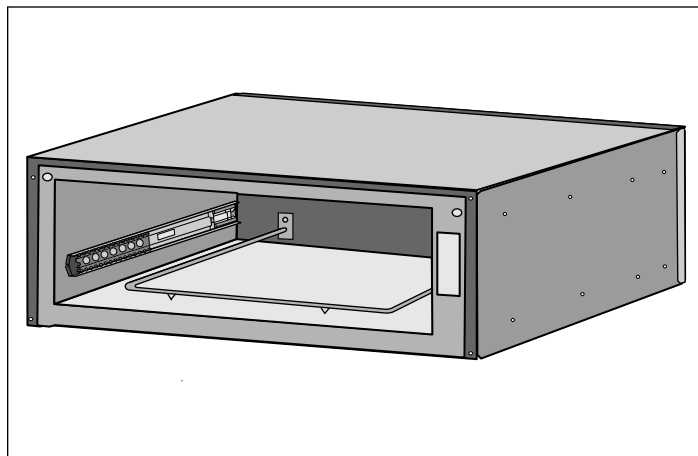
- Jalar del cajón hasta que esté totalmente abierto.
- Empujar hacia abajo la palanca derecha para soltar el cajón.
- Levantar la palanca izquierda para soltar el cajón.
- Extraer con firmeza el cajón en forma recta.
- Replegar los rieles del gabinete mientras el cajón está fuera.



### 2. Agarrar ambos lados del cajón y, jalando de forma recta y nivelada, extraer con cuidado la carcasa del cajón. Este paso puede exigir aplicar una fuerza ligera o moderada para extraer por completo el cajón.



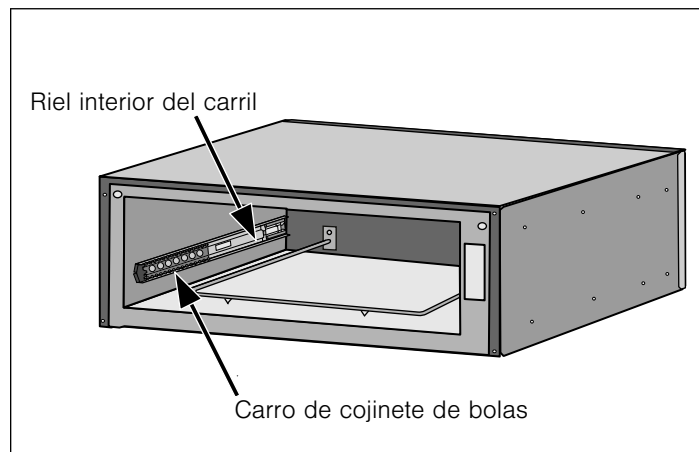
### 3. Montar o realizar el mantenimiento (limpieza) de la carcasa con el cajón sacado.



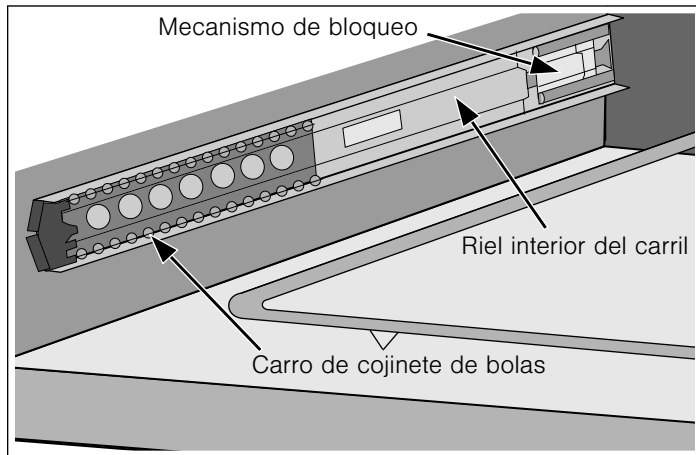
## Montar el cajón en la carcasa

Los carriles montados en cada lado de la pared de la carcasa cuentan con dos elementos móviles, un riel interior y un carro de cojinetes de bolas que necesita tener una orientación determinada para conseguir un montaje y una alineación precisa.

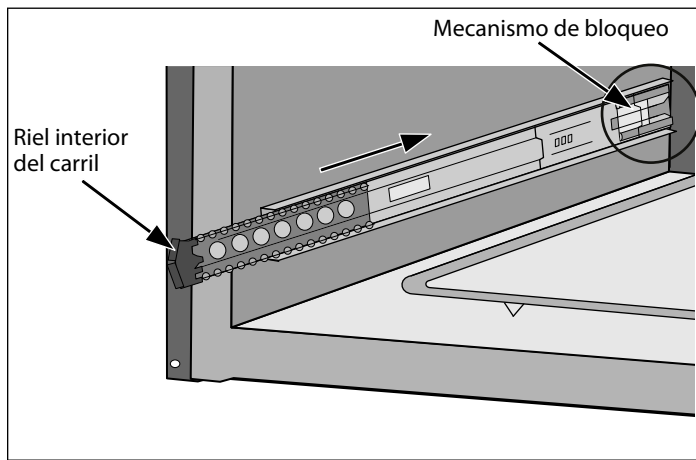
También hay un mecanismo de bloqueo visible en la parte posterior de cada carril.



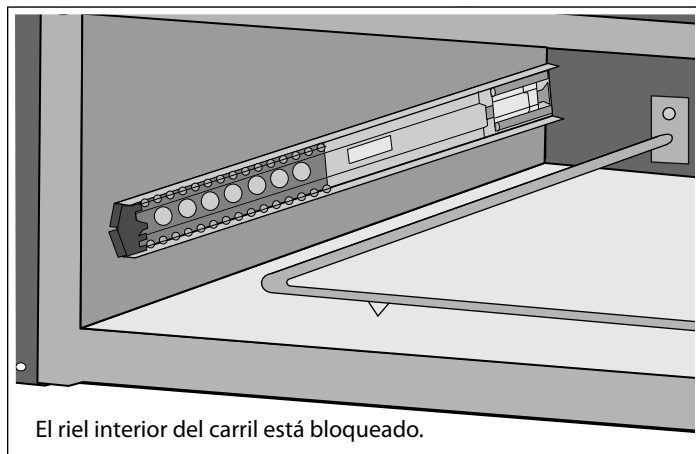
**Nota:** La carcasa del cajón calentaplatos debería corresponder totalmente con la imagen siguiente antes de iniciar el montaje. El carro de cojinete de bolas debería estar bloqueado dentro del extremo de plástico negro del riel interior en la parte frontal del riel interior.



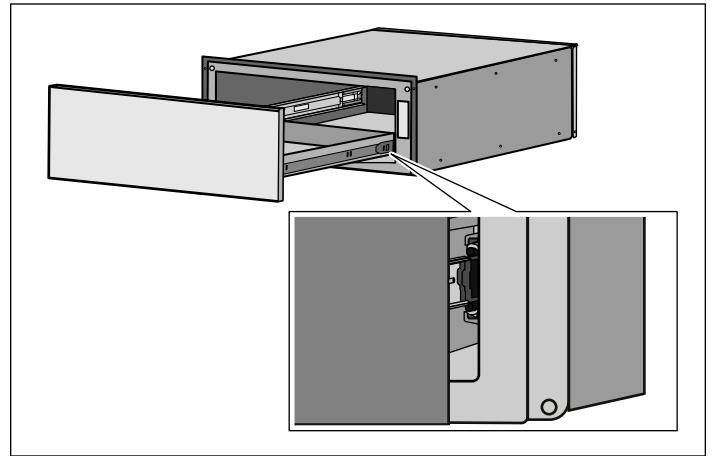
1. Una vez se ha extraído el cajón, colocar el riel interior del carril en posición de bloqueo empujando el riel interior del carril **hacia** la parte trasera de la carcasa hasta que quede bloqueado.



**Nota:** Se necesita aplicar una fuerza moderada a la hora de empujar el mecanismo de bloqueo del carro de bolas de plástico negro para fijar el carril del cajón en la posición de bloqueo. El cajón está bloqueado cuando permanece en su sitio y no salta de nuevo y se abre.

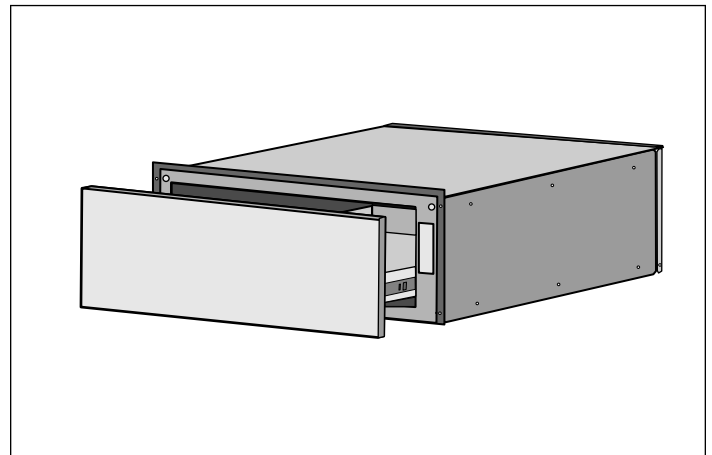


2. Colocar el cajón montado delante de la carcasa y alinear el riel (extremo del riel de plástico) con el carro de bolas del carril. Mantener el cajón equilibrado y centrado respecto a la carcasa e introducir con cuidado el cajón en la misma.



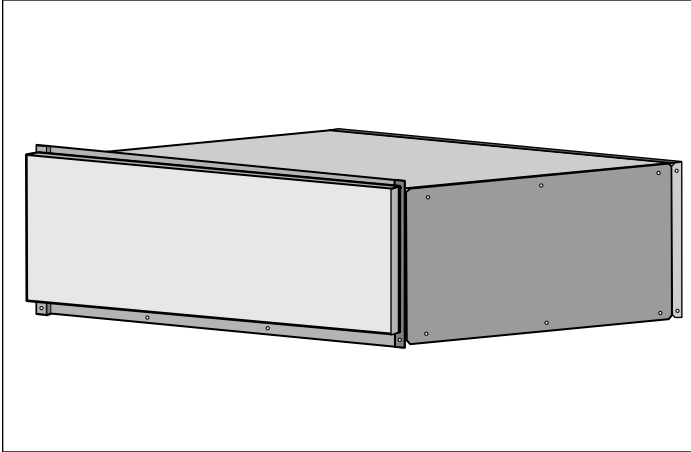
### Notas

- Puede ser necesario hacer un ligero balanceo de lado a lado para conseguir que los cojinetes de bolas se alineen de forma exacta.
  - **Recordatorio:** en este momento se está intentando alinear dos juegos de cojinetes de bolas. Si se necesita aplicar más que una fuerza moderada para introducir el cajón en este punto, extraerlo y repetir el procedimiento de montaje hasta aquí.
3. Seguir introduciendo el cajón manteniéndolo nivelado y centrado respecto a la carcasa hasta que se perciba un ligero aumento de la resistencia al aproximarse a la posición que se muestra seguidamente.

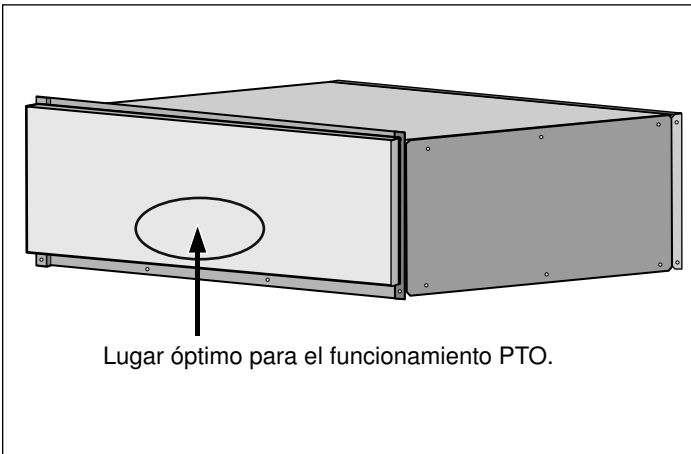


## AVISO

- Llegado a este punto se necesita aplicar una fuerza ligeramente mayor para que cierre, haciendo incrementos pequeños y repetidos de la fuerza aplicada al cajón para conseguir que este se alinee y quede listo para un funcionamiento adecuado.
- Se debería oír un «clic» cuando el cajón está correctamente cerrado, haciendo que este quede en posición de bloqueo.



4. Comprobar el funcionamiento del cajón PTO empujando la zona inferior central del frontal del cajón (lugar óptimo de funcionamiento).



**Nota:** El lugar recomendado y óptimo para abrir el cajón es la zona inferior central de la parte frontal. El cajón funcionará si se aplica una fuerza de apertura en cualquier lugar de la parte delantera del mismo, pero ello puede exigir un ligero incremento de la fuerza necesaria para abrirlo.

## Piezas incluidas

**Nota:** Las piezas incluidas en la caja de piezas de tubo cuadrado son para la instalación de microondas.

## Instalar con microondas

1. Colocar la carcasa del cajón calentaplatos frente al gabinete donde se va a instalar.
2. Colocar cerca el microondas o el horno de cocción al vapor.
3. El cajón calentaplatos está listo para que se monte el microondas.

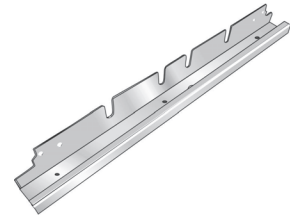
## Preparativos previos al montaje

La instalación del microondas sobre el cajón calentaplatos exige que las unidades se ensamblen antes de instalarlas en la abertura del gabinete.

El cajón calentaplatos de 30" se puede combinar con microondas/hornos rápidos interconstruidos de 30". No se puede combinar con los microondas con kit decorativo o microondas de 27".

## Piezas suministradas

Guía de conexión universal (2) (en la caja de piezas).



Tornillos (16) (en la bolsa roja, dentro de la caja de piezas).



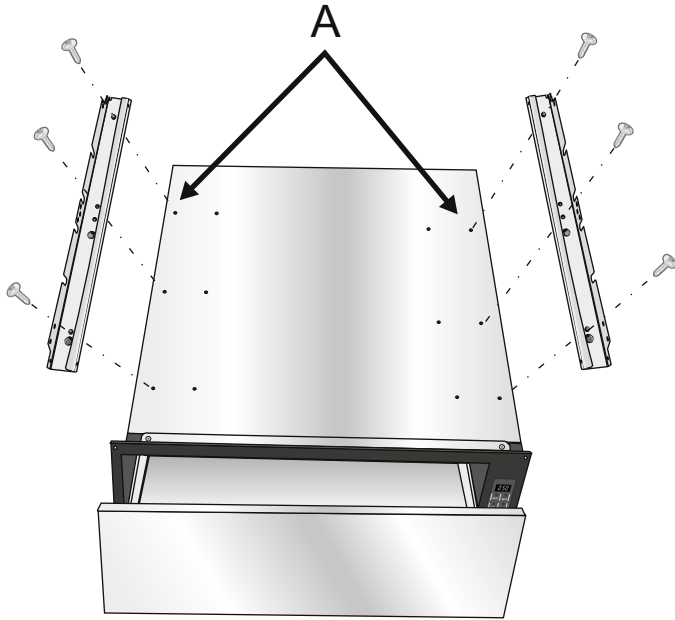
## Montar el microondas en el cajón calentaplatos

**Nota:** No colocar el cajón calentaplatos en el gabinete de pared hasta después de montar el microondas en él utilizando las guías de conexión universales.

**Nota:** Las guías de conexión universales se pueden intercambiar en los laterales derecho e izquierdo del cajón calentaplatos. Comprobar que el borde vertical más alto de la guía quede colocado hacia la parte exterior del cajón calentaplatos.

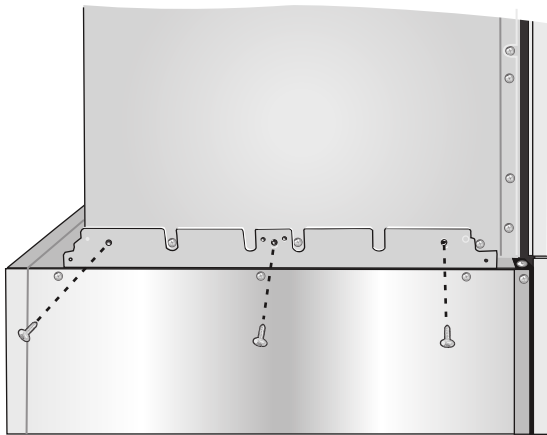
## Montar las guías en el cajón calentaplatos

1. Fijar ambas guías de conexión universales en la caja del cajón calentaplatos utilizando tres de los tornillos suministrados para cada guía (A). Apretar los tornillos firmemente pero sin sobrepasarse.



**Nota:** Los tornillos que ya hay en la base del microondas ayudan a alinearlos. Al bajar el microondas hasta su lugar sobre la guía de conexión universal, hacer que las cabezas de estos tornillos se introduzcan en las ranuras tal y como se muestra en la siguiente ilustración. El tornillo más cercano a la parte delantera del microondas se desliza por la base del bisel en la parte frontal de la guía.

Colocar la unidad del microondas encima de las guías de conexión universales y fijarla en su sitio utilizando tres tornillos en cada lado dentro del grupo exterior de agujeros. Apretar los tornillos firmemente pero sin sobrepasarse.



2. Seguir con el montaje de la unidad en el siguiente apartado que describe el montaje del cajón calentaplatos microondas/horno de vapor en el gabinete de pared.

## Montaje en el hueco del gabinete

1. Instalar el cajón calentaplatos y el conjunto del microondas en la abertura del gabinete.

### ⚠ ATENCION

Se recomienda contar con 2 instaladores para instalar el conjunto de la unidad. No hacerlo puede causar daños materiales o lesiones personales.

- Deslizar el conjunto en la abertura del gabinete hasta que esté enrasado con la parte frontal del mismo.
  - Asegurarlo a través de los orificios para los tornillos en los listones (taladrar primero agujeros guía en los listones si es necesario). Consultar el diagrama de dimensiones de instalación. Asegurar el microondas conforme a las instrucciones de instalación suministradas con esas unidades.
2. Sustituir el cajón.
    - Asegurarse de que los rieles del gabinete están dentro del gabinete.
    - Alinear los rieles del cajón con los rieles fijados en la carcasa del cajón.
    - Empujar con firmeza el cajón, manteniéndolo recto, en la carcasa del mismo, hasta que el cajón encaje en su sitio. El cajón se debe insertar con facilidad. No intentar forzarlo si se trava. Retirar el cajón, alinear las guías de la carcasa con el borde frontal de la misma e intentarlo de nuevo. Deslizar el cajón por ambas guías de la carcasa al mismo tiempo, manteniéndolo nivelado.
    - El cajón calentaplatos cuenta con una función de empujar para abrir. Empujar hacia adentro la parte frontal del cajón para que el cajón se abra automáticamente.
    - Abrir y cerrar el cajón para comprobar el funcionamiento.

**Nota:** Si el cajón no se cierra, comprobar que las palancas de desbloqueo de las guías están colocadas correctamente.

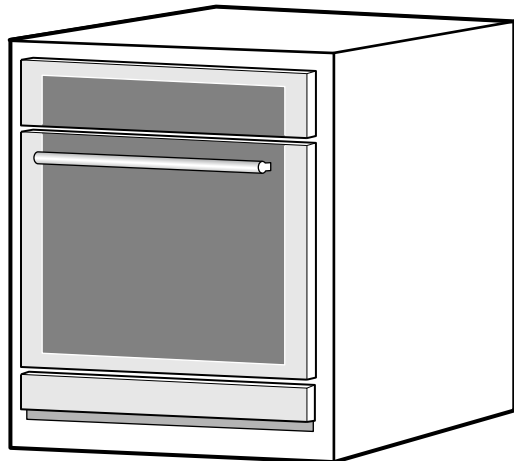
3. Conectar la alimentación eléctrica en el panel de servicio.
4. Comprobar la instalación.
  - Encender el cajón calentaplatos. La luz indicadora y el temporizador deberían encenderse de inmediato.
  - Comprobar si se genera calor.

# Procedimiento de instalación de SDS30WC

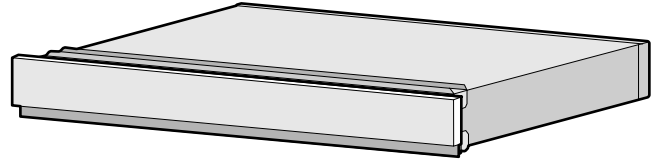
El cajón de almacenamiento **SDS30WC** está diseñado específicamente para usarlo únicamente con los hornos de cocción al vapor simples **MEDS301WS** y **PODS301W**.

## Notas

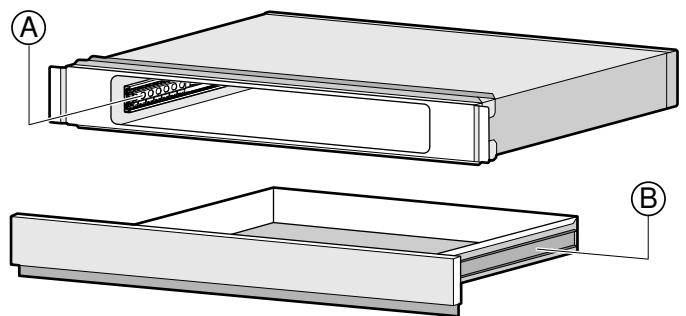
- Las dimensiones de la abertura incluidas en este manual para el SDS30WC solo sirven como referencia. Consultar todas las dimensiones de la unidad y del gabinete en la guía de instalación incluida con el horno de cocción al vapor.
- El cajón de almacenamiento combinado con el horno de cocción al vapor permite sustituir el horno de pared simple estándar.
- La altura del horno de cocción al vapor es inferior a la de un horno de pared estándar. El cajón de almacenamiento combinado con el horno de cocción al vapor permite sustituir directamente un horno de pared estándar.
- El cajón es un cajón de almacenamiento funcional para las bandejas y las rejillas suministradas con el horno de cocción al vapor.



**AVISO:** Esta unidad utiliza una guía de rodamiento de bolas especial y cuenta con una función llamada «Empujar para abrir» (PTO, por sus siglas en inglés). Esta función permite un diseño sin asa y la opción de una instalación enrasada.



Esta unidad tiene instalados dos conjuntos de guías PTO, uno en cada lado. En cada lateral de la carcasa hay montada una **guía** y, en cada lado del cajón, los **rieles** correspondientes. (En la imagen solo se muestra un lado para mayor claridad).



A Guía

B Riel

Durante la instalación o mantenimiento (limpieza) se puede desear o puede ser recomendable retirar el cajón de la unidad para simplificar o facilitar el proceso de instalación o mantenimiento. Se debe tener especial cuidado y seguir unos pasos concretos para garantizar que no se haga daño al mecanismo PTO.

## ⚠ ADVERTENCIA

No reparar, sustituir ni quitar ninguna pieza del electrodoméstico a menos que se recomiende de forma específica en los manuales. Una instalación, servicio o mantenimiento inadecuados pueden causar lesiones o daños materiales. Consultar este manual para recibir ayuda. Todos los demás servicios debe realizarlos un agente autorizado.

## Extraer el cajón de la carcasa

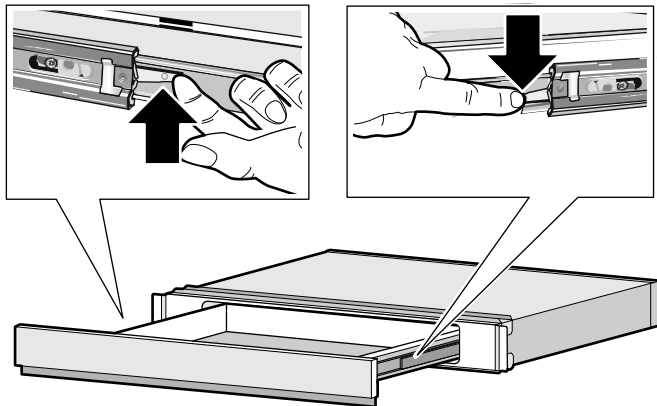
### ▲ ATENCION

Las superficies ocultas pueden tener bordes afilados. Proceder con cuidado cuando se toque el aparato o alrededor o debajo del mismo

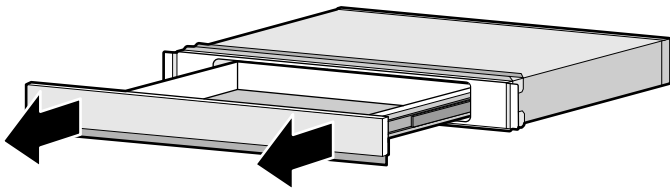
**AVISO:** Las siguientes son las recomendaciones del fabricante para extraer y montar el cajón con el fin de minimizar el riesgo de dañar el mecanismo PTO.

#### 1. Retirar el cajón de la carcasa.

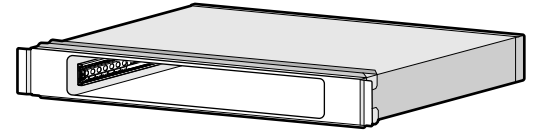
- Activar la función PTO empujando la parte frontal de la superficie del cajón. El cajón se abrirá aproximadamente 4 pulgadas.
- Jalar el cajón para abrirlo completamente.
- Empujar hacia abajo la palanca derecha de desbloqueo del cajón.
- Levantar la palanca izquierda de desbloqueo del cajón.
- Empujar con firmeza el cajón, manteniéndolo recto.
- Replegar los rieles del gabinete mientras el cajón esté sacado.



- #### 2. Agarrar ambos lados del cajón, tirar de él manteniéndolo recto y nivelado y retirar con cuidado la carcasa del cajón. Este paso puede exigir aplicar una fuerza ligera o moderada para retirar por completo el cajón.

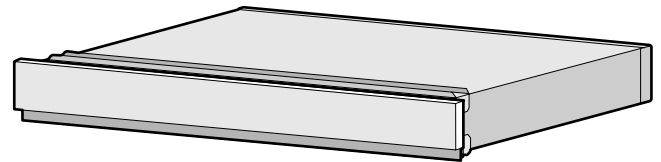


- #### 3. Instalar o realizar el mantenimiento (limpieza) de la carcasa con el cajón sacado.

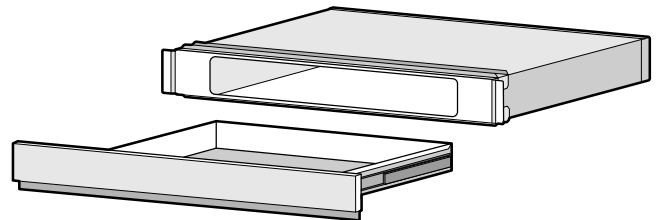


## Preparar el cajón de almacenamiento para la instalación

Retirar el cajón de almacenamiento del embalaje y colocarlo en una superficie estable, como una mesa o un banco de trabajo. Tomar precauciones para proteger la superficie de trabajo mientras se prepara el cajón de almacenamiento para la instalación. Se puede usar para ello cartones o cualquier otro protector adecuado.

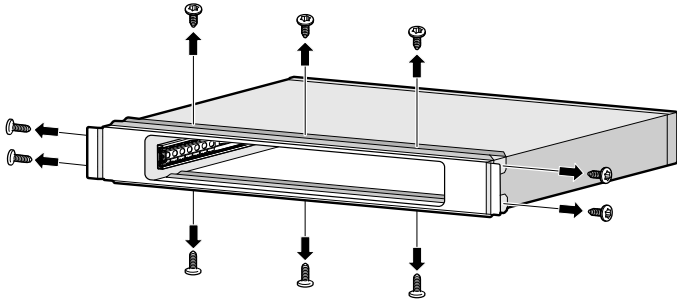


Una vez que el aparato está colocado correctamente en la superficie de trabajo preparada, retirar el cajón de la unidad. Colocar el cajón de lado teniendo cuidado de que no se dañen las superficies de acero inoxidable.

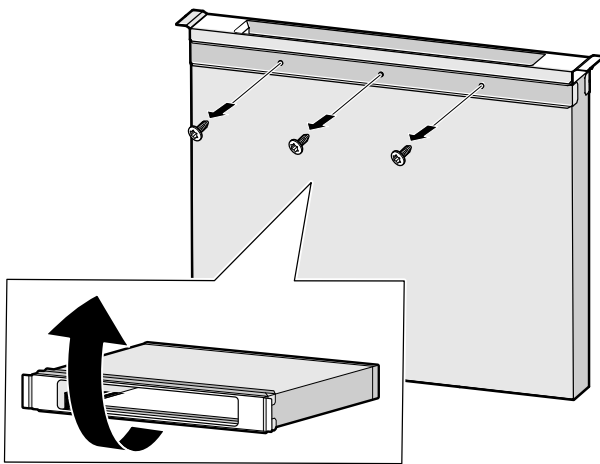


## Retirar los soportes de transporte

Retirar los diez (10) tornillos de fijación de los soportes de transporte de la carcasa.



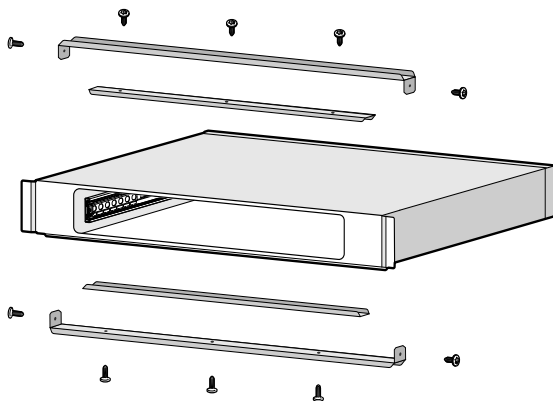
Darle la vuelta a la carcasa o deslizarla hacia adelante hasta que esté fuera de la superficie de la mesa para acceder a los tornillos inferiores y al soporte.



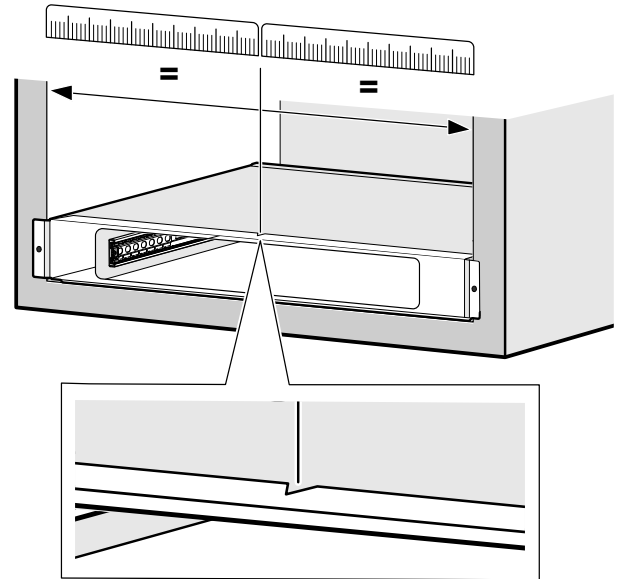
Se podría necesitar aplicar una fuerza moderada desde el lateral de la carcasa para hacer palanca en el soporte exterior superior e inferior, ya que los tornillos tienden a deformar ligeramente el orificio de la carcasa, lo que provoca que se trabe ligeramente el soporte.

**Nota:** Tener cuidado de no dañar o rayar la cubierta frontal de acero inoxidable o los marcos laterales.

Desechar los dos soportes de transporte exteriores e interiores y los diez (10) tornillos que se acaban de retirar. Ya no se necesitan para la instalación.

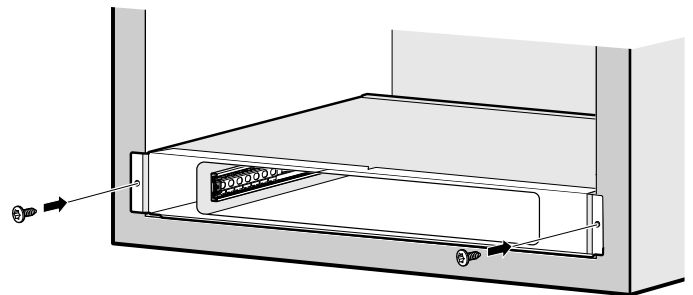


Deslizar la carcasa en la abertura del gabinete hasta que los marcos laterales toquen la superficie del mismo. La superficie superior de la cubierta frontal de acero inoxidable cuenta con una muesca en «V» para ayudar a alinear la carcasa con la abertura del gabinete. Medir la abertura del gabinete y ajustar la carcasa del cajón de almacenamiento haciendo coincidir la muesca en «V» con la mitad de la abertura medida del gabinete. Esto garantizará que la carcasa esté centrada en la abertura.



Una vez que se haya alineado el cajón de almacenamiento con la abertura del gabinete, instalar dos (2) tornillos suministrados para asegurar la carcasa a la superficie del gabinete.

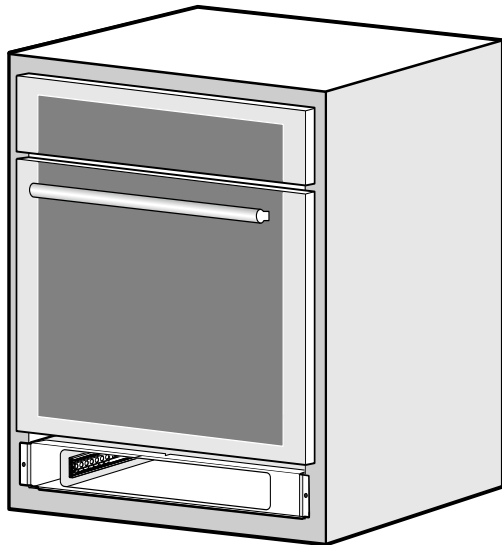
Con el cajón completamente abierto, taladrar agujeros guía a través de la brida lateral con una broca de madera de 1/8" (3.175 mm), antes de instalar el horno de cocción al vapor o el cajón.



## Instalar el horno de cocción al vapor encima del cajón de almacenamiento

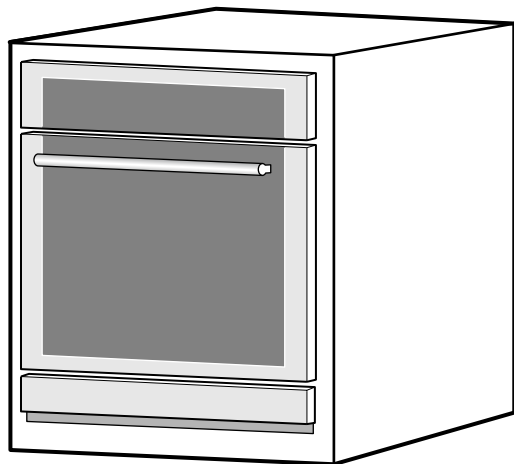
**Nota:** Instalar el cajón antes que el horno de cocción al vapor podría rayar la superficie del cajón.

El horno de cocción al vapor **debe** estar instalado encima del cajón de almacenamiento antes de volver a instalar el cajón dentro de la carcasa del cajón de almacenamiento. Deslizar el horno de cocción al vapor directamente encima de la carcasa del cajón de almacenamiento hasta que quede enrasado en el gabinete.



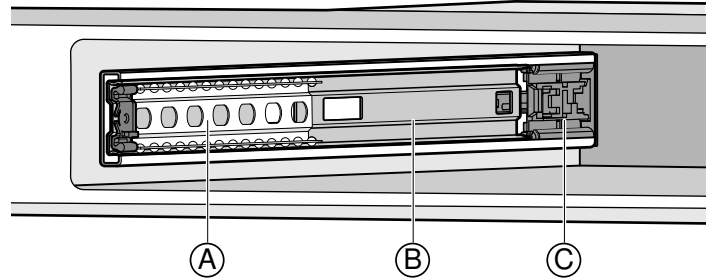
En la guía de instalación suministrada con el horno de cocción al vapor se pueden consultar instrucciones de instalación detalladas.

Volver a colocar el cajón de almacenamiento en la carcasa.



## Instalar el cajón en la carcasa

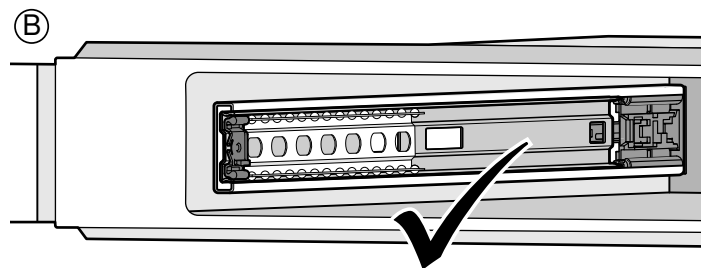
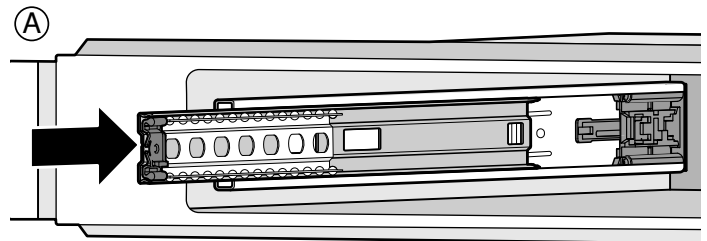
Las guías montadas en cada lado de la pared de la carcasa cuentan con dos elementos móviles, un riel interior y un soporte de rodamiento de bolas, que necesitan tener una orientación determinada para conseguir una instalación y alineación precisas.



También hay un mecanismo de bloqueo visible en la parte posterior de cada guía.

- A Soporte de rodamiento de bolas
- B Riel interior de la guía
- C Mecanismo de bloqueo

1. El riel interior de la guía se debe fijar en la posición de bloqueo del cajón para una instalación adecuada. Con el cajón sacado, empujar el riel interior de la guía **hacia** la parte trasera de la carcasa hasta que quede bloqueado en el sitio y no salte de nuevo y se abra.

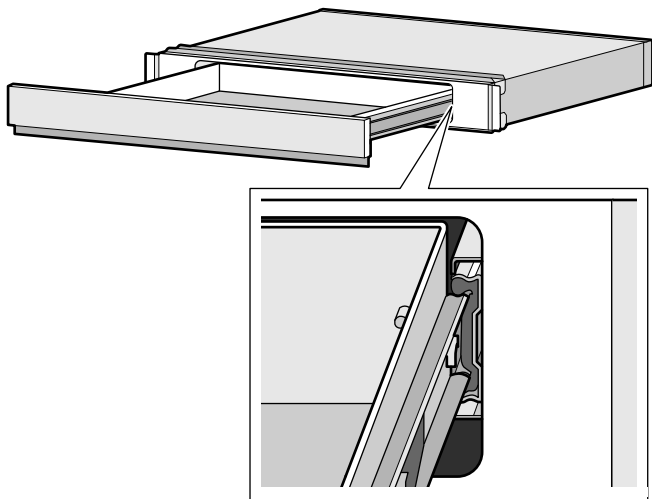


- A Riel interior de la guía
- B Mecanismo de bloqueo

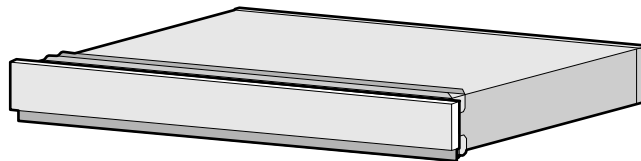
**Nota:** Se necesita aplicar una fuerza moderada en el mecanismo de bloqueo del soporte de bolas de plástico negro para fijar la guía en la posición de bloqueo del cajón. El cajón está bloqueado cuando permanece en su sitio y no salta de nuevo y se abre.



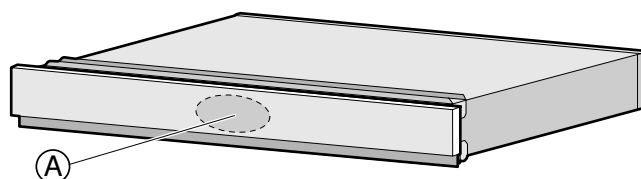
2. Colocar el conjunto del cajón delante del conjunto de la carcasa y alinear el riel con el conjunto del soporte de bolas de la guía. Mantener el conjunto del cajón equilibrado y centrado respecto a la carcasa e introducir con cuidado el cajón en el conjunto de la carcasa.



- Se oirá un «clic» cuando el cajón esté correctamente cerrado y se bloqueará el cajón en su posición cerrada.

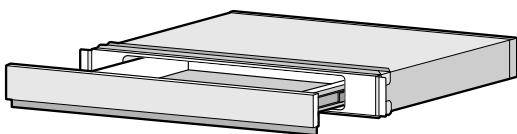


4. Comprobar el funcionamiento del cajón PTO empujando la zona inferior central del frontal del cajón (lugar óptimo de funcionamiento). El cajón funcionará al aplicar una fuerza de apertura en cualquier punto del frontal del cajón; se necesitará aplicar una fuerza ligeramente mayor fuera de la zona recomendada.



### Notas

- Puede ser necesario hacer un ligero balanceo de lado a lado para conseguir que los rodamientos de bolas se alineen de forma exacta.
  - **Recordatorio:** En este momento se está intentando alinear dos juegos de rodamientos de bolas. Si se necesita aplicar más que una fuerza moderada para introducir el cajón en este punto, retirarlo y repetir el procedimiento de instalación hasta aquí.
3. Seguir introduciendo el cajón manteniéndolo nivelado y centrado respecto a la carcasa hasta que se perciba un ligero aumento de la resistencia en la posición aproximada que se muestra a continuación.



### AVISO

- En esta posición se necesita aplicar una fuerza ligeramente mayor para que cierre, haciendo incrementos pequeños de la fuerza aplicada al cajón, para conseguir que este se alinee de forma precisa y quede listo para un funcionamiento adecuado.

# Procedimiento de instalación de WD30W

---

## ⚠ ATENCION

Nunca manejar el cajón calentaplatos sin un panel frontal acoplado. Se puede acoplar un panel frontal Thermador® o uno a su medida.

---

---

## ⚠ ATENCION

NO levantar el cajón calentaplatos por las asas de la puerta, ya que se podrían dañar las guías y provocar que la puerta no encaje correctamente.

---

---

## ⚠ ADVERTENCIA

**NO REPARAR NI SUSTITUIR NINGUNA PIEZA**  
No reparar ni sustituir ninguna pieza del aparato, a menos que se recomiende específicamente en este manual. La instalación, el servicio técnico o el mantenimiento incorrectos pueden causar lesiones o daños materiales. Consultar este manual como guía. Las demás tareas de mantenimiento deberá realizarlas un técnico de mantenimiento autorizado.

---

La toma de corriente eléctrica se puede instalar en la pared trasera, justo detrás del cajón calentaplatos. Una toma eléctrica empotrada no debe superar una distancia máxima de 5<sup>1</sup>/<sub>2</sub> pies. (1.7 m) a ambos lados de la abertura del cajón calentaplatos. Los espacios libres en la instalación permiten enrollar el cable de alimentación sobrante detrás del aparato.

NO instalar el cajón calentaplatos en lugares húmedos o en el exterior.

---

## ⚠ ATENCION

Antes de realizar el montaje, desconectar la alimentación eléctrica en el panel de servicio. Bloquear el panel de servicio para impedir que se conecte accidentalmente la alimentación eléctrica.

---

## Preparar el panel a la medida para la instalación

Los paneles a la medida deben cumplir los siguientes requisitos:

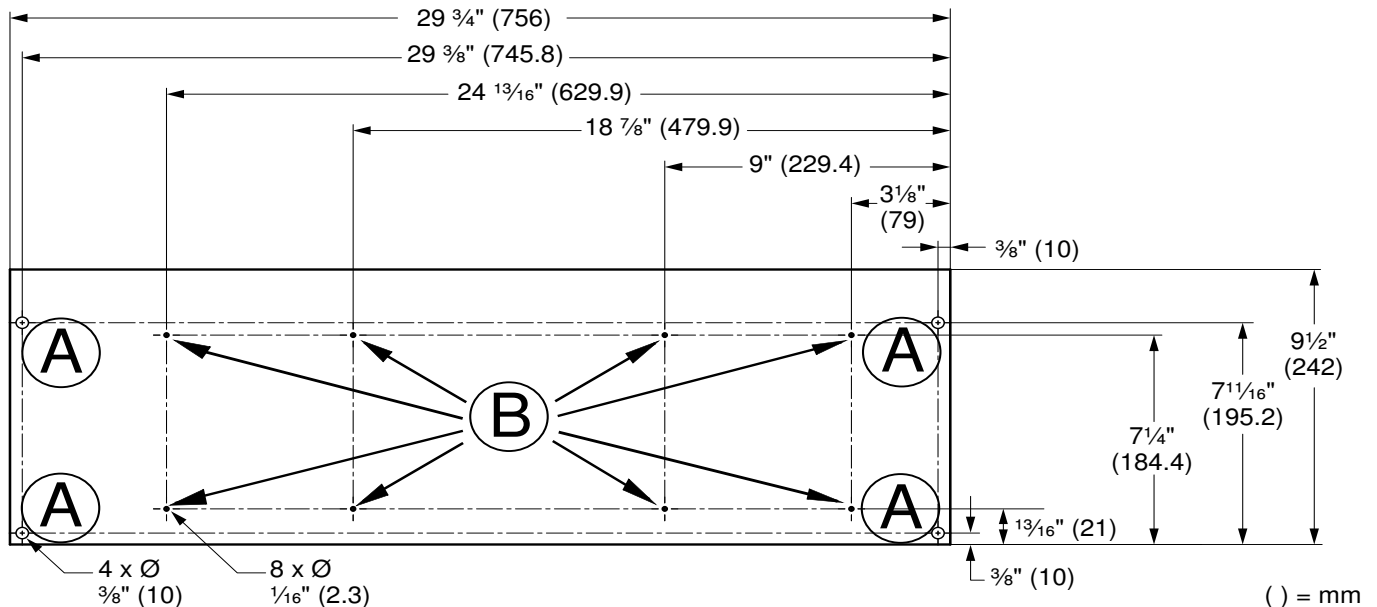
- El cliente proporciona el panel a la medida.
- El cliente proporciona un asa.
- Deben tener un grosor mínimo de 3/4" (19 mm).
- Todos los bordes deben estar terminados.
- Si se usa madera, la parte posterior debe estar sellada para evitar daños causados por la humedad.
- Deben ser resistentes a temperaturas superiores a 158 °F (70 °C).

## Preparación del panel frontal a la medida

1. Marcar agujeros guía de acuerdo con las dimensiones indicadas en el diagrama de la plantilla inferior.
2. Cuando se perforen los agujeros guía y los agujeros de paso, tener cuidado de no taladrar el panel. La profundidad de los agujeros guía no debe superar los 10 mm (7/16").
3. Las dimensiones se indican en milímetros (pulgadas).
4. Se recomienda fijar el asa/perilla deseados usando elementos de sujeción metálicos.

## Fijar el panel a la medida

El cajón calentaplatos frontal a la medida viene acompañado de una placa de fijación ya preensamblada en la unidad.



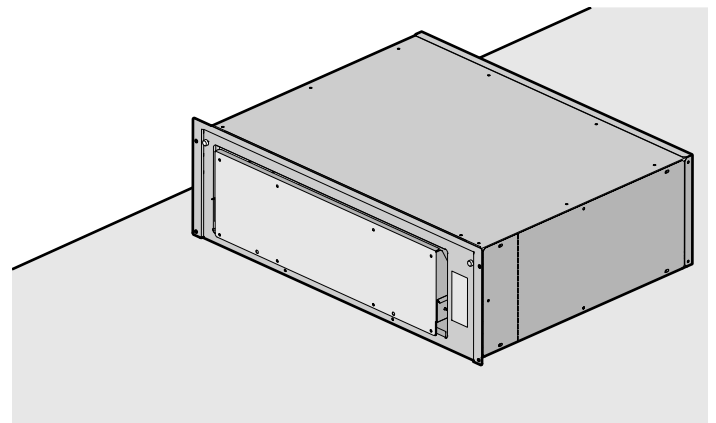
**Nota:** Las dimensiones de la plantilla solo sirven como referencia. El tamaño del panel queda a discreción del cliente.

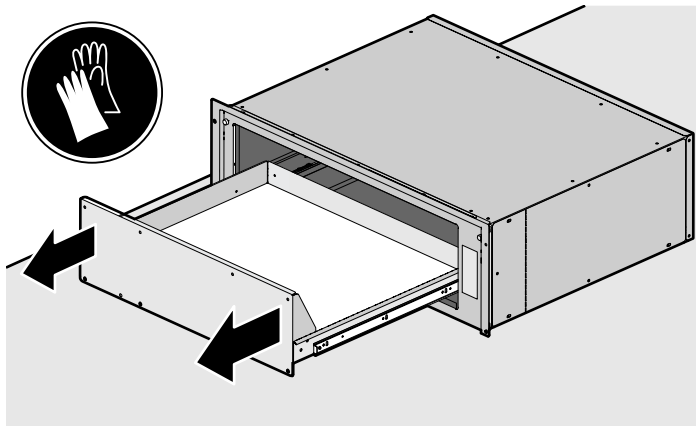
Ubicación	Cantidad	Descripción
A	4	Orificios de 10 mm (7/16") en la cubierta para los tornillos de montaje (no suministrados). La profundidad del orificio también es de 10 mm (7/16"). <b>Tener cuidado de no taladrar el panel.</b>
B	8	Orificios ya perforados de 2.3 mm (1/8") para los tornillos de montaje suministrados (tornillo auto-roscante con cabeza ovalada, 8 x 1/2 T20). La profundidad del orificio es de 10 mm (7/16"). <b>Tener cuidado de no taladrar el panel.</b>

### Notas

- El peso máximo que soporta el panel es de 8 libras (3.6 kg).
- El grosor del panel es de 19.05 mm (3/4") de acuerdo con el grosor del gabinete estándar de EE. UU.
- Se recomienda usar elementos de sujeción metálicos.
- Las dimensiones se indican en milímetros (mm).

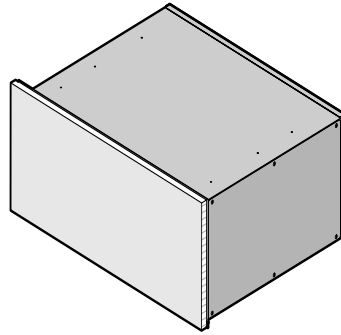
Taladrar previamente agujeros guía y agujeros de paso en el panel frontal a la medida, como se explica en el capítulo **Procedimiento de instalación** y luego proceder como se indica a continuación.





Abir completamente el cajón agarrándolo por los bordes exteriores de la placa de fijación. Asegurarse de usar guantes para evitar cortes causados por los bordes de la placa de fijación.

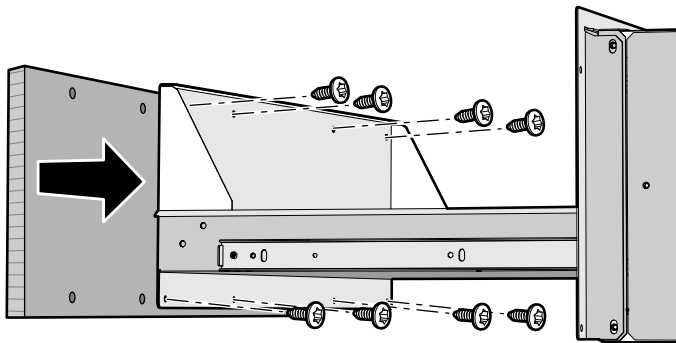
Cerrar el cajón. Se ha completado la instalación del panel a la medida para la placa de fijación.



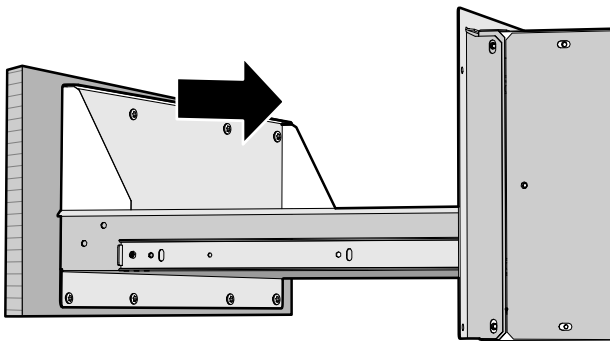
Continuar con la instalación del gabinete como se describe en el capítulo **Procedimiento de instalación**.

### Lista de comprobación final de la instalación

- Se han mantenido en las superficies del gabinete los espacios libres especificados.
- El asa del cajón está nivelada y centrada.
- El cajón se abre y se cierra correctamente.
- La unidad está nivelada.
- Se ha retirado todo el material de embalaje.
- Se ha proporcionado un receptáculo con protección contra sobrecorriente adecuada para la conexión de cables de servicio.
- La conexión a tierra es adecuada.
- El propietario conoce la ubicación del breaker principal.



Asegurar el panel a la medida a la parte frontal del cajón con ocho (8) #8 x 1/2" tornillos con cabeza de estrella T-20 suministrados con la unidad. Apretar los tornillos pero sin sobrepasarse.



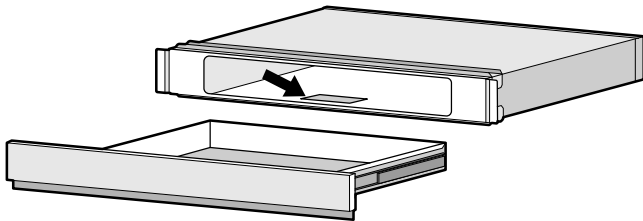
## Servicio técnico

Si los elementos del cajón calentaplatos o las luces indicadoras no se encienden, comprobar la fuente de alimentación eléctrica para ver si el breaker se ha disparado.

### Placa de características

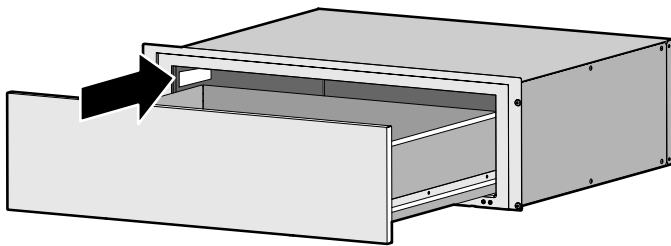
#### Modelo SDS30WC

Consultar la placa de señalización en el cajón de almacenamiento cuando se solicite servicio técnico o en el momento de pedir ayuda al Servicio de Asistencia Técnica. La placa de señalización es visible en la base de la carcasa del cajón de almacenamiento **SDS30WC**. Será necesario retirar el cajón para verla.



#### Ubicación de la placa de señalización del **SDS30WC**

La placa de señalización del cajón de almacenamiento del SD30WC se encuentra en la parte interior izquierda de la carcasa.

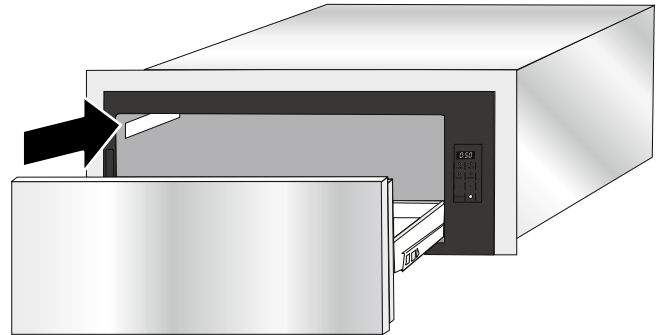


#### Ubicación de la placa de señalización del **SD30WC**

### Placa de señalización del WD30W y WD30WC

#### Modelos SD30WC, WD30WC, WD30W

Consultar la placa de señalización del aparato cuando se solicite servicio técnico o en el momento de pedir ayuda al Servicio de Asistencia Técnica. La placa de señalización es visible en la parte izquierda de la cubierta del cajón.



### Número de modelo y número FD

El número de modelo y el número FD del aparato se pueden ver en la placa de características o en la placa de señalización del producto. Apuntar esos números en el espacio siguiente para ahorrar tiempo en caso de que el aparato necesite servicio técnico.

Núm. modelo	Núm. FD
Servicio de Asistencia Técnica de Thermador	800-735-4328

Conservar la factura o los documentos de compra que confirmen la validación de la garantía, en caso de que el aparato necesite servicio técnico.

---

# Soporte técnico de THERMADOR®

## Servicio técnico

Sabemos que usted ha realizado una inversión considerable en su cocina. Nos dedicamos a brindar apoyo técnico para usted y su electrodoméstico de manera que tenga muchos años de cocina creativa.

No dude en comunicarse con nuestro Departamento de Atención al Cliente de STAR® si tiene alguna pregunta o en el caso poco probable de que su electrodoméstico THERMADOR® necesite servicio técnico. Nuestro equipo de servicio técnico está listo para asistirlo.

### EE. UU.

800-735-4328

[www.thermador.com/support](http://www.thermador.com/support)

### Canadá

800-735-4328

[www.thermador.ca](http://www.thermador.ca)

## Piezas y accesorios

Puede comprar piezas, filtros, productos para eliminar el sarro, limpiadores para acero inoxidable y más artículos en la tienda electrónica de THERMADOR® o por teléfono.

### EE. UU.

<http://store.thermador.com/us>

### Canadá

- Si usted vive en alguna de las provincias atlánticas, Ontario o Quebec: contacte el

#### **Marcone**

1-800-287-1627

- Si usted vive en algún territorio, Manitoba, Saskatchewan, Alberta o Columbia Británica: contacte el

#### **Reliable Parts**

1-800-663-6060





1901 MAIN STREET, SUITE 600 IRVINE, CA 92614 // 1-800-735-4328 // WWW.THERMADOR.COM  
© 2018 BSH HOME APPLIANCES CORPORATION  
9001353104 en-us, fr-ca, es-mx 980823