

36" Professional Series Rangetop

PCG366G



PCG366G Stainless steel

INNOVATION

- Exclusive, patented Star® Burner – most even heating, unsurpassed flame coverage
- QuickClean Base® designed for easy surface cleaning
- Every burner 18,000 BTU (NG)
- Precision simmering capabilities as low as 100°F (375 BTU) with 2 ExtraLow® Simmer burners

PERFORMANCE

- Professional style, continuous cast iron grates
- Continuous porcelain, easy to clean cooking surface
- Widest range of simmer options from 375 BTU to 3,000 BTU
- Star® design delivers superior heat spread for any size pan
- Simmer without stirring/scorching with exclusive ExtraLow®

DESIGN

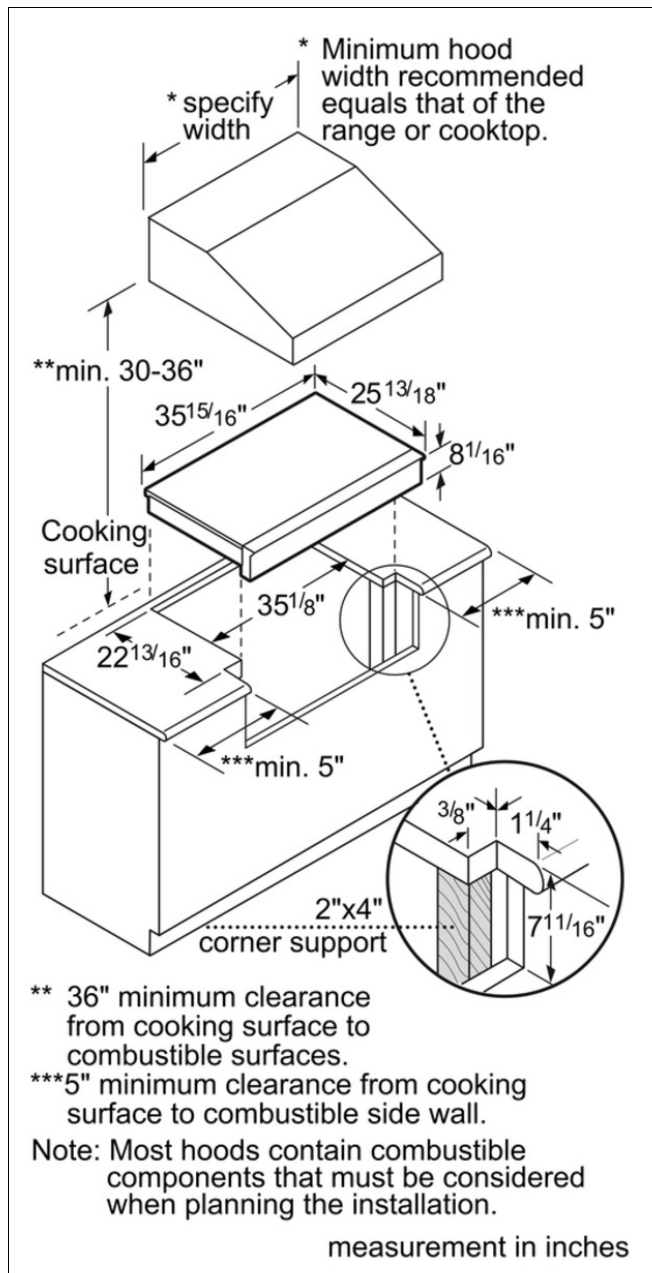
- Bold Professional design
- Patented Pedestal Star® Burner with QuickClean Base®
- Restaurant style metal knobs
- Signature blue indicator lighting
- Island trim shipped standard with rangetop

Optional accessories

PAGRIDDLE Professional Griddle Accessory

825225881513

36" Professional Series Rangetop PCG366G



Product Features

Knob Material: Full metal
 Sealed Burners: Yes
 Type of grate: Cast iron
 Natural Gas Connection Rating (BTU): 108000
 LP Gas Connection Rating (BTU): 90000
 Power of 1st heating element (W): 0.1-5.27
 Power of 1st burner (BTU): 18000
 Power of 2nd heating element (W): 0.1-5.27
 Power of 2nd burner (BTU): 18000
 Power of 3rd burner (BTU): 18000
 Power of 4th heating element (W): 0.62-5.27
 Power of 4th burner (BTU): 18000

Consumption and connection features

UPC code: 825225881513
 Variant color: Stainless steel
 Energy source: Gas
 Gas type: Natural gas 15 mbar (USA)
 Alternative gas type: Liquid gas 27,5 mbar (USA)
 Watts (W):
 Current (A): 10
 Volts (V): 120
 Frequency (Hz): 60
 Approval certificates: CSA
 Power cord length (in): 96"
 Power cord length (cm): 243.8
 Plug type: 120V-3 prong
 Required cutout size (HxWxD) (in): 10 9/16" x 35 1/8" x 7 11/16"
 Required cutout size (HxWxD) (mm): 268.3 x 892 x 195
 Minimum distance from counter front (in):
 Minimum distance from rear wall (in): 12"
 Overall appliance dimensions (HxWxD) (in): +10 9/16" x 35 15/16" x 25 13/16"
 Overall appliance dimensions (HxWxD) (mm): 204.8 x 913 x 656
 Product packaging dimensions (HxWxD) (in): 21 1/2" x 41" x 30 3/4"
 Net weight (lbs): 142
 Net weight (kg): 65.000
 Gross weight (lbs): 158
 Gross weight (kg): 72.000
 Total number of cooktop burners: 6

2013-07-12