

INSTALLATION MANUAL

Gas Cooktops

Models:
SGS
SGSX

Thermador[®] | *An American Icon*[™]

Table of Contents

Safety	1
IMPORTANT SAFETY INSTRUCTIONS	1
Installation	3
Before You Begin	3
Tools and Parts Needed	3
Parts Included	3
General Information	3
Preparation	3
Installation Procedure	5
Prepare the Countertop	5
Seal the Cooktop with Foam Tape	5
Install the Cooktop	5
Connect Gas Supply	5
Connect Electrical Supply	6
Burner Cap Placement	6
Final Check	8
Service	8
Before Calling Service	8
Product Data Plate	8

This Thermador Appliance is made by
BSH Home Appliances Corporation
5551 McFadden Ave.
Huntington Beach, CA 92649

Questions?

1-800-735-4328

www.thermador.com

We look forward to hearing from you!

Safety



IMPORTANT SAFETY INSTRUCTIONS

READ AND SAVE THESE INSTRUCTIONS

INSTALLER: LEAVE THESE INSTRUCTIONS WITH THE APPLIANCE AFTER INSTALLATION IS COMPLETE.

IMPORTANT: SAVE FOR THE LOCAL INSPECTOR'S USE.

WARNING:

Do not repair or replace any part of the appliance unless specifically recommended in the manuals. Improper installation, service or maintenance can cause injury or property damage. Refer to this manual for guidance. All other servicing should be done by a qualified technician.

Gas Appliance Safety

WARNING:

If the information in this manual is not followed exactly, a fire or explosion may result causing property damage, personal injury or death.

-- **Do not store or use combustible materials, gasoline or other flammable vapors and liquids in the vicinity of this or any other appliance.**

-- WHAT TO DO IF YOU SMELL GAS

- **Do not try to light any appliance.**
- **Do not touch any electrical switch.**
- **Do not use any phone in your building.**
- **Immediately call your gas supplier from a neighbor's phone. Follow the gas supplier's instructions.**
- **If you cannot reach your gas supplier, call the fire department.**

-- **Installation and service must be performed by a qualified installer, authorized service agency or the gas supplier.**

- Install a gas shutoff valve near the appliance. It must be easily accessible in an emergency.
- Leak testing must be conducted by the installer according to the instructions in this manual.
- The appliance and its individual shutoff valve must be disconnected from the gas supply piping system during any pressure testing at pressures in excess of ½ psi (3.5 kPa).

- The appliance must be isolated from the gas supply piping system by closing its individual manual shutoff valve during any pressure testing of the gas supply piping system at test pressures equal to or less than ½ psi (3.5 kPa)
- The minimum supply pressure must be 1" water column above the manifold pressure printed on the data plate.
- The maximum supply pressure must not exceed 14.0 inches water column (34.9 Millibars).
- For Massachusetts installations:
 - Installation must be performed by a qualified or licensed contractor, plumber or gas fitter qualified or licensed by the state, province or region where this appliance is being installed.
 - Shut-off valve must be a "T" handle gas cock.
 - Flexible gas connector must be new and not longer than 36 inches.
- Installer - show the owner where the gas shut-off valve is located.

Propane Gas Installation

- The propane gas tank must be equipped with its own high pressure regulator. In addition, the regulator supplied with this unit must also be used.
- The appliance is shipped from the factory for use with natural gas. It must be converted for use with propane. A qualified technician or installer must do the conversion using the Liquid Propane Conversion Kit (SNLPKITF).

Equipment and Usage Safety Requirements

- The cooktop must be used in conjunction with a suitable ventilation system.
- This appliance is equipped with an intermittent/interrupted ignition device. (Models SGSX305 and SGSX365 only)
- Remove all tape and packaging before using the appliance. Destroy the packaging after unpacking the appliance. Never allow children to play with packaging material.
- Never modify or alter the construction of the appliance. For example, do not remove panels, wire covers or screws.

- To eliminate the risk of burns or fire by reaching over heated surface units, cabinet storage space located above the surface units should be avoided. If cabinet storage is to be provided, the risk can be reduced by installing a hood that projects horizontally a minimum of 5 inches beyond the bottom of the cabinet.
- Verify that cabinets above the cooktop are a maximum of 13" (330 mm) deep.

Appliance Handling Safety

- Unit is heavy and requires at least two people or proper equipment to move.
- Hidden surfaces may have sharp edges. Use caution when reaching behind or under appliance.

Safety Codes and Standards

- This appliance complies with one or more of the following Standards:
 - **UL 858, The Standard for the Safety of Household Electric Ranges**
 - **UL 923, The Standard for the Safety of Microwave Cooking Appliances**
 - **UL 507, The Standard for the Safety of Electric Fans**
 - **ANSI Z21.1, The American National Standard for Household Cooking Gas Appliances**
 - **CAN/CSA-C22.2 No. 113-M1984 Fans and Ventilators**
 - **CAN/CSA-C22.2 No. 61-M89 Household Cooking Ranges**
- It is the responsibility of the owner and the installer to determine if additional requirements and/or standards apply to specific installations.
- Installation must conform with local codes or, in the absence of local codes, with the National Fuel Gas Code, ANSI Z223.1/NFPA 54.

- The appliance must be electrically grounded in accordance with local codes or, in the absence of local codes, with the National Electrical Code ANSI/ NFPA 70, latest edition. (In Canada, installation must be in accordance with the CAN 1-B149.1 and .2 Installation Codes for Gas Burning Appliances and/ or local codes).

Electric Safety

- Before you plug in an electrical cord, be sure all controls are in the OFF position.
- For appliances equipped with a cord and plug, do not cut or remove the ground prong. It must be plugged into a matching grounding type receptacle to avoid electrical shock. If there is any doubt as to whether the wall receptacle is properly grounded, the customer should have it checked by a qualified electrician.
- This appliance should be installed in accordance with the National Electric Code or Canadian Electrical Code. It is required that the cooktop be installed on a grounded, non-GFCI branch circuit.
- Installer - show the owner the location of the circuit breaker or fuse. Mark it for easy reference.
- Important - Save these instructions for the local electrical inspector's use.
- Before installing, turn power OFF at the service panel. Lock service panel to prevent power from being turned ON accidentally.
- Be sure your appliance is properly installed and grounded by a qualified technician. Installation, electrical connections and grounding must comply with all applicable codes.

High Altitude Installation

This range is CSA certified for safe operation up to an altitude of 10,000 ft. without any modifications (except LP conversion, when applicable).

Installation

Before You Begin

Tools and Parts Needed

1. Phillips Head Screwdriver
2. Drill with 1/4" (6.5mm) bit
3. Tape Measure
4. Pipe-joint compound (resistant to LP and Natural gas)

Parts Included

1. Foam tape
2. Hold down brackets (4)
3. Screws, #10-32 x 2 1/2" (63.8mm) (4)
4. Sheet Metal Screws, #8 x 3/8" (9.5mm) (4)
5. Washers (4)
6. Burner Grates (3)
7. Burner Caps
36" models: (5)
30" models: (4) or (5)
8. Pressure Regulator

If parts are missing or damaged, call the number or write to the address listed inside the back cover.

General Information

This cooktop can be installed above any Thermador single built-in oven as long as a minimum 0.5 inches air gap is maintained between the bottom of the cook top and the top of the oven.

Overall Dimensions

	30" Models	36" Models
Width (Side to Side)	31" (788 mm)	37" (940 mm)
Depth (Front to Back)	21 1/4" (540 mm)	21 1/4" (540 mm)
Height (Top to Bottom)	3 13/16 (97 mm)	3 13/16 (97 mm)

* **NOTE:** These are overall dimensions NOT cutout dimensions.

Preparation

Electrical Requirements

This appliances requires a 60 Hz, 15 Amp, 120 VAC connection. Plan the installation so that the power connection is accessible from the front of the cabinet.

Gas Requirements

Supply Pressure:

- **Natural Gas** - 7 inches water column (14.9 Millibars) minimum.
- **Propane Gas** -11 inches water column (27.4 Millibars) minimum.

The propane gas tank must be equipped with its own high pressure regulator in addition to the pressure regulator supplied with this unit. The cooktop is shipped from the factory for use with natural gas. For use with LP conversion kit – Model SNLPK1TF, must be purchased separately. A qualified technician or installer must do the conversion.

Cabinet Requirements

Dimension requirements in Figures 1 and 2 are for combustible surfaces. When the surface is protected by a material listed by UL as a Floor Protector and Wall Shield covered with not less than No. 28 MSG sheet metal 0.015 inch (0.38mm) stainless steel, 0.024 inch (0.6mm) aluminum or copper, it is considered noncombustible and some dimensions may be reduced. For a noncombustible surface over the cooktop, the minimum clearance is 24" (61cm) rather than 30" (76cm).

- Instructions are based on standard American cabinets 36" high (91cm) x 24" deep (61cm) with a 25" (63cm) countertop.
- Provide approximately a 10 square inch opening (65cm²) in the toe kick area or other cabinet area for adequate air inlet to the cabinet if installed with a downdraft.
- The maximum depth of cabinet installed above cooktop is 13" (33cm).

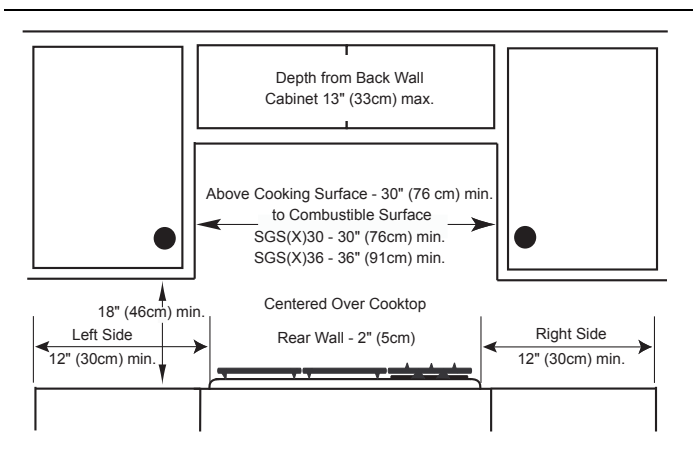


Figure 1: Installed Dimensions (from Cooktop Edges)

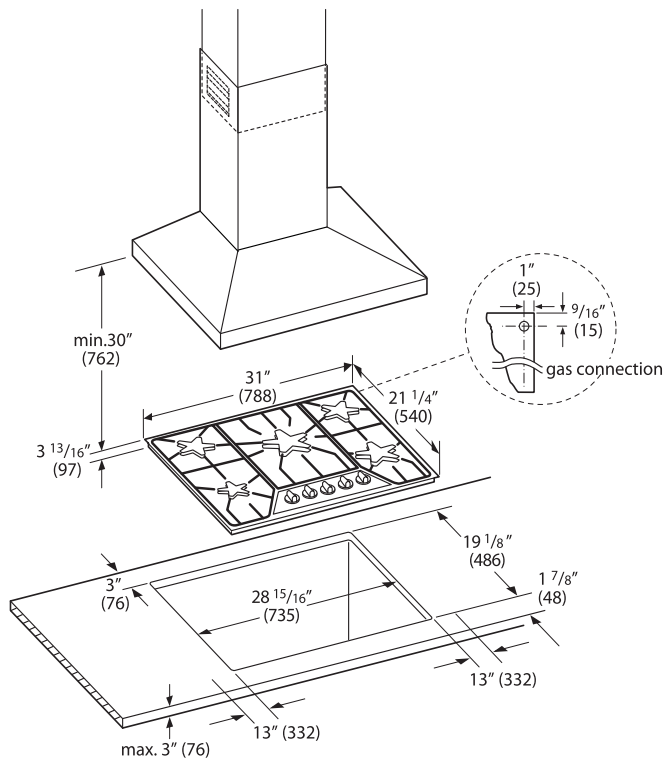
NOTE:

All measurements given have to be precisely followed. If nonstandard cabinets are used, make sure they are installed with minimum dimensions *shown in Figure 1 and Figure 2*.

Plan the installation of the unit so that the power cord, gas shut-off valve and gas pressure regulator are accessible from the front of cabinet.

Countertop Requirements

30" Models



36" Models

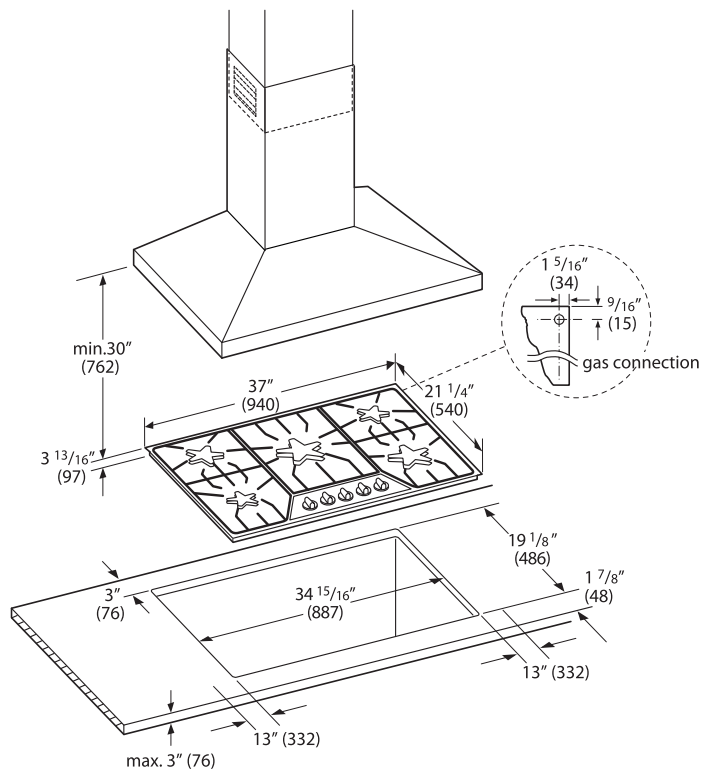


Figure 2: Cutout Dimensions

Mounting Requirements

Use the mounting brackets supplied. See *"Install the Cooktop"* on page 5 for further details.

Ventilation Recommendations

The cooktop must be used in conjunction with a suitable ventilation system.

Installation Procedure



WARNING:

To avoid electrical shock hazard, before installing the cooktop, switch power off at the service panel to prevent the power from being switched on accidentally.

Prepare the Countertop

Cut out the countertop per the dimensions shown in “Cabinet Requirements” on page 3.

Some solid surface materials, such as Surell™ and Corian®, require different cutting methods. Consult with the solid surface manufacturer for the correct cutting method needed. Apply heat reflective tape such as Scotch Aluminum Foil Tape #425 or #427 (not included) around the cutout so that it folds over on the top and sides. Do not wrap the tape underneath the cooktop. Be sure the tape extends beyond the outermost flange of the cooktop. All corners should be covered with tape.

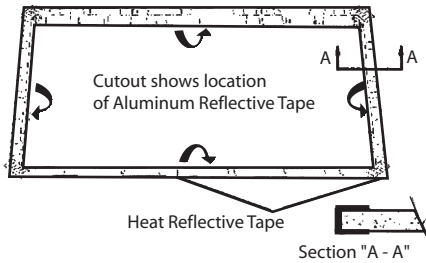


Figure 3: Counter Cutout – Solid Surface Countertops

Seal the Cooktop with Foam Tape

Apply the self adhesive foam tape in one continuous rectangle directly to the counter around the perimeter of the cutout as shown by the dotted line in Figure 4: “Counter Cutout – Foam Tape Placement”. Leave 1/4” (6.35mm) gap between the foam tape and the edge of the cutout.

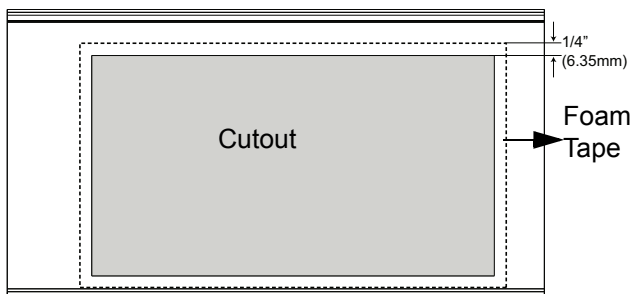


Figure 4: Counter Cutout – Foam Tape Placement

Install the Cooktop

Insert cooktop into the cutout. Attach clamps of the hold-down brackets packaged with the cooktop to the rough-in box. Use the washer and screws provided.

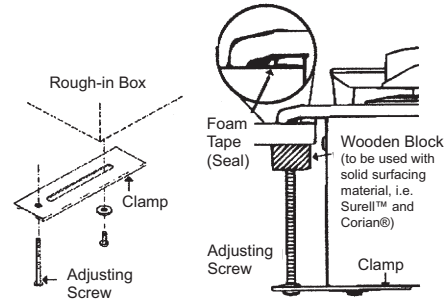


Figure 5: Attaching Hold-Down Brackets

Adjust hold-down brackets to desired position and tighten screws to rough-in box. Insert adjusting screw into clamp and secure cooktop to countertop.

NOTE:

For solid surface material installations: Insert a wooden block between the end of the screw and the bottom of the countertop. Do not overtighten adjusting screw. Trim excess aluminum tape around cooktop flange.

Connect Gas Supply

The gas inlet to the unit is located at the right rear of rough-in box.

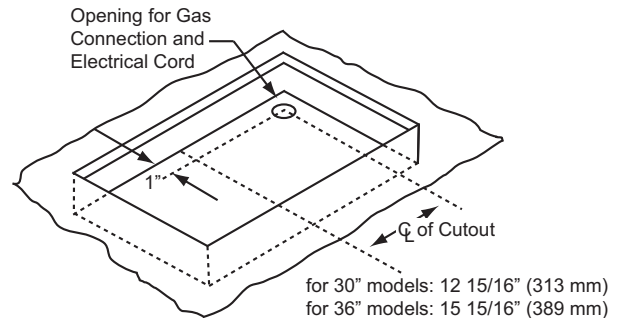


Figure 6: Rough-in Box Area

Install the pressure regulator (supplied with unit) to manifold pipe using pipe-joint compound (resistant to LP and Natural gas) on threads of manifold pipe. Turn to hand tighten plus 1/4 turn, not exceeding 1 turn for alignment. To prevent possible damage to the gas pressure regulator, install it after the rough-in box is in its permanent position.

When the regulator is securely installed on the manifold pipe, the conversion nut will be easily accessible.

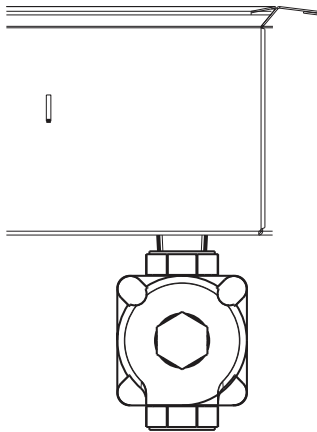


Figure 7: Pressure Regulator



CAUTION:

Do not attempt any adjustment of the pressure regulator, except conversion to propane.

Connect the gas supply line to the unit pressure regulator using a 1/2" flex gas line connector between manual shut-off valve and pressure regulator. Always use a new flex line.

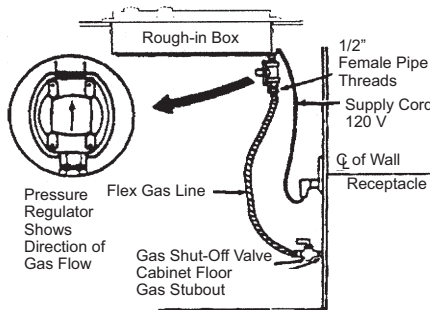


Figure 8: Gas and Electrical Location

Check supply line connections for leaks using a soap solution. Do not use a flame of any sort.

1. Turn on gas.
2. Apply a non-corrosive leak detection fluid to all joints and fittings in the gas connection between the shut-off valve and the range. Include gas fittings and joints in the range if connections may have been disturbed during installation. Bubbles appearing around fittings and connections indicate a leak.
3. If a leak appears, turn off supply line gas shut-off valve and tighten connections.

4. Retest for leaks by turning on the supply line gas shut-off valve. When leak check is complete (no bubbles appear), test is complete.
5. Wipe off all detection fluid residue.

Important Notes for Gas Connection:

- The appliance and its individual gas shutoff valve must be disconnected from the gas supply piping system during any pressure testing of that system at test pressures in excess of 1/2 psig (3.5kPa).
- The appliance must be isolated from the gas supply piping system by closing its individual manual shut-off valve during any pressure testing of the gas supply piping system at test pressures equal to or less than 1/2 psi (3.5kPa).

Connect Electrical Supply

Before connecting the 5-foot (1.5 m) supply cord to wall receptacle, make certain that gas shutoff valve and all burner controls are in OFF position.

Burner Cap Placement



WARNING:

To prevent flare-ups, do not use the cooktop without all burner caps and all burner grates properly positioned.



WARNING:

To prevent burns, do not touch burner caps or grates while hot. Turn the cooktop off and allow the burners to cool.

The burner caps must be properly placed for the cooktop to function properly. If the burner cap is not properly placed, one or more of the following problems may occur:

- Burner flames are too high.
- Flames shoot out of burners.
- Burners do not ignite.
- Burner flames light unevenly.
- Burner emits gas odor.

Placing Burner Caps

Each cap has a letter (B, D, or F) cast in the underside of the cap that corresponds to a letter (B, D, or F) cast in the burner base that is attached to the appliance.

- After electrical connection is complete, place each burner cap on its correct burner base per its corresponding letter designation.

- Place burner cap gently on top of base so that the prongs of the burner base fit snugly into the groove of the burner cap.

Burner Base

Burner Cap

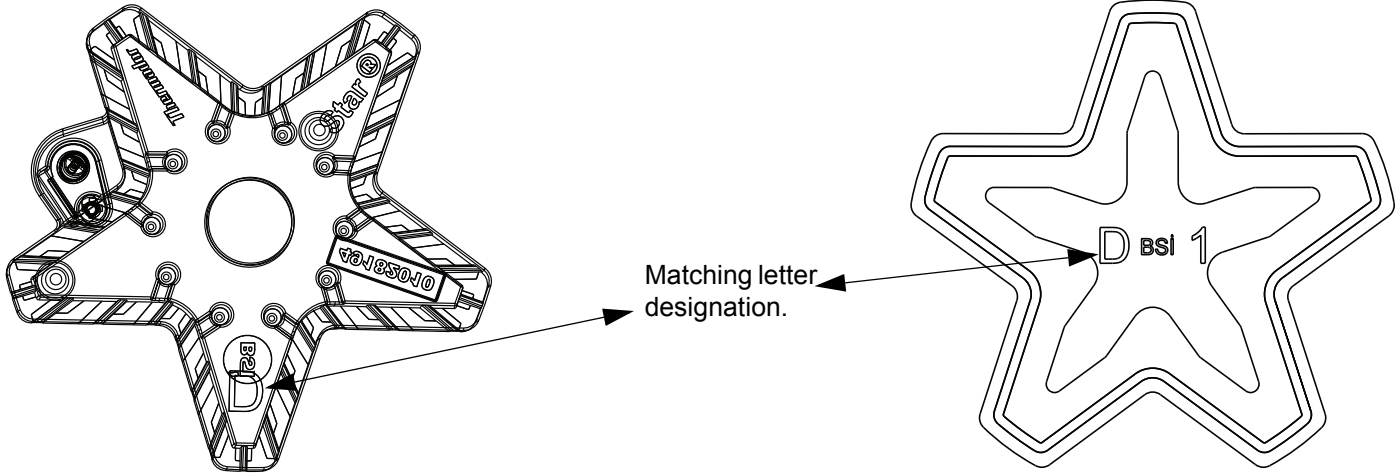


Figure 9: Burners Caps

Checking Burner Cap Placement

- Check to make sure there is no gap between the burner cap and burner base. See figure "Burner Cap Placement" to see the correct and incorrect placements of the burner cap.
- You may gently try to move the burner cap from side to side to check if it is properly placed. If properly placed, the cap will click from side to side as the prongs hit the groove ridge.

Correct Burner Cap Placement

Incorrect Burner Cap Placement

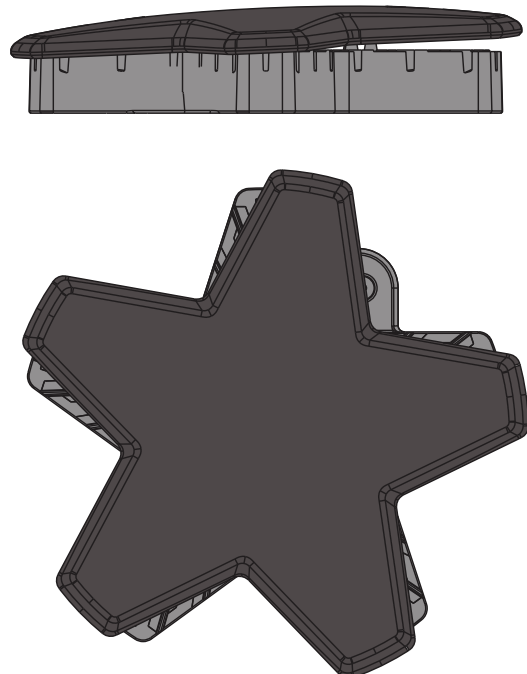
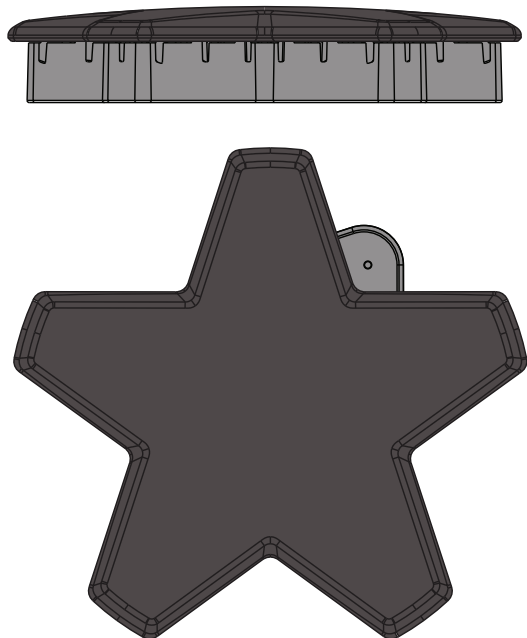
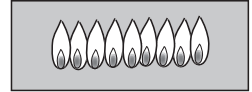


Figure 10: Burner Cap Placement

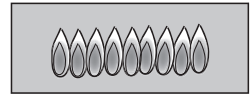
Final Check

Check operation of electric igniters. Check flame characteristics. Flame should be blue with no yellow tip.

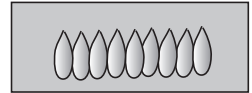
Yellow Flames:
Further adjustment is required.



Yellow Tips on Outer Cones:
Normal for LP Gas.



Soft Blue Flames:
Normal for Natural Gas.



If the flame is completely or mostly yellow, verify that the regulator is set for the correct fuel. After adjustment, retest.

Some yellow streaking is normal during the initial start-up. Allow unit to operate 4-5 minutes and re-evaluate before making adjustments.

Figure 11: Checking Flame Characteristics

Service

Before Calling Service

If the igniters do not spark or the "on" indicator lights do not glow, check the power source to see if a fuse has blown or if the circuit breaker has tripped.

Refer to the Warranty in the Use and Care Manual. See Use and Care manual for troubleshooting information.

Product Data Plate

The data plate shows the model and FD (product's unique identifier for customer service) number of your cooktop. It is located on the underside of the rough-in box, underneath the cooktop.

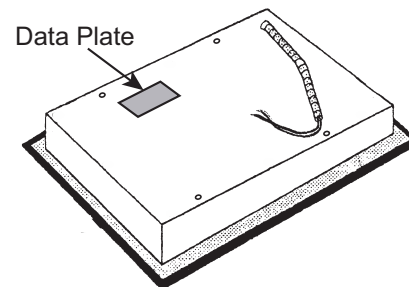


Figure 12: Data Plate Location

Keep your invoice or escrow papers for warranty validation if service is needed.

Table des matières

Sécurité	1
Consignes de sécurité importantes	1
Installation	3
Avant de commencer	3
Outils et pièces nécessaires	3
Pièces comprises	3
Informations générales	3
Préparation	3
Procédure d'installation	5
Préparation du plan de travail	5
Fixation de la table de cuisson avec du ruban en mousse	5
Installation de la table de cuisson	5
Raccordement de l'alimentation de gaz	5
Raccordement de l'alimentation électrique	7
Pose des capuchons de brûleur	7
Vérification finale	8
Dépannage	9
Avant d'appeler le service de dépannage	9
Plaque signalétique du produit	9

Cet appareil électroménager de Thermador est fait par
BSH Home Appliances Corporation
5551 McFadden Ave.
Huntington Beach, CA 92649

Questions ?

1-800-735-4328

www.thermador.com

Nous attendons de vos nouvelles !

Sécurité



Consignes de sécurité importantes

LIRE ET CONSERVER CES CONSIGNES

INSTALLATEUR : LAISSEZ CES INSTRUCTIONS AVEC L'APPAREIL APRÈS AVOIR TERMINÉ L'INSTALLATION.

IMPORTANT : À CONSERVER POUR L'USAGE DE L'INSPECTEUR LOCAL.

AVERTISSEMENT :

Ne pas réparer ni remplacer des pièces de l'appareil à moins que cela ne soit expressément recommandé dans les manuels. Toute installation, réparation ou maintenance inadéquate peut entraîner des blessures ou des dommages matériels. Consulter ce manuel pour obtenir des conseils sur la façon de procéder. Tous les travaux d'entretien doivent être confiés à un technicien qualifié.

Sécurité des appareils à gaz

AVERTISSEMENT :

Si les informations de ce manuel ne sont pas suivies à la lettre, un incendie ou une explosion peuvent se produire entraînant des dommages matériels, des lésions corporelles ou la mort.

-- **Ne pas ranger ou utiliser de matériaux combustibles, d'essence ou d'autres liquides et vapeurs inflammables à proximité de cet appareil ou d'aucun autre appareil.**

-- **QUE FAIRE SI VOUS SENTEZ UNE ODEUR DE GAZ**

- **Ne tentez pas d'allumer un appareil, quel qu'il soit.**
- **Ne touchez à aucun interrupteur électrique.**
- **N'utilisez pas les téléphones de votre immeuble.**
- **Téléphonez immédiatement à votre fournisseur de gaz de chez un voisin. Suivez les instructions du fournisseur de gaz.**
- **Si vous ne parvenez pas à joindre votre fournisseur de gaz, appelez le service d'incendie.**

-- **L'installation et les réparations doivent être effectuées par un installateur qualifié, un organisme de service autorisé ou le fournisseur de gaz.**

- Installez un robinet d'arrêt de gaz à proximité de l'appareil. Celui-ci doit être facilement accessible en cas d'urgence.

- Un essai d'étanchéité doit être effectué par l'installateur conformément aux instructions du présent manuel.
- L'appareil et son robinet d'arrêt individuel doivent être débranchés de la tuyauterie d'alimentation en gaz lorsque vous effectuez des tests de pression à une pression d'épreuve dépassant ½ psi (3,5 kPa).
- L'appareil doit être isolé de la tuyauterie d'alimentation en gaz en fermant le robinet d'arrêt manuel individuel lorsque vous effectuez des essais de pression sur la tuyauterie d'alimentation en gaz si la pression d'épreuve est égale ou inférieure à ½ psi (3,5 kPa)
- La pression d'alimentation minimale doit être égale à 1 po (25,4 mm) à la colonne d'eau, au-dessus de la pression d'admission indiquée sur la plaque signalétique.
- La pression d'alimentation maximale ne doit pas dépasser 14 po (355 mm) à la colonne d'eau (34,9 millibars).
- Installations effectuées dans l'état du Massachusetts :
 - L'installation doit être effectuée par un entrepreneur qualifié ou titulaire d'une licence, un plombier ou installateur de gaz qualifié ou titulaire d'une licence octroyée par l'état, la province ou la région où l'appareil est installé.
 - Le robinet d'arrêt doit être pourvu d'une poignée en « T ».
 - Le connecteur de gaz flexible doit être neuf et sa longueur ne doit pas dépasser 36 po (914 mm).
- Installateur - indiquez au propriétaire où se trouve le robinet d'arrêt de gaz.

Installation du gaz propane

- Le réservoir de gaz propane doit être doté d'un régulateur haute pression. En outre, le régulateur fourni avec cet appareil doit être également utilisé.
- Cet appareil est réglé à sa sortie de l'usine pour fonctionner au gaz naturel. Pour faire fonctionner l'appareil au gaz propane, il doit être converti. Cette conversion doit être effectuée par un technicien ou installateur qualifié utilisant le kit de conversion de propane liquide (SNLPKITF).

Exigences de sécurité concernant l'équipement et l'utilisation

- La table de cuisson doit être utilisée avec un système de ventilation approprié.
- Cet appareil est doté d'un dispositif d'allumage intermittent/interrompu. (Modèles SGSX305 et SGSX365 uniquement)

- Retirer le ruban adhésif et l'emballage avant d'utiliser l'appareil. Détruire l'emballage après avoir déballé l'appareil. Ne jamais laisser les enfants jouer avec des matériaux de conditionnement.
- Ne jamais modifier ni altérer la configuration de l'appareil. Par exemple, ne pas retirer les panneaux, les couvercles de câblage ou les vis.
- Pour éliminer le risque de brûlure ou d'incendie, en passant la main au-dessus des éléments de surface chauffés, l'espace de rangement dans les armoires situées au-dessus des éléments de surface doit être évité. Si une armoire de rangement existe, le risque peut être réduit en installant une hotte d'extraction qui dépasse horizontalement d'un minimum de 5 po (12,7 cm) de la partie inférieure des armoires.
- Vérifiez que la profondeur maximale des armoires situées au-dessus de la table de cuisson ne dépasse pas 13 po (330 mm).

Sécurité de manipulation de l'appareil

- Cet appareil est lourd et il faut au moins deux personnes ou l'équipement approprié pour le déplacer.
- Les surfaces cachées peuvent comporter des arêtes vives. Faites attention en tendant le bras derrière l'appareil ou en dessous.

Codes et normes de sécurité

- Cet appareil est conforme à une ou plusieurs des normes suivantes :
 - **UL 858, Norme pour la sécurité des cuisinières électriques domestiques**
 - **UL 923, Norme pour la sécurité des appareils de cuisson à micro-ondes**
 - **UL 507, Norme pour la sécurité des ventilateurs électriques**
 - **ANSI Z21.1, Norme nationale américaine pour les appareils de cuisson électroménagers au gaz**
 - **CAN/CSA-C22.2 No. 113-M1984, Ventilateurs et soufflantes**
 - **CAN/CSA-C22.2 No. 61-M89, Cuisinières pour usage ménager**
- Il incombe au propriétaire et à l'installateur de déterminer si des exigences et/ou normes additionnelles s'appliquent pour des installations spécifiques.

- L'installation doit être conforme aux codes locaux ou, en l'absence de ceux-ci, au Code national du gaz combustible, ANSI Z223.1/NFPA 54.
- L'appareil doit être mis à la terre électriquement conformément aux codes locaux ou, en l'absence de ceux-ci, au Code national de l'électricité ANSI/ NFPA 70, dernière édition. (Au Canada, l'installation doit être conforme aux codes d'installation CAN 1-B149.1 et .2 pour les appareils à gaz et/ou aux codes locaux).

Sécurité électrique

- Avant de brancher le cordon électrique, vérifier que toutes les commandes sont dans la position "OFF" (Arrêt).
- Pour les appareils doté d'un cordon d'alimentation avec fiche, ne pas couper ni enlever la broche de mise à la terre. Pour éviter tout choc électrique, brancher le cordon dans une prise de courant avec prise de terre. En cas de doute concernant la mise à la terre approprié de la prise murale, le client doit faire vérifier celle-ci par un électricien qualifié.
- Cet appareil doit être installé conformément au Code national de l'électricité (National Electric Code) ou au Code canadien de l'électricité (Canadian Electric Code). Il est impératif que la table de cuisson soit installée sur un circuit de dérivation non différentiel.
- Installateur - indiquer au propriétaire l'emplacement du disjoncteur ou du fusible. Identifier sa position pour pouvoir le retrouver facilement.
- Important - Conserver ces instructions pour l'usage de l'inspecteur local en électricité.
- Avant l'installation, couper le courant au panneau de service. Verrouiller le panneau de service pour éviter que le courant ne soit accidentellement rétabli.
- S'assurer que l'appareil est adéquatement installé et mis à la terre par un technicien qualifié. L'installation, les connexions électriques et la mise à la terre doivent être conformes à tous les codes applicables.

Installation à haute altitude

Cette cuisinière est certifiée ACNOR pour un fonctionnement sécuritaire à une altitude jusqu'à 10 000 pi, sans modification (sauf conversion au propane, au besoin).

Installation

Avant de commencer

Outils et pièces nécessaires

1. Tournevis à tête Phillips
2. Perceuse avec mèche de 1/4 po (6,5 mm)
3. Ruban à mesurer
4. Pâte à joint (résiste au PL et au gaz naturel)

Pièces comprises

1. Ruban en mousse
2. Supports de fixation (4)
3. Vis, #10-32 x 2 1/2 po (63,8 mm) (4)
4. Vis à tôle, #8 x 3/8 po (9,5 mm) (4)
5. Rondelles (4)
6. Grilles de brûleur (3)
7. Capuchons de brûleur
Modèles 36 po (91 cm) : (2)
Modèles 30 po (76 cm) : (4) ou (5)
8. Régulateur de pression

Si des pièces sont manquantes ou endommagées, téléphonez au numéro ou écrivez à l'adresse figurant à l'intérieur de la couverture arrière de ce manuel.

Informations générales

Cette table de cuisson peut être installée au-dessus d'un four encastré de Thermador, pourvu qu'une lame d'air de 0,5 pouce sépare la base de la table de cuisson et le dessus du four.

Dimensions hors tout

	Modèles 30 po (76 cm) :	Modèles 36 po (91 cm) :
Largeur (d'un côté à l'autre)	31 po (788 mm)	37 po (940 mm)
Profondeur (de l'avant à l'arrière)	21 1/4 po (540 mm)	21 1/4 po (540 mm)
Hauteur (de haut en bas)	3 13/16 po (97 mm)	3 13/16 po (97 mm)

* **REMARQUE** : Ces dimensions sont données hors tout et ne constituent PAS des dimensions de découpe.

Préparation

Exigences concernant l'électricité

Cet appareil requiert une connexion électrique de 120 V c.a., 60 Hz et 15 A. Planifier l'installation afin que la connexion électrique soit accessible depuis le devant de l'armoire.

Exigences concernant le gaz

Pression d'alimentation :

- **Gaz naturel** - 7 po (178 mm) à la colonne d'eau (14,9 millibars) minimum.
- **Gaz propane** - 11 po (279 mm) à la colonne d'eau (27,4 millibars) minimum.

Le réservoir de gaz propane doit disposer de son propre régulateur haute pression, outre le régulateur de pression fourni avec cet appareil. La table de cuisson est réglée à sa sortie de l'usine pour fonctionner au gaz naturel. Utilisation avec la trousse de conversion au GPL – Modèle SNLPKITF, à acheter séparément. Cette conversion doit être effectuée par un technicien ou installateur qualifié.

Exigences concernant les armoires

Les exigences en matière de dimensions décrites aux figures 1 et 2 portent sur les surfaces combustibles. Lorsque la surface est protégée par un matériau catalogué par le UL (Underwriters Laboratories) en tant que protecteur de plancher et écran de protection mural recouvert au moins par une tôle MSG No. 28, d'acier inoxydable de 0,015 po (0,38 mm), d'aluminium ou de cuivre de 0,024 po (0,6 mm), elle est considérée comme non combustible et certaines dimensions peuvent être réduites. Pour une surface non combustible située au-dessus de la table de cuisson, le dégagement minimum est de 24 po (61 cm) plutôt que 30 po (76 cm).

- Les instructions sont basées sur les armoires standard américaines de 36 po (91 cm) de hauteur x 24 po (61 cm) de profondeur avec un plan de travail de 25 po (63 cm).
- Prévoir une ouverture d'environ 10 po² (65 cm²) au niveau du coup-de-pied ou à un autre endroit de l'armoire pour un apport d'air adéquat à l'armoire dans le cas d'une installation avec une hotte à évacuation à tirage par le bas.
- La profondeur maximale de l'armoire installée au-dessus de la table de cuisson est de 13 po (33 cm).

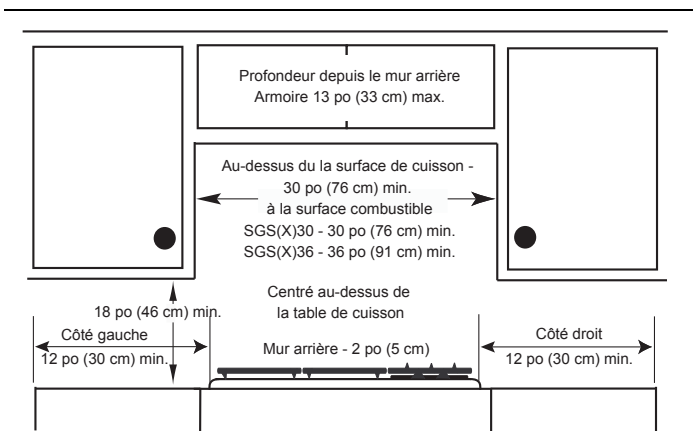


Figure 1: Dimensions installées (depuis les rebords de la table de cuisson)

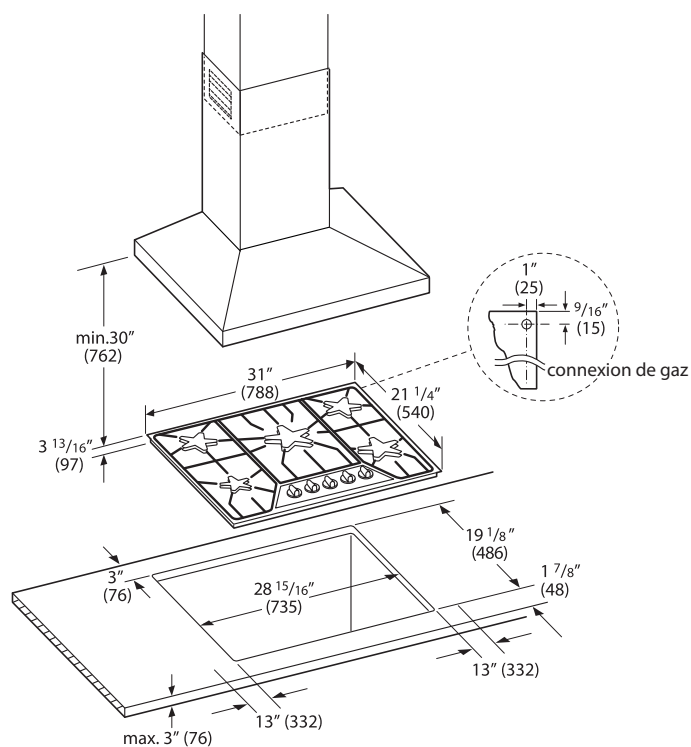
REMARQUE :

Toutes les mesures fournies doivent être scrupuleusement respectées. Si vous utilisez des armoires non standard, s'assurer qu'elle sont installées avec les dimensions minimales *données aux figures 1 et 2*.

Planifier l'installation de l'appareil afin que le cordon d'alimentation, le robinet d'arrêt de gaz et le régulateur de pression du gaz soient accessibles depuis le devant de l'armoire.

Exigences concernant le plan de travail

Modèles 30 po (76 cm) :



Modèles 36 po (91 cm) :

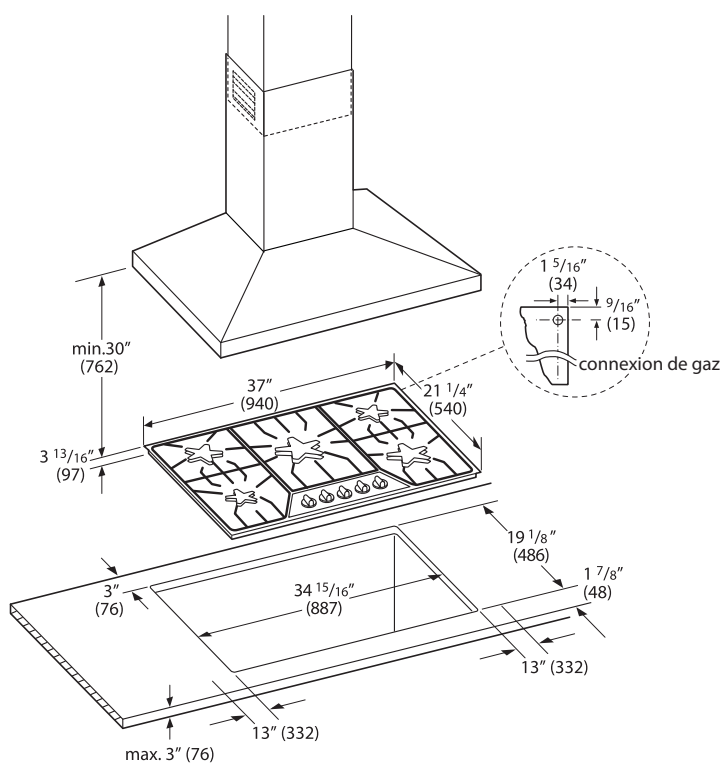


Figure 2: Dimensions de découpe

Exigences en matière de montage

Utiliser les pattes de fixation fournies. Voir "Installation de la table de cuisson" page 5 pour obtenir d'autres détails.

Recommandations sur la ventilation

La table de cuisson doit être utilisée avec un système de ventilation approprié.

Procédure d'installation



AVERTISSEMENT :

Afin d'éviter tout risque de choc électrique, avant d'installer la table de cuisson, couper le courant au niveau du panneau d'entrée d'électricité pour empêcher que le courant ne soit rétabli accidentellement.

Préparation du plan de travail

Découpez le plan de travail selon les dimensions de coupe indiquées à la section "Exigences concernant les armoires" page 3.

Certain matériaux de revêtement durs, tels que Surell™ et Corian®, exigent des méthodes de découpe différentes. Consultez le fabricant du matériau de revêtement dur pour obtenir la méthode de découpe correcte requise. Appliquez du ruban réfléchissant la chaleur tel que le ruban adhésif métallique Scotch n° 425 ou n° 427 (non inclus) sur le pourtour de la découpe de manière à ce qu'il se replie sur le dessus et les côtés. Ne pas mettre de ruban sous la table de cuisson. S'assurer que le ruban dépasse du rebord extrême de la table de cuisson. Tous les coins doivent être recouverts de ruban.

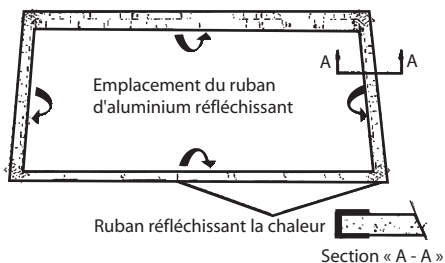


Figure 3: Découpe du comptoir – Plans de travail à surface solide

Fixation de la table de cuisson avec du ruban en mousse

Appliquer le ruban auto-adhésif en mousse directement sur le plan de travail en décrivant un rectangle tout autour du périmètre de la découpe comme l'indique la ligne pointillée de la figure 4 : "Découpe du comptoir – Pose d'un ruban en

mousse". Laisser un espace de 1/4 po (6,35 mm) entre le ruban en mousse et le rebord de la découpe.

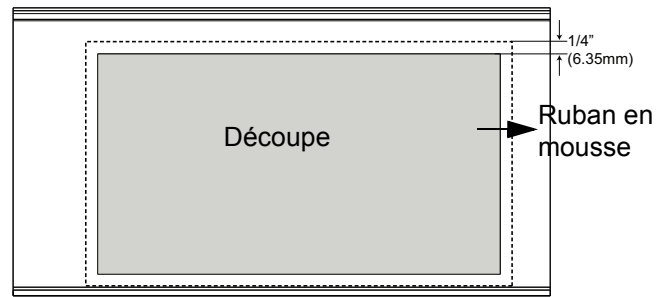


Figure 4: Découpe du comptoir – Pose d'un ruban en mousse

Installation de la table de cuisson

Insérer la table de cuisson dans la cavité. Installer les attaches des supports de fixation emballés avec la table de cuisson sur le boîtier brut. Utiliser la rondelle et les vis fournies.

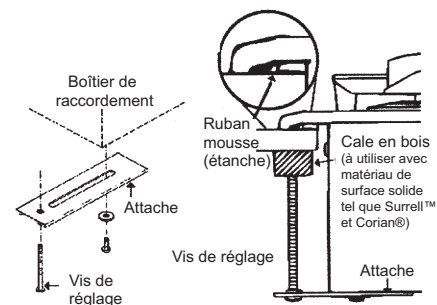


Figure 5: Pose des supports de fixation

Placer les supports de fixation dans la position souhaitée et serrer les vis sur le boîtier brut. Insérer les vis de réglage dans l'attache et fixer fermement la table de cuisson au plan de travail.

REMARQUE :

Installation avec des matériaux à surface solide : Insérer une cale de bois entre l'extrémité de la vis et la partie inférieure du plan de travail. Ne pas serrer à l'excès les vis de réglage. Couper l'excès de ruban d'aluminium le long du rebord de la table de cuisson.

Raccordement de l'alimentation de gaz

L'arrivée de gaz de l'appareil se trouve sur la droite à

l'arrière du boîtier brut.

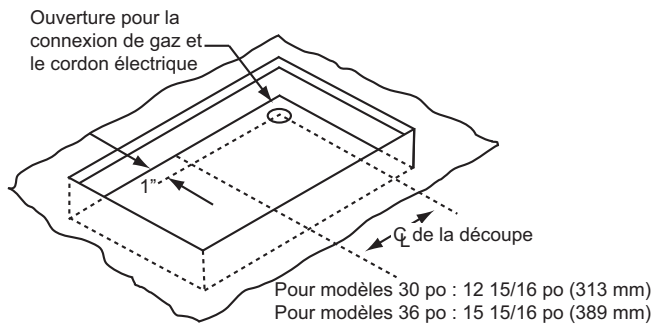


Figure 6: Zone du boîtier brut

Installez le régulateur de pression (fourni avec l'appareil) sur le tuyau collecteur en appliquant du pate a joint (resiste au PL et au gaz naturel) sur les filets du tuyau collecteur. Serrez de 1/4 de tour au-delà de la force manuelle, sans dépasser 1 tour pour l'alignement. Pour prévenir tout dommage possible au régulateur de pression de gaz, installer celui-ci une fois le boîtier brut fixé de manière permanente. Une fois le régulateur installé solidement sur le tuyau collecteur, l'écrou de conversion sera facile à atteindre.

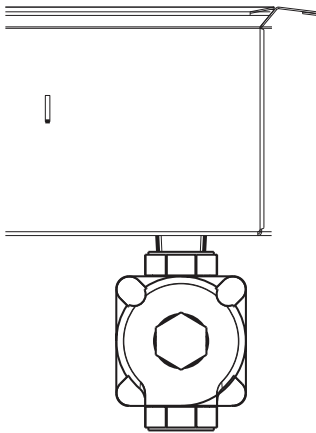


Figure 7: Régulateur de pression



ATTENTION :

Ne pas tenter de régler le régulateur de pression, sauf pour la conversion au gaz propane.

Raccordez la conduite d'alimentation de gaz au régulateur de pression de l'appareil à l'aide d'un raccord de conduite de gaz flexible de 1/2 po placé entre le robinet d'arrêt

manuel et le régulateur de pression. Toujours utiliser un tuyau flexible neuf.

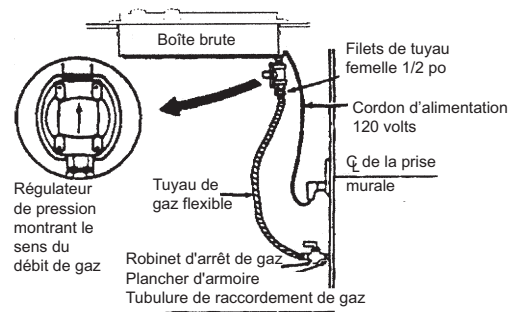


Figure 8: Emplacement du gaz et de l'électricité

Vérifier les connexions des tuyaux d'alimentation pour détecter d'éventuelles fuites à l'aide d'une solution savonneuse. Ne pas utiliser de flamme.

1. Ouvrir le gaz.
2. Appliquer un liquide de détection des fuites non corrosif sur tous les joints et raccords de la connexion de gaz entre le robinet d'arrêt et l'appareil. Inclure les joints et raccords de gaz de l'appareil si les connexions ont été perturbées pendant l'installation. Des bulles autour des raccords et connexions indiquent la présence d'une fuite.
3. S'il y a une fuite, fermer le robinet d'arrêt de gaz du tuyau d'alimentation et serrer les connexions.
4. Vérifier de nouveau les fuites en ouvrant le robinet d'arrêt de gaz du tuyau d'alimentation. Une fois la vérification terminée (il n'y a plus de bulles), le test est terminé.
5. Essuyer tout résidu provenant du liquide de détection.

Remarques importantes concernant les connexions de gaz :

- L'appareil et son robinet d'arrêt de gaz individuel doivent être débranchés de la tuyauterie d'alimentation en gaz lorsque vous effectuez des tests de pression de cette tuyauterie à une pression d'épreuve dépassant 1/2 psi (3,5 kPa).
- L'appareil doit être isolé de la tuyauterie d'alimentation en gaz en fermant le robinet d'arrêt manuel individuel lorsque vous effectuez des essais de pression sur la tuyauterie d'alimentation en gaz si la pression d'épreuve est égale ou inférieure à 1/2 psi (3,5 kPa)

Raccordement de l'alimentation électrique

Avant de brancher le cordon d'alimentation de 5 pi (1,5 m) sur la prise murale, s'assurer que le robinet d'arrêt de gaz et toutes les commandes de brûleur sont en position OFF (arrêt)

Pose des capuchons de brûleur



AVERTISSEMENT :

Pour éviter les poussées de flamme, ne pas utiliser la table de cuisson sans avoir correctement installé les capuchons et les grilles de brûleur.



AVERTISSEMENT :

Pour éviter les brûlures, ne pas toucher les capuchons de brûleur ni les grilles s'ils sont chauds. Éteindre la table de cuisson et laisser les brûleurs refroidir.

Les capuchons de brûleur doivent être bien placés pour que la table de cuisson puisse fonctionner correctement.

S'ils sont mal placés, le ou les problèmes suivants peuvent survenir :

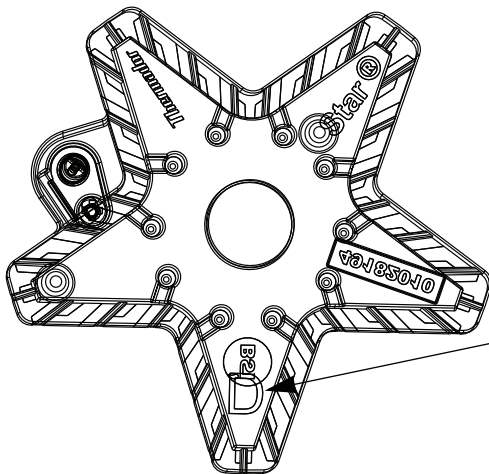
- Les flammes sont trop hautes.
- Les flammes se détachent des brûleurs.
- Les brûleurs ne s'allument pas.
- Les flammes s'allument de manière irrégulière.
- Une odeur de gaz se dégage des brûleurs.

Pose des capuchons de brûleur

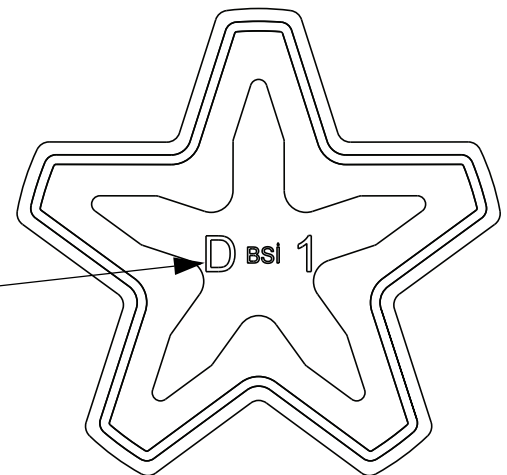
Chaque capuchon comporte une lettre (B, D, ou F) coulée dans la partie inférieure du capuchon correspondant à une lettre (B, D, ou F) coulée dans la base du brûleur solidaire de l'appareil.

- Une fois la connexion électrique effectuée, placer chaque capuchon de brûleur sur la base du brûleur correspondant suivant la lettre qui lui a été attribuée.
- Placez le capuchon de brûleur délicatement sur la base de manière à ce que les pattes de la base du brûleur s'ajustent parfaitement dans la fente du capuchon de brûleur.

Base de brûleur



Capuchon de brûleur



Désignation de lettre correspondante.

Figure 9: Capuchons de brûleur

Vérification du placement des capuchons de brûleur

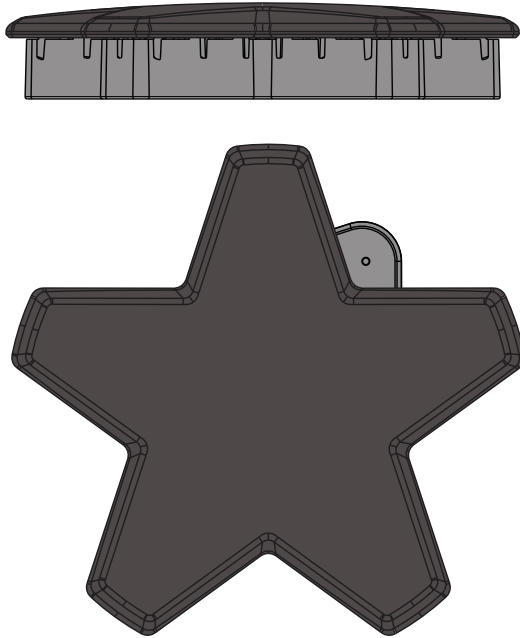
- Vérifiez qu'il n'y a pas d'espace entre le capuchon du brûleur et la base du brûleur. Voir la figure "Pose des capuchons de brûleur" pour connaître les façons

correcte et incorrecte d'installer le capuchon d'un brûleur.

- Vous pouvez essayer de déplacer légèrement le capuchon de brûleur d'un côté à l'autre pour vérifier s'il est bien placé. S'il est bien placé, le capuchon émettra

un léger bruit d'un côté et de l'autre au fur et à mesure que les pattes butent contre le rebord des fentes.

Placement correct des capuchons de brûleur



Placement incorrect des capuchons de brûleur

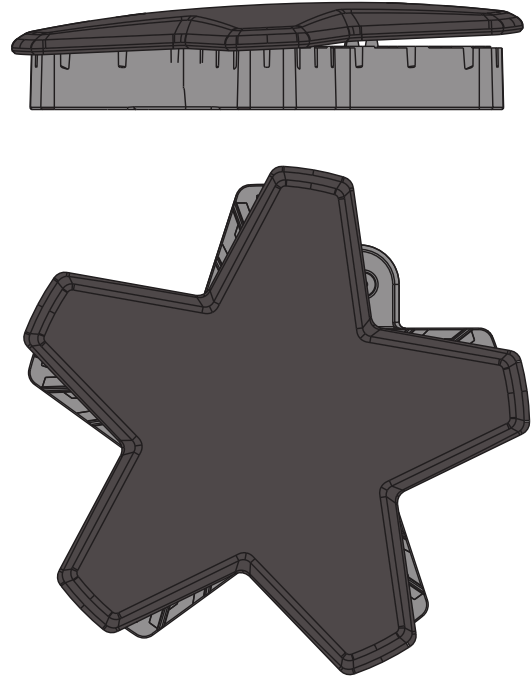
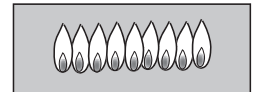


Figure 10: Pose des capuchons de brûleur

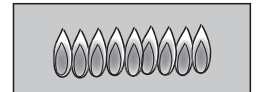
Vérification finale

Vérifier le fonctionnement des allumeurs électriques.
Vérifier les caractéristiques de la flamme. La flamme doit être bleue sans comporter de pointe jaune.

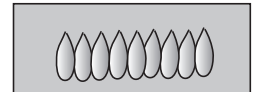
Flammes jaunes :
Réglage supplémentaire requis.



Pointes jaunes au niveau des cônes extérieurs :
Normal pour du gaz GPL.



Douces flammes bleues :
Normal pour du gaz naturel.



Si la flamme est entièrement jaune ou presque, vérifier que le régulateur est réglé pour le combustible approprié. Après le réglage, refaire le test.

Il est normal que la flamme présente des raies jaunes pendant la mise en marche initiale. Laisser l'appareil fonctionner pendant 4 à 5 minutes et vérifier de nouveau avant d'effectuer d'autres réglages.

Figure 11: Vérification des caractéristiques de la flamme

Dépannage

Avant d'appeler le service de dépannage

Si les allumeurs n'émettent pas d'étincelles ou si l'éclairage du voyant lumineux « On » ne fonctionne plus, vérifier l'alimentation de courant pour voir si un fusible s'est grillé ou si le disjoncteur s'est déclenché.

Consulter la garantie dans le Manuel d'utilisation et d'entretien. Pour des informations sur le dépannage, se reporter au Manuel d'utilisation et d'entretien.

Plaque signalétique du produit

La plaque signalétique donne les numéros de modèle et de FD (numéro d'identification unique du produit pour le service à la clientèle) de votre table de cuisson. Elle est située sur la face inférieure du boîtier brut, sous la table de cuisson.

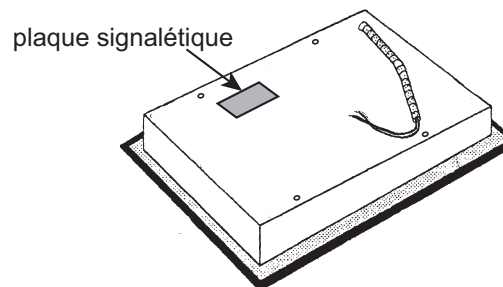


Figure 12: Emplacement de la plaque signalétique

Conserver la facture et les documents pertinents pour la validation de la garantie si une réparation s'avérait nécessaire.

Contenidos

Seguridad	1
Instrucciones de seguridad importantes	1
Instalación	3
Antes de comenzar	3
Herramientas y piezas necesarias	3
Piezas incluidas	3
Información general	3
Preparación	3
Procedimiento de instalación	5
Prepare la superficie de trabajo	5
Selle la placa con cinta de espuma	5
Instale la placa	5
Conecte la alimentación de gas	5
Conecte el suministro eléctrico	7
Colocación de la tapa de la hornilla	7
Verificación final	8
Servicio técnico	9
Antes de llamar al servicio técnico	9
Placa de datos del producto	9

Este electrodomestico de Thermador es hecho por
BSH Home Appliances Corporation
5551 McFadden Ave.
Huntington Beach, CA 92649

¿Preguntas?

1-800-735-4328

www.thermador.com

¡Esperamos oír de usted!

Seguridad



Instrucciones de seguridad importantes

LEA Y CONSERVE ESTAS INSTRUCCIONES

INSTALADOR: DEJE ESTAS INSTRUCCIONES CON EL ELECTRODOMÉSTICO CUANDO HAYA FINALIZADO LA INSTALACIÓN.

IMPORTANTE: GUÁRDELAS PARA USO DEL INSPECTOR LOCAL.

ADVERTENCIA:

No repare ni reemplace ninguna parte del electrodoméstico, a menos que se recomiende específicamente en los manuales. La instalación, el servicio técnico o el mantenimiento incorrectos pueden causar lesiones o daños materiales. Consulte este manual para su orientación. Cualquier otro tipo de reparación debe ser realizada por un técnico calificado.

Seguridad de los electrodomésticos a gas

ADVERTENCIA:

Si no sigue la información de este manual exactamente, se puede ocasionar un incendio o una explosión que puede causar daños materiales, lesiones personales o la muerte.

-- No almacene ni utilice materiales **combustibles, gasolina ni otros vapores y líquidos inflamables cerca de este electrodoméstico ni de cualquier otro.**

-- QUÉ DEBE HACER SI SIENTE OLOR A GAS

- **No intente encender ningún electrodoméstico.**
- **No toque ningún interruptor eléctrico.**
- **No use ningún teléfono en su edificio.**
- **Llame inmediatamente a su proveedor de gas desde el teléfono de un vecino. Siga las instrucciones del proveedor de gas.**
- **Si no puede comunicarse con su proveedor de gas, llame al departamento de bomberos.**

-- **La instalación y el servicio técnico deben ser realizados por un instalador calificado, una agencia de servicio técnico autorizada o el proveedor de gas.**

- Instale una válvula de paso de gas cerca del electrodoméstico. Esta válvula debe estar en un área fácilmente accesible en una emergencia.

- El instalador debe verificar que no haya fugas según las instrucciones de este manual.
- El electrodoméstico y su válvula de paso individual deben estar desconectados del sistema de tuberías de alimentación de gas durante cualquier prueba de presión, cuando la presión sea mayor que ½ psi (3.5 kPa).
- Se debe aislar el electrodoméstico del sistema de tuberías de alimentación de gas cerrando la válvula de paso manual individual durante cualquier prueba de presión del sistema de tuberías de alimentación de gas con presiones de prueba iguales o menores que ½ psi (3.5 kPa)
- La presión mínima de suministro debe ser 1" de columna de agua por encima de la presión de admisión impresa en la placa de datos.
- La presión máxima de suministro no debe exceder 14.0 pulgadas de columna de agua (34.9 milibares).
- Para instalaciones en Massachusetts:
 - La instalación debe ser realizada por un contratista calificado o con licencia, un plomero o gasista calificado o con licencia otorgada por el estado, la provincia o la región donde se instale este electrodoméstico.
 - La válvula de paso debe tener una llave de gas con mango en "T".
 - El conector de gas flexible debe ser nuevo y no debe medir más de 36 pulgadas.
- Nota para el instalador: muestre al propietario del electrodoméstico la ubicación de la válvula de paso de gas.

Instalación de gas propano

- El tanque de gas propano debe estar equipado con su propio regulador de alta presión. Además, se debe usar el regulador suministrado con esta unidad.
- El electrodoméstico es enviado de fábrica para uso con gas natural. Debe convertirse para utilizar propano. La conversión debe estar a cargo de un técnico o instalador calificado usando el kit de la conversión del propano líquido (SNLPK1TF).

Requisitos de seguridad de equipos y de uso

- La placa debe usarse junto con un sistema de ventilación adecuado.

- Este electrodoméstico viene equipado con un dispositivo de encendido intermitente/interrumpido. (Únicamente modelos SGSX305 y SGSX365)
- Retire toda la cinta y el embalaje antes de usar el electrodoméstico. Destruya el embalaje después de desembalar el electrodoméstico. Nunca deje que los niños jueguen con el material de embalaje.
- Nunca modifique ni altere la construcción del electrodoméstico. Por ejemplo, no retire los paneles, las cubiertas para cables ni los tornillos.
- Para eliminar el riesgo de quemaduras o incendio al tocar las unidades de la superficie calentadas, se debe evitar dejar espacio de almacenamiento en gabinetes sobre las unidades de la superficie. En el caso de que haya almacenamiento en gabinetes, se puede reducir el riesgo instalando una campana que se proyecte horizontalmente 5 pulgadas, como mínimo, desde la parte inferior del gabinete.
- Verifique que los gabinetes que se encuentran arriba de la placa tengan, como máximo, 13" (330 mm) de profundidad.

Seguridad con el manejo del electrodoméstico

- La unidad es pesada y se requieren al menos dos personas o un equipo adecuado para trasladarla.
- Las superficies ocultas pueden tener bordes filosos. Proceda con cuidado al intentar tomar el electrodoméstico por la parte trasera o desde abajo.

Códigos y normas de seguridad

- Este electrodoméstico cumple con una o más de las siguientes normas:
 - **UL 858, Norma de seguridad para estufas eléctricas de uso doméstico (Standard for the Safety of Household Electric Ranges)**
 - **UL 923, Norma de seguridad para electrodomésticos de cocción por microondas (Standard for the Safety of Microwave Cooking Appliances)**
 - **UL 507, Norma de seguridad para ventiladores eléctricos (Standard for the Safety of Electric Fans)**
 - **ANSI Z21.1, Norma nacional estadounidense para electrodomésticos a gas para cocinar de uso doméstico (American National Standard for Household Cooking Gas Appliances)**
 - **CAN/CSA-C22.2 N.º 113-M1984, Ventiladores (Fans and Ventilators)**
 - **CAN/CSA-C22.2 N.º 61-M89, Estufas de uso doméstico (Household Cooking Ranges)**
- Es responsabilidad del propietario y del instalador determinar si se aplican otros requisitos y/o normas en instalaciones específicas.

- La instalación debe cumplir con los códigos locales o, en el caso de que no haya códigos locales, con el Código Nacional de Gas Combustible (National Fuel Gas Code), ANSI Z223.1/NFPA 54.
- El electrodoméstico debe tener una conexión eléctrica a tierra de conformidad con los códigos locales o, en el caso de que no haya códigos locales, con el Código Nacional Eléctrico (National Electrical Code), ANSI/NFPA 70, última edición. (En Canadá, la instalación debe realizarse de conformidad con la norma CAN 1-B149.1 y .2 - Códigos de Instalación para Electrodomésticos de Combustión a Gas y/o los códigos locales).

Seguridad con la electricidad

- Antes de enchufar un cable eléctrico, asegúrese de que todos los controles estén en la posición OFF (Apagado).
- Para los electrodomésticos equipados con cable y enchufe, no corte ni retire la espiga de conexión a tierra. Debe enchufarse en un receptáculo de conexión a tierra compatible para evitar la descarga eléctrica. Si tiene alguna duda respecto de si el receptáculo de pared está correctamente conectado a tierra, el cliente debe solicitar la verificación de un electricista calificado.
- Este electrodoméstico debe instalarse de conformidad con el Código Nacional Eléctrico o el Código Eléctrico Canadiense (Canadian Electrical Code). La placa debe instalarse en un circuito derivado con conexión a tierra, sin interruptor del circuito de fallas de conexión a tierra (Ground Fault Circuit Interrupter, GFCI).
- Instalador: muestre al propietario la ubicación del disyuntor o del fusible. Márquela para identificarla más fácilmente.
- Importante: conserve estas instrucciones para uso del inspector de electricidad local.
- Antes de realizar la instalación, apague la alimentación eléctrica en el panel de servicio. Trabe el panel de servicio para impedir que se encienda accidentalmente la alimentación eléctrica.
- Asegúrese de que el electrodoméstico sea correctamente instalado y conectado a tierra por un técnico calificado. La instalación, las conexiones eléctricas y la conexión a tierra deben cumplir con todos los códigos correspondientes.

Instalación a altas altitudes

Esta estufa está certificada por CSA para una operación segura hasta una altura de 10,000 pies (3,000 m) sin ninguna modificación (excepto la conversión a gas, si aplica).

Instalación

Antes de comenzar

Herramientas y piezas necesarias

1. Destornillador con cabeza Phillips
2. Taladro con broca de 1/4" (6.5 mm)
3. Cinta métrica
4. Compuesto de tubería (resiste al PL y al gas natural)

Piezas incluidas

1. Cinta de espuma
2. Soportes de retención (4)
3. Tornillos, N.º 10 de 32 x 2 1/2" (63.8 mm) (4)
4. Tornillos autorroscantes, N.º 8 de 3/8" (9.5 mm) (4)
5. Arandelas (4)
6. Rejillas de las hornillas (3)
7. Tapas de las hornillas
Modelos de 36": (5)
Modelos de 30": (4) ó (5)
8. Regulador de presión

Si hay piezas faltantes o dañadas, llame al número o escriba a la dirección que aparecen en la parte interna de la contraportada.

Información general

Esta placa de cocción se puede instalar encima de cualquier horno empotrado de Thermador, siempre que un intervalo de aire de 0,5 pulgada separe la base de la placa de cocción y la parte superior del horno.

Dimensiones totales

	Modelos de 30" (76 cm)	Modelos de 36" (91 cm)
Ancho (De lado a lado)	31" (788 mm)	37" (940 mm)
Profundidad (De adelante hacia atrás)	21 1/4" (540 mm)	21 1/4" (540 mm)
Altura (De arriba hacia abajo)	3 13/16" (97 mm)	3 13/16" (97 mm)

* **NOTA:** Estas son dimensiones totales, NO las dimensiones del recorte.

Preparación

Requisitos eléctricos

Estos electrodomésticos requieren una conexión de 60 Hz, 15 A y 120 VCA. Planifique la instalación de modo que sea posible acceder a la conexión de alimentación eléctrica desde la parte delantera del gabinete.

Requisitos de gas

Presión de suministro:

- **Gas natural** - mínimo de 7 pulgadas de columna de agua (14.9 milibares).
- **Gas propano** - mínimo de 11 pulgadas de columna de agua (27.4 milibares).

El tanque de gas propano debe estar equipado con su propio regulador de alta presión y además, se debe usar el regulador de presión suministrado con esta unidad. La placa es enviada de fábrica para uso con gas natural. Para usar con el kit de conversión a propano líquido (Liquid propane, LP) – El modelo SNLPKITF debe comprarse por separado. La conversión debe estar a cargo de un técnico o instalador calificado.

Requisitos de gabinetes

Los requisitos de dimensiones de las Figuras 1 y 2 corresponden a las superficies combustibles. Cuando la superficie está protegida por un material incluido en el listado de UL como Protector para pisos y Protector para paredes recubiertos con una plancha de metal, al menos, N.º 28 MSG, de acero inoxidable de 0.015 pulgadas (0.38 mm), aluminio o cobre de 0.024 pulgadas (0.6 mm), la superficie se considera no combustible, y es posible que se reduzcan algunas dimensiones. Para una superficie no combustible sobre la placa, el espacio libre mínimo es de 24" (61 cm) en lugar de 30" (76 cm).

- Las instrucciones se basan en gabinetes estándares de los EE. UU., de 36" (91 mm) de alto y 24" (61 mm) de profundidad con una superficie de trabajo de 25" (63 mm).
- Deje una apertura de aproximadamente 10 pulgadas cuadradas (65 cm²) en el área del panel de pie o en otra área del gabinete si se instala con una corriente descendente.
- La profundidad máxima del gabinete que se instala debajo de la placa es de 13" (33 cm).

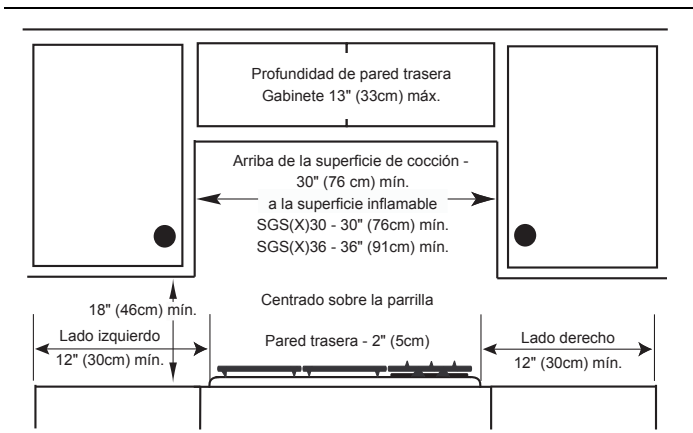


Figura 1: Dimensiones instaladas (desde los bordes de la placa)

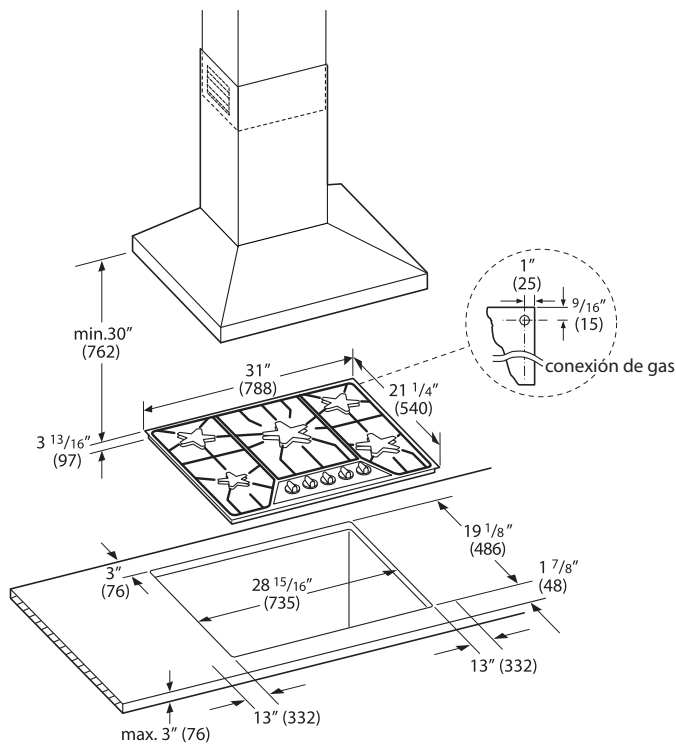
Nota:

Se deben seguir estrictamente todas las medidas proporcionadas. Si se utilizan gabinetes no estándares, asegúrese de que se instalen con las dimensiones mínimas indicadas en las Figura 1 y Figura 2.

Planifique la instalación de la unidad de modo que se pueda acceder al cable de alimentación, la válvula de paso de gas y el regulador de presión de gas desde la parte delantera del gabinete.

Requisitos de la superficie de trabajo

Modelos de 30" (76 cm):



Modelos de 36" (91 cm):

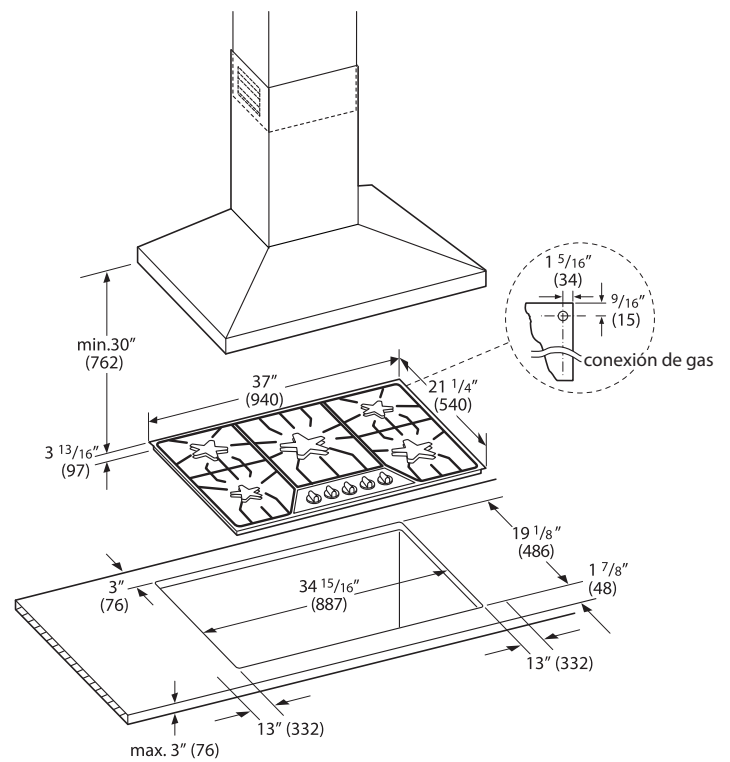


Figura 2: Dimensiones del recorte

Requisitos de montaje

Use los soportes de montaje suministrados. Consulte "Instale la placa" en la página 5 para obtener más detalles.

Recomendaciones de ventilación

La placa debe usarse junto con un sistema de ventilación adecuado.

Procedimiento de instalación



ADVERTENCIA:

Para evitar el peligro de descarga eléctrica, antes de instalar la placa, apague la alimentación eléctrica en el panel de servicio para impedir que se encienda accidentalmente.

Prepare la superficie de trabajo

Recorte la superficie de trabajo de acuerdo con las dimensiones indicadas en *"Requisitos de gabinetes"* en la página 3.

Algunos materiales de superficies sólidas, como Surell™ y Corian®, requieren diferentes métodos de corte. Consulte con el fabricante de la superficie sólida para conocer el método de corte correcto necesario. Coloque cinta termorreflectante como cinta de papel de aluminio Scotch N.º 425 ó 427 (no incluida) alrededor del recorte de modo que se pliegue sobre la parte superior y los laterales de la placa. No pase la cinta por debajo de la placa. Asegúrese de que la cinta se extienda más allá de la brida más externa de la placa. Todas las esquinas deben estar cubiertas con cinta.

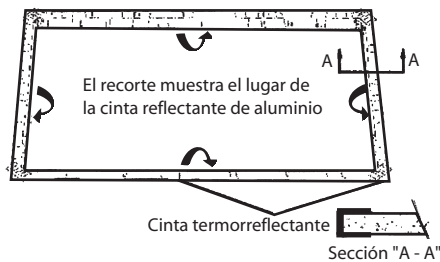


Figura 3: Recorte de la superficie de trabajo – Superficies de trabajo sólidas

Selle la placa con cinta de espuma

Coloque cinta de espuma autoadhesiva en un rectángulo continuo directamente sobre la superficie de trabajo, alrededor del perímetro del recorte, como se muestra en la línea punteada de la Figura 4: *"Recorte de la superficie de trabajo – Colocación de la cinta de espuma"*. Deje una

Conecte la alimentación de gas

La entrada de gas de la unidad se encuentra en la parte

separación de 1/4" (6.35 mm) entre la cinta de espuma y el borde del recorte.

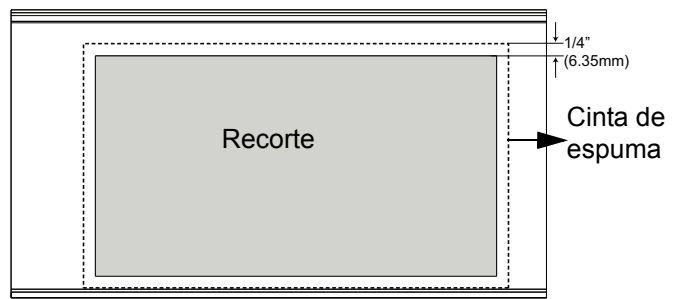


Figura 4: Recorte de la superficie de trabajo – Colocación de la cinta de espuma

Instale la placa

Introduzca la placa en el recorte. Enganche las abrazaderas de los soportes de retención embaladas con la placa a la caja empotrada. Use la arandela y los tornillos suministrados.

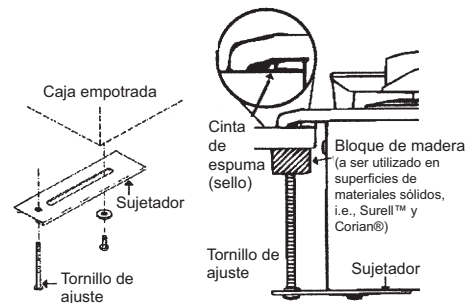


Figura 5: Colocación de los soportes de retención

Ajuste los soportes de retención en la posición deseada y apriete los tornillos a la caja empotrada. Introduzca el tornillo de ajuste en la abrazadera y asegure la placa a la superficie de trabajo.

Nota:

Para instalaciones de materiales de superficies sólidas: Introduzca un bloque de madera entre el extremo del tornillo y la parte inferior de la superficie de trabajo. No apriete el tornillo de ajuste en exceso. Recorte la cinta de aluminio excedente alrededor de la brida de la placa.

posterior derecha de la caja empotrada.

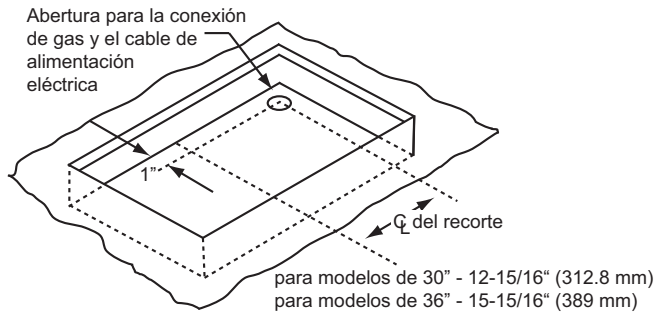


Figura 6: Área de la caja empotrada

Instale el regulador de presión (suministrado con la unidad) en el tubo del múltiple usando compuesto de tubería (resiste al PL y al gas natural) sobre las roscas del tubo del múltiple. Gire para apretar a mano y agregue 1/4 de vuelta, pero no dé más de una vuelta para alinearlos. Para evitar posibles daños al regulador de presión de gas, instálolo después de que la caja empotrada esté colocada en su posición permanente. Cuando el regulador esté firmemente instalado en el tubo del múltiple, la tuerca de conversión quedará en un área fácilmente accesible.

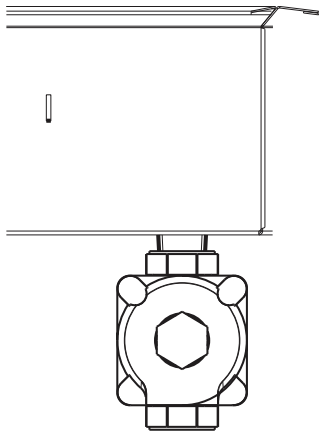


Figura 7: Regulador de presión



PRECAUCIÓN:

No intente ajustar el regulador de presión, salvo para realizar la conversión a propano.

Conecte la línea de alimentación de gas al regulador de presión de la unidad usando un conector de línea de gas flexible de 1/2" entre la válvula de paso manual y el

regulador de presión. Siempre use una línea flexible nueva.

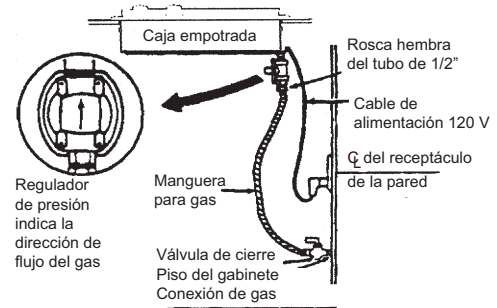


Figura 8: Ubicación de la instalación eléctrica y el gas

Verifique que no haya fugas en las conexiones de la línea de alimentación usando una solución de jabón. No use ningún tipo de llama.

1. Encienda el gas.
2. Coloque un líquido de detección de fugas no corrosivo en todas las juntas y los conectores de la conexión de gas entre la válvula de paso y la estufa. Incluya los conectores de gas y las juntas en la estufa si existe la posibilidad de que se hayan movido las conexiones durante la instalación. La presencia de burbujas alrededor de los accesorios y las conexiones indican una fuga.
3. Si se produce una fuga, apague la válvula de paso de gas de la línea de alimentación y apriete las conexiones.
4. Vuelva a verificar que no haya fugas abriendo la válvula de paso de gas de la línea de alimentación. Cuando haya finalizado de verificar que no haya fugas (no hay burbujas), la prueba está completa.
5. Limpie todos los restos de líquido de detección.

Notas importantes para la conexión de gas:

- El electrodoméstico y su válvula de paso individual deben estar desconectados del sistema de tuberías de alimentación de gas durante cualquier prueba de presión de ese sistema con presiones de prueba mayores que 1/2 psi (3.5 kPa).
- Se debe aislar el electrodoméstico del sistema de tuberías de alimentación de gas cerrando la válvula de paso manual individual durante cualquier prueba de presión del sistema de tuberías de alimentación de gas con presiones de prueba iguales o menores que 1/2 psi (3.5 kPa)

Conecte el suministro eléctrico

Antes de conectar el cable de alimentación de 5 pies (1.5 m) al receptáculo de pared, asegúrese de que la válvula de paso de gas y todos los controles de las hornillas estén en la posición OFF (Apagado).

Colocación de la tapa de la hornilla



ADVERTENCIA:

Para evitar llamaradas, no use la placa sin que todas las tapas de las hornillas y todas las rejillas de las hornillas estén colocadas en la posición correcta.



ADVERTENCIA:

Para prevenir quemaduras, no toque las tapas ni las rejillas de las hornillas mientras estén calientes. Apague la placa y deje enfriar las hornillas.

Las tapas de las hornillas deben colocarse correctamente para que la placa funcione bien. Si la tapa de la hornilla no

se coloca correctamente, es posible que se produzcan uno o más de los siguientes problemas:

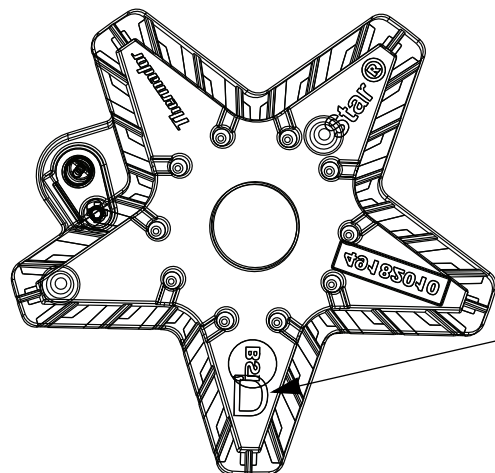
- Las llamas de la hornilla son demasiado altas.
- Las llamas salen disparadas de las hornillas.
- Las hornillas no se encienden.
- Las llamas de la hornilla se encienden de manera dispareja.
- La hornilla emite olor a gas.

Colocación de las tapas de las hornillas

Cada tapa tiene una letra (B, D o F) grabada en la parte inferior de la tapa que corresponde a una letra (B, D o F) grabada en la base de la hornilla que está conectada al electrodoméstico.

- Después de que se haya finalizado la conexión eléctrica, coloque la tapa de cada hornilla en la base de la hornilla correcta según la designación de letra correspondiente.
- Coloque la tapa de la hornilla suavemente sobre la base, de modo que los dientes de la base de la hornilla calcen bien en la ranura de la tapa de la hornilla.

Base de la hornilla



Designación de letra correspondiente

Tapa de la hornilla

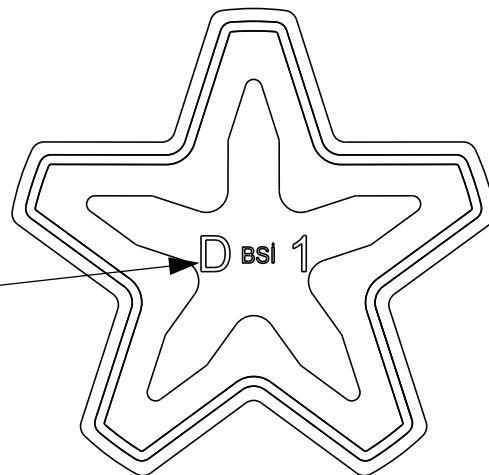


Figura 9: Tapas de las hornillas

Verificación de colocación de la tapa de la hornilla

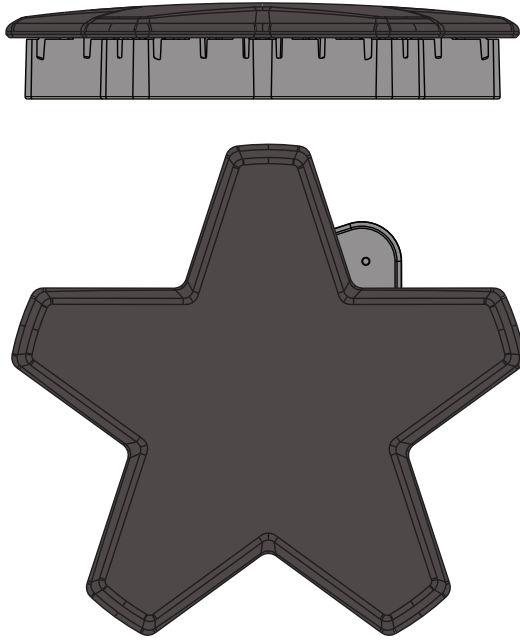
- Asegúrese de que no haya ninguna separación entre la tapa de la hornilla y la base de la hornilla. Consulte la figura "Colocación de la tapa de la hornilla" para ver

la colocación correcta e incorrecta de la tapa de la hornilla.

- También puede intentar mover suavemente la tapa de la hornilla de un lado a otro para verificar si está colocada correctamente. Si está colocada correctamente, la tapa se irá enganchando a presión

de un lado al otro a medida que los dientes toquen el reborde de la ranura.

Colocación correcta de la tapa de la hornilla



Colocación incorrecta de la tapa de la hornilla

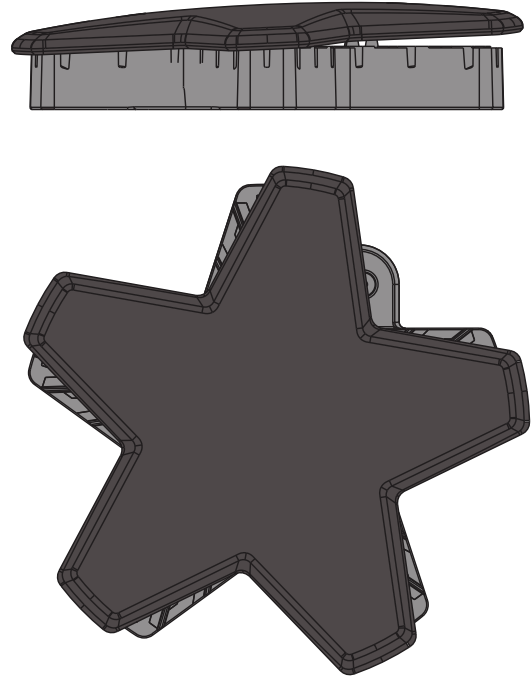


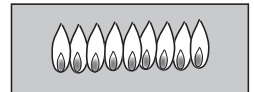
Figura 10: Colocación de la tapa de la hornilla

Verificación final

Verifique que los encendedores eléctricos funcionen. Verifique las características de la llama. La llama debe ser azul, sin puntas amarillas.

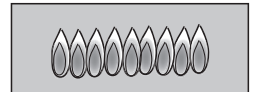
Llamas amarillas:

Se requiere un ajuste adicional.



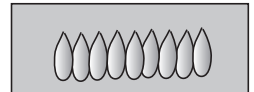
Puntas amarillas en conos externos:

Normal para gas LP.



Llamas celestes:

Normal para gas natural.



Si la llama es amarilla completamente o en su mayor parte, verifique que el regulador esté programado para el combustible correcto. Después de reajustarla, vuelva a probarla.

Ver algunas vetas amarillas es normal durante el encendido inicial. Deje que la unidad opere durante 4 ó 5 minutos y vuelva a evaluar antes de realizar ajustes.

Figura 11: Verificación de las características de las llamas

Servicio técnico

Antes de llamar al servicio técnico

Si los encendedores no echan chispas, o los indicadores luminosos de "encendido" no brillan, verifique la fuente de alimentación para ver que no se haya quemado un fusible ni se haya desconectado el disyuntor.

Consulte la garantía en el Manual de uso y cuidado. Para obtener información sobre resolución de problemas, consulte el Manual de uso y cuidado.

Placa de datos del producto

La placa de datos muestra el modelo y el número de FD (número de identificación único del producto para el servicio de atención al cliente) de su placa. Se encuentra en la parte inferior de la caja empotrada, debajo de la placa.

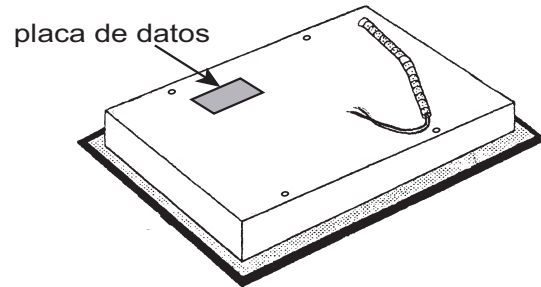


Figura 12: Ubicación de la placa de datos

Conserve su factura o los papeles de depósito para la validación de la garantía si necesita solicitar el servicio técnico.

Thermador[®] | *An American Icon*[™]

5551 McFadden Avenue, Huntington Beach, CA 92649 • 800-735-4328 • www.thermador.com
9000276487 • 5V0DWS • Rev. E • 10/08 © BSH Home Appliances Corporation, 2008 • All rights reserved
Litho in USA