

Installation

INSTRUCTIONS

Pro Harmony[®] and Pro Grand[®] High Altitude Conversion Kit



Installation

INSTRUCTIONS

Pro Harmony[®] and Pro Grand[®] High Altitude Conversion Kit

Table of contents (English) 3
Table de matières (Français)..... 16
Índice de materias (Español)..... 29

**Models |
Modèles |
Modelos:**

PAALTKITGW
PAALTKITHW
12025444

Table of CONTENTS

Safety 4
 Important safety instructions 4
 High altitude instructions..... 6
 Before you begin 6
 Natural gas units above 5,400 ft. and up to 10,200 ft.... 6
 Checklist 6
 Propane gas units from 10,000 ft. to 10,200 ft..... 7
 Checklist 7
 Installation procedure..... 8
 Changing the STAR® burner orifices 8
 Disassembling the rangetop 9
 Setting the STAR burner valve screws..... 9
 Changing the broil orifice, on GAS ranges only 10
 Changing the bake orifice, on GAS ranges only 11
 Checking for gas leaks 14
 Reassembling the appliance 14
 Checking the flame and burner performance..... 14
 Support, accessories, and parts.....back page

Safety DEFINITIONS

▲ WARNING

This indicates that death or serious injuries may occur as a result of non-observance of this warning.

▲ CAUTION

This indicates that minor or moderate injuries may occur as a result of non-observance of this warning.

NOTICE: This indicates that damage to the appliance or property may occur as a result of non-compliance with this advisory.

Note: This alerts you to important information and/or tips.

This THERMADOR® appliance is made by
 BSH Home Appliances Corporation
 1901 Main Street, Suite 600
 Irvine, CA 92614

Questions?
 1-800-735-4328
 www.thermador.com

We look forward to hearing from you!

⚠ IMPORTANT SAFETY INSTRUCTIONS **READ AND SAVE THESE INSTRUCTIONS**


Please read carefully

Save the original gas parts for possible conversion back in the future.

Important: Only a qualified service technician or installer should make this conversion.

Installer: Please leave these instructions with this unit for the owner.


Owner: Please retain these instructions for future reference.

WARNING	
	If the information in this manual is not followed exactly, a fire or explosion may result causing property damage, personal injury or death.
--	DO NOT store or use gasoline or other flammable vapors and liquids in the vicinity of this or any other appliance.
--	WHAT TO DO IF YOU SMELL GAS
	<ul style="list-style-type: none">• DO NOT try to light any appliance.• DO NOT touch any electrical switch.• DO NOT use any phone in your building.• Immediately call your gas supplier from a neighbor's phone. Follow the gas supplier's instructions.• If you cannot reach your gas supplier, call the fire department.
--	Installation and service must be performed by a qualified installer, service agency or the gas supplier.

This kit is for converting Thermador appliances for operation at altitudes above 5,400 ft. This kit contains orifices for proper high altitude conversion for oven bake, broiler, and STAR® burners.

These instructions advise you at what elevations and which models you will need to convert your appliance for proper operation at high altitude regions. It further instructs you which parts of the appliance will need to convert to high altitudes.

This kit cannot be used to convert older models of ranges. This kit cannot be used to convert any other brand of appliance.

WARNING	
	This conversion kit shall be installed by a qualified service agency in accordance with the manufacturer's instructions and all applicable codes and requirements of the authority having jurisdiction. If the information in these instructions is not followed exactly, a fire, explosion or production of carbon monoxide may result causing property damage, personal injury or loss of life. The qualified service agency is responsible for the proper installation of this kit. The installation is not proper and complete until the operation of the converted appliance is checked as specified in the manufacturer's instructions supplied with the kit.

For Massachusetts installations

1. Installation must be performed by a qualified or licensed contractor, plumber, or gas fitter qualified or licensed by the state, province or region.
2. Shut-off valve must be a "T" handle gas cock.
3. Flexible gas connector must not be longer than 36 inches.

IMPORTANT SAFETY INSTRUCTIONS

READ AND SAVE THESE INSTRUCTIONS

The following must be met when testing supply piping system:

- The appliance and its individual shut-off valve must be disconnected from the gas supply piping system at test pressures in excess of 1/2 psig (3.5 kPa).
- The appliance must be isolated from the gas supply piping system by closing its individual manual shut-off valve during any pressure testing of the gas supply piping system at test pressures equal to or less than 1/2 psig (3.5 kPa).

State of California Proposition 65 Warning:

WARNING

This product can expose you to chemicals including vinyl chloride, which is known to the State of California to cause cancer and birth defects or other reproductive harm. For more information go to www.P65Warnings.ca.gov.

WARNING

NEVER leave the gas conversion partially completed. If the appliance is operated while the gas conversion is incomplete, high levels of carbon monoxide may be emitted, or a fire or explosion may occur.

To the service agent

It is important that you know the following **BEFORE** you begin the conversion of the appliance.

- Confirm that the gas supply system is available and ready to use. This is particularly important for new construction.
- Verify the type of gas supplied to the location. Ensure that the appliance is connected to the type of gas for which it is certified.
- You must plan for sufficient time and resources to perform the conversion process properly and completely before leaving the job site. Every step described in these instructions must be performed to safely convert the appliance for proper operation at high altitudes. **INCOMPLETE OR INADEQUATE CONVERSION OF THE APPLIANCE CAN CREATE A SAFETY HAZARD.**

Gas and dual fuel ranges converted for propane (LP) gas and high altitude

The appliance must first be converted for use with propane (LP) gas before it can be converted for use at high altitude. It is required that a qualified service technician install the propane (LP) conversion kit and the high altitude kit.

High altitude instructions

Before you begin

▲ CAUTION

Before proceeding with the conversion, shut off the gas supply to the appliance prior to disconnecting the electrical power.

Tools needed

- T-20 torx driver
- 7/16" box end wrench
- 13/16" box end wrench
- 7 mm or a 9/32" socket
- 1/4" nut driver
- 16 mm hex bit or 5/8" hex bit
- Adjustable wrench
- Soap and water mixture or leak-check solution

Parts included

Pro range natural gas high altitude kit for cavity burners, above 5,400 ft. and up to 10,200 ft.	Qty.
Screwdriver, 1/8" x 0.20"	1
Orifice, 2.06 mm (206), 36/48" Harmony main oven bake	1
Orifice, 1.85 mm (185), 48" Grand aux oven bake	1
Pro range LP gas high altitude kit for STAR and cavity burners, from 10,000 ft. to 10,200 ft.	Qty.
Screwdriver, 1/8" x 0.20"	1
Orifice, 1.26 mm (126), STAR burner	3
Orifice, 1.20 mm (120), Harmony/Grand, main oven broil	1

Converting natural gas units above 5,400 ft. and up to 10,200 ft.

Change only the following oven bake burners. All other bake burners shall remain the same.

36" and 48" Pro Harmony (PRGxxxWxH)	Orifice no.
Main oven bake burner only	2.06 mm (206)
48" Pro Grand (PRGxxxWxG)	Orifice no.
Auxiliary oven bake burner only	1.85 mm (185)

Checklist

Each of the following steps must be completed correctly for the appliance to function properly. Check off each step as it is finished.

36" and 48" Pro Harmony models (PRGxxxWxH)

<input type="checkbox"/> Step 1	Remove the oven door (page 11).
<input type="checkbox"/> Step 2	Remove the kick and front panels (page 13).
<input type="checkbox"/> Step 3	Change the main oven bake burner orifice to the 2.06 mm (206) orifice (page 11 – page 13).
<input type="checkbox"/> Step 4	Check the oven for gas leaks (page 14).
<input type="checkbox"/> Step 5	Reassemble the door, kick and front panels.

48" Pro Grand models (PRGxxxWxG)

<input type="checkbox"/> Step 1	Remove the oven door (page 11).
<input type="checkbox"/> Step 2	Remove the kick and front panels (page 13).
<input type="checkbox"/> Step 3	Change the auxiliary oven bake burner orifice to the 1.85 mm (185) orifice (page 11 – page 13).
<input type="checkbox"/> Step 4	Check the oven for gas leaks (page 14).
<input type="checkbox"/> Step 5	Reassemble the door, kick and front panels.

Converting propane gas units from 10,000 ft. to 10,200 ft.

Change only the following STAR® burner and oven orifices. All other burners shall remain the same.

36" and 48" Pro Harmony PR(L/D)xxxWxH(U/C)	Orifice no.
All front STAR® burners only	1.26 mm (126)
All rear STAR burners	Remain unchanged

48" Pro Harmony and 36" Pro Grand (PRL48xWxH and PRL36xWxG)	Orifice no.
Main oven broil <ul style="list-style-type: none"> • 48" Pro Harmony (PRL48xWxH) • 36" Pro Grand (PRL36xWxG) 	1.20 mm (120)
All other range models' ovens and STAR burners	Remain unchanged

Checklist

Each of the following steps must be completed correctly for the appliance to function properly. Check off each step as it is finished.

36" Pro Harmony models (PR(G/L/D)xxxWxH(U/C))

<input type="checkbox"/> Step 1	Change only the front burner orifices to the 1.26 mm (126) orifices (page 8).
<input type="checkbox"/> Step 2	Set the valve screws for the front STAR burners only (page 9).
<input type="checkbox"/> Step 3	Check the rangetop for gas leaks (page 14).
<input type="checkbox"/> Step 4	Reassemble the rangetop.

48" Pro Harmony models (PR(G/L)48xWxH)

<input type="checkbox"/> Step 1	Change only the front burner orifices to the 1.26 mm (126) orifices (page 8).
<input type="checkbox"/> Step 2	Set the valve screws for the front STAR burners only (page 9).
<input type="checkbox"/> Step 3	Remove the oven door (page 11).
<input type="checkbox"/> Step 4	Remove the kick and front panels (page 13).
<input type="checkbox"/> Step 5	Change the main oven broil burner orifice to the 1.20 mm (120) orifice (page 10 – page 11).
<input type="checkbox"/> Step 6	Check the rangetop and oven for gas leaks (page 14).
<input type="checkbox"/> Step 7	Reassemble the rangetop, door, kick and front panels.

36" Pro Grand models (PR(G/L)36xWxG)

<input type="checkbox"/> Step 1	Remove the kick and front panels (page 13).
<input type="checkbox"/> Step 2	Change the broil burner orifice to the 1.20 mm (120) orifice (page 10 – page 11).
<input type="checkbox"/> Step 3	Check the oven for gas leaks (page 14).
<input type="checkbox"/> Step 4	Reassemble the door, kick and front panels.

Installation procedure

Changing the STAR[®] burner orifices

Only necessary for converting propane gas units from 10,000 ft. to 10,200 ft.

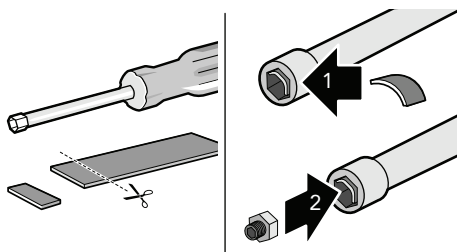
Change only the following orifices. All other STAR burners shall remain the same.

36" and 48" Pro Harmony PR(L/D)xxxWxH(U/C)	Orifice no.
All front STAR [®] burners only	1.26 mm (126)
All rear STAR burners	Remain unchanged

To prepare the nut driver for the STAR burner orifice conversions

The foam tape helps to hold the orifice in the end of the nut driver so it will not fall inside the appliance during orifice removal or installation.

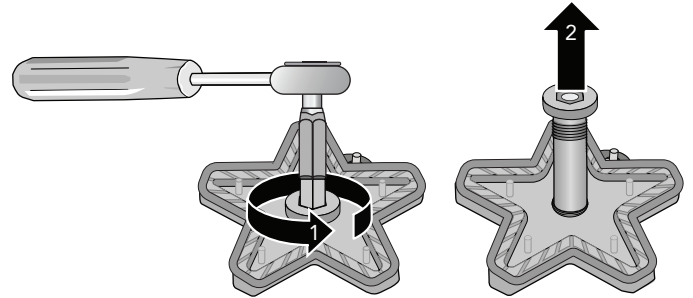
1. Trim a small piece of the foam tape provided with this kit (about 1/4" x 1/2" / 6 x 12 mm).
2. Place foam tape over the edge of a 7 mm or a 9/32" socket with 1/4" nut driver used to replace the burner orifices, as shown below.



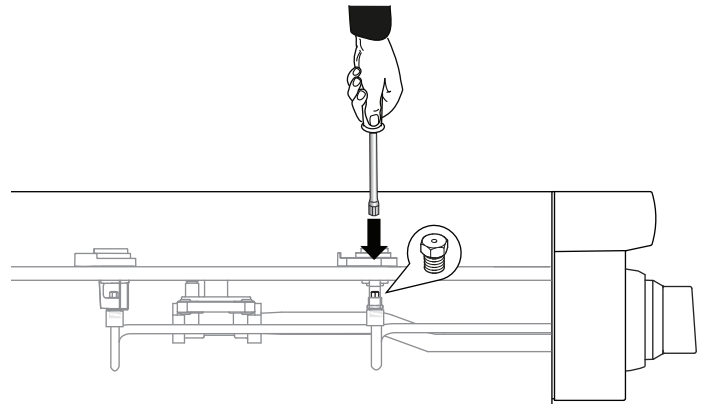
To remove the STAR burner orifices

1. Remove the rangetop grates and the burner caps.
2. Use a 16 mm hex head bit for burners labeled 'D' or 'F'. Use a 9 mm hex head bit for burners labeled 'B' to remove the burner venturi from each burner base.

TIP: If a 16 mm hex head bit is not readily available, a 5/8" hex bit can be selected. Alternatively, a bolt with 5/8" head either "double-nutted" or tightened into the chuck of a power driver can be used.



3. With the foam tape wrapped nut driver, reach down through the jet holders and carefully remove the gas orifice from the STAR burner's jet holder.



To replace the rangetop STAR burner orifices

1. Locate the proper STAR burner orifices included with the kit. Orifices are stamped with the orifice diameter size on the side.
2. Replace orifices as indicated in the table.



All front STAR burners only	1.26 mm (126)
All rear STAR burners	Remain unchanged

NOTE: All of the replacement orifices in the conversion kit have straight threads (not pipe threads) and do not require thread sealing compound.

Disassembling the rangetop

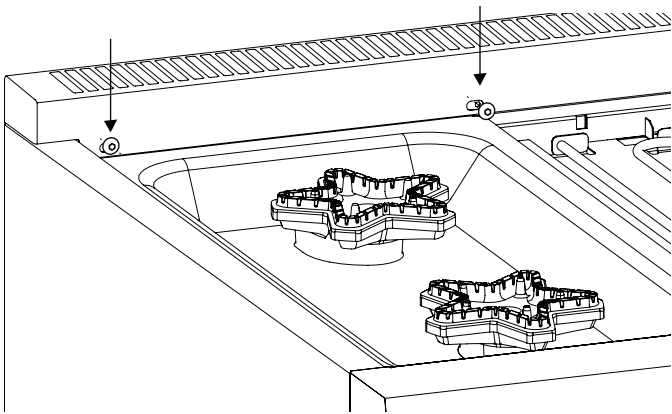
Only necessary if an orifice is dropped inside the rangetop

⚠ CAUTION

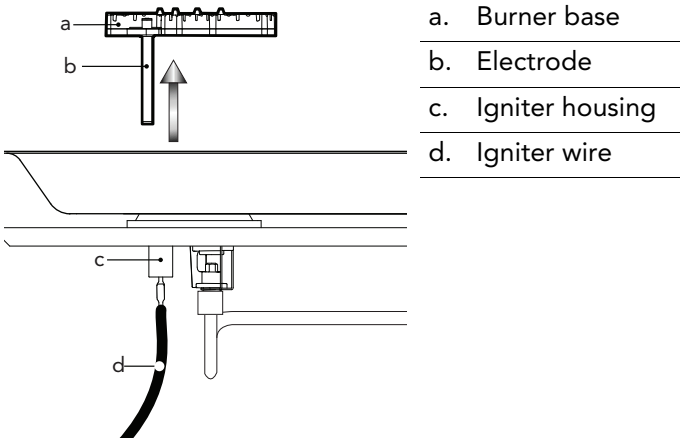
Shut off the gas supply to the appliance prior to disconnecting the electrical power.

To disassemble the rangetop

1. To facilitate the removal of the spill tray, remove the T-20 torx screws in the front face of the island trim or backguard.



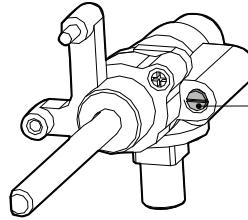
2. Disconnect the igniter. Carefully pull up on the burner base.



5. Carefully remove each burner pedestal.
6. Remove the spill trays by rotating the trays up and out the back.
7. Remove the heat shield on some models. Some models have a double-width shield that extends under the adjacent spill tray.

Setting the STAR[®] burner valve screws

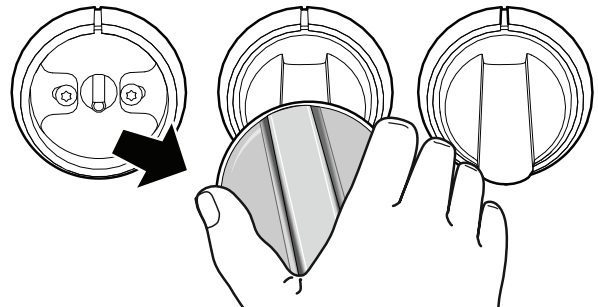
Only necessary for converting propane gas units from 10,000 ft to 10,200 ft.



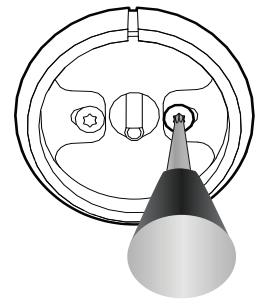
A flat-head screwdriver with an 1/8" [3.0 mm] wide, .020" [0.50 mm] thickness tip (included) is used to adjust the valve screws.



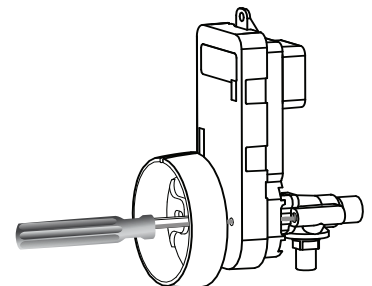
1. Remove the knob from the valve stem by slowly pulling knob straight out, away from the control panel.



2. Remove the bezel-mounting screw located to the right of the valve stem, using a T-20 torx screwdriver.



3. Insert a 1/8" flat-blade screwdriver into the hole of the bezel mounting screw. Access to the valve screws through clearance hole in the spark module. You should feel the engagement of the screwdriver and the valve screw.



4. Adjust the valve screw by turning the valve screw about an 1/8th turn clockwise to reduce simmer flame size. Turn the screw counter-clockwise to make the simmer flame larger. Adjust the valve screw as little as required to reach satisfactory simmer results. Due to normal fluctuations in gas pressure, over-adjustment of valve screw may affect flame stability.
5. Perform a gas leak test of each orifice and associated supply tube fittings. See "Checking for gas leaks" on page 14. Leak-checking should occur after the orifice conversion is complete, and before the burner is reassembled and tested.

Changing the broil orifice, on GAS ranges only

Only necessary for converting propane gas units from 10,000 ft to 10,200 ft.

⚠ CAUTION

After the replacement of the broiler orifice, and before reassembly of the back panel and backguard to the range, perform a brief gas leakage check of the orifice and associated fittings, per the "Checking for gas leaks" section of these instructions.

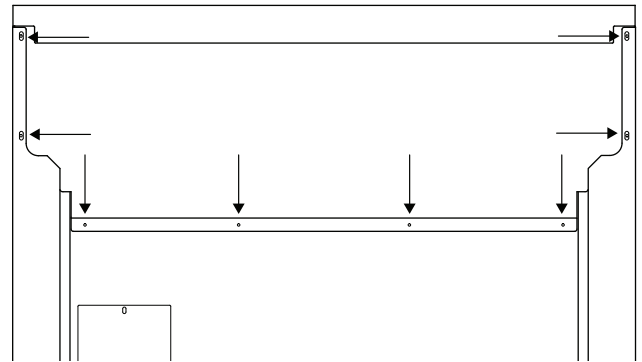
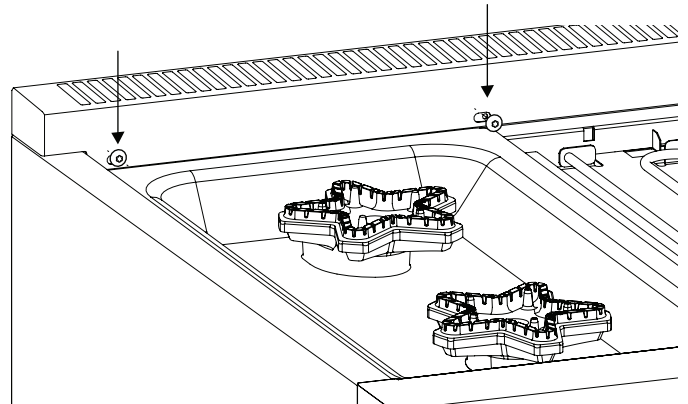
NOTE: Dual Fuel ranges have electric ovens and do not have a broil orifice.

Change only the following oven broil orifices. All other orifices shall remain the same.

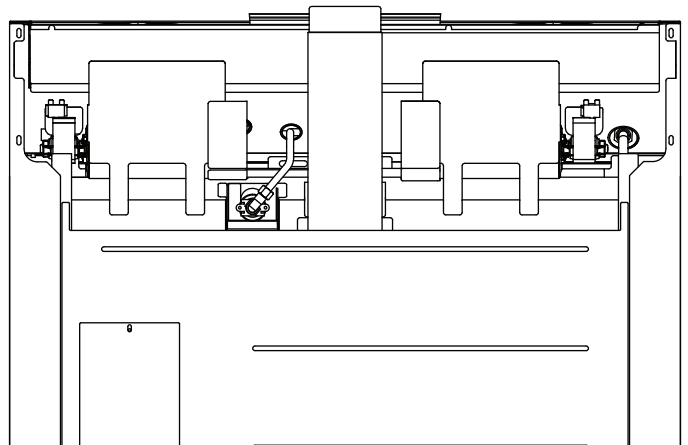
48" Pro Harmony and 36" Pro Grand (PRL48xWxH and PRL36xWxG)	Orifice no.
Main oven broil <ul style="list-style-type: none"> • 48" Pro Harmony • 36" Pro Grand 	1.20 mm (120)

Removing the backguard assembly

1. Use a T-20 torx screwdriver to remove the screws from the front and rear panel of the backguard assembly.



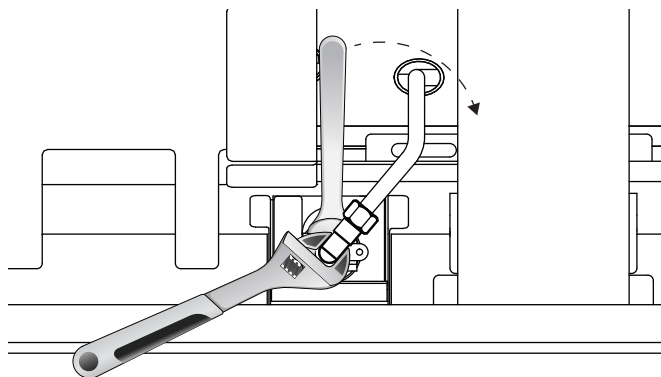
2. Carefully lift the backguard assembly from the range.



Changing the broil burner orifice

1. Remove the broil orifice using a 7/16" box end wrench, while restraining the elbow fitting from rotation using a small adjustable wrench.

IMPORTANT: DO NOT bend the broil burner orifice bracket. Ensure that the broiler orifice is aligned to the center of the burner tube inlet.



2. Replace the orifices as indicated in the table.

48" Pro Harmony and 36" Pro Grand (PRL48xWxH and PRL36xWxG)	Orifice no.
Main oven broil <ul style="list-style-type: none"> • 48" Pro Harmony • 36" Pro Grand 	1.20 mm (120)

NOTE: The replacement broil orifices have straight threads (not tapered threads) and **DO NOT** require thread sealing compound.

3. Perform a gas leakage check of the orifice and associated supply tube fittings, per the "Check for gas leaks" section of these instructions.

Changing the bake orifice, on GAS ranges only

Only necessary for converting natural gas units above 5,400 ft. and up to 10,200 ft.

NOTE: Dual Fuel ranges have electric ovens and do not have a bake orifice.

Change only the following oven bake orifices. All other orifices shall remain the same.

36" and 48" Pro Harmony (PRGxxxWxH)	Orifice no.
Main oven bake burner only	2.06 mm (206)

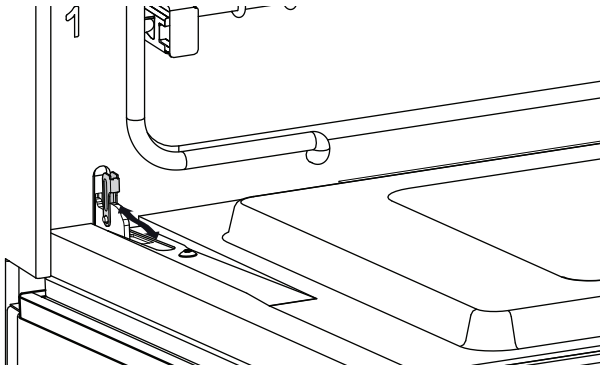
48" Pro Grand (PRGxxxWxG)	Orifice no.
Auxiliary oven bake burner only	1.85 mm (185)

Removing the oven door

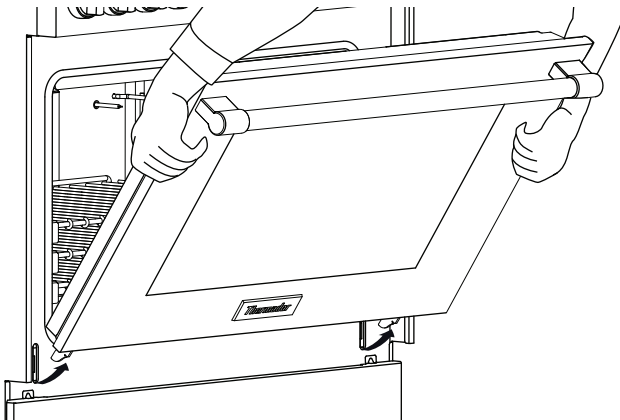
⚠ CAUTION

- **USE CAUTION WHEN REMOVING THE DOOR. THE DOOR IS VERY HEAVY.**
- The oven door is heavy and fragile. Use both hands to remove or replace the door.
- Failure to grasp the oven door firmly and properly could result in personal injury and product damage.
- With the door off, never release the levers and try to close the hinges. Without the weight of the door, the powerful springs will snap the hinges closed with great force.

1. Open the door fully. Flip the hinge clips down for both sides of the door. A screwdriver may be required to carefully pry the clip back.



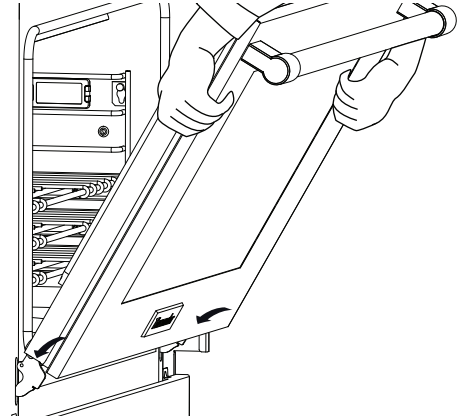
2. Close the door gently until it stops against the hinge clips. The open hinge clips will hold the door open at a slight angle, about 30°, from the closed position.
3. Grasp the door firmly on the ends of the door. Lift the door up and out. There will be some spring resistance to overcome.



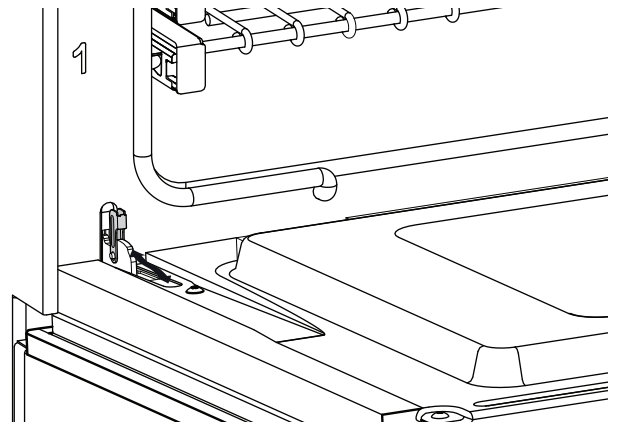
4. Place the door in a safe and stable location.

Reinstalling the oven door

1. Hold the door firmly in both hands.
2. Hold the door at a 30° angle from the closed position. Insert hinges centered evenly into the hinge slots. The hinges will securely hook into the slots when properly installed. **DO NOT** force, bend or twist the door.



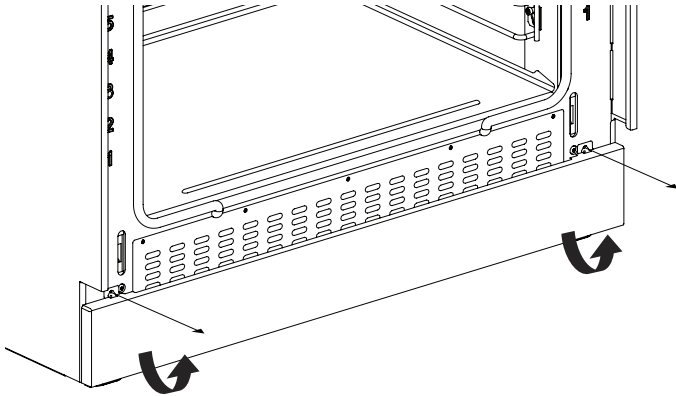
3. Open door fully to expose hinges, levers, and slots.
4. Flip the hinge forward until seated on the bracket. A screwdriver may be required to carefully push the clip back.



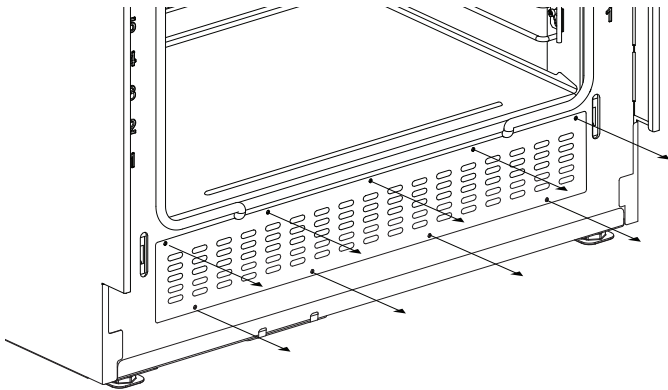
5. Close and open the door slowly to ensure it is correctly and securely in place.

Removing the kick and front panels

1. Remove the kick panel screws using a T-20 torx screwdriver.



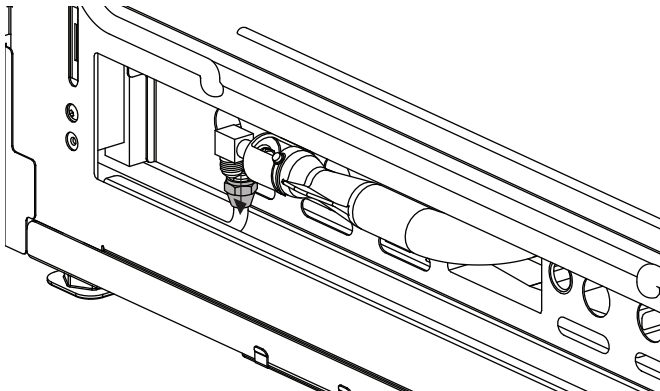
2. Remove the front panel screws using a T-20 torx screwdriver.



Changing the bake burner orifice

To change the bake burner orifice

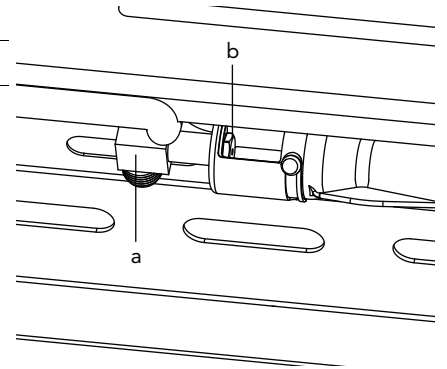
1. Remove the bake gas line using a 13/16" box end wrench, while restraining the elbow fitting from rotation using an adjustable wrench.



IMPORTANT: DO NOT bend the bake burner tube or shutter. Ensure that the bake orifice is aligned to the center of the burner tube inlet.

2. Hand twist the orifice elbow (a) while restraining the bake orifice (b) from rotation using an adjustable wrench.

- a. Orifice elbow
- b. Bake orifice



3. Replace the orifices as indicated in the table and reattach the gas line.

36" and 48" Pro Harmony (PRGxxxWxH)	Orifice no.
Main oven bake burner only	2.06 mm (206)
48" Pro Grand (PRG48xWxG)	Orifice no.
Auxiliary oven bake burner only	1.85 mm (185)

4. Perform a gas leak check of the orifice and associated supply tube fittings, per the "Check for gas leaks" section of these instructions.

NOTE: The replacement bake orifices have straight threads (not tapered threads) and **DO NOT** require thread sealing compound.

Checking for gas leaks

⚠ WARNING

DO NOT use a flame of any kind to check for gas leaks.

⚠ CAUTION

DO NOT spray water solution onto exposed electrical devices. If solution does drip onto electrical components, shut the power off before wiping off the parts.

Gas leak check using a liquid solution

Leak-checking should occur after the orifices are replaced, and before the appliance is reassembled and tested.

1. Make sure that the orifice has been tightened and that all valves and controls are in the OFF position.
2. Turn on electric and gas supplies.
3. Spray a generous amount of soap and water mixture—or other solution designed for checking gas leaks—on the threaded junction at the base of the orifice, the elbow fitting, and gas tube compression nut. (A 25% dishwashing liquid to water mixture is effective for this.) Avoid spraying electrical devices.
4. Turn the mode knob and the oven temperature knob to “BROIL” while blocking the broiler orifice hole with a soft pencil eraser, your finger, or something similar.
 - There will be a delay of approximately 45 to 90 seconds as the safety valve coil heats to release the valve’s actuator. A single pop noise can usually be heard as the broiler’s safety valve opens.
5. Monitor the base of the orifice junction, elbow fitting, and compression nut to see if bubbles are forming anywhere around the connections.
 - Bubbles forming are indications of gas leaks.
6. If appliance leaks, repair all gas leaks immediately.
7. Repeat for the bake burners and applicable STAR burners.
8. Turn off the gas and electric supplies.

Reassembling the rangetop and oven

Reassemble the range in the following order:

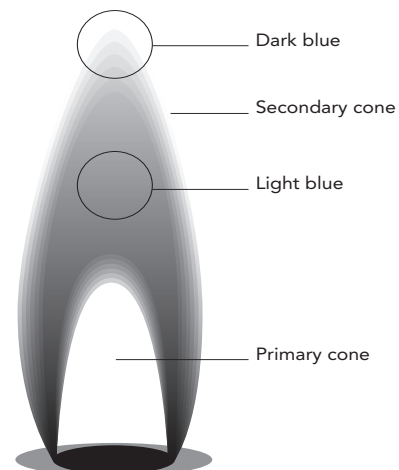
1. Rangetop heat shield, if applicable
2. Spill trays, if applicable
3. Burner pedestals, if applicable
4. Burner bases, if applicable
5. Venturi
6. Burner caps
7. Backguard, if applicable
8. Grates
9. Front panel
10. Kick panel
11. Oven door

Checking the flame and burner performance

To observe the burner flames, it may be necessary to turn off lights or close window blinds to darken the room for easier viewing of the flame.

To test the STAR® burner ignition

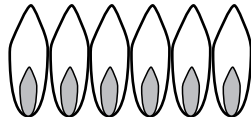
1. Push in the burner control knob and turn it to “HI”.
 - The igniter electrode and spark module will produce a clicking sound. Once the air has been purged from the supply lines, the burner should light within four seconds.
 - The flames should be stable, with no excessive noise. The inner cones of the individual flames should be defined and separate from each other. Portions of the flame, along the burner, should not exhibit excessive or continuous indications of “lifting” or “lazy flame”.



NOTE: It is normal for slight yellow tipping of the flames to appear after a few minutes of operation using propane (LP) gas. Orange-colored streaks in the flame are produced from burning airborne debris; this is normal during initial start up and should dissipate within a few minutes of operation.

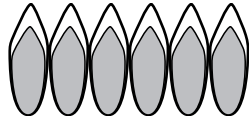
Yellow flames:

Further adjustment is required.



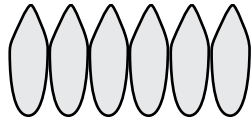
Yellow tips on outer cones:

Normal for LP gas

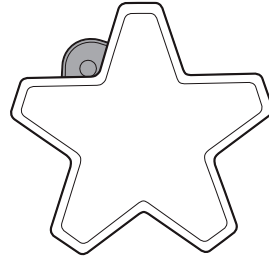
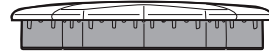


Soft blue flames:

Normal for natural gas



- Burner flames that are “lazy”, with excessively-long flames, can be created by an incorrectly fitted burner cap—from which many of the outer mantles of the individual flames will tend to “coalesce” or blend together. Verify that the burner cap is seated properly on its burner base. The cap should fit reasonably flat when correctly-positioned on the base and not rock significantly.



Correct burner cap

Incorrect burner cap

2. Adjust the burner’s control valve to “LO” or “SIM” to see that the flame continues to wrap around the burner. Blow out the flame, or use a quick fan motion from a writing tablet or piece of cardboard to extinguish the flame, and then observe the burner’s ability to reignite and wrap around (also called “carry-over”) the burner within several seconds. This flame “carry-over” is essential for proper burner ignition and re-ignition.
3. Test re-ignition of the “XLO®” and observe the carry-over of the small simmer flames as the XLO system cycles the burners on and off.
 - If the flame performance is not acceptable it may be necessary to readjust the valve screw for a top burner that does not have sufficient carry-over of the flame. Turn the valve screw very slightly counter-clockwise until carry-over of the flame is acceptable. (See “Setting the STAR® burner valve screws”).
 - If the burner flame is uneven, flutters, makes excessive noise, or lifts, some of the slots in the burner base may be blocked with food spillage or other debris. Clogged slots can be cleared using a straightened paper clip, needle, or similar object. Hard-to-remove, encrusted food or debris can sometimes be removed using a steel wool pad or fine wire brush.

4. Repeat the ignition and flame test procedures for each rangetop burner.
5. Test gas broiler ignition (GAS range only). Turn the mode knob and the oven temperature knob to “BROIL”.
 - The hot-surface igniter will attempt to light the broiler after approximately 45 to 90 seconds, as the safety valve coil heats to open. Once the air has been purged from the gas supply line, the broiler should light within four (4) seconds.
 - The ceramic tiles of the burner should glow red hot (infrared) after several minutes of operation. If after several minutes with the burner lit, the broiler only has a small amount of red glow (and burns mostly with blue flame floating on the burner surface), check that the broiler orifice is aligned to the center of the burner tube inlet.
6. Repeat for the bake burners.

Table des MATIÈRES

Sécurité	17
Consignes de sécurité importantes	17
Directives pour conversion à haute altitude	19
Avant de commencer	19
Conversion au gaz naturel pour fonctionnement entre 5 400 pi (1 645 m) et 10 200 pi (3 110 m)	19
Liste de vérification	19
Conversion au gaz propane pour fonctionnement entre 10 000 pi (3 048 m) et 10 200 pi (3 110 m)	20
Liste de vérification	20
Procédure d'installation	21
Remplacement des ports de brûleur STAR®	21
Démontage de la table de cuisson	22
Réglage des vis de la soupape des brûleurs STAR.....	22
Remplacement du port du gril, uniquement sur les cuisinières à GAZ	23
Remplacement du port de cuisson, uniquement sur les cuisinières à GAZ	24
Inspection des fuites de gaz	27
Remontage de la table de cuisson et du four	27
Vérification du rendement de la flamme et du brûleur ..	27
Soutien, pièces et accessoires	page arrière

Définitions de SÉCURITÉ

▲ AVERTISSEMENT

Ceci indique que le non respect de cet avertissement peut entraîner des blessures graves, voire la mort.

▲ ATTENTION

Ceci indique que le non respect de cet avertissement peut entraîner des blessures légères ou modérées.

NOTICE : Ceci indique que la non-conformité à cet avis de sécurité peut entraîner des dégâts à l'appareil ou à la propriété.

Note : Ceci vous avertit que d'importantes informations et/ou conseils sont fournis.

Cet appareil électroménager de THERMADOR™

est fait par BSH Home Appliances Ltd

6696 Financial Drive, Unit 3

Mississauga, ON L5N 7J6

Des questions?

1-800-735-4328

www.thermador.ca

Nous attendons de vos nouvelles!

⚠️ CONSIGNES DE SÉCURITÉ IMPORTANTES LIRE ET CONSERVER CES DIRECTIVES

Veillez lire attentivement

Conservez les pièces originales du modèle à gaz dans l'éventualité d'une reconversion future.

Important : Seul un technicien ou un installateur qualifié en réparation peut procéder à cette conversion.

Installateur : Prière de laisser les directives avec cet appareil à l'intention du propriétaire.

Propriétaire : Prière de conserver les directives pour pouvoir s'y référer ultérieurement.

Cette trousse permet de convertir les appareils Thermador pour qu'ils fonctionnent à haute altitude, au-dessus de 5 400 pi (1 645 m). Cette trousse renferme des ports permettant la bonne conversion du four, du gril et des brûleurs STAR® pour un fonctionnement à haute altitude.

Ces directives vous indiquent les altitudes qui requièrent une conversion et quels modèles devront être convertis pour un bon fonctionnement dans les régions à haute altitude. Elles expliquent de plus quelles pièces feront l'objet d'une conversion à haute altitude.

Cette trousse ne peut pas être utilisée pour convertir d'anciens modèles de cuisinières. Cette trousse ne peut pas être utilisée pour convertir toute autre marque d'appareil.

AVERTISSEMENT



Si les directives du présent manuel ne sont pas suivies à la lettre, il y a un risque d'incendie ou d'explosion pouvant entraîner des dommages matériels, des blessures ou la mort.

- NE PAS conserver ou utiliser de l'essence ou d'autres liquides et vapeurs inflammables à proximité de cet appareil ou de tout autre appareil.
- QUE FAIRE SI VOUS PERCEVEZ UNE ODEUR DE GAZ
 - NE PAS essayer de mettre un appareil électroménager sous tension.
 - NE PAS toucher d'interrupteur de courant électrique.
 - NE PAS utiliser de téléphone dans l'édifice.
 - Communiquer immédiatement avec le fournisseur de gaz depuis l'appareil téléphonique d'un voisin. Respecter les directives du fournisseur de gaz.
 - S'il s'avère impossible de joindre le fournisseur de gaz, communiquer avec les pompiers.
- Utiliser les services d'un installateur ou d'une agence de réparation qualifiés ou le fournisseur de gaz pour procéder à l'installation et aux réparations.

AVERTISSEMENT



Cette trousse de conversion doit être installée par une agence de réparation qualifiée en conformité aux directives du fabricant et de tous les autres codes et toutes les exigences en vigueur de l'autorité ayant juridiction. Si les directives ne sont pas suivies à la lettre, il y a un risque d'incendie, d'explosion ou de génération de monoxyde de carbone pouvant entraîner des dommages matériels, des blessures ou une perte de vie. L'agence de réparation qualifiée est responsable de la bonne installation de cette trousse. L'installation n'est pas jugée terminée et adéquate jusqu'à ce que l'on ait testé l'appareil converti comme précisé dans les directives du fabricant fournies avec la trousse.

Pour les installations au Massachusetts

1. L'installation doit être exécutée par un entrepreneur, un plombier ou un ajusteur d'appareils à gaz qualifié ou autorisé par l'État, la province ou la région.
2. Le robinet d'arrêt doit être un robinet à gaz avec une poignée en T.
3. Le connecteur à gaz souple ne doit pas dépasser 36 pouces (914 mm).

⚠️ CONSIGNES DE SÉCURITÉ IMPORTANTES

LIRE ET CONSERVER CES DIRECTIVES

Veillez respecter les exigences ci-dessous lors de la mise à l'essai de la canalisation du système d'alimentation en gaz :

- L'appareil et son propre robinet d'arrêt doivent être déconnectés de la canalisation du système d'alimentation en gaz aux pressions de test qui dépassent 1/2 psig (3,5 kPa).
- L'appareil électroménager doit être isolé de la canalisation du système d'alimentation en gaz en fermant son propre robinet d'arrêt manuel pour tout test de pression de la canalisation du système d'alimentation en gaz à des pressions égales ou inférieures à 1/2 psig (3,5 kPa).

Avertissement issu de la proposition 65 de l'État de la Californie :

⚠️ AVERTISSEMENT

Ce produit peut vous exposer à des produits chimiques, comme du chlorure de vinyle, reconnus par l'État de la Californie comme causant le cancer, des anomalies congénitales ou d'autres effets nocifs sur la reproduction. Pour de plus amples renseignements, consulter www.P65Warnings.ca.gov.

AVERTISSEMENT

NE JAMAIS laisser la conversion de gaz inachevée. Si l'appareil est utilisée avec une conversion de gaz inachevée, il est possible qu'il émette des niveaux élevés de monoxyde de carbone ou provoquer un incendie ou une explosion.

À l'intention de l'agent de réparation

AVANT d'amorcer la conversion de l'appareil, il est important de connaître les éléments suivants.

- Confirmer que le système d'alimentation en gaz est disponible et prêt à utiliser. Ceci est particulièrement important dans le cas d'une nouvelle construction.
- Vérifier le type de gaz fourni à cet endroit. S'assurer que l'appareil est bien raccordé au type de gaz pour lequel il est certifié.
- Vous devez prévoir assez de temps et de ressources pour bien exécuter le processus de conversion et le terminer avant de quitter le chantier. Toutes les étapes décrites dans ces directives doivent être exécutées pour obtenir une conversion sécuritaire de l'appareil pour un bon fonctionnement à haute altitude. **UNE CONVERSION INACHEVÉE OU INADÉQUATE DE L'APPAREIL PEUT CRÉER UN DANGER POUR LA SÉCURITÉ.**

Cuisinières au gaz et bi-énergie converties au gaz propane et à haute altitude

Il faut d'abord convertir l'appareil pour utilisation au gaz propane avant de procéder avec la conversion pour utilisation à haute altitude. Un technicien de réparation qualifié est requis pour l'installation de la trousse de conversion au gaz propane (LP).

Directives pour conversion à haute altitude

Avant de commencer

▲ MISE EN GARDE

Avant d'amorcer la conversion, couper l'alimentation en gaz de l'appareil avant de le déconnecter de l'alimentation électrique.

Outils requis

- Clé Torx T-20
- Clé polygonale de 7/16 po
- Clé polygonale de 13/16 po
- Douille de 7 mm ou de 9/32 po
- Tournevis à douille de 1/4 po
- Tête hexagonale de 16 mm ou de 5/8 po
- Clé réglable
- Mélange d'eau savonneuse ou solution de détection de fuites

Pièces incluses

Trousse pour fonctionnement à haute altitude de brûleurs de cavité de four de cuisinières Pro au gaz, au-dessus de 5 400 pi (1 645 m), jusqu'à 10 200 pi (3 110 m)	Qté
Tournevis, 1/8 x 0,20 po	1
Port, 2,06 mm (206), Harmony de 36/48 po, four principal, cuisson	1
Port, 1,85mm (185), Grand de 48 po, four auxiliaire, cuisson	1

Trousse pour fonctionnement à haute altitude de brûleurs de cavité de four et STAR de cuisinières Pro au gaz PL, entre 10 000 pi (3 048 m) et 10 200 pi (3 110 m)	Qté
Tournevis, 1/8 x 0,20 po	1
Port, 1,26 mm (126), brûleur STAR	3
Port, 1,20 mm (120), Grand et Harmony, four principal, gril	1

Conversion d'appareils au gaz naturel pour fonctionnement entre 5 400 pi (1 645 m) et 10 200 pi (3 110 m)

Remplacer uniquement les brûleurs de cuisson de four qui suivent. Tous les autres brûleurs de cuisson demeurent inchangés.

Pro Harmony de 36 po (914 mm) et de 48 po (1 219 mm) (PRGxxxWxH)	No de port
Uniquement brûleur de cuisson du four principal	2,06 mm (206)

Pro Grand de 48 po (1 219 mm) (PRGxxxWxG)	No de port
Uniquement brûleur de cuisson du four auxiliaire	1,85 mm (185)

Liste de vérification

Pour le bon fonctionnement de l'appareil électroménager, il faut bien achever chacune des étapes suivantes. Cocher les étapes au fur et à mesure qu'elles sont achevées.

Modèles Pro Harmony de 36 po (914 mm) et de 48 po (1 219 mm) (PRGxxxWxH)

<input type="checkbox"/> Étape 1	Démonter la porte du four (page 25).
<input type="checkbox"/> Étape 2	Retirer les panneaux décoratif et de façade (page 26).
<input type="checkbox"/> Étape 3	Remplacer le port du brûleur de cuisson du four principal par celui de 2,06 mm (206) (page 26).
<input type="checkbox"/> Étape 4	Vérifier le four à la recherche de fuites de gaz (page 27).
<input type="checkbox"/> Étape 5	Remonter la porte et les panneaux décoratif et de façade.

Modèles Pro Grand de 48 po (1 219 mm) (PRGxxxWxG)

<input type="checkbox"/> Étape 1	Démonter la porte du four (page 25).
<input type="checkbox"/> Étape 2	Retirer les panneaux décoratif et de façade (page 26).
<input type="checkbox"/> Étape 3	Remplacer le port du brûleur de cuisson du four auxiliaire par celui de 1,85 mm (185) (page 26).
<input type="checkbox"/> Étape 4	Vérifier le four à la recherche de fuites de gaz (page 27).
<input type="checkbox"/> Étape 5	Remonter la porte et les panneaux décoratif et de façade.

Conversion d'appareils au gaz propane pour fonctionnement entre 10 000 pi (3 048 m) et 10 200 pi (3 110 m)

Remplacer uniquement le brûleur STAR® et les ports de four qui suivent. Tous les autres brûleurs demeurent inchangés.

Pro Harmony de 36 po (914 mm) et de 48 po (1219 mm) PR(L/D)xxxWxH(U/C)	No de port
Tous les brûleurs STAR® avant seulement	1,26 mm (126)
Tous les brûleurs STAR arrière	Demeurent inchangés

Pro Harmony de 48 po (1219 mm) et Pro Grand de 36 po (914 mm) (PRL48xWxH et PRL36xWxG)	No de port
Gril du four principal <ul style="list-style-type: none"> Pro Harmony de 48 po (1219 mm) (PRL48xWxH) Pro Grand de 36 po (914 mm) (PRL36xWxG) 	1,20 mm (120)
Tous les autres fours de modèles de cuisinières et brûleurs STAR	Demeurent inchangés

Liste de vérification

Pour le bon fonctionnement de l'appareil électroménager, il faut bien achever chacune des étapes suivantes. Cocher les étapes au fur et à mesure qu'elles sont achevées.

Modèles Pro Harmony de 36 po (914 mm) (PR(G/L/D)xxxWxH(U/C))

<input type="checkbox"/> Étape 1	Remplacer uniquement les ports du brûleur avant avec des ports de 1,26 mm (126) (page 21).
<input type="checkbox"/> Étape 2	Régler les vis de soupape uniquement pour les brûleurs STAR avant (page 22).
<input type="checkbox"/> Étape 3	Vérifier la table de cuisson à la recherche de fuites de gaz (page 27).
<input type="checkbox"/> Étape 4	Remonter la table de cuisson.

Modèles Pro Harmony de 48 po (1219 mm) (PR(G/L)48xWxH)

<input type="checkbox"/> Étape 1	Remplacer uniquement les ports du brûleur avant avec des ports de 1,26 mm (126) (page 21).
<input type="checkbox"/> Étape 2	Régler les vis de soupape uniquement pour les brûleurs STAR avant (page 22).
<input type="checkbox"/> Étape 3	Démonter la porte du four (page 25).
<input type="checkbox"/> Étape 4	Retirer les panneaux décoratif et de façade (page 26).
<input type="checkbox"/> Étape 5	Remplacer le port du brûleur de cuisson du four principal par celui de 1,20 mm (120) (page 26).
<input type="checkbox"/> Étape 6	Vérifier la table de cuisson et le four à la recherche de fuites de gaz (page 27).
<input type="checkbox"/> Étape 7	Remonter la table de cuisson, la porte et les panneaux décoratif et de façade.

Modèles Pro Grand de 36 po (914 mm) (PR(G/L)36xWxG)

<input type="checkbox"/> Étape 1	Retirer les panneaux décoratif et de façade (page 26).
<input type="checkbox"/> Étape 2	Remplacer le port du brûleur de cuisson par celui de 1,20 mm (120) (page 26).
<input type="checkbox"/> Étape 3	Vérifier le four à la recherche de fuites de gaz (page 27).
<input type="checkbox"/> Étape 4	Remonter la porte et les panneaux décoratif et de façade.

Procédure d'installation

Remplacement des ports de brûleur STAR®

Uniquement nécessaire pour la conversion d'appareils au gaz propane pour fonctionnement entre 10 000 pi (3 048 m) et 10 200 pi (3 110 m)

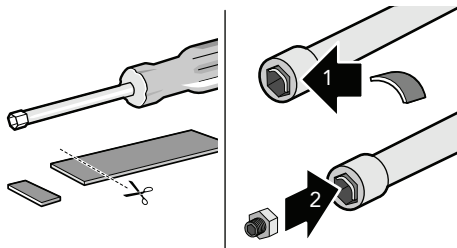
Remplacer uniquement les ports de four qui suivent. Tous les autres brûleurs STAR demeurent inchangés.

Pro Harmony de 36 po (914 mm) et de 48 po (1 219 mm) PR(L/D)xxxWxH(U/C)	No de port
Tous les brûleurs STAR® avant seulement	1,26 mm (126)
Tous les brûleurs STAR arrière	Demeurent inchangés

Préparation du tournevis à douille à la conversion des ports de brûleur STAR

Le ruban de mousse vous aidera à tenir le port sur l'extrémité du tournevis à douille pour qui ne tombe pas dans l'appareil au cours du retrait ou de l'insertion d'un port.

1. Couper un petit morceau du ruban de mousse (fourni) de cette trousse (environ 1/4 x 1/2 po/6 x 12 mm).
2. Déposer le morceau de ruban de mousse sur le bord de la douille de 7 mm ou de 9/32 po avec le tournevis à douille de 1/4 po utilisé pour remplacer les ports de brûleur comme illustré ci-dessous.

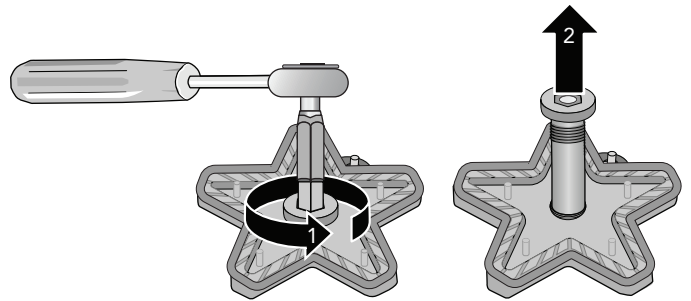


Retrait des ports des brûleurs STAR

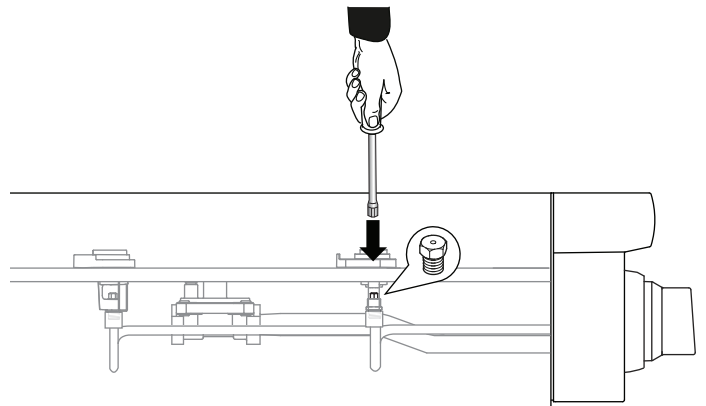
1. Retirer les grilles et les chapeaux de brûleur de la table de cuisson.

2. Utiliser l'embout à tête hexagonale de 16 mm pour les brûleurs identifiés par les lettres « D » ou « F ». Utiliser l'embout à tête hexagonale de 9 mm pour les brûleurs identifiés par la lettre « B » pour retirer le venturi du brûleur de chaque base.

CONSEIL : Si un embout à tête hexagonale de 16 mm n'est pas facilement accessible, sélectionnez un embout de 5/8 po. Autrement, il est possible d'utiliser un boulon avec un embout de 5/8 po mis en double ou inséré sur le mandrin d'une perceuse électrique.



3. Avec le morceau de ruban de mousse enroulé autour du tournevis à douille, aller vers le bas par les porte-injecteurs et retirer doucement le port de gaz des porte-injecteurs des brûleurs STAR.



Remplacement des ports des brûleurs STAR de la table de cuisson

1. Localiser les bons ports de brûleurs STAR compris dans la trousse. Les ports sont estampillés avec le diamètre de l'orifice sur le côté.



2. Remplacer les ports comme indiqué au tableau.

Tous les brûleurs STAR avant seulement	1,26 mm (126)
Tous les brûleurs STAR arrière	Demeurent inchangés

REMARQUE : Tous les ports de remplacement de la trousse de conversion pour utilisation comportent un filetage droit (et non un filetage au pas de gaz) et ne requièrent pas de produit d'étanchéité.

Démontage de la table de cuisson

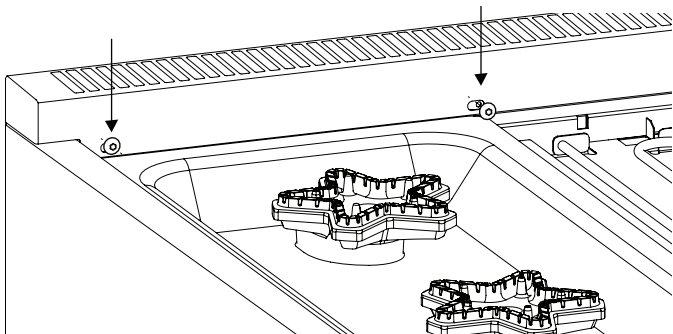
Nécessaire uniquement si un port tombe à l'intérieur de la table de cuisson

▲ MISE EN GARDE

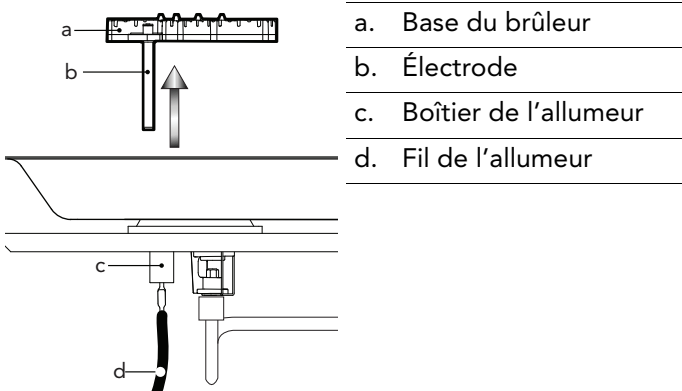
Couper l'alimentation en gaz de l'appareil avant de le déconnecter de l'alimentation électrique.

Démontage de la table de cuisson

1. Pour faciliter le retrait du plateau de déversement, retirer les vis torx T-20 de la façade de la garniture de l'îlot ou du dossier.



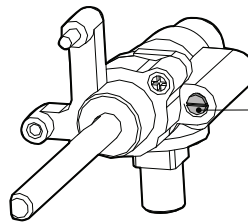
2. Déconnecter l'allumeur. Dégager délicatement la base du brûleur.



- Retirer délicatement l'étrier de chaque brûleur.
- Retirer les plateaux de déversement en les faisant pivoter vers le haut et en les sortant par l'arrière.
- Sur certains modèles, retirer la tôle réfléchissante. Certains modèles disposent de tôles de largeur double qui s'insèrent sous le plateau de déversement adjacent.

Réglage des vis de la soupape des brûleurs STAR®

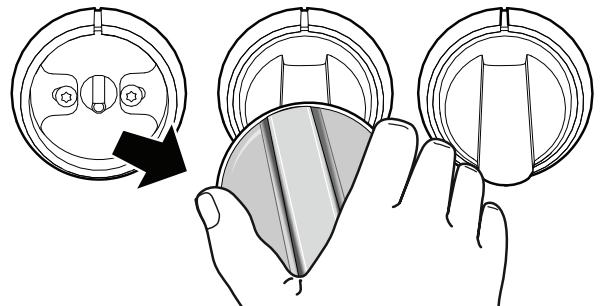
Uniquement nécessaire pour la conversion d'appareils au gaz propane pour fonctionnement entre 10 000 pi (3 048 m) et 10 200 pi (3 110 m)



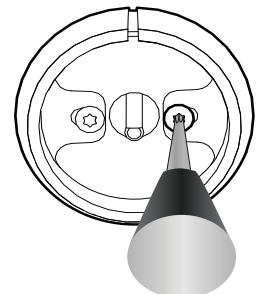
Un tournevis à lame plate d'une largeur de 1/8 po [3 mm] et d'une épaisseur de 0,020 po [0,5 mm] doit être utilisé pour ajuster les vis de soupape.



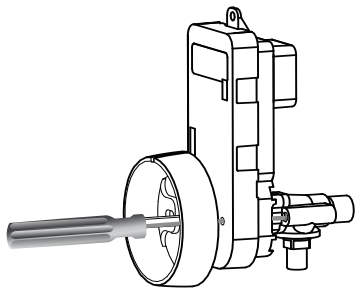
1. Enlever le bouton de la tige de la soupape en le tirant lentement vers l'extérieur, en vous éloignant du panneau de commande.



2. Enlever la vis de montage de la collerette d'encastrement située à la droite de la tige de la soupape avec une clé Torx T-20.



- Insérer le tournevis à lame de 1/8 po dans le trou de la collerette d'encastrement. Accéder aux vis de soupape par le trou de passage du module d'allumage. Vous devriez sentir le contact entre le tournevis et la vis de soupape.



- Ajuster en tournant la vis de soupape d'environ 1/8^e de tour en sens horaire pour réduire la taille de la flamme de mijotage. Tourner la vis en sens antihoraire pour augmenter la taille de la flamme de mijotage. Tourner le moins possible la vis de la soupape pour atteindre le résultat de mijotage souhaité. En raison des fluctuations normales de la pression du gaz, un ajustement trop fin de la vis de la soupape pourrait influencer la stabilité de la flamme.
- Procéder à une inspection de fuite de gaz à chaque port et aux raccords des conduites d'alimentation connexes. Consulter "Inspection des fuites de gaz" on page 27. L'inspection des fuites devrait se faire à la fin de la conversion des ports et avant le remontage et la mise à l'essai des brûleurs.

Remplacement du port du grill, uniquement sur les cuisinières à GAZ

Uniquement nécessaire pour la conversion d'appareils au gaz propane pour fonctionnement entre 10 000 pi (3 048 m) et 10 200 pi (3 110 m)

▲ MISE EN GARDE

Après le remplacement du port du grill, et avant de réassembler le panneau arrière et le dossier de la cuisinière, effectuer un bref essai d'étanchéité sur le port et les raccords connexes, conformément à la section "Inspection des fuites de gaz" des présentes directives.

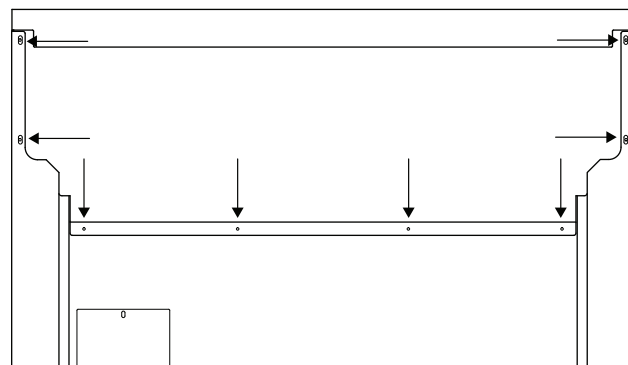
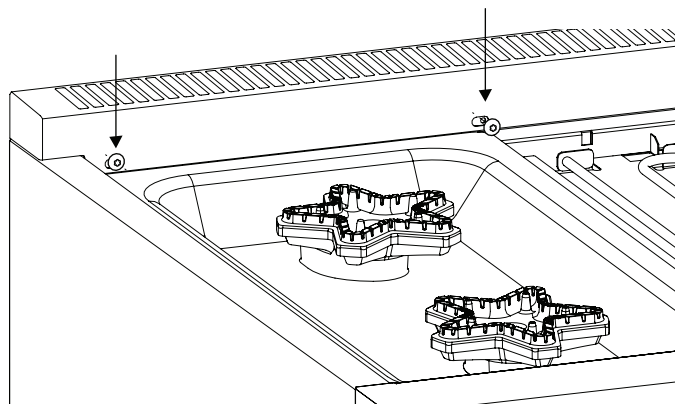
REMARQUE : Les cuisinières bi-énergie disposent de fours électriques et n'ont pas de port de grill.

Remplacer uniquement les ports de brûleur de grill de four qui suivent. Tous les autres ports demeurent inchangés.

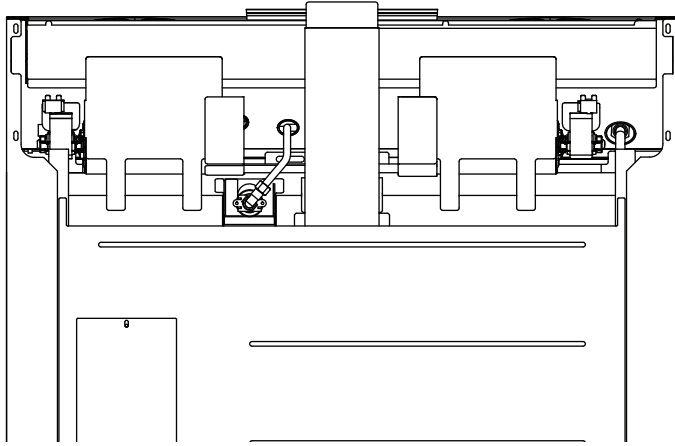
Pro Harmony de 48 po (1 219 mm) et Pro Grand de 36 po (914 mm) (PRL48xWxH et PRL36xWxG)	No de port
Gril du four principal <ul style="list-style-type: none"> Pro Harmony de 48 po (1219 mm) Pro Grand de 36 po (914 mm) 	1,20 mm (120)

Retrait du module du dossieret

- Utiliser un tournevis Torx T-20 pour dévisser les vis de la façade et du panneau arrière du module du dossieret.



2. Soulever délicatement le module du dosseret pour le retirer de la cuisinière.



3. Effectuer un essai d'étanchéité sur le port et les raccords d'alimentation de conduites connexes, conformément à la section « Inspection des fuites de gaz » des présentes directives.

Remplacement du port de cuisson, uniquement sur les cuisinières à GAZ

Nécessaire uniquement pour la conversion d'appareils au gaz naturel pour fonctionnement entre 5 400 pi (1 645 m) et 10 200 pi (3 110 m)

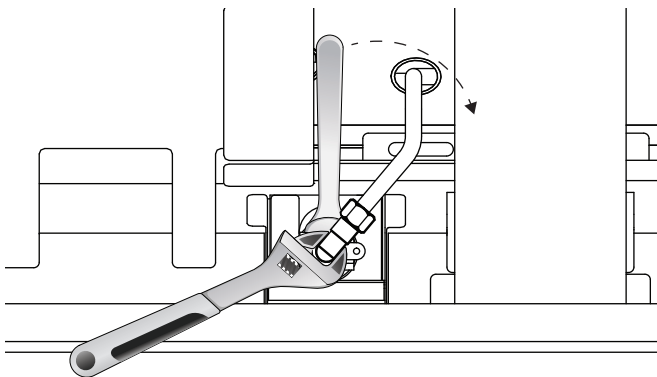
REMARQUE : Les cuisinières bi-énergie disposent de fours électriques et n'ont pas de port de cuisson.

Remplacer uniquement les ports de brûleur de cuisson de four qui suivent. Tous les autres ports demeurent inchangés.

Remplacement du port du brûleur du gril

1. Retirer le port du gril avec la clé polygonale de 7/16 po tout en empêchant le raccord en coude de tourner en le tenant avec une petite clé réglable.

IMPORTANT : NE PAS plier l'équerre du port du brûleur du gril. S'assurer que le port du gril est aligné au centre de la conduite d'admission du brûleur.



Pro Harmony de 36 po (914 mm) et de 48 po (1 219 mm) (PRGxxxWxH)	No de port
Uniquement brûleur de cuisson du four principal	2,06 mm (206)

Pro Grand de 48 po (1 219 mm) (PRGxxxWxG)	No de port
Uniquement brûleur de cuisson du four auxiliaire	1,85 mm (185)

2. Remplacer les ports comme indiqué au tableau.

Pro Harmony de 48 po (1 219 mm) et Pro Grand de 36 po (914 mm) (PRL48xWxH et PRL36xWxG)	No de port
Gril du four principal <ul style="list-style-type: none"> • Pro Harmony de 48 po (1219 mm) • Pro Grand de 36 po (914 mm) 	1,20 mm (120)

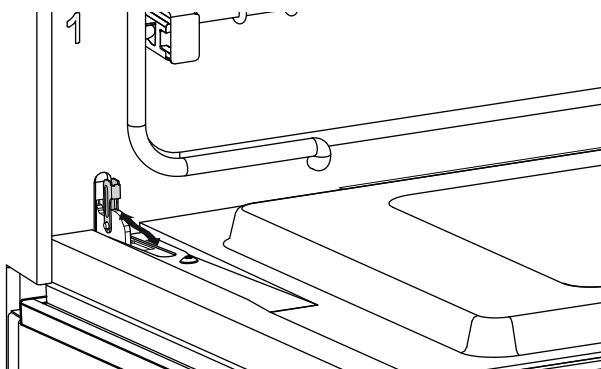
REMARQUE : Les ports de rechange du gril comportent un filetage droit (et non conique) et NE requièrent PAS de produit d'étanchéité.

Retrait de la porte du four

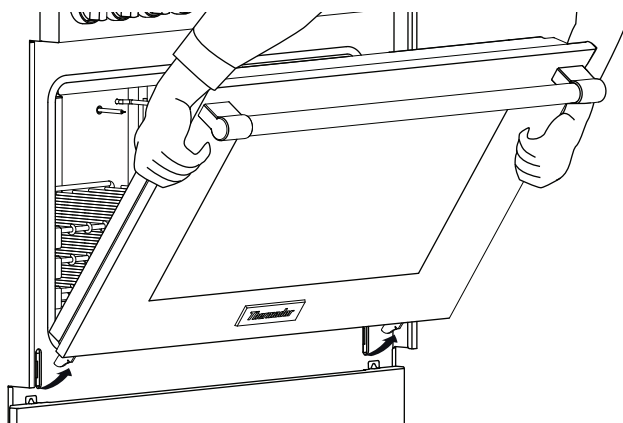
⚠ MISE EN GARDE

- **FAIRE PREUVE DE PRUDENCE AU RETRAIT DE LA PORTE. ELLE EST TRÈS LOURDE.**
- La porte du four est lourde et fragile. L'enlever à deux mains ou remplacer la porte.
- Si la porte du four n'est pas saisie fermement et correctement, il y a un risque de blessure et de dommage à l'appareil.
- Sans la porte, ne jamais relâcher les leviers ni essayer de fermer les charnières. Sans la poids de la porte, les puissants ressorts fermeront les charnières avec une poussée importante.

1. Ouvrir la porte au maximum. Abaisser les crochets de la charnière des deux côtés de la porte. Par la suite, il est possible que vous ayez besoin d'un tournevis pour dégager délicatement les crochets.



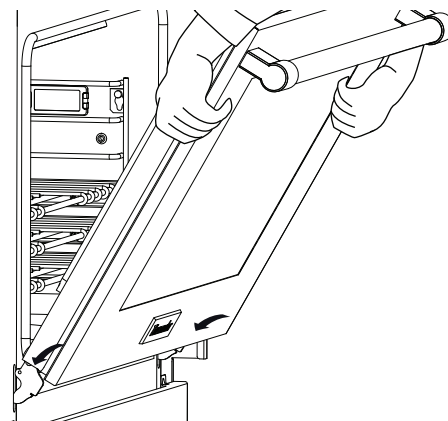
2. Fermer délicatement la porte jusqu'à ce qu'elle soit appuyée sur les crochets. Les crochets de la charnière maintiendront la porte ouverte à un angle de près de 30 degrés par rapport à sa position fermée.
3. Saisir fermement la porte par les extrémités. Soulever la porte et la sortir. Il y aura une certaine résistance provenant des ressorts.



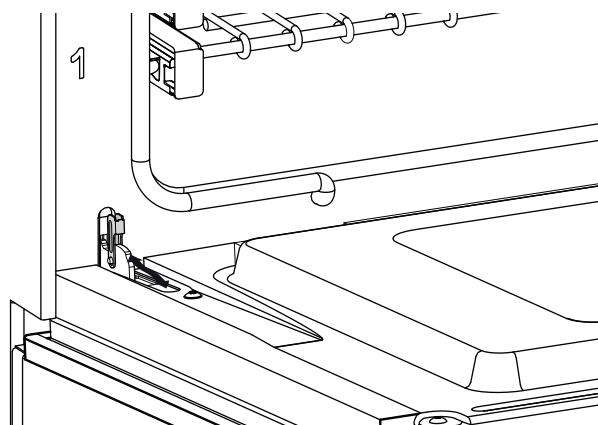
4. Placer la porte dans un endroit sécuritaire et stable.

Réinsertion de la porte du four

1. Maintenir fermement la porte des deux mains.
2. Tenir la porte à près de 30 degrés par rapport à la position fermée. Insérer les charnières au centre dans les fentes à cet effet. Lorsque bien installées, les charnières s'accrochent solidement dans les fentes. **NE PAS** exercer de force sur la porte, ni la plier ou la tordre.



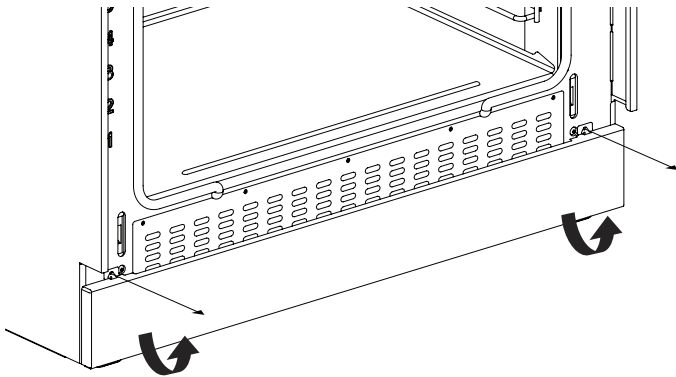
3. Ouvrir la porte au maximum pour exposer les charnières, les leviers et les fentes.
4. Faire basculer la charnière vers l'avant jusqu'à ce qu'elle soit bien appuyée sur l'équerre de fixation. Il est possible que vous ayez besoin d'un tournevis pour ramener délicatement le crochet.



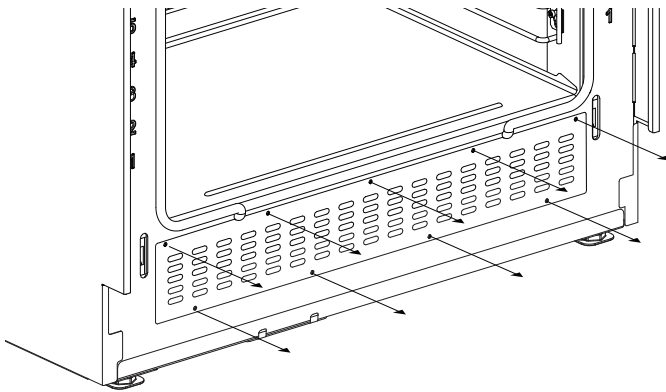
5. Fermer et ouvrir la porte lentement pour s'assurer qu'elle est correctement et solidement installée.

Retrait des panneaux décoratif et de façade

1. Dévisser les vis du panneau décoratif avec un tournevis Torx T-20.



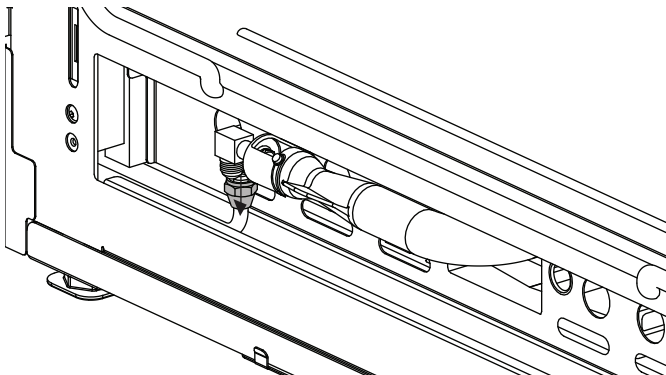
2. Dévisser les vis du panneau de façade avec un tournevis Torx T-20.



Remplacement du port du brûleur de cuisson

Remplacement du port du brûleur de cuisson

1. Retirer la conduite de gaz du brûleur de cuisson avec une clé polygonale de 13/16 po tout en empêchant le raccord en coude de tourner en le tenant avec une clé réglable.

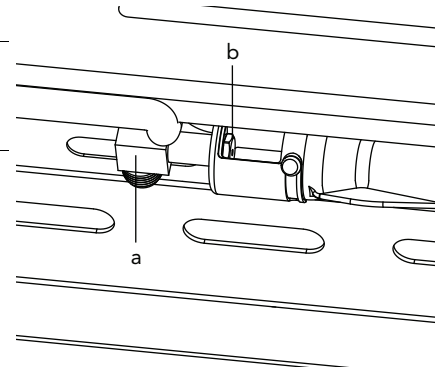


IMPORTANT : NE PAS plier la conduite du brûleur de cuisson ou son volet d'obturation. S'assurer que le port du brûleur de cuisson est aligné au centre de la conduite d'admission du brûleur.

2. Tourner à la main le coude (a) du port tout en tenant le port du brûleur (b) de cuisson fixe avec une clé réglable.

a. Coude du port

b. Port du brûleur de cuisson



3. Remplacer les ports comme indiqué au tableau et raccorder de nouveau la conduite de gaz.

Pro Harmony de 36 po (914 mm) et de 48 po (1 219 mm) (PRGxxxxWxH)	No de port
Uniquement brûleur de cuisson du four principal	2,06 mm (206)
Pro Grand de 48 po (1 219 mm) (PRG48xWxG)	No de port
Uniquement brûleur de cuisson du four auxiliaire	1,85 mm (185)

4. Effectuer un essai d'étanchéité sur le port et les raccords d'alimentation de conduites connexes, conformément à la section « Inspection des fuites de gaz » des présentes directives.

REMARQUE : Les ports de rechange du brûleur de cuisson comportent un filetage droit (et non conique) et NE requièrent PAS de produit d'étanchéité.

Inspection des fuites de gaz

⚠ AVERTISSEMENT

NE PAS utiliser une flamme quelconque pour vérifier l'étanchéité.

⚠ MISE EN GARDE

NE PAS vaporiser de solution d'eau sur les dispositifs électriques exposés. Si la solution coule sur des composants électriques, couper l'alimentation avant d'essuyer les pièces.

Inspection des fuites avec une solution liquide

L'inspection des fuites devrait se faire à la fin du remplacement des ports et avant le remontage et la mise à l'essai de l'appareil.

1. S'assurer que le port est bien serré et que toutes les soupapes et commandes sont en position FERMÉE (OFF).
2. Remettre le courant et ouvrir l'admission en gaz.
3. Vaporiser une quantité généreuse du mélange d'eau et de savon, ou d'une autre solution conçue pour la détection de fuites de gaz, sur le joint fileté à la base du port, au raccord coudée et à l'écrou de compression de la conduite de gaz. (Un mélange de 25 % de détergent liquide et d'eau est efficace pour l'essai.) Éviter de vaporiser les dispositifs électriques.
4. Tourner le bouton du mode de cuisson et le bouton de température du four à « GRIL » (BROIL) tout en obturant l'orifice du port du brûleur de gril avec la gomme à effacer d'un crayon, votre doigt ou un objet semblable.
 - Il y aura un délai entre 45 et 90 secondes, période au cours de laquelle le serpentin de la soupape de sécurité chauffe pour dégager l'actionneur de la soupape. Un claquement unique se fait habituellement entendre lorsque la soupape de sécurité du gril s'ouvre.
5. Inspecter la base du joint du port, le raccord coudé et l'écrou de compression pour toute trace de bulles autour des raccords.
 - La présence de bulles indique des fuites de gaz.
6. En cas de fuites, réparer les immédiatement.
7. Répéter la procédure pour les brûleurs de cuisson et les autres brûleurs STAR, le cas échéant.
8. Couper l'alimentation en gaz et l'alimentation électrique.

Remontage de la table de cuisson et du four

Remonter la cuisinière dans la séquence qui suit :

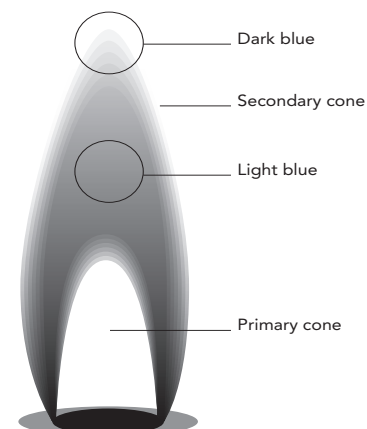
1. Tôle réfléchissante de la cuisinière, le cas échéant
2. Plateaux de déversement, le cas échéant
3. Étriers du brûleur, le cas échéant
4. Bases de brûleur, le cas échéant
5. Venturi
6. Chapeaux de brûleur
7. Dosseret, le cas échéant
8. Grilles
9. Panneau de façade
10. Panneau décoratif
11. Porte du four

Vérification du rendement de la flamme et du brûleur

Pour observer les flammes de brûleurs, il sera probablement nécessaire d'éteindre les lampes ou de fermer les stores de la fenêtre pour obscurcir la pièce pour mieux voir la flamme.

Mise à l'essai de l'allumage des brûleurs STAR®

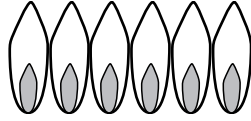
1. Enfoncer le bouton de commande du brûleur et le tourner à « HI ».
 - Le module de l'électrode et de la bougie de l'allumeur produira un dé clic. Une fois l'air purgée des conduites d'alimentation, le brûleur devrait s'allumer dans les quatre (4) secondes.
 - Les flammes devraient être stables sans bruit excessif. Les cônes intérieurs des flammes doivent être bien définis et être distinctement séparés l'un de l'autre. La flamme, tout autour du brûleur, ne doit pas comporter des parties excessivement élevées ou de flammes « paresseuses ».



REMARQUE : Il est normal que des pointes légèrement jaunes apparaissent à l'extrémité des flammes après quelques minutes de fonctionnement au gaz propane (LP). Les traits orangés dans la flamme sont produits par la combustion de débris flottant dans l'air. Ce phénomène est normal durant les moments suivant l'allumage et devrait se dissiper après quelques minutes de fonctionnement.

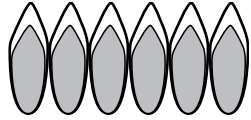
Flammes jaunes :

Réglage supplémentaire requis.



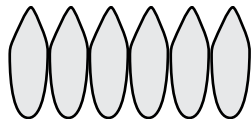
Extrémités des cônes externes jaunes :

Normales pour un gaz de pétrole liquéfié

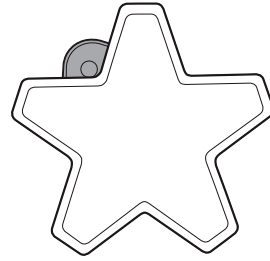
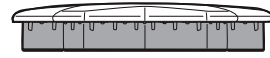


Flammes bleues douces :

Normales pour le gaz naturel



- Une flamme « paresseuse », avec de très longues flammes, peut se créer en raison d'un chapeau de brûleur mal placé. Plusieurs des manteaux supérieurs des flammes individuelles auront tendance à fusionner ou à confluer. S'assurer que le chapeau du brûleur est convenablement installé sur la base du brûleur. Lorsque positionné correctement, le chapeau devrait être assez à plat sur la base et ne pas trop se balancer.



Chapeau du brûleur bien installé

Chapeau du brûleur mal positionné

2. Ajuster la soupape de commande du brûleur à « LO » ou « SIM » pour vérifier si la flamme continue de brûler tout autour du brûleur. Éteindre la flamme en soufflant dessus ou en l'éventant à l'aide d'un bloc-notes ou d'un morceau de carton, puis observer la capacité du brûleur à se rallumer et à propager la flamme sur tout le brûleur en quelques secondes (propagation de la flamme). La propagation de la flamme est essentielle pour l'allumage et le rallumage adéquats du brûleur.
3. Tester la capacité de rallumage des brûleurs à « XLO® » et observer la propagation des petites flammes de mijotage pendant que le système XLO allume et éteint les brûleurs.
 - Si le rendement de la flamme n'est pas convenable, il peut s'avérer nécessaire d'ajuster de nouveau la vis de la soupape pour un brûleur supérieur qui ne propage pas assez la flamme. Tourner très légèrement la vis de la soupape dans le sens antihoraire jusqu'à ce que la propagation de la flamme soit acceptable. (Consulter "Réglage des vis de la soupape des brûleurs STAR®").
 - Si la flamme d'un brûleur est inégale, scintille, produit des bruits excessifs ou s'élève, certaines des fentes de la base du brûleur sont possiblement obstruées par des débordements d'aliments ou par d'autres débris. Les fentes bloquées peuvent être nettoyées à l'aide d'un trombone, d'une épingle ou d'un objet semblable. Les aliments ou les débris incrustés et difficiles à enlever peuvent parfois être retirés en utilisant une laine d'acier ou une brosse de soies métalliques fines.
4. Recommencer les procédures de mise à l'essai de l'allumage et de la flamme pour chacun des brûleurs de la table de cuisson.
5. Mettre à l'essai l'allumage du brûleur de grill (uniquement les cuisinières au GAZ). Tourner le bouton de mode de cuisson et celui de la température du four à « GRIL » (BROIL).
 - L'allumeur de la surface chaude essaiera d'allumer le brûleur du grill entre 45 et 90 secondes environ, période au cours de laquelle le serpentin de la soupape de sécurité chauffe pour s'ouvrir. Une fois l'air purgé des conduites d'alimentation en gaz, le brûleur du grill devrait s'allumer dans les quatre (4) secondes.
 - Les carreaux de céramique du brûleur devraient devenir rouges (infrarouge) après quelques minutes de fonctionnement. Si après plusieurs minutes de fonctionnement, le brûleur ne brille que légèrement en rouge (et affiche une flamme bleue flottant au-dessus de la surface du brûleur), vérifier le bon alignement du port du brûleur avec le centre de l'admission en gaz du brûleur.
6. Répéter la procédure pour les brûleurs de cuisson.

Índice de MATERIAS

Seguridad	30
Instrucciones de seguridad importantes.....	30
Instrucciones de altas altitudes.....	32
Antes de empezar.....	32
Convertir unidades de gas natural por encima de 5,400 pies y hasta 10,200 pies.....	32
Lista de comprobación	32
Convertir unidades de gas propano por encima de 10,000 pies y hasta 10,200 pies.....	33
Lista de comprobación	33
Procedimiento de montaje	34
Reemplazar las espreas de los quemadores STAR®	34
Desensamblar la parrilla de gas.....	35
Ajustar los tornillos de las válvulas de los quemadores STAR	35
Reemplazar la esprea del quemador para asar, solo en estufas de gas	36
Reemplazar la esprea del quemador para hornear, solo en estufas de gas	37
Prueba para detectar fugas de gas	40
Volver a ensamblar la parrilla de gas y el horno.....	40
Comprobar la llama y el rendimiento del quemador	40
Soporte, accesorios y partes	contraportada

Definiciones de SEGURIDAD

▲ ADVERTENCIA

Esto indica que se pueden producir lesiones graves o la muerte si no se cumple con esta advertencia.

▲ PRECAUCIÓN

Esto indica que pueden producirse lesiones leves o moderadas si no se cumple con esta advertencia.

NOTA: Esto indica que puede producirse un daño al electrodoméstico o a la propiedad como resultado de la falta de cumplimiento de este aviso.

Nota: Esto lo alerta sobre información y/o consejos importantes.

Este electrodoméstico de THERMADOR®
está hecho por BSH Home Appliances Corporation
1901 Main Street, Suite 600
Irvine, CA 92614

¿Preguntas?

1-800-735-4328

www.thermador.com

¡Esperamos oír de usted!

⚠ INSTRUCCIONES DE SEGURIDAD IMPORTANTES LEER Y CONSERVAR ESTAS INSTRUCCIONES

Leer atentamente

Guardar las piezas de gas originales para una posible reconversión en el futuro.

Importante: Esta conversión solo puede realizarla un técnico de servicio o instalador calificados.

Instalador: Dejar estas instrucciones con esta unidad para el propietario.

Propietario: Conservar estas instrucciones para consultar en el futuro.

Este kit se utiliza para convertir los electrodomésticos Thermador para que funcionen a altitudes por encima de los 5400 pies. Este kit incluye espreas para la correcta conversión a altas altitudes de los quemadores STAR® y de los quemadores para hornear y para asar de los hornos.

Estas instrucciones le aconsejan sobre las elevaciones y los modelos que se necesitan convertir para un correcto funcionamiento del electrodoméstico en regiones a altas altitudes. Le informa sobre qué partes del electrodoméstico se necesitan convertir a altas altitudes.

No se puede utilizar este kit para convertir modelos antiguos de estufas. No se puede utilizar este kit para convertir electrodomésticos de otras marcas.

ADVERTENCIA



Si no se sigue exactamente la información de este manual, se puede producir un incendio o una explosión que pueden causar daños materiales, lesiones personales o la muerte.

- NO almacenar o usar gasolina u otros vapores y líquidos inflamables en la proximidad de este electrodoméstico o cualquier otro.
- QUÉ HACER SI DETECTA OLOR A GAS
 - NO intentar encender ningún electrodoméstico.
 - NO tocar ningún interruptor eléctrico.
 - NO usar ningún teléfono en su edificio.
 - Llamar inmediatamente al proveedor de gas desde el teléfono de un vecino. Seguir las instrucciones del proveedor de gas.
 - Si no es posible contactar con su proveedor de gas, comunicarse con el departamento de bomberos.
- La instalación y el mantenimiento los deben llevar a cabo un instalador calificado, una empresa de servicio o un proveedor de gas.

ADVERTENCIA



Este kit de conversión deberá ser instalado por una agencia de servicio calificada, de acuerdo con las instrucciones del fabricante y con todos los códigos y normas aplicables de la autoridad que tenga jurisdicción. Si no se sigue exactamente la información de estas instrucciones, se puede producir un incendio, una explosión o una emisión de monóxido de carbono que pueden causar daños materiales, lesiones personales o la muerte. La agencia de servicio calificada es responsable de la instalación adecuada de este kit. La instalación no se considerará correcta y completa hasta que se haya comprobado el funcionamiento del electrodoméstico convertido, según lo especificado en las instrucciones del fabricante que se facilitan con el kit.

Para instalaciones en Massachusetts

1. La instalación debe hacerla un contratista, plomero o instalador de gas calificados o con licencia del estado, provincia o región.
2. La llave de cierre tiene que ser una llave de gas en T.
3. La longitud del conector de gas flexible no debe ser superior a 36 pulgadas.

INSTRUCCIONES DE SEGURIDAD IMPORTANTES LEER Y CONSERVAR ESTAS INSTRUCCIONES

Al realizar pruebas en el sistema de tuberías de suministro, deben cumplirse los siguientes requisitos:

- El electrodoméstico y su llave de cierre individual deberán estar desconectados del sistema de tuberías de suministro de gas cuando las presiones de las pruebas superen 1/2 psi (3.5 kPa).
- El electrodoméstico debe aislarse del sistema de tuberías de suministro de gas cerrando su llave de cierre individual durante cualquier prueba de presión del sistema de tuberías de suministro de gas con presiones iguales o inferiores a 1/2 psi (3.5 kPa).

Advertencia en virtud de la Proposición 65 del estado de California:

 **ADVERTENCIA**

Este producto puede exponerle a sustancias químicas, incluyendo cloruro de vinilo, que el estado de California sabe que provocan cáncer, defectos congénitos u otros daños reproductivo. Para más información, consultar www.P65Warnings.ca.gov.

ADVERTENCIA

NUNCA dejar la conversión de gas parcialmente completa. Si se usa el electrodoméstico con la conversión incompleta, podrían emitirse altos niveles de monóxido de carbono o se podría producir un incendio o una explosión.

Para el agente de servicio

Es importante que conozca lo siguiente **ANTES** de empezar la conversión del electrodoméstico.

- Confirmar que el sistema de suministro de gas está disponible y listo para usar. Esto es especialmente importante para construcciones nuevas.
- Comprobar el tipo de gas suministrado en la ubicación. Asegurarse de que el electrodoméstico está conectado al tipo de gas para el que está certificado.
- Prever el suficiente tiempo y los recursos necesarios para realizar el proceso de conversión completo de forma correcta antes de abandonar el lugar de trabajo. Se debe realizar cada paso descrito en estas instrucciones para convertir con seguridad el electrodoméstico para que funcione correctamente a altas altitudes. **UNA CONVERSIÓN INADECUADA O INCOMPLETA DEL ELECTRODOMÉSTICO PUEDE IMPLICAR RIESGOS DE SEGURIDAD.**

Estufas de gas y estufas de dos combustibles convertidas para que funcionen con gas propano (LP) y a altas altitudes

Primero se debe convertir el electrodoméstico para que funcione con gas propano (LP), antes de que se pueda convertir para utilizarlo a altas altitudes. Un técnico de mantenimiento calificado debe instalar el kit de conversión a propano (LP).

Instrucciones de altas altitudes

Antes de empezar

⚠ PRECAUCIÓN

Antes de proceder con la conversión, interrumpir el suministro de gas al electrodoméstico antes de desconectar la alimentación eléctrica.

Herramientas necesarias

- Llave Torx T-20
- Llave estriada de 7/16"
- Llave estriada de 13/16"
- Boquilla de 7 mm o 9/32"
- Llave de tuerca de 1/4"
- Punta hexagonal de 16 mm o punta hexagonal de 5/8"
- Llave de tuercas ajustable
- Agua con jabón o una solución para detectar las fugas

Piezas incluidas

Kit Pro range de gas natural para altas altitudes para quemadores por encima de 5,400 pies y hasta 10,200 pies.	Cantidad
Desarmador, 1/8" x 0.20"	1
Esprea, 2.06 mm (206), 36/48", Harmony, quemador para hornear del horno principal	1
Esprea, 1.85 mm (185), 48", Grand, quemador para hornear del horno auxiliar	1

Kit Pro range de gas natural para altas altitudes para quemadores desde 10,000 pies hasta 10,200 pies.	Cantidad
Desarmador, 1/8" x 0.20"	1
Esprea, 1.26 mm (126), quemador STAR	3
Esprea, 1.20 mm (120), Grand/Harmony, quemador para asar del horno principal	1

Convertir unidades de gas natural por encima de 5,400 pies y hasta 10,200 pies

Reemplazar solo los siguientes quemadores para hornear del horno. Todos los demás quemadores para hornear deben permanecer sin cambios.

Pro Harmony de 36" y 48" (PRGxxxWxH)	Esprea n.º
Solo el quemador para hornear del horno principal	2.06 mm (206)

Pro Grand de 48" (PRGxxxWxG)	Esprea n.º
Solo el quemador para hornear del horno auxiliar	1.85 mm (185)

Lista de comprobación

Para que el electrodoméstico funcione bien, cada uno de los pasos indicados a continuación se debe llevar a cabo correctamente. Tachar cada paso después de finalizarlo.

Modelos Pro Harmony de 36" y 48" (PRGxxxWxH)

<input type="checkbox"/> Paso 1	Retirar la puerta del horno (página 37).
<input type="checkbox"/> Paso 2	Retirar el rodapié y los paneles frontales (página 39).
<input type="checkbox"/> Paso 3	Reemplazar la esprea del quemador para hornear del horno principal por la esprea de 2.06 mm (206) (página 39).
<input type="checkbox"/> Paso 4	Comprobar si el horno presenta fugas de gas (página 40).
<input type="checkbox"/> Paso 5	Volver a ensamblar la puerta, el rodapié y los paneles frontales.

Modelos Pro Grand de 48" (PRGxxxWxG)

<input type="checkbox"/> Paso 1	Retirar la puerta del horno (página 37).
<input type="checkbox"/> Paso 2	Retirar el rodapié y los paneles frontales (página 39).
<input type="checkbox"/> Paso 3	Reemplazar la esprea del quemador para hornear del horno auxiliar por la esprea de 1.85 mm (185) (página 39).
<input type="checkbox"/> Paso 4	Comprobar si el horno presenta fugas de gas (página 40).
<input type="checkbox"/> Paso 5	Volver a ensamblar la puerta, el rodapié y los paneles frontales.

Convertir unidades de gas propano por encima de 10,000 pies y hasta 10,200 pies

Reemplazar solo las siguientes espreas del quemador STAR® y del horno. Todos los demás quemadores deben permanecer sin cambios.

Pro Harmony de 36" y 48" (PR(L/D)xxxWxH(U/C))	Esprea n.º
Solo todos los quemadores STAR® frontales	1.26 mm (126)
Todos los quemadores STAR traseros	Sin cambios

Pro Harmony de 48" y Pro Grand de 36" (PRL48xWxH y PRL36xWxG)	Esprea n.º
Quemador para asar del horno principal <ul style="list-style-type: none"> • Pro Harmony de 48" (PRL48xWxH) • Pro Grand de 36" (PRL36xWxG) 	1.20 mm (120)
Todos los demás modelos de hornos y quemadores STAR	Sin cambios

Lista de comprobación

Para que el electrodoméstico funcione bien, cada uno de los pasos indicados a continuación se debe llevar a cabo correctamente. Tachar cada paso después de finalizarlo.

Modelos Pro Harmony de 36" (PR(G/L/D)xxxWxH(U/C))

<input type="checkbox"/> Paso 1	Reemplazar solo las espreas del quemador frontal por espreas de 1.26 mm (126) (página 34).
<input type="checkbox"/> Paso 2	Ajustar los tornillos de la válvula solo para los quemadores STAR frontales (página 35).
<input type="checkbox"/> Paso 3	Comprobar si la parrilla de gas presenta fugas (página 40).
<input type="checkbox"/> Paso 4	Volver a ensamblar la parrilla de gas.

Modelos Pro Harmony de 48" (PR(G/L)48xWxH)

<input type="checkbox"/> Paso 1	Reemplazar solo las espreas del quemador frontal por espreas de 1.26 mm (126) (página 34).
<input type="checkbox"/> Paso 2	Ajustar los tornillos de la válvula solo para los quemadores STAR frontales (página 35).
<input type="checkbox"/> Paso 3	Retirar la puerta del horno (página 37).
<input type="checkbox"/> Paso 4	Retirar el rodapié y los paneles frontales (página 39).
<input type="checkbox"/> Paso 5	Reemplazar la esprea del quemador para hornear del horno principal por la esprea de 1.20 mm (120) (página 39).
<input type="checkbox"/> Paso 6	Comprobar si la parrilla de gas y el horno presentan fugas de gas (página 40).
<input type="checkbox"/> Paso 7	Volver a ensamblar la parrilla de gas, la puerta, el rodapié y los paneles frontales.

Modelos Pro Grand de 36" (PR(G/L)36xWxG)

<input type="checkbox"/> Paso 1	Retirar el rodapié y los paneles frontales (página 39).
<input type="checkbox"/> Paso 2	Reemplazar la esprea del quemador para hornear por la esprea de 1.20 mm (120) (página 39).
<input type="checkbox"/> Paso 3	Comprobar si el horno presenta fugas de gas (página 40).
<input type="checkbox"/> Paso 4	Volver a ensamblar la puerta, el rodapié y los paneles frontales.

Procedimiento de montaje

Reemplazar las espreas de los quemadores STAR®

Solo es necesario para convertir unidades de gas propano de 10,000 pies hasta 10,200 pies

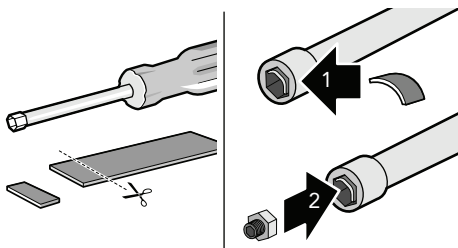
Reemplazar solo las siguientes espreas. Todos los demás quemadores STAR deben permanecer sin cambios.

Pro Harmony de 36" y 48" PR(L/D)xxxWxH(U/C)	Esprea n.º
Solo todos los quemadores STAR® frontales	1.26 mm (126)
Todos los quemadores STAR traseros	Sin cambios

Para preparar la llave de tuerca para la conversión de las espreas de los quemadores STAR

La cinta de espuma ayuda a mantener la esprea en el extremo de la llave de tuerca, de forma que no caiga en el interior del electrodoméstico durante la retirada o instalación de la esprea.

1. Recortar un pequeño trozo de la cinta de espuma suministrada en este kit (aprox. 1/4" x 1/2" / 6 x 12 mm).
2. Colocar cinta de espuma sobre el borde de una boquilla de 7 mm o a 9/32" con una llave de tuerca de 1/4", usada para sustituir las espreas de los quemadores, como se muestra a continuación.

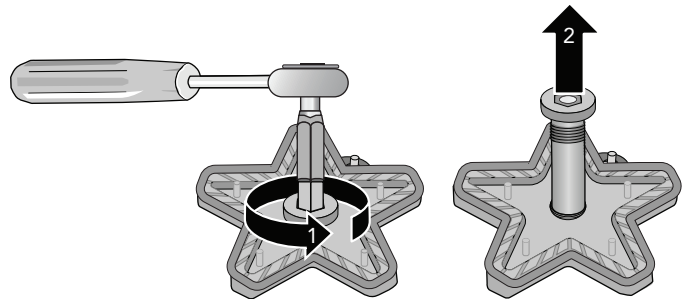


Para retirar las espreas de los quemadores STAR

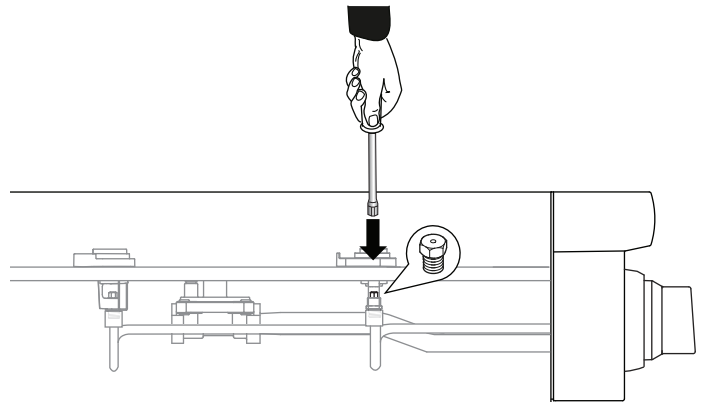
1. Retirar las rejillas de la parrilla de gas y las tapas de los quemadores.

2. Usar un adaptador de cabeza hexagonal de 16 mm para los quemadores etiquetados con «D» o «F». Usar un adaptador de cabeza hexagonal de 9 mm para los quemadores etiquetados con «B» para retirar el venturi de cada base del quemador.

CONSEJO: Si un adaptador de cabeza hexagonal de 16 mm no está disponible, se puede optar por una punta hexagonal de 5/8". Como alternativa se puede usar un perno con cabeza de 5/8", bien sea con «tuerca doble» o apretado, en el portabrocas de un taladro.



3. Acceder a las boquillas de los inyectores con la llave de tuerca envuelta con la cinta de espuma y retirar con cuidado la esprea de gas de las boquillas de los inyectores de los quemadores STAR.



Para sustituir las espreas de los quemadores STAR de la parrilla de gas

1. Localizar las espreas correctas de los quemadores STAR incluidas en el kit. El diámetro de las espreas está estampado en el lateral de los mismos.



- Sustituir las espreas como se indica en la tabla.

Solo todos los quemadores STAR	1.26 mm (126)
Todos los quemadores STAR traseros	Sin cambios

NOTA: Todas las espreas de reemplazo del kit de conversión tienen roscas rectas (no cónicas) y no necesitan un compuesto para sellar las roscas.

Desensamblar la parrilla de gas

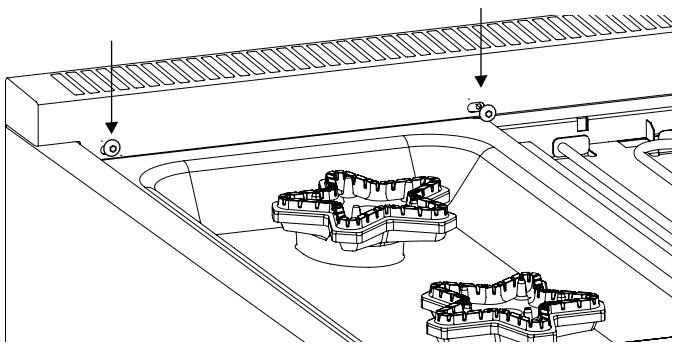
Solo es necesario si se ha caído una esprea en el interior de la parrilla de gas.

⚠ PRECAUCIÓN

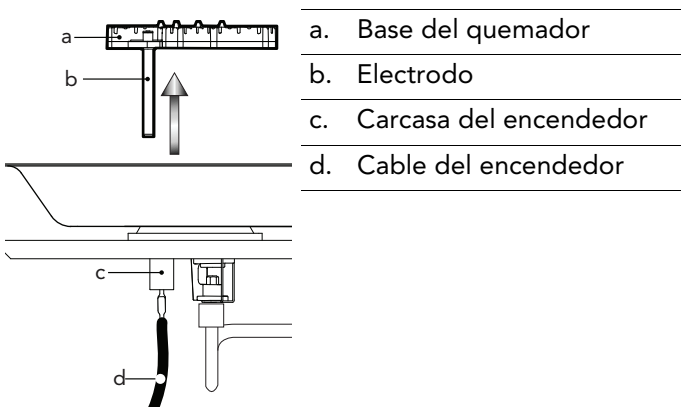
Interrumpir el suministro de gas al electrodoméstico antes de desconectar la alimentación eléctrica.

Para desmontar la parrilla de gas

- Para quitar más fácilmente el colector de grasa, retirar los tornillos Torx T-20 de la parte delantera del adorno de isla o de la consola trasera.



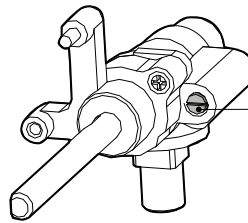
- Desconectar el encendedor. Jalar con cuidado la base del quemador.



- Retirar con cuidado el pedestal de cada quemador.
- Retirar los colectores de grasa girándolos hacia arriba y empujándolos hacia atrás.
- Retirar la pantalla térmica en algunos modelos. Algunos modelos están equipados con una pantalla de anchura doble que se extiende bajo el colector de grasa adyacente.

Ajustar los tornillos de las válvulas de los quemadores STAR®

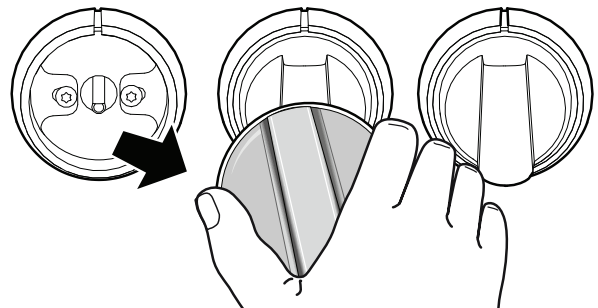
Solo es necesario para convertir unidades de gas propano de 10,000 pies hasta 10,200 pies.



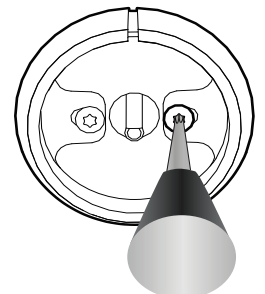
Se usa un desarmador plano con una punta de 1/8" [3,0 mm] de ancho y .020" [0,50 mm] de grosor (incluido) para ajustar los tornillos de la válvula.



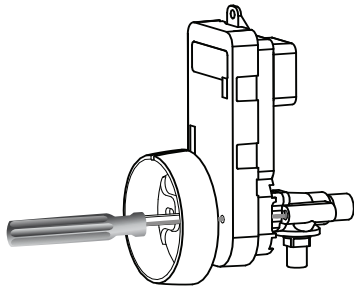
- Retirar la perilla del vástago de la válvula jalándola hacia el exterior, fuera del panel de control.



- Retirar el tornillo de montaje con bisel ubicado a la derecha del vástago de la válvula con un desarmador Torx T-20.



- Insertar un desarmador plano de 1/8" en la esprea del tornillo de montaje con bisel. Acceder a los tornillos de la válvula a través del agujero de paso en el módulo de encendido por chispas. Se debe sentir el enganche del desarmador y el tornillo de la válvula.



- Ajustar el tornillo de la válvula girándolo un 1/8 de vuelta en el sentido de las agujas del reloj para reducir el tamaño de la llama para hervir a fuego lento. Girar el tornillo en el sentido contrario a las agujas del reloj para aumentar el tamaño de la llama para hervir a fuego lento. Ajustar el tornillo de la válvula para obtener la potencia suficiente para hervir a fuego lento. Teniendo en cuenta las fluctuaciones normales de presión del gas, la estabilidad de la llama podría verse afectada si se aprieta demasiado el tornillo de la válvula.
- Realizar una prueba para detectar fugas de gas en cada esprea y en los racores del tubo de alimentación correspondiente. Consultar "Prueba para detectar fugas de gas" en la página 40. La prueba para detectar fugas de gas se debería hacer una vez terminada la conversión de las espreas y antes de que se vuelvan a ensamblar y probar los quemadores.

Reemplazar la esprea del quemador para asar, solo en estufas de gas

Solo es necesario para convertir unidades de gas propano de 10,000 pies hasta 10,200 pies.

⚠ PRECAUCIÓN

Después de reemplazar la esprea del quemador para asar y antes de volver a ensamblar el panel posterior y la consola trasera de la estufa, realizar una prueba para detectar fugas de gas en la esprea y los racores asociados, conforme a la sección "Prueba para detectar fugas de gas" de estas instrucciones.

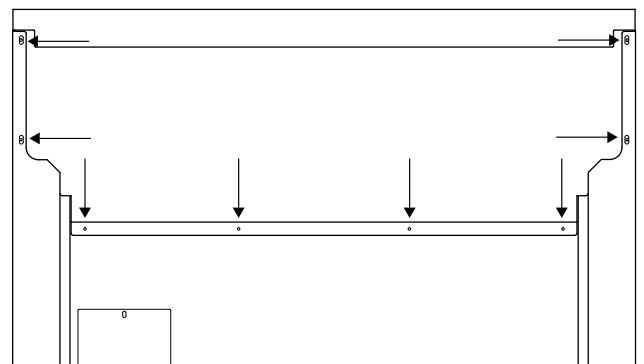
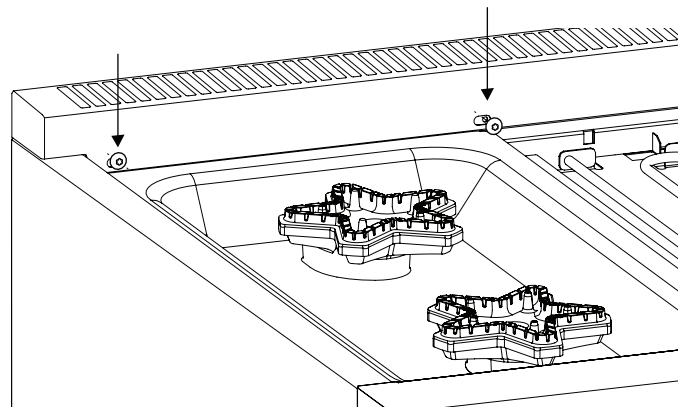
NOTA: Las estufas de dos combustibles cuentan con hornos eléctricos y no tienen una esprea para el quemador para asar.

Reemplazar solo las siguientes espreas del quemador para asar del horno. Todas las demás espreas deben permanecer sin cambios.

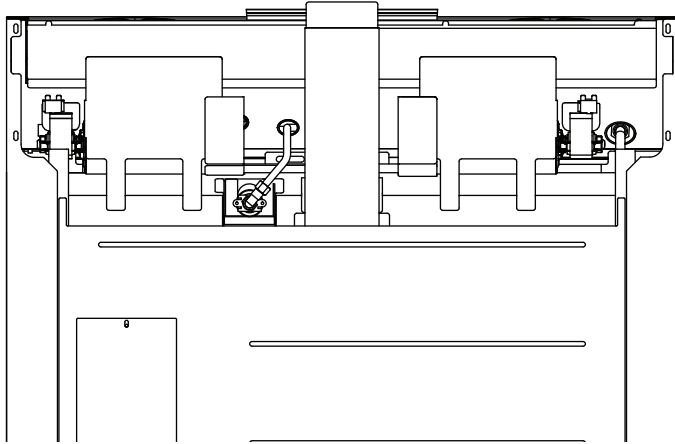
Pro Harmony de 48" y Pro Grand de 36" (PRL48xWxH y PRL36xWxG)	Esprea n.º
Quemador para asar del horno principal	1.20 mm (120)
<ul style="list-style-type: none"> Pro Harmony de 48" Pro Grand de 36" 	

Retirar el conjunto de la consola trasera

- Usar un desarmador Torx T-20 para retirar los tornillos de los paneles frontal y trasero del conjunto de la consola trasera.



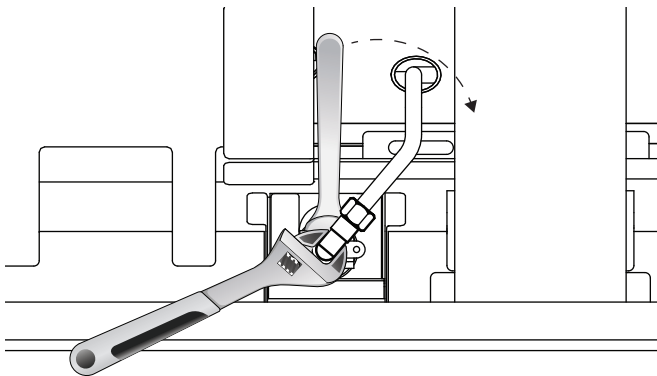
2. Levantar con cuidado el conjunto de la consola trasera de la estufa.



Reemplazar la esprea del quemador para asar

1. Retirar la esprea del quemador para asar usando una llave estriada de 7/16" y al mismo tiempo, impedir girar en codo usando una llave de tuercas ajustable.

IMPORTANTE: NO doblar la placa de fijación de la esprea del quemador para asar. Asegurarse de que la esprea del quemador para asar esté alineada en el centro de la entrada del tubo del quemador.



2. Sustituir las espreas como se indica en la tabla.

Pro Harmony de 48" y Pro Grand de 36" (PRL48xWxH y PRL36xWxG)	Esprea n.º
Quemador para asar del horno principal <ul style="list-style-type: none"> • Pro Harmony de 48" • Pro Grand de 36" 	1.20 mm (120)

NOTA: las espreas de reemplazo del quemador para asar tienen roscas rectas (no cónicas) y **NO** necesitan un compuesto para sellar las roscas.

3. Realizar una prueba para detectar fugas de gas en la esprea y los racores del tubo de alimentación correspondiente, conforme a la sección «Prueba para detectar fugas de gas» de estas instrucciones.

Reemplazar la esprea del quemador para hornear, solo en estufas de gas

Solo es necesario para convertir unidades de gas natural por encima de 5,400 pies hasta 10,200 pies.

NOTA: Las estufas de dos combustibles cuentan con hornos eléctricos y no tienen una esprea para el quemador para hornear.

Reemplazar solo las siguientes espreas del quemador para hornear del horno. Todas las demás espreas deben permanecer sin cambios.

Pro Harmony de 36" y 48" (PRGxxxWxH)	Esprea n.º
Solo el quemador para hornear del horno principal	2.06 mm (206)

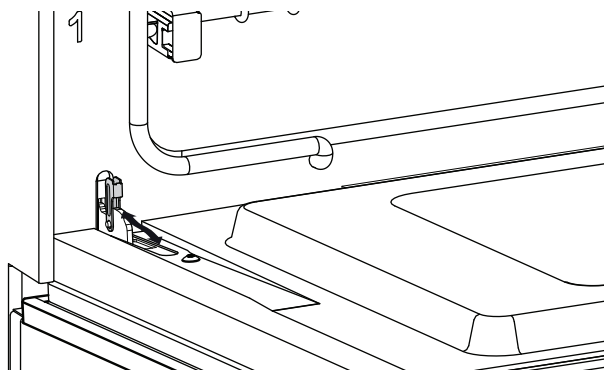
Pro Grand de 48" (PRGxxxWxG)	Esprea n.º
Solo el quemador para hornear del horno auxiliar	1.85 mm (185)

Retirar la puerta del horno

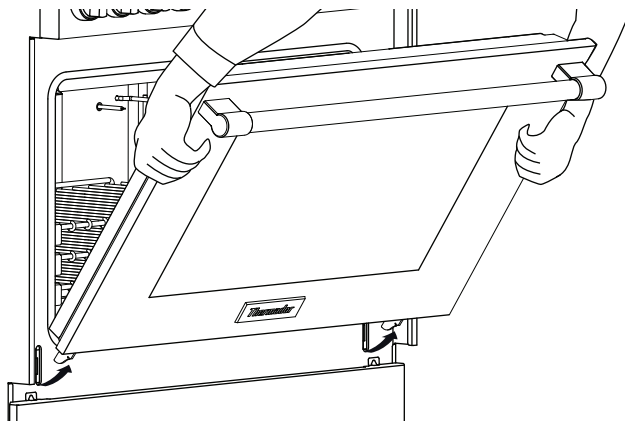
⚠ PRECAUCIÓN

- **RETIRAR LA PUERTA CON CUIDADO. LA PUERTA ES MUY PESADA.**
- La puerta del horno es pesada y frágil. Usar las dos manos para retirar o sustituir la puerta.
- Si no se agarra la puerta del horno con firmeza y adecuadamente podrían producirse lesiones personales o daños en el producto.
- Nunca soltar las palancas ni intentar cerrar las bisagras cuando se haya retirado la puerta. Sin el peso de la puerta, los potentes resortes cerrarán las bisagras con mucha fuerza.

1. Abrir completamente la puerta. Empujar los soportes de las bisagras hacia abajo en ambos lados de la puerta. Es posible que se necesite un desarmador para hacer palanca hacia atrás en el soporte.



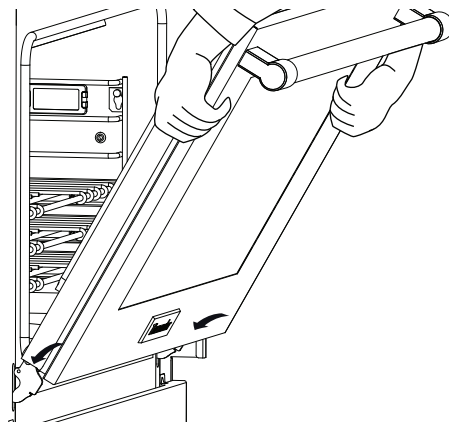
2. Cerrar la puerta despacio hasta apoyarla contra los soportes de las bisagras. Los soportes de las bisagras abiertos mantienen la puerta abierta a un ángulo de unos 30° respecto a su posición cerrada.
3. Agarrar la puerta con firmeza por los extremos. Levantar la puerta y sacarla hacia afuera. Los resortes ofrecerán un poco de resistencia.



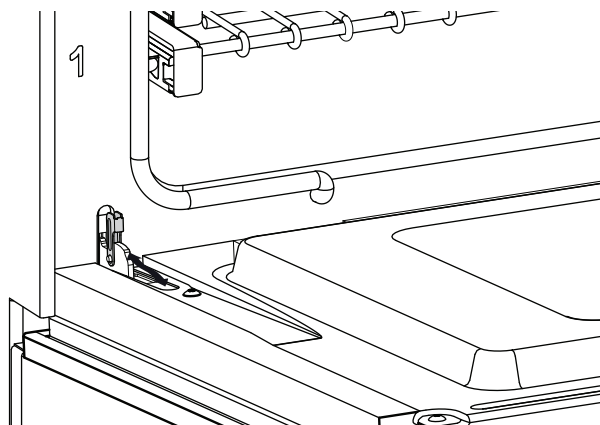
4. Guardar la puerta en un lugar seguro y estable.

Reinstalar la puerta del horno

1. Sostener la puerta firmemente con ambas manos.
2. Sostener la puerta en un ángulo de unos 30° respecto a su posición cerrada. Insertar las bisagras centradas en las ranuras. Las bisagras se engancharán con seguridad en las ranuras cuando estén correctamente instaladas. **NO** forzar, doblar o girar la puerta.



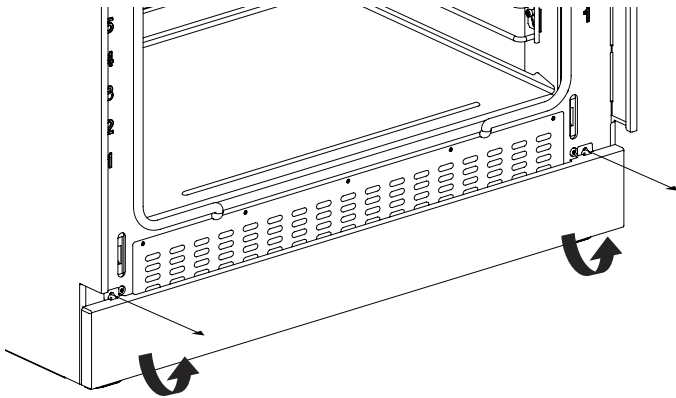
3. Abrir completamente la puerta para exponer las bisagras, las palancas y las ranuras.
4. Empujar las bisagras hacia adelante hasta que estén colocadas en la placa de fijación. Es posible que se necesite un desarmador para empujar hacia atrás con cuidado el soporte.



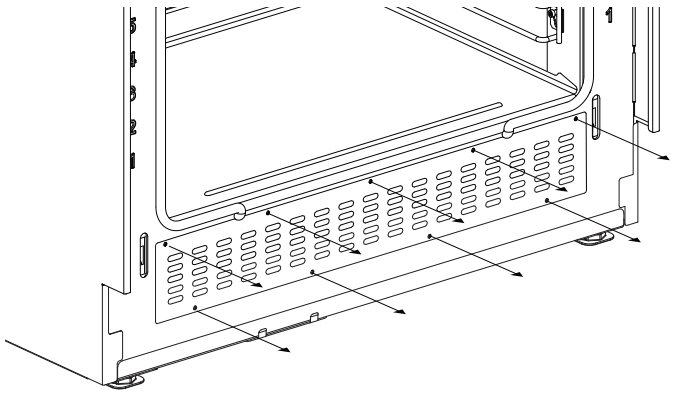
5. Cerrar y abrir la puerta lentamente para asegurarse de que está bien colocada y de forma segura.

Retirar el rodapié y los paneles frontales

1. Retirar los tornillos del rodapié usando un desarmador Torx T-20.



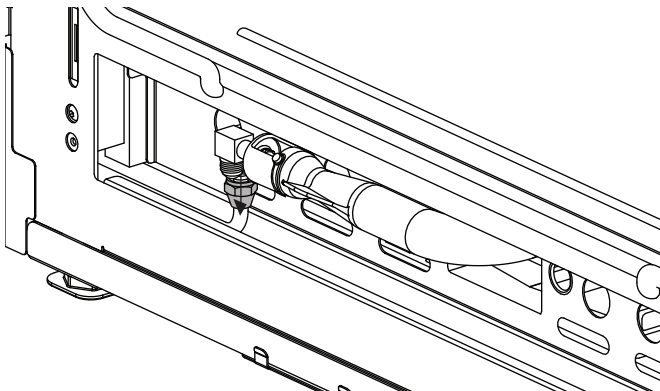
2. Retirar los tornillos del panel frontal usando un desarmador Torx T-20.



Reemplazar la esprea del quemador para hornear

Para reemplazar la esprea del quemador para hornear:

1. Retirar la tubería de gas del quemador para hornear usando una llave estriada de 13/16" y, al mismo tiempo, impedir girar al racor en codo usando una llave de tuercas ajustable.

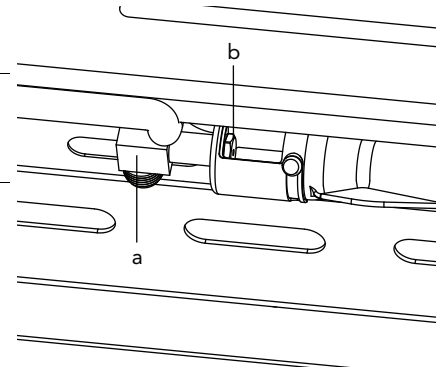


IMPORTANTE: NO doblar el tubo ni el respiradero del quemador para hornear. Asegurarse de que la esprea del quemador para hornear esté alineada en el centro de la entrada del tubo del quemador.

2. Girar a mano el racor en codo de la esprea (a) y, al mismo tiempo, impedir girar a la esprea del quemador para hornear (b) usando una llave de tuercas ajustable.

a. Racor en codo de la esprea

b. Esprea del quemador para hornear



3. Sustituir las espreas como se indica en la tabla y volver a fijar la tubería de gas.

Pro Harmony de 36" y 48" (PRGxxxWxH)	Esprea n.º
Solo el quemador para hornear del horno principal	2.06 mm (206)
Pro Grand de 48" (PRG48xWxG)	Esprea n.º
Solo el quemador para hornear del horno auxiliar	1.85 mm (185)

4. Realizar una prueba para detectar fugas de gas en la esprea y los racores del tubo de alimentación correspondiente, conforme a la sección «Prueba para detectar fugas de gas» de estas instrucciones.

NOTA: Las espreas de reemplazo del quemador para hornear tienen roscas rectas (no cónicas) y **NO** necesitan un compuesto para sellar las roscas.

Prueba para detectar fugas de gas

⚠ ADVERTENCIA

NO utilizar ningún tipo de llama para detectar las fugas de gas.

⚠ PRECAUCIÓN

NO rociar los dispositivos eléctricos expuestos con una solución con agua. Si se cae alguna gota de la solución sobre los componentes eléctricos, desconectar la alimentación eléctrica antes de limpiar las piezas.

Detección de fugas de gas usando una solución líquida

La prueba para detectar fugas de gas se debería hacer una vez que se han sustituido las espreas y antes de que se vuelva a ensamblar y probar el electrodoméstico.

1. Asegurarse de que se ha apretado la esprea y de que todas las válvulas y controles están en la posición de apagado.
2. Conectar la alimentación eléctrica y el suministro de gas.
3. Rociar una cantidad generosa de una mezcla de agua y jabón (o de cualquier otra solución concebida para detectar fugas) en la parte enroscada de la base de la esprea, el racor en codo y la tuerca de compresión del tubo de gas. (Una mezcla compuesta de 25 % de jabón en agua es eficaz para esto). Evitar rociar los dispositivos eléctricos.
4. Girar la perilla de modo y de temperatura del horno hasta «BROIL» (Asar) y, al mismo tiempo, bloquear la esprea para asar con una goma de borrar suave, los dedos o algo similar.
 - Transcurrirá un plazo de unos 45 a 90 segundos hasta que el serpentín de la válvula de seguridad se caliente y libere el accionador de la válvula. Normalmente se escucha un único chasquido cuando se abre la válvula de seguridad del asador.
5. Supervisar la base de la unión de la esprea, el racor en codo y la tuerca de compresión para comprobar si se forman burbujas en algún lugar alrededor de las conexiones.
 - Las burbujas indican que hay una fuga de gas.
6. Si el electrodoméstico presenta fugas de gas, repararlas inmediatamente.

7. Repetir en las espreas de los quemadores para hornear y de los quemadores STAR correspondientes.
8. Desconectar la alimentación eléctrica y el suministro de gas.

Volver a ensamblar la parrilla de gas y el horno

Volver a ensamblar la parrilla de gas en el siguiente orden:

1. Pantalla térmica de la parrilla de gas (si existe)
2. Colectores de grasa (si existen)
3. Pedestales de los quemadores (si existen)
4. Bases de los quemadores (si existen)
5. Venturi
6. Tapas de los quemadores
7. Consola trasera (si existe)
8. Rejillas
9. Panel frontal
10. Rodapié
11. Puerta del horno

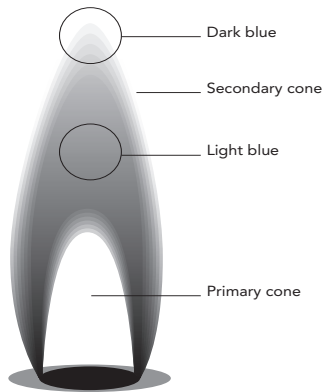
Comprobar la llama y el rendimiento del quemador

Para observar las llamas de los quemadores, podría ser necesario apagar las luces o bajar las persianas para oscurecer la habitación y ver más fácilmente la llama.

Para probar el encendido de los quemadores STAR

1. Empujar la perilla de control del quemador y girarlo hasta la posición «HI».
 - El electrodo del encendedor y el módulo de chispas producirán un chasquido. Una vez que se haya purgado el aire de las tuberías de alimentación, el quemador debería encenderse en menos de cuatro segundos.

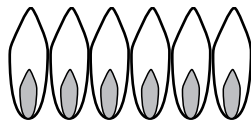
- Las llamas deben ser estables y hacer poco ruido. Los conos interiores de cada llama deben estar bien definidos y separados uno de otro. La llama, alrededor del quemador, no debe tener partes excesivamente o continuamente «elevadas» o «vagas».



NOTA: Es normal que las puntas de las llamas estén levemente amarillas después de unos minutos de funcionamiento con gas propano (LP). Los trazos naranjas en las llamas son producidos por la combustión de restos en el aire. Este fenómeno es normal durante los momentos que siguen el encendido y deberían disiparse después de unos minutos de funcionamiento.

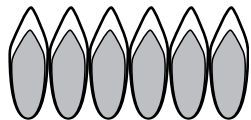
Llamas amarillas:

Se necesita un mayor ajuste.



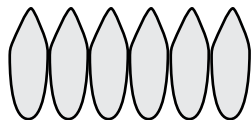
Puntas amarillas en la parte exterior:

Normal en gas LP



Llamas azul claro:

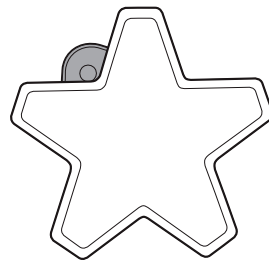
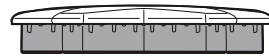
Normal en gas natural



- Ajustar la válvula de control del quemador a la posición «LO» o «SIM» para verificar si la llama sigue difundirse alrededor del quemador. Apagar la llama soplandola o agitando una hoja o un trozo de cartón y luego observar la capacidad del quemador para encenderse de nuevo y propagar la llama en todo el quemador en pocos segundos. La propagación de la llama es esencial para que se encienda y vuelva a encender adecuadamente el quemador.

- Probar la reignición de «XLO®» y observar la propagación de la pequeñas llamas para hervir a fuego lento mientras el sistema XLO enciende y apaga los quemadores.

- Si el rendimiento de la llama no es adecuado, podría ser necesario reajustar el tornillo de la válvula de un quemador superior cuya propagación de la llama sea insuficiente. Girar muy ligeramente el tornillo de la válvula en el sentido contrario a las agujas del reloj hasta que la propagación de la llama sea aceptable. (Consultar "Ajustar los tornillos de las válvulas de los quemadores STAR®").
- Si la llama de un quemador es irregular, centellea, produce ruidos excesivos o se eleva, es posible que algunas de las ranuras de la base del quemador estén obstruidas por derrames de alimentos o por otros restos. Las ranuras bloqueadas se pueden limpiar con un clip desdoblado, una aguja o un objeto semejante. A veces, los alimentos y los restos incrustados y difíciles de limpiar se pueden quitar con un estropajo de acero o un cepillo metálico.
- Se puede producir una llama «vaga», con largas llamas, porque la tapa de un quemador está mal colocada. Varias de las puntas de las llamas individuales tendrán tendencia a fusionarse o a confluir. Comprobar que la tapa del quemador esté correctamente colocada sobre la base del quemador. Cuando esté colocada correctamente, la tapa debería estar razonablemente plana sobre la base y no debería balancearse demasiado.



Tapa del quemador correcta



Tapa del quemador incorrecta

- Repetir las pruebas de la llama y del encendido de cada quemador de la parrilla de gas.

5. Probar el encendido de gas para asar (solo estufas de gas). Girar la perilla de modo y de temperatura del horno hasta «BROIL» (Asar).
 - El encendedor de superficies calientes intentará encender el asador después de que transcurra un plazo de 45 a 90 segundos, cuando el serpentín de la válvula de seguridad se caliente para abrirse. Una vez que se haya purgado el aire de las tuberías de alimentación de gas, el asador debería encenderse en menos de cuatro (4) segundos.
 - Las placas de cerámica del quemador deberían iluminarse de un color rojo intenso (infrarrojo) después de estar funcionando durante unos minutos. Si una vez que hayan transcurrido unos minutos con el quemador encendido, el asador solo se ilumina levemente en rojo (y la llama que flota en la superficie del quemador es principalmente azul), comprobar que la esprea del asador esté alineada en el centro de la entrada del tubo del quemador.
6. Repetir en las espreas de los quemadores para hornear.

Support

Thank you for being a Thermador customer!

Thermador is dedicated to supporting you and your appliance so you have many years of creative cooking. Please don't hesitate to contact us if you have any questions. We're happy to help you with cleaning and care instructions, cooking tips, accessories, troubleshooting, and more.

USA:

1-800-735-4328

thermador.com/customer-care

Canada:

1-800-735-4328

thermador.ca/support

Accessories and parts

Filters, Thermador cleaners, teppanyaki pans, griddles, replacement parts, and more can be purchased in our online accessories store.

USA:

store.thermador.com/us

Canada:

Filters, parts and accessories can be purchased through our distributors.

Marcone: 1-800-287-1627

Reliable Parts: 1-800-663-6060

Soutien

Merci d'être un client Thermador!

Thermador s'engage à offrir tout le support dont vous et votre appareil avez besoin afin que vous puissiez en profiter pleinement. N'hésitez pas à communiquer avec nous pour toute question. Nous serons heureux de vous aider avec des directives concernant le nettoyage et les soins, des conseils de cuisson, des accessoires, le dépannage et plus encore.

É.-U. :

1-800-735-4328

thermador.com/customer-care

Canada :

1-800-735-4328

thermador.ca/support

Accessoires et pièces

Vous trouverez dans notre magasin d'accessoires en ligne des filtres, des produits nettoyants Thermador, des poêles teppanyaki, des plaques à frire, des pièces de rechange et plus encore.

É.-U. :

store.thermador.com/us

Canada :

Les filtres, pièces et accessoires peuvent être achetés auprès de nos distributeurs.

Marcone: 1-800-287-1627

Reliable Parts: 1-800-663-6060

Soporte

¡Gracias por ser un cliente Thermador!

Thermador se dedica a apoyarlo a usted y a su aparato para que tenga muchos años para cocinar creativamente. No dude en contactarnos si tuviera preguntas. Nos encantará ayudarlo con las instrucciones de limpieza y cuidado, consejos para cocinar, accesorios, solución de problemas y más.

EEUU:

1-800-735-4328

thermador.com/customer-care

Canadá:

1-800-735-4328

thermador.ca/support

Accesorios y piezas

Los filtros, limpiadores Thermador, sartenes de teppanyaki, planchas, piezas de refacción y más se pueden comprar en nuestra tienda de accesorios en línea.

EEUU:

store.thermador.com/us

Canadá:

Los filtros, piezas y accesorios se pueden comprar a través de nuestros distribuidores.

Marcone: 1-800-287-1627

Reliable Parts: 1-800-663-6060

