

**Thermador**® | *An American Icon*™

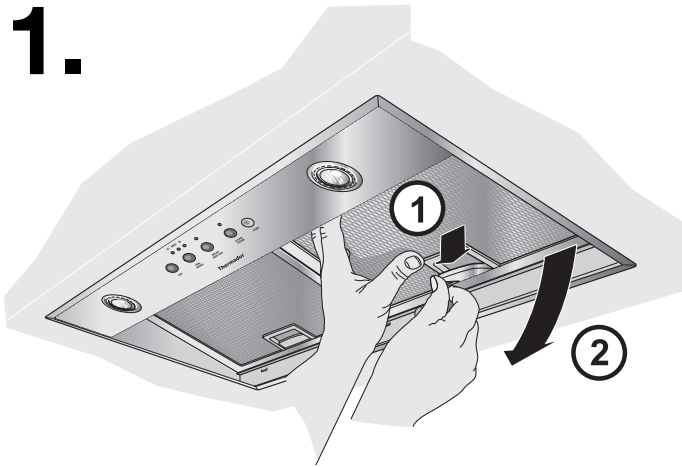
# INSTALLATION MANUAL

MODEL: BAFFLT30/36/48

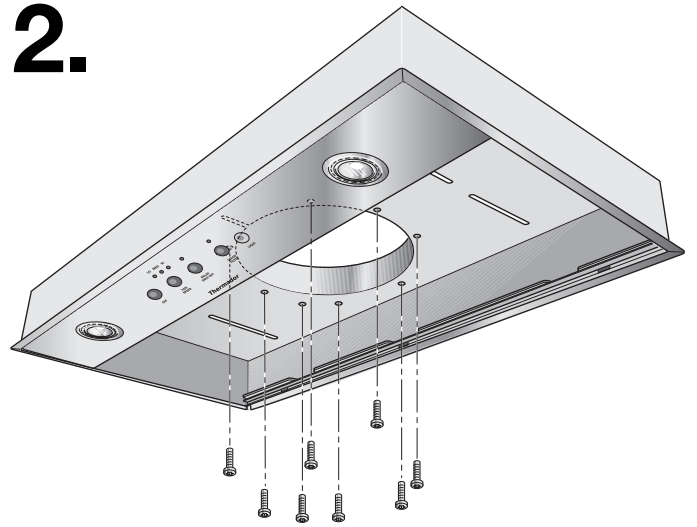


# INSTALLATION

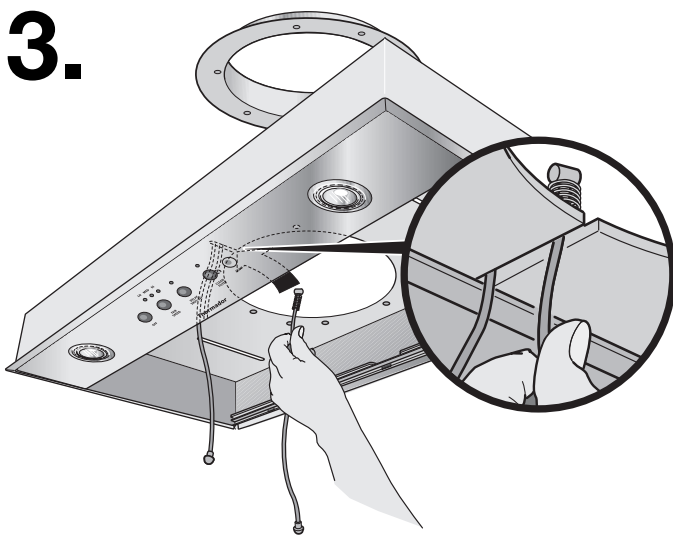
1.



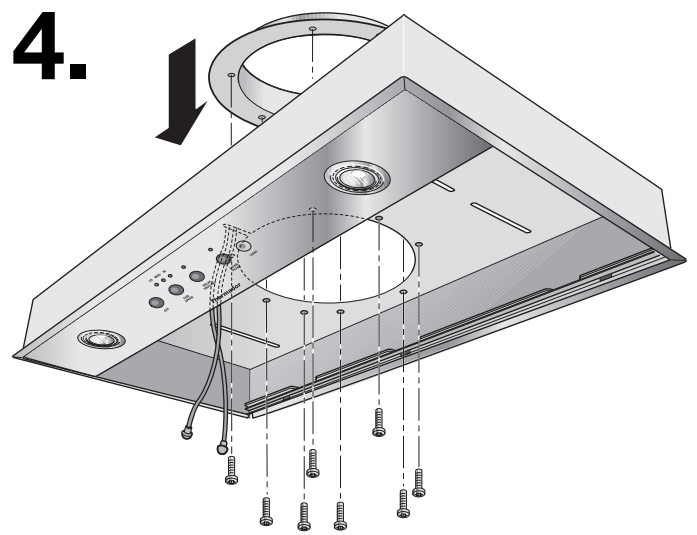
2.



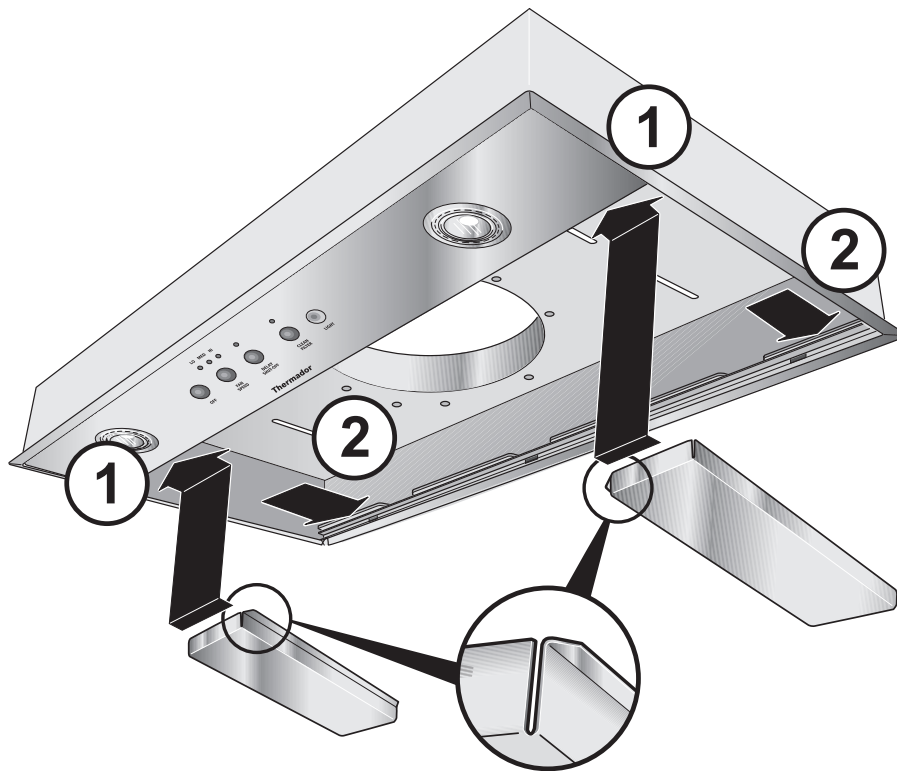
3.



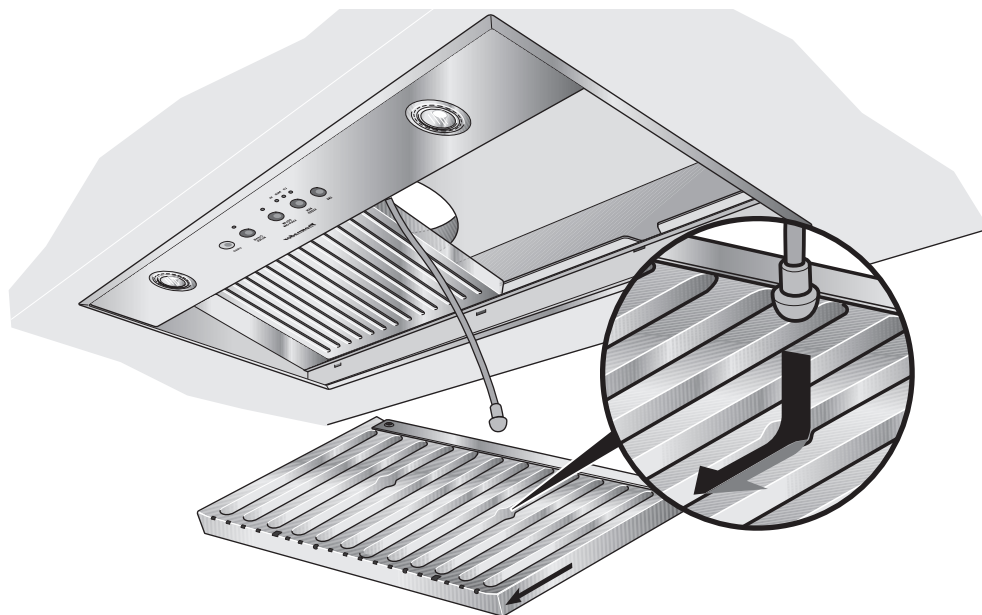
4.



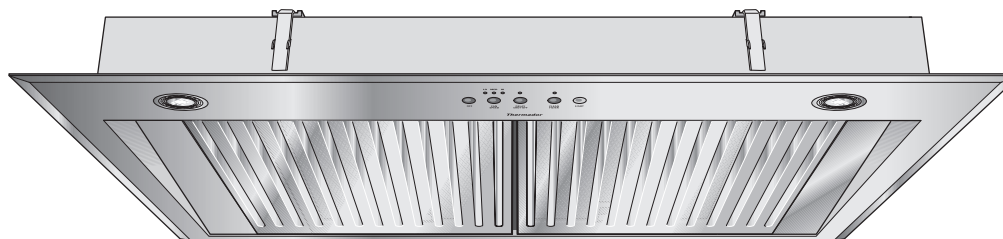
**5.**



**6.**



**7.**



**Thermador**<sup>®</sup> | *An American Icon*<sup>™</sup>

5551 McFadden Avenue, Huntington Beach CA, 92649 • 800-735-4328 • [www.thermador.com](http://www.thermador.com)  
9000220534 • 10013 RevB • 02/07 © BSH Home Appliances Corporation • Litho in U.S.A.