

2-Foot Rectangular Duct Downdraft
CVDUCT2



Product Features

Performance

Allows three ways to exhaust at downdraft housing at sides or bottom
For use with remote or inline blower applications
CVTRECT2 transition needed to directly connect to downdraft housing
See installation guide for details

Design

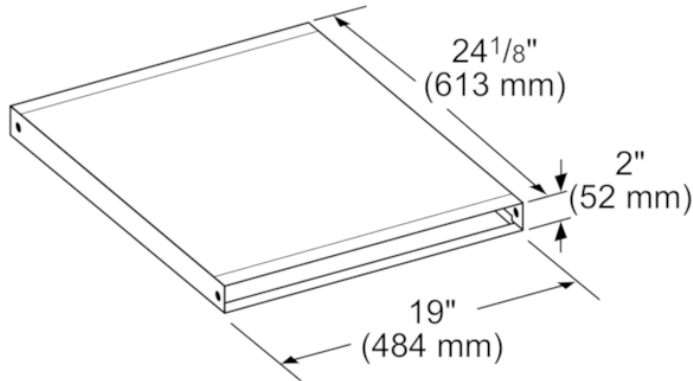
Slim rectangular duct that is 2' x 1-7/8" x 19"
Designed for use with UCVM30RS, UCVM36RS, UCVP36RS downdrafts
Durable galvanized steel construction
Can be attached to CVTSIDE6, CVTSIDE8, CVTSIDE10 transitions
Duct length can be modified to suit your installation needs

Notes: Please refer to installation instructions. Installation instructions are available at www.thermador.com. Specifications are correct at the time of printing. Thermador reserves the right to change product specifications and design at any time, without notice.

1 800 735 4328 | WWW.THERMADOR.COM | 1901 Main Street, Suite 600 Irvine, CA 92614

©2019 BSH HOME APPLIANCES CORPORATION, ALL RIGHTS RESERVED LITHO DATE: 04/2019

2-Foot Rectangular Duct Downdraft CVDUCT2



measurements in inches (mm)

Product Features

Product group	Accessory
Brand	Thermador
SKU	CVDUCT2
Internal article number	00000000011026318
EAN code	825225920762
Net weight (lbs)	7
Gross weight (lbs)	8
Standard number of units per pallet	30
UPC code	825225920762

Technical Specification

Notes: Please refer to installation instructions. Installation instructions are available at www.thermador.com. Specifications are correct at the time of printing. Thermador reserves the right to change product specifications and design at any time, without notice.

1 800 735 4328 | WWW.THERMADOR.COM | 1901 Main Street, Suite 600 Irvine, CA 92614

©2019 BSH HOME APPLIANCES CORPORATION, ALL RIGHTS RESERVED LITHO DATE: 04/2019