

10-Inch Side/Rear Transition for Downdraft



Product Features

Performance

For use with remote or inline blower applications

Use with blowers, ducting, or elbows with 10 inch round duct connection

Can attach to downdraft housing or CVDUCT2 rectangular duct accessory

See installation guide for details

Design

Rectangular 1-7/8" x 19" transition to 10" round

Designed for use with UCVM30RS, UCVM36RS, UCVP36RS downdrafts

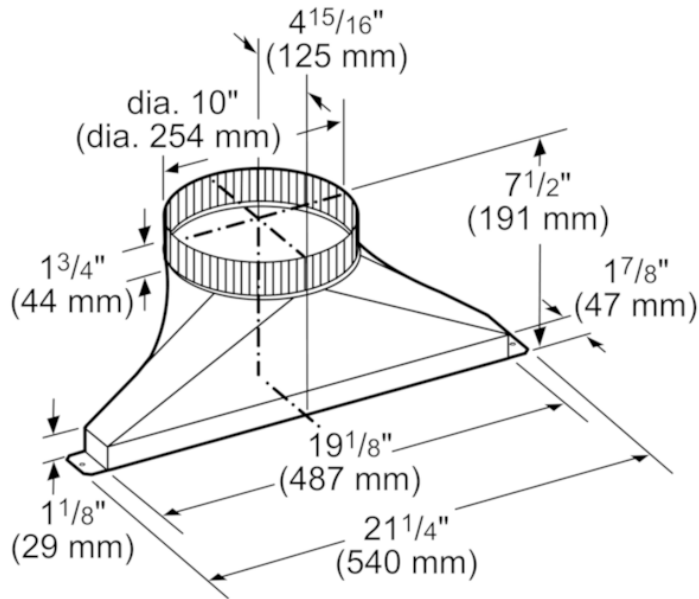


Notes: Please refer to installation instructions. Installation instructions are available at www.thermador.com. Specifications are correct at the time of printing. Thermador reserves the right to change product specifications and design at any time, without notice.

1 800 735 4328 | WWW.THERMADOR.COM | 1901 Main Street, Suite 600 Irvine, CA 92614

©2020 BSH HOME APPLIANCES CORPORATION, ALL RIGHTS RESERVED LITHO DATE: 05/2020

10-Inch Side/Rear Transition for Downdraft



measurements in inches (mm)

Product Features

| | |
|-------------------------------------|---|
| Product group | Accessory |
| Brand | Thermador |
| SKU | CVTSIDE10 |
| Internal article number | 0000000000077719 |
| EAN code | 825225920748 |
| Net weight (lbs) | 4 |
| Gross weight (lbs) | 4 |
| Standard number of units per pallet | 20 |
| UPC code | 825225920748 |
| Name of product image | MCSA02477503_i3926_1851198_CVTSIDE10_de |

Technical Specification

Notes: Please refer to installation instructions. Installation instructions are available at www.thermador.com. Specifications are correct at the time of printing. Thermador reserves the right to change product specifications and design at any time, without notice.

1 800 735 4328 | WWW.THERMADOR.COM | 1901 Main Street, Suite 600 Irvine, CA 92614

©2020 BSH HOME APPLIANCES CORPORATION, ALL RIGHTS RESERVED LITHO DATE: 05/2020