

## 8-Inch Side/Rear Transition for Downdraft



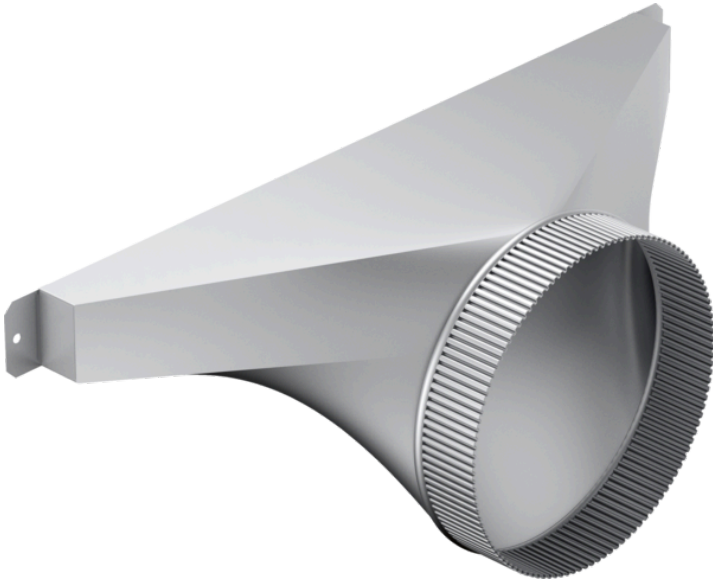
### Product Features

#### Performance

- For use with VTD600P blower as an inline installation
- Use with ducting or elbows with 8 inch round duct connection
- Can attach to downdraft housing or CVDUCT2 rectangular duct accessory
- See installation guide for details

#### Design

- Rectangular 1-7/8" x 19" transition to 8" round
- Designed for use with UCVM30RS, UCVM36RS, UCVP36RS downdrafts

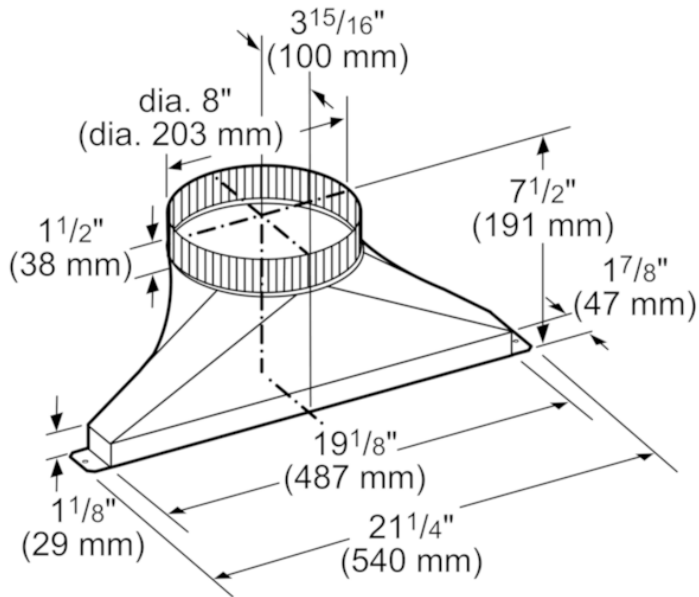


Notes: Please refer to installation instructions. Installation instructions are available at [www.thermador.com](http://www.thermador.com). Specifications are correct at the time of printing. Thermador reserves the right to change product specifications and design at any time, without notice.

1 800 735 4328 | [WWW.THERMADOR.COM](http://WWW.THERMADOR.COM) | 1901 Main Street, Suite 600 Irvine, CA 92614

©2020 BSH HOME APPLIANCES CORPORATION, ALL RIGHTS RESERVED LITHO DATE: 05/2020

## 8-Inch Side/Rear Transition for Downdraft



measurements in inches (mm)

### Product Features

Product group	Accessory
Brand	Thermador
SKU	CVTSIDE8
Internal article number	00000000000777718
EAN code	825225920755
Net weight (lbs)	3
Gross weight (lbs)	3
Standard number of units per pallet	20
UPC code	825225920755
Name of product image	MCSA02477409_i3922_1851069_CVTSIDE8_de

### Technical Specification

Notes: Please refer to installation instructions. Installation instructions are available at [www.thermador.com](http://www.thermador.com). Specifications are correct at the time of printing. Thermador reserves the right to change product specifications and design at any time, without notice.

1 800 735 4328 | [WWW.THERMADOR.COM](http://WWW.THERMADOR.COM) | 1901 Main Street, Suite 600 Irvine, CA 92614

©2020 BSH HOME APPLIANCES CORPORATION, ALL RIGHTS RESERVED LITHO DATE: 05/2020