

8-Inch Side/Rear Transition for Downdraft



Product Features

Performance

For use with VTD600P blower as an inline installation

Use with ducting or elbows with 8 inch round duct connection

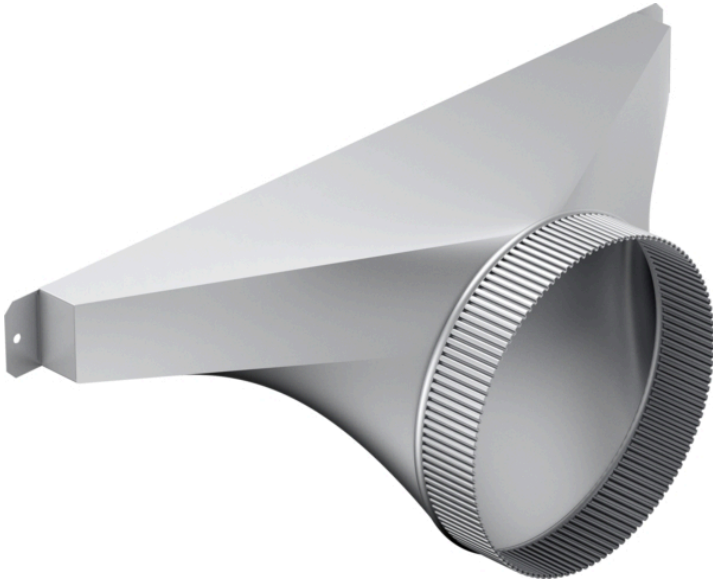
Can attach to downdraft housing or CVDUCT2 rectangular duct accessory

See installation guide for details

Design

Rectangular 1-7/8" x 19" transition to 8" round

Designed for use with UCVM30RS, UCVM36RS, UCVP36RS downdrafts

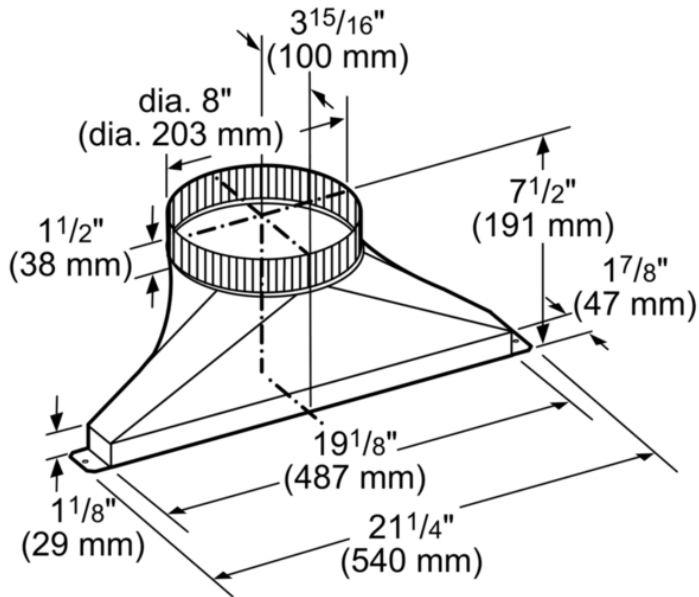


Notes: Please refer to installation instructions. Installation instructions are available at www.thermador.com. Specifications are correct at the time of printing. Thermador reserves the right to change product specifications and design at any time, without notice.

1 800 735 4328 | WWW.THERMADOR.COM | 1901 Main Street, Suite 600 Irvine, CA 92614

©2022 BSH HOME APPLIANCES CORPORATION, ALL RIGHTS RESERVED LITHO DATE: 05/2022

8-Inch Side/Rear Transition for Downdraft



measurements in inches (mm)

Product Features

	Accessory
Brand	Thermador
SKU	CVTSIDE8
Internal article number	00000000000777718
EAN code	825225920755
	3
	3
Standard number of units per pallet	20
UPC code	825225920755
Product image	MCSA02477409_i3922_1851069_CVTSIDE8_de

Technical Specification

Notes: Please refer to installation instructions. Installation instructions are available at www.thermador.com. Specifications are correct at the time of printing. Thermador reserves the right to change product specifications and design at any time, without notice.

1 800 735 4328 | WWW.THERMADOR.COM | 1901 Main Street, Suite 600 Irvine, CA 92614

©2022 BSH HOME APPLIANCES CORPORATION, ALL RIGHTS RESERVED LITHO DATE: 05/2022