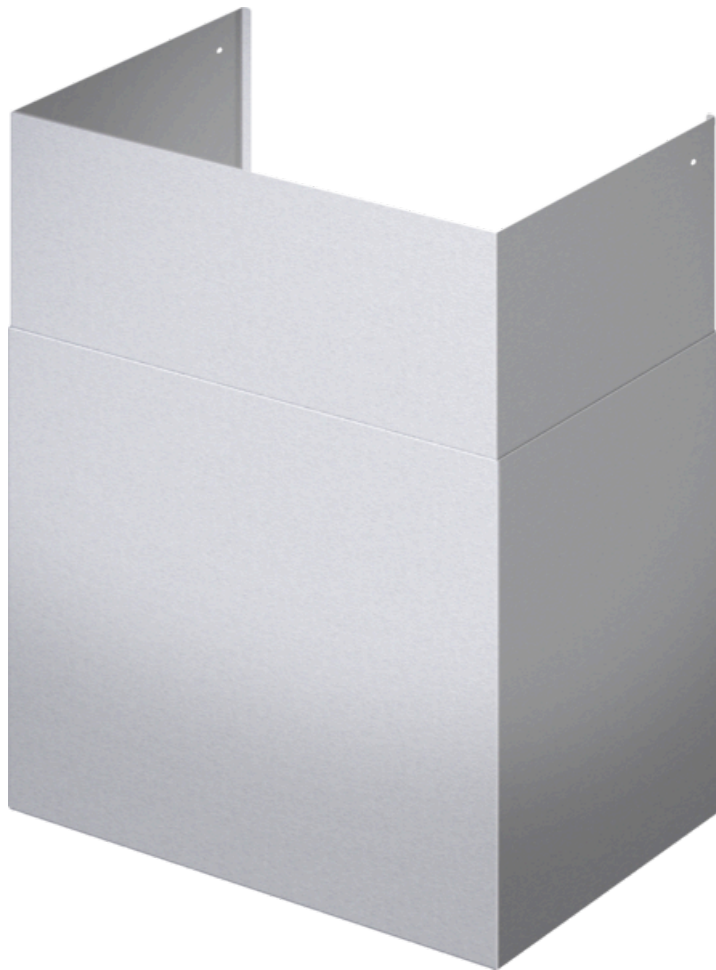


**28 x 65-Inch Duct Cover for Low-Profile Wall Hoods**  
DC48MTW



**Product Features**

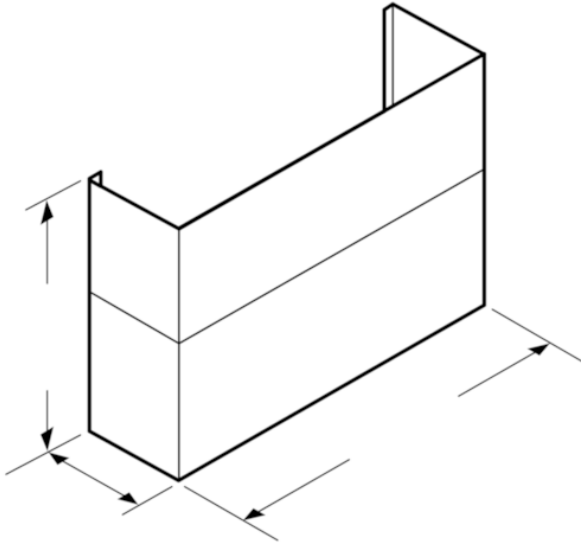


Notes: Please refer to installation instructions. Installation instructions are available at [www.thermador.com](http://www.thermador.com). Specifications are correct at the time of printing. Thermador reserves the right to change product specifications and design at any time, without notice.

1 800 735 4328 | [WWW.THERMADOR.COM](http://WWW.THERMADOR.COM) | 1901 Main Street, Suite 600 Irvine, CA 92614

©2020 BSH HOME APPLIANCES CORPORATION, ALL RIGHTS RESERVED LITHO DATE: 07/2020

**28 x 65-Inch Duct Cover for Low-Profile Wall Hoods**  
DC48MTW



**Product Features**

Product group	Accessory
Brand	Thermador
SKU	DC48MTW
Internal article number	00000000000718488
EAN code	825225956334
Product packaging dimensions (HxWxD) (in)	16 1/8" x 52 3/4" x 35 7/8"
Net weight (lbs)	51
Gross weight (lbs)	57
UPC code	825225956334
Name of product image	MCSA00782422_CHMHP36TSN_def.jpg

**Technical Specification**

Notes: Please refer to installation instructions. Installation instructions are available at [www.thermador.com](http://www.thermador.com). Specifications are correct at the time of printing. Thermador reserves the right to change product specifications and design at any time, without notice.

1 800 735 4328 | [WWW.THERMADOR.COM](http://WWW.THERMADOR.COM) | 1901 Main Street, Suite 600 Irvine, CA 92614

©2020 BSH HOME APPLIANCES CORPORATION, ALL RIGHTS RESERVED LITHO DATE: 07/2020