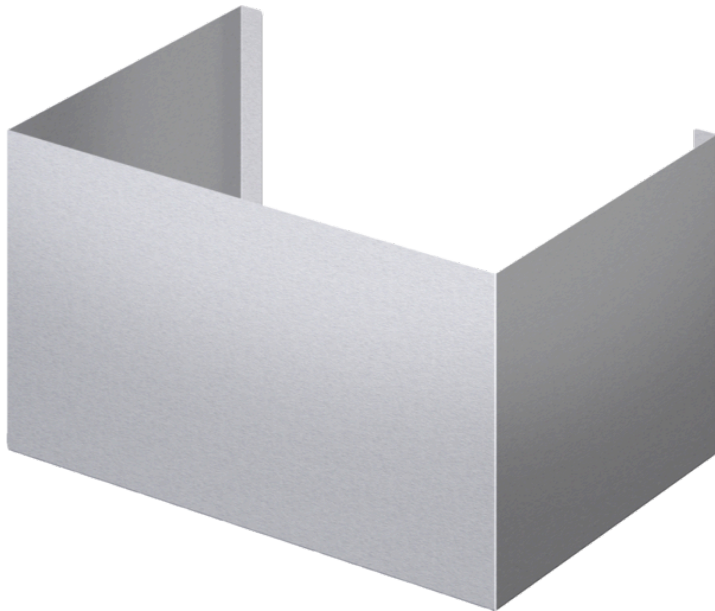


**16-Inch Tall Duct Cover for Low-Profile Wall Hood**  
DCT3016W



**Product Features**

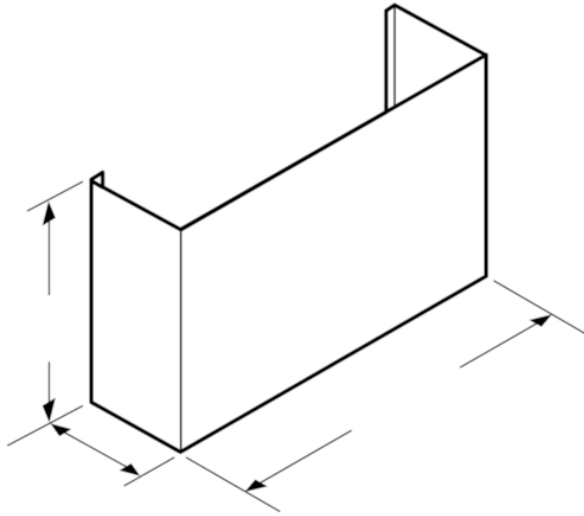


Notes: Please refer to installation instructions. Installation instructions are available at [www.thermador.com](http://www.thermador.com). Specifications are correct at the time of printing. Thermador reserves the right to change product specifications and design at any time, without notice.

1 800 735 4328 | [WWW.THERMADOR.COM](http://WWW.THERMADOR.COM) | 1901 Main Street, Suite 600 Irvine, CA 92614

©2020 BSH HOME APPLIANCES CORPORATION, ALL RIGHTS RESERVED LITHO DATE: 10/2020

**16-Inch Tall Duct Cover for Low-Profile Wall Hood**  
DCT3016W



**Product Features**

	<b>Accessory</b>
<b>Brand</b>	Thermador
<b>SKU</b>	DCT3016W
<b>Internal article number</b>	00000000000718489
<b>EAN code</b>	825225956280
<b>Product packaging dimensions (HxWxD) (in)</b>	17" x 33 7/8" x 20 7/8"
	17
	19
<b>UPC code</b>	825225956280
	MCSA00782419_CHMHP3612N_def

**Technical Specification**

Notes: Please refer to installation instructions. Installation instructions are available at [www.thermador.com](http://www.thermador.com). Specifications are correct at the time of printing. Thermador reserves the right to change product specifications and design at any time, without notice.

1 800 735 4328 | [WWW.THERMADOR.COM](http://WWW.THERMADOR.COM) | 1901 Main Street, Suite 600 Irvine, CA 92614

©2020 BSH HOME APPLIANCES CORPORATION, ALL RIGHTS RESERVED LITHO DATE: 10/2020